



Territory



At Ford, with such a long and successful motoring heritage behind us, we understand that everyone's lifestyle is different. What you look for in a vehicle will be different from the next person. It could be a vehicle that allows you to fit in all the family and hit the open road for the weekend, a zippy urban car that's perfect for tackling city traffic, or maybe you need a vehicle that allows you to play as hard as you work. We'd like to think that our family of vehicles is proof that Ford never stops looking forward, designing and engineering vehicles that catch your eye, are technologically advanced, consider the environment and keep you safe. In short, no matter what your lifestyle, you're sure to find a Ford that can help you live more of your life.



Irresistible Design:

Because everyone's idea of the perfect car is different, Ford has designed and engineered a family of exciting, athletic and sleek vehicles that look great inside and out.



Great to sit in, great to drive:

There's nothing quite like driving a Ford. That's because every Ford is built from the ground up to be exhilarating to drive, with high levels of interior comfort along with the very latest safety systems that help keep you in control and protect you and your passengers.



Sustainability:

Ford recognises that climate change is a significant global challenge. We have an ongoing commitment to caring for the environment in every facet of our business, including delivering alternative fuel solutions such as diesel and LPG.



Innovation and Technology:

Thinking smarter means a comfortable, safe and enjoyable drive every time you turn the key. Our innovative solutions to everyday tasks using the latest technology save you time and connect you to the digital world.



Built to Last:

Every Ford is built not just for today but for tomorrow as well. So, when you buy a Ford you enjoy the type of quality that you can rely on, day in day out. Not just the look and feel, but the way it performs and the way it lasts.



The family weekend camping expedition, weekly soccer practice, a 10th birthday party, a day trip to the beach, the list goes on. Your typical Australian family packs more into every week than ever before. That's why the new look Ford Territory, designed and built in Australia, endlessly adapts to your lifestyle. Boasting key exterior design changes, fresh interior environments, superior levels of safety and sedan-like handling, it's easy to see why Territory continues to be truly amazing.



Territory





Territory Ghia AWD shown in Kashmir with optional Genuine Ford carry bars.



Territory TS AWD shown in Lightning Strike.



Territory TS RWD shown with Launceston cloth trim seats with Miller suede bolsters in Cashmere.

DESIGN

A thoughtful interior design.

A clever interior designed for both pleasure and usability highlights the amazing mix of functionality and innovation.



Territory Ghia AWD shown.

The beauty of the Territory is that no matter whether it's a trip to the supermarket or you're making the trek up to the mountains for a family ski weekend, you can relax in an interior designed to change with your journey. The designers have carefully considered everyone's comfort and needs. Behind the wheel, the eye-catching instrument panel and cockpit gives you a really solid feeling of confidence when driving, while new seat materials, colour finishes and trim highlights, emphasise the attention to detail that has gone into every aspect of the fresh interior environments.



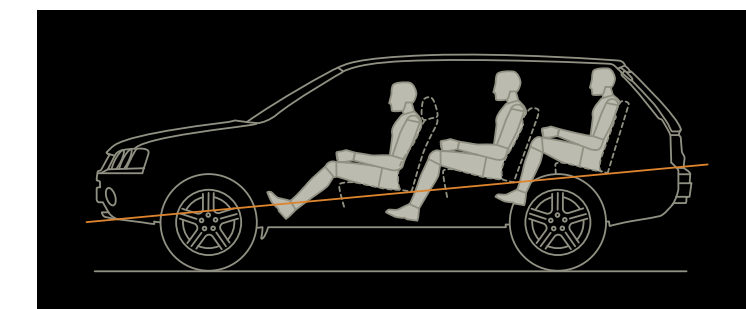
Territory Ghia AWD shown with Nudo print leather seat inserts in Shadow.

INTERIOR

An amazingly flexible interior.

The Territory interior endlessly adapts to your lifestyle and needs, from travelling comfort and storage to on-board entertainment.

Surfboards? Check. Wetsuits, towels, buckets and spades? Check. "Can I bring a friend?" Check. In most cars a straightforward trip to the beach can become pretty complicated. The Territory, however, handles everything with amazing ease. For starters, there's enough room for everyone thanks to Territory's 3rd row seating[#] which allows you to seat up to 7 adults comfortably. And talking of space, Territory has 5 child seat anchor points and allows you to fit 3 child seats across the 2nd row seat. Should you need extra space, the 2nd and 3rd row seats fold completely flat providing you with a huge storage area, while the split rear-lift gate glass allows two way rear access making it easy when you're loading gear in and out. The Alpine rear DVD system on Territory Ghia and Ghia Turbo means you can enjoy Hollywood on the highway, while the easy-to-reach audio and climate controls and integrated entertainment system, makes every journey more comfortable. Plus, wherever your journey takes you, the optional Satellite Navigation* will guide you there with a minimum of hassle.



Theatre seating.

Just because the kids want their friends to come along doesn't mean you need to take two cars. Territory's 3rd row seating[#] which allows you to seat up to 7 adults comfortably, means there's plenty of space for everyone and with each seating row raised, everybody enjoys greater visibility.

[#]3rd row seat optional on Territory TX. ^{*}Not available on Territory TX.



Territory Ghia AWD shown with Nudo print leather seat inserts in Cashmere.



With the third row seat* folded down, there's still more than enough storage space for a family on holiday.



The 60/40 split fold second row seating gives you the flexibility to accommodate passengers and cargo.



Second and third row seats* fold flat to create a huge cargo area.

*3rd row seat optional on Territory TX.



Alpine rear DVD system

There's nothing quite like entertainment on the road to help make those longer journeys go faster. The Alpine rear DVD system* standard on the Territory Ghia and Ghia Turbo can be played either through the premium audio system or via wireless headphones.

Satellite Navigation and Automatic Climate Control

Satellite Navigation* guides you to your destination without the hassles, while automatic climate control with dual zone temperature control is within easy reach* which means you'll get to your destination in amazing comfort.

Includes a 10.2" screen, 2 wireless headphones and remote control. Accessory iPod/MP3 audio input not available when Alpine rear DVD system fitted. *Optional on Territory TS, Ghia and Ghia Turbo. #Not available on Territory TX.



Territory Ghia AWD shown with optional Satellite Navigation and Bluetooth® mobile phone kit.



1. Handbag compartment
2. Removable rear rubbish bin
3. Front and rear door expandable drink bottle holder
4. Armrest bin and cup holder in 3rd row seat
5. Lockable security drawer under driver's seat

Loads of clever storage solutions.

Territory's list of storage compartments seems positively endless and provides a logical place for everything in your life. In fact, there are a minimum of 30 compartments, including 10 drink holders, a dishwasher-safe rubbish bin, and useful innovations such as a lockable compartment under the driver's seat to help protect valuables. In the rear you'll find a handy wet/dry compartment* that can protect other luggage from muddy sporting gear or a damp wetsuit.

*Standard on Territory TX and standard on TS, Ghia & Ghia Turbo when 5 seat configuration is chosen.



Travel in safer territory.

It's reassuring to know Territory's long list of safety features are looking after you and your family.

Whether you happen to be navigating the city traffic on your way to the kid's sports practice or heading down the highway for a weekend escape, Territory's legion of safety features make every journey a safer one. It starts with a command driving position that gives you a clear view of your surroundings, and is complemented with ergonomic features that minimise the time that your eyes are off the road, helping you avoid an accident.

At the heart of Territory's protection is the computer controlled Intelligent Safety System which, in an emergency, co-ordinates a response to enhance your protection. The system employs sensors which monitor the driver's seating position, seat belt status and crash severity. Should an accident occur, information is fed to the Advanced Restraints Module which instantly deploys safety technologies accordingly. Dual stage driver and front passenger airbags and side curtain airbags* activate as needed, front seat belt pretensioners reduce any slack and energy management seat belt retractors limit the amount of force on the occupant. Add to this a reinforced passenger safety cell, front crumple zones, ABS, collapsible steering column and an anti-intrusion brake pedal. All in all, Territory's innovative safety features give you and your family amazing peace of mind.



Reverse camera

In the Territory, safety starts before you even leave your driveway with a reverse camera* that provides visibility for things you can't see. The camera activates automatically when the car is engaged in reverse gear and features a fisheye lens capable of providing a 130° wide angle view up to 10 metres behind the vehicle.

*For front and 2nd row passengers. ^Standard on Territory TS, Ghia and Ghia Turbo.



Territory Ghia AWD shown in Ego.

Anti-lock Braking System (ABS).

Anti-lock Braking System (ABS) with Electronic Brakeforce Distribution (EBD) helps prevent the brakes from locking under heavy braking pressure, thereby increasing the amount of steering control in an emergency braking situation.

Intelligent Safety System.

In the event of an accident occurring, information is fed to the Advanced Restraints Module, which instantly deploys the appropriate safety technologies.

Driver Beltminder.

A warning alarm sounds when the vehicle is in motion but the driver's seat belt is not in use.

Airbags.

A range of airbags, including dual stage driver and front passenger and side curtain*, are designed to enhance your protection in the event of a crash.

Reverse sensing system.~

Automatically activates and provides a warning tone to assist the driver to reverse with greater accuracy.



Dynamic Stability Control.

Dynamic Stability Control (DSC) strengthens your connection to the road and helps you avoid the problems of oversteer and understeer. DSC tracks the vehicle's movement and then works in tandem with Traction Control and ABS to help keep the vehicle under control.



Power adjustable pedals*

Adjust to the desired height for added driver comfort and safety.

Decouples in a collision to help prevent leg injuries.

*For front and 2nd row passengers. ~Standard on Territory TS, Ghia and Ghia Turbo. Available as an accessory on TX. #Standard on Territory Ghia and Ghia Turbo.



Passenger safety cell.

Incorporating high strength steel for greater all round strength and protection, the safety cell greatly reduces intrusion into the passenger space, minimising the likelihood of occupant injuries.



Territory TS AWD shown in Seduce.

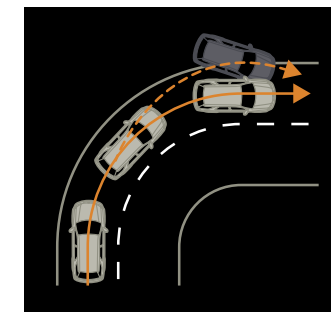
CONTROL

Experience amazing control.

Territory is designed, engineered and built in Australia specifically for Australian driving conditions so you have the freedom to take on any adventure you choose.

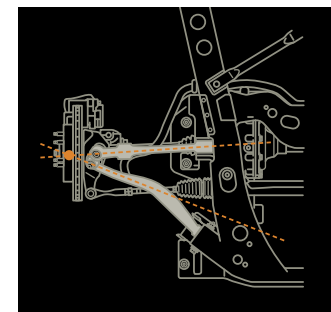
Life's an adventure and when you travel in a Territory, the sedan-like feel and precise handling in all conditions means you can tackle more adventures than ever, whether it happens to be taking on a muddy track, climbing a snow covered road or simply navigating the concrete jungle.

You have the choice of Rear-Wheel-Drive with its outstanding performance on the open road, or optional full time All-Wheel-Drive* so you can take on more challenging terrain. There's a range of standard cutting-edge technology at work in the Territory, such as Grade Control Logic to assist with braking and speed control when you're descending steep roads, Control Blade Independent Rear Suspension, ABS with Electronic Brakeforce Distribution and Dynamic Stability Control with Traction Control to minimise wheel slip.



Dynamic Stability Control.

Dynamic Stability Control (DSC) strengthens your connection to the road and helps you avoid the problems of oversteer and understeer. DSC tracks the vehicle's movement and then works in tandem with Traction Control and ABS to help keep the vehicle under control.



Virtual Pivot Control Link.

The feeling of precise control and agility you'll experience in the Territory comes from the technically advanced Virtual Pivot Control Link front suspension. It provides Territory with a 'no compromise' suspension offering great steering and control combined with excellent levels of comfort.



Traction Control.

Traction control minimises wheel slip by a combination of engine intervention and brake application by monitoring wheel slip and applying the optimum level of torque and/or brake. It works in conjunction with DSC and ABS to strengthen your connection to the road.



All-Wheel-Drive.

With the option of full time All-Wheel-Drive*, torque is delivered to all four wheels for all-road confidence providing the ability to get off the beaten track and enjoy more challenging journeys, not to mention having increased traction in slippery conditions and more precise cornering.

*AWD standard on Ghia Turbo.



Territory Ghia AWD shown in Mystic with optional Genuine Ford heavy duty 2,300kg towpack.

ENGINE

Amazing power and performance.

Territory's powerful engines deliver all the power and performance you need.

Towing the boat for a weekend of fishing? Easy. Need the confidence to overtake with ease on the highway? No drama. That's the beauty of Territory — its athletic stance is backed up by truly impressive performance. Of course power is only one aspect of performance. Once you're behind the wheel, you quickly discover Territory's precise handling makes for a driving experience you're more likely to associate with a sedan, not a vehicle that can seat up to seven people. And you can definitely count on Territory when it comes to towing, with the ability to pull loads up to 2300kg*. So whether you're hooking up the caravan for school holidays or a trailer loaded with dirt bikes, you'll find towing a breeze. Adding another level to the driving experience is the six speed Sequential Sports Shift automatic transmission on AWD models. It delivers smooth power to the engine and also gives you the choice to sit back and enjoy the drive, or to get more involved.



Amazing engines.

Designed, engineered and built in Australia, the 16 4.0L DOHC DI-VCT engine produces 190kW of power and an impressive 383Nm of torque yet still delivers remarkable fuel efficiency. For those wanting more feisty performance look no further than the turbo charged 4.0 litre DOHC DI-VCT 6-cylinder engine. This amazing engine delivers a massive 245kW of power and a whopping 480Nm of torque. In short, Territory provides you with performance to do what you want.



Amazing towing capacity.

Territory delivers the power to move big loads with towing capacity up to 2300kg*.



Amazing transmissions.

The German engineered ZF six speed automatic transmission with Sequential Sports Shift refines Territory's sedan-like feel to an amazing level. Standard across the All-Wheel-Drive range, this transmission enables smoother, slicker acceleration with the luxury of seamless gear changes. Calibrated specifically for Australian conditions, the six speed adapts to your driving style by considering acceleration rates, braking application and cornering speed, and then matches performance to suit.

*2,300kg is the maximum towing capacity using a Genuine Ford heavy duty tow pack with load levelling kit. For RWD models, an auxiliary transmission oil cooler must be fitted. To comply with these limits, occupants and/or luggage may need to be restricted. For greater passenger and luggage requirements, please consult your authorised Ford Dealer for details and/or refer to the Territory owner manual under 'Towing Capacities' for further guidance. Subject to State and Territory regulations.

When you first set eyes on the amazing Territory Ghia Turbo it's hard not to get a tingle of excitement. Territory Ghia Turbo has taken the unique blend of spirited sports performance and refined luxury to a whole new level. The imposing bonnet scoop is complemented by aggressive front end styling, while leather seat inserts, side-steps, an Alpine rear DVD system and 18" alloy wheels* are all standard features. All up, the Territory Ghia Turbo is even more amazing.

Ghia Turbo

*Set of five.



Territory Ghia Turbo shown in Seduce.



Territory Ghia Turbo shown in Seduce.

GHIA TURBO

Truly awesome power.

Territory Ghia Turbo's athletic road presence and formidable power gives you a thrill the moment you turn the key.

At the heart of the Territory Ghia Turbo is the immense power that lurks just beneath the bonnet. There lies a turbo charged 4.0 litre DOHC DIVCT 6 cylinder engine that delivers an amazing 245kW of power and 480Nm of torque. And tapping into that power effortlessly is the ZF 6 speed Sequential Sports Shift automatic transmission. To harness the power and for more braking control, Territory Ghia Turbo features enhanced front brakes with twin piston front callipers and larger diameter.

The luxurious sports interior features perforated leather seat inserts and sports steering wheel, while the stylish sports instrument cluster with Turbo Blue background, gives the cockpit a true performance feel.



Territory Ghia Turbo featuring perforated Nudo print leather seat inserts in Shadow with Shadow stitching.

TX

It's now even more amazing.

With your choice of AWD or RWD, the Territory TX includes standard body coloured bumpers, mirrors and door handles, cruise control and 17" alloy wheels.* Standard safety equipment includes Dynamic Stability Control, ABS with Electronic Brakeforce Distribution, driver and front passenger airbags, side curtain airbags* and driver beltreminder.



TS

It's loaded with features.

Territory TS has all the features of TX and then some, including a Premium Interior Command Centre with colour screen, dual zone automatic climate control, premium audio system with 6-disc in dash-CD player and reverse parking camera. It also includes a reverse sensing system, fog lamps and a 3rd row seat as standard. You can also choose to option satellite navigation.



*Set of four. *Ford 1st and 2nd row only.

GHIA

Amazing levels of comfort and luxury.

When you want to head off the beaten track without compromising creature comforts, look no further than the Territory Ghia. It boasts all the credentials of the TS and also includes luxury features such as leather seat inserts, 6-way power driver seat with memory, power adjustable pedals, Alpine rear DVD system*, 18" alloy wheels†, side steps, privacy glass‡ and LED side mirror turn indicators.



GHIA TURBO

Performance and luxury that's truly amazing.

Without doubt, the Territory Ghia Turbo is the ultimate blend of sporty performance and luxury. A highlight is the luxurious sports interior, which includes features such as leather seat inserts, steering wheel and gearshift, sports instrument cluster, unique 18" sports alloy wheels.† This is of course on top of all of the luxury features you'll find in the Territory Ghia, plus there's the added exhilaration of the 4.0L DOHC DIVCT Turbo I6 engine and AWD as standard.



*Includes a 10.2" screen, 2 wireless headphones and remote control. Accessory iPod/MP3 audio input not available when Alpine rear DVD system fitted. †Set of five. ‡For rear passengers and back windows.



RANGE

An amazing choice.

With an expansive selection of models and accessories. Territory offers you amazing freedom of choice.

So what are you looking for in your Territory? Maybe it's the breathtaking excitement that only a Territory Ghia Turbo delivers. Or you might need the extra seating so all the kids and their friends can enjoy the fun. Or maybe you'd prefer to tackle the high road in the height of luxury. And there are those whose needs mean they prefer Rear-Wheel-Drive to All-Wheel-Drive. Everybody's needs are different, but with such a wide choice of models and accessories, you'll find the amazing Territory range has a vehicle that'll suit you perfectly.

Territory (Available in RWD or AWD)



Territory TX

Safety equipment (DSC, ABS with EBD, driver and front passenger airbags, side curtain airbags,* driver belt minder) • Cruise control, power windows and mirrors • Body coloured bumpers, mirrors and door handles • 17" alloy wheels[†]



Territory TS

Dual zone automatic climate control • Premium audio system with 6 disc in dash CD player • Fog lamps • 17" alloy wheels[†] • Reverse sensing system and reverse parking camera • Leather wrapped steering wheel, handbrake and Sequential Sports Shifter • 3rd row seat with 2nd row seat slide adjust



Territory Ghia

Leather seat inserts • 6-way power driver seat with memory • Electrochromatic rear vision mirror • Power adjustable pedals • Alpine rear DVD system • 18" alloy wheels[†] • Side steps • LED side mirror turn indicators

Territory Ghia Turbo (AWD)



Territory Ghia Turbo

Bonnet scoop and fog lamps • 245kW turbocharged engine with 6-speed automatic transmission • Full time All-Wheel-Drive • 18" sports alloy wheels[†] • Sports leather seat inserts, steering wheel and gearshift • Sports instrument cluster

*For 1st and 2nd row seats only. [†]Set of four. [‡]Set of five.



Exterior colours.



Winter White



Lightning Strike*



Kashmir**



Harmony*



Ego*



Mystic*



Steel*



Sensation*



Velvet*



Seduce*



Silhouette*

MODEL	TX	TS	Ghia	Ghia Turbo
EXTERIOR COLOUR				
Winter White	A	A	A	A
Lightning Strike*	A	A	A	A
Kashmir**	A	A	A	A
Ego*	A	A	A	A
Steel*	A	A	A	A
Seduce*	-	A	A	A
Silhouette*	A	A	A	A
Sensation*	A	A	A	A
Velvet*	-	A	A	A
Mystic*	-	A	A	A
Harmony*	A	A	A	A

A - Available. - - Not available.

*Prestige colours are an optional extra that incur an additional charge on TX and TS. ^Kashmir ends July, 2009.

Interior trims.



Territory Ghia shown with optional Bluetooth® mobile phone kit.

TX



Trek Shadow cloth trim seats with Dakota Shadow bolsters

TS



Launceston Shadow cloth trim seats with Miller suede Shadow bolsters

TS No cost option



Launceston Cashmere cloth trim seats with Miller suede Cashmere bolsters

Ghia



Nudo print leather seat inserts in Shadow

Ghia No cost option



Nudo print leather seat inserts in Cashmere

Ghia Turbo



Perforated Nudo print leather seat inserts in Shadow with Shadow stitching

VEHICLE PERSONALISATION

Tailor your Ford Territory to your individual needs.

Get the most from your Ford Territory with a range of useful, convenient and well designed accessories.

With a vehicle that gives you the freedom to go anywhere and do just about anything, it is little wonder the choice of Territory accessories seems endless. What's more, the Ford Vehicle Personalisation accessory range displays the same level of innovation and clever thinking that we put into the vehicle itself. So whether you're looking to entertain the family, enhance the sporty look of your Territory or add accessories to meet the needs of your active lifestyle, you'll find the Territory range has it covered.



Territory TX AWD shown in Lightning Strike with optional Genuine Ford carry bars, canoe/kayak holder and side steps.

Choose from an amazing list of accessories designed for life's endless possibilities.

As you might expect, the range of accessories for the Territory is pretty extensive, because this is a vehicle that lets you do so much. Whether you're looking to enhance your Territory with practical accessories that allow you to carry bikes, kayaks or skis, or you want to protect your interior with waterproof seat covers or a cargo liner, there are solutions for all of your needs.



Bluetooth® mobile phone kit.
Make and receive mobile phone calls hands-free so you needn't take your eyes off the road. Operated through the steering wheel mounted controls.



iPod®/MP3 Audio input.
Take all your favourite tunes with you. Connect your iPod® or MP3 player and play songs through the car's audio system. Not available on Ghia or Ghia Turbo.



Futuris Rear Headrest DVD System (single or dual slot).
A great way to keep the kids entertained on long journeys. Includes remote control.



Garmin Nuvi portable Satellite Navigation Systems.
The easy-to-read navigation systems give you clear directions to your destination. Garmin Nuvi 760 portable satellite navigation system shown.



Side Steps.
Made from strong, lightweight aluminium, the side steps provide easy access into the vehicle and ideal for using as a step when loading items onto the optional carry bars.



Carry Bars.
Easy to fit and remove, lockable and made from strong, lightweight aluminium, these carry bars have a maximum carrying capacity of 80kg. Suitable for bike carrier, canoe/kayak holder, ski/snowboard carrier and luggage boxes (all sold separately). Available in a black or silver finish.



Cargo swing net.
Convenient storage solution that minimises the risk of items moving during transit. Easy to install and remove.



Alloy scuff plate inserts.
Set of four polished aluminium scuff plate inserts take refinement to another level. Also available in a sporty acrylic finish.



Intelligent Bar System.
Fully integrated with the vehicle's Intelligent Safety System and dual stage front airbag system and side curtain airbags. Available in black or grey.



Ski/snowboard carrier.
Perfect for carrying skis, snowboards or wakeboards. Lockable with soft rubber padding to help prevent damage to the skis. Accommodates up to 5 pairs of skis.



Roof luggage box.
Enjoy even more carrying capacity and flexibility. Fully lockable and can be opened from either side.



Carpet Mats.
Enhance your vehicle's appearance with perfectly colour matched mats that help protect your vehicle's interior.

ACCESSORIES – AVAILABILITY BY MODEL

ACCESSORIES - EXTERIOR STYLING	TX	TS	Ghia	Ghia Turbo
Spoiler	A	A	A	A
Side steps	A	A	S	S
EGR Integrated Fender Flare with Silver Side Steps ¹	A	A	-	-
EGR Integrated Fender Flare with Black Side Steps ¹	A	A	-	-
Alloy wheel lock nut set	A	A	A	A
Mullins - Haze 18" alloy wheels ^{1,2,3}	-	-	-	A
Mullins - Haze Chrome 18" alloy wheels ^{1,2,3}	-	-	-	A
Mullins - Raker Chrome 18" alloy wheels ^{1,2,3}	-	-	-	A
Mullins - Stealth Chrome 18" alloy wheels ^{1,2,3}	-	-	-	A
Mullins - Subb Chrome 18" alloy wheels ^{1,2,3}	-	-	-	A
Mullins - Tease Chrome 18" alloy wheels ^{1,2,3}	-	-	-	A
ACCESSORIES - EXTERIOR PROTECTION				
Bonnet protector - Clear, Chrome or Tinted	A	A	A	A
Dust deflector	A	A	A	A
Fog lamp kit	A	-	-	-
Fog lamp guards	A	A	A	A
Headlamp guards	A	A	A	A
Intelligent Bar System - Black	A	A	A	A
Intelligent Bar System - Grey	A	A	A	A
Licence plate covers	A	A	A	A
Lights on feature	A	A	A	A
Mudspats - front /rear	A	A	A	A
Sump guard	A	A	A	-
Weathershields - Bubble - left/right	A	A	A	A
Weathershields - Bubble - Rear	A	A	A	A
Weathershields - Slimline - front/rear ⁴	A	A	A	A
ACCESSORIES - INTERIOR STYLING				
Leather sports steering wheel	A	-	-	-
Leather Sequential Sports Shifter ⁵	A	-	-	-
Scuff plate inserts - alloy or sports	A	A	A	A
ACCESSORIES - INTERIOR COMFORTS AND STORAGE				
Cargo liner, cargo retention net, cargo organiser or cargo hammock net ⁶	A	A	A	A
Cargo swing net	A	A	A	A
Carpet mats - Cashmere (set of three)	A	A	A	A
Carpet mats - Shadow (set of three)	A	A	A	A
Dashmat	A	A	A	-
Load area cargo shelf	A	A	A ⁷	A ⁷
Pollen Filter	A	A	A	A
Rubber floor mats - (set of four)	A	A	A	A
Smoker's pack	A	A	A	A
Waterproof seat covers - Front ⁸	A	A	A	A
Waterproof seat covers - Rear ⁹	A	A	A	A
Window shades - set of two or set of three	A	A	A	A

S – Standard. O – Factory Option that can be ordered before a vehicle is manufactured. A – Accessory that can be added at any time. - – Not Available.

1. This accessory is a Supplier Branded Accessory and is not manufactured or warranted by Ford. The warranty is provided by the manufacturer of the accessory. Contact your authorised Ford Dealer for details of the manufacturer's warranty applicable to this accessory. 2. Wheels and tyres sold separately. 3. It is recommended that tyres matching original equipment specification be fitted to Mullins alloy wheels. 4. Left and right front weathershields sold separately, each as a set of two. 5. Available for 4-speed RWD models only. 6. Not compatible with 3rd row seat. 7. Standard on 5 seater model. Available as a Genuine Ford Accessory on 7 seater model. 8. Driver's and passenger's waterproof seat covers are sold separately. 9. Not available for 3rd row seat. 10. Only suitable for Bluetooth® compatible phones. 11. iPod® or MP3 player not included. iPod® is a trademark of Apple Computers Inc., registered in the USA and other countries. 12. Attaches to Genuine Ford carry bars (sold separately). 13. Attaches to Rhino-Rack Sportz carry bars (sold separately). 14. 1,600kg is the maximum towing capacity using a Genuine Ford tow pack. To comply with these limits, occupants and/or luggage may need to be restricted. For greater passenger and luggage requirements, please consult your authorised Ford Dealer for details and/or refer to the Territory owner manual under 'Towing Capacities' for further guidance. Subject to State and Territory regulations. 15. 2,300kg is the maximum towing capacity using a Genuine Ford heavy duty tow pack with load levelling kit. For RWD models, an auxiliary transmission oil cooler must be fitted. To comply with these limits, occupants and/or luggage may need to be restricted. For greater passenger and luggage requirements, please consult your authorised Ford Dealer for details and/or refer to the Territory owner manual under 'Towing Capacities' for further guidance. Subject to State and Territory regulations.

ACCESSORIES - IN CAR ELECTRICAL ENTERTAINMENT	TX	TS	Ghia	Ghia Turbo
Auxiliary audio plug in	A	A	A	A
Bluetooth® mobile phone kit ¹⁰	A	A	A	A
CD wallet	A	A	A	A
Child activity organiser	A	A	A	A
iPod®/MP3 audio input ¹¹	A	A	-	-
Mobile phone presenter	A	A	A	A
Fridge Day Tripper 15L	A	A	A	A
Fridge 49 Litre Kit	A	A	A	A
Fridge Bag - 49L	A	A	A	A
Fridge power adaptor	A	A	A	A
Console Insul-Bag	A	A	A	A
Garmin Nuvi 255/255W portable satellite navigation system ¹	A	A	A	A
Garmin Nuvi 260/260W portable satellite navigation system ¹	A	A	A	A
Garmin Nuvi 265/265W portable satellite navigation system ¹	A	A	A	A
Garmin Nuvi 760 portable satellite navigation system ¹	A	A	A	A
Garmin Traffic Receiver ¹	A	A	A	A
REX DVD Entertainment System ¹	A	A	-	-
REX Games Adaptor and Games Bag ¹	A	A	-	-
Futuris rear headrest DVD system - single or dual slot ¹	A	A	-	-
ACCESSORIES - SAFETY AND SECURITY				
Alarm	A	A	A	A
Fire extinguisher 1kg	A	A	A	A
First aid kit	A	A	A	A
Reverse sensing system	A	S	S	S
Cargo barrier ⁶	A	A	A	A
Safety triangle	A	A	A	A
ACCESSORIES - TOWING AND CARRYING				
Carry bars	A	A	A	A
Bike carrier or canoe/kayak holder or ski/snowboard carrier ¹²	A	A	A	A
Roof luggage basket ¹²	A	A	A	A
Roof luggage cover - soft ¹²	A	A	A	A
Roof luggage box - 375L ¹²	A	A	A	A
Rhino-Rack Sportz carry bars ¹	A	A	A	A
Rhino-Rack alloy tray luggage carrier ^{1,13}	A	A	A	A
Rhino-Rack luggage carrier - small or medium ^{1,13}	A	A	A	A
Rhino-Rack roof top bike carrier ^{1,13}	A	A	A	A
Rhino-Rack locking ski & snowboard carriers - 2pr, 4pr or 6pr ^{1,13}	A	A	A	A
Rhino-Rack fishing rod carrier ^{1,13}	A	A	A	A
Rhino-Rack universal holder ^{1,13}	A	A	A	A
Rhino-Rack S400 kayak/canoe carrier ^{1,13}	A	A	A	A
Rhino-Rack Explorer series kayak carrier ^{1,13}	A	A	A	A
Rhino-Rack RX or RXX carrier ^{1,13}	A	A	A	A
Towpack - standard 1,600kg (inc towbar, towball and wiring) ¹⁴	A/O	A/O	A/O	A/O
Towpack - heavy duty 2,300kg (inc towbar, towball, wiring and load levelling kit) ¹⁵	A	A	A	A

SPECIFICATIONS AND OPTIONS

For full specifications and options visit ford.com.au

ENGINE	TERRITORY TX, TS & GHIA		GHIA TURBO
Engine type	4.0L DOHC DIVCT I6		4.0L DOHC DIVCT Turbo I6
Engine size (cc)	3984		3984
Compression ratio	10.3:1		8.7:1
Max. power (DIN)	190kW @ 5250rpm		245kW @ 5250rpm ¹
Max. torque (DIN)	383Nm @ 2500rpm		480Nm @ 2000rpm ¹
No. of valves	24		24
Bore x stroke	92.26mm x 99.31mm		92.26mm x 99.31mm
Injection	Sequential multipoint electronic fuel injection		
Engine management	Powertrain control module incorporating electronic throttle control		
SUSPENSION			
Front	Virtual Pivot Control Link front suspension		
Rear	Control Blade Independent Rear Suspension		
TRANSMISSION RATIOS	RWD	AWD	GHIA TURBO
1st gear	2.5	4.171	4.171
2nd gear	1.49	2.34	2.34
3rd gear	1.00	1.521	1.521
4th gear	0.675	1.143	1.143
5th gear	-	0.867	0.867
6th gear	-	0.691	0.691
Reverse	2.073	3.403	3.403
Final drive ratio	3.73:1	3.46:1	3.46:1
FUEL	RWD	AWD	GHIA TURBO
Fuel tank capacity (L)	75	75	75
Combined fuel consumption - ADR 81/02 (L/100km - rounded) ²	TX	11.6 (with 5 seats), 12.0 (with 7 seat option)	12.5 (with 5 or 7 seats)
	TS	11.6 (with 5 seat option), 12.0 (with 7 seats)	12.5 (with 5 or 7 seats)
	Ghia	12.0 (with 5 or 7 seats)	12.5 (with 5 seat option), 12.9 (with 7 seats)
	Ghia Turbo	-	-
Recommended fuel	ULP	ULP	ULP or PULP
BRAKES	RWD	AWD	GHIA TURBO
Front	Vented disc brakes with twin piston caliper		Large vented disc brakes with twin piston calipers
Rear	Vented rotor with single piston caliper		
TOWING CAPACITIES (kg)			
Standard towpack	1600 ³		
Heavy duty towpack	2300 ⁴		
Maximum towball download - standard towpack 1600kg	160 ³		
Maximum towball download - heavy duty towpack 2300kg	230 ⁴		
Maximum towing capacity - unbraked trailer	750		
Maximum towing capacity - braked trailer	2300 ⁴		
Rear gross axle load rating when towing	1530		
EXTERIOR DIMENSIONS (mm)	TERRITORY TX, TS & GHIA		GHIA TURBO
Overall length	4856		4856
Overall width (excluding mirrors)	1898		1898
Overall height	1714		1714
Wheelbase	2842		2842
Front track	1626		1626

EXTERIOR DIMENSIONS (mm) continued	TERRITORY TX, TS & GHIA	GHIA TURBO
Rear track	1597	1597
Front overhang	926	926
Rear overhang	1088	1088
Approach angle	23°	23°
Departure angle	19.8°	17.7°
Ground clearance	179	179
INTERIOR DIMENSIONS (mm)	TERRITORY TX, TS & GHIA	GHIA TURBO
Front headroom	1074	1074
Front legroom	1122	1122
Front shoulder room	1548	1548
Front hiproom	1525	1525
2nd row legroom (5 seater)	1041	1041
2nd row headroom (5 seater)	1006	1006
3rd row legroom	853	853
3rd row headroom	926	926
LUGGAGE CAPACITY (L)	TERRITORY TX, TS & GHIA	
5 Seater (behind 2nd row)	1153L	
MINIMUM TURNING CIRCLE (m)	TERRITORY TX, TS & GHIA	
Diameter kerb-to-kerb	11.4	

ENGINE & TRANSMISSION	TX RWD	TX AWD	TS RWD	TS AWD	Ghia RWD	Ghia AWD	Ghia Turbo AWD
4.0L DOHC DI-VCT I6	S	S	S	S	S	S	-
4.0L DOHC DI-VCT Turbo I6	-	-	-	-	-	-	S
4-Speed automatic transmission with Sequential Sports Shift (SSS)	S	-	S	-	S	-	-
ZF 6-speed automatic transmission with Sequential Sports Shift (SSS)	-	S	-	S	-	S	S

KERB WEIGHT (kg)	TX RWD	TX AWD	TS RWD	TS AWD	Ghia RWD	Ghia AWD	Ghia Turbo AWD
Kerb mass - 5 seater ⁵	1967	2054	1976	2058	2011	2093	2138
Kerb mass - 7 seater ⁶	2003	2090	2012	2093	2046	2127	2173

RIDE AND HANDLING	TX RWD	TX AWD	TS RWD	TS AWD	Ghia RWD	Ghia AWD	Ghia Turbo AWD
Virtual Pivot Control Link Front Suspension	S	S	S	S	S	S	S
Control Blade Independent Rear Suspension	S	S	S	S	S	S	S
17" x 7.5" 5 Spoke alloy wheels - P235/60 R17 tyres ⁷	S	S	-	-	-	-	-
17" x 7.5" 10 spoke alloy wheels - P235/60 R17 tyres ⁷	-	-	S	S	-	-	-
18" x 7.5" 10 spoke alloy wheels - P235/55 R18 tyres ⁸	-	-	-	-	S	S	-
18" x 7.5" 5 spoke alloy wheels - P235/55 R18 tyres ⁸	-	-	-	-	-	-	S
Full size steel spare wheel	S	S	S	S	-	-	-
Matching alloy spare wheel	-	-	-	-	S	S	S

EXTERIOR	TX RWD	TX AWD	TS RWD	TS AWD	Ghia RWD	Ghia AWD	Ghia Turbo AWD
Prestige paint	O	O	O	O	NCO	NCO	NCO
Front fog lamps	-	-	S	S	S	S	S
Side mirror turn indicators	-	-	-	-	S	S	S
Side Steps	-	-	-	-	S	S	S
Privacy Glass ⁹	-	-	-	-	S	S	S
Roof carry bar rails	S	S	S	S	S	S	S
Towpack - standard 1600kg	O/A	O/A	O/A	O/A	O/A	O/A	O/A

S – Standard. O – Factory options that can be ordered before a vehicle is manufactured. A – Accessory that can be added at any time. NCO – No Cost Options that can be ordered before a vehicle is manufactured. -- Not available.

1. Power and torque figures measured using premium unleaded fuel (95 RON). 2. Figures obtained from controlled tests using ADR 81 / 02. Actual fuel consumption will depend on many factors including driving habits, prevailing conditions and your vehicle's equipment, condition and use. 3. 1,600kg is the maximum towing capacity using a Genuine Ford tow pack. To comply with these limits, occupants and/or luggage may need to be restricted. For greater passenger and luggage requirements, please consult your authorised Ford Dealer for details and/or refer to the Territory owner manual under 'Towing Capacities' for further guidance. Subject to State and Territory regulations. 4. 2,300kg is the maximum towing capacity using a Genuine Ford heavy duty tow pack with load levelling kit. For RWD models, an auxiliary transmission oil cooler must be fitted. To comply with these limits, occupants and/or luggage may need to be restricted. For greater passenger and luggage requirements, please consult your authorised Ford Dealer for details and/or refer to the Territory owner manual under 'Towing Capacities' for further guidance. Subject to State and Territory regulations. 5. Approximate kerb (unladen) mass based on standard specification with a full tank of fuel and no occupants or luggage. 6. Approximate kerb (unladen) mass based on standard specification with a full tank of fuel and no occupants or luggage and where 3rd row seat is fitted. 7. Set of four. 8. Set of five. 9. For rear passenger and back windows.

INSTRUMENTATION AND CONTROLS	TX RWD	TX AWD	TS RWD	TS AWD	Ghia RWD	Ghia AWD	Ghia Turbo AWD
Interior Command Centre (ICC)	S	S	–	–	–	–	–
Premium ICC with dual zone climate control, large colour screen and trip computer	–	–	S	S	S	S	S
Trip computer (Including: trip time, fuel used, average fuel economy, instantaneous fuel economy, average speed, distance to empty)	S	S	S	S	S	S	S
Cruise control with steering wheel mounted controls	S	S	S	S	S	S	S
Leather wrapped steering wheel	–	–	S	S	S	S	–
Sports leather wrapped steering wheel	–	–	–	–	–	–	S
COMFORT AND CONVENIENCE							
Air-conditioning	S	S	–	–	–	–	–
Automatic climate control with dual-zone temperature control	–	–	S	S	S	S	S
Front and rear power windows	S	S	S	S	S	S	S
Automatic headlamps ON/OFF feature	S	S	S	S	S	S	S
Power adjustable side mirrors	S	S	S	S	S	S	S
Power adjustable pedals	–	–	–	–	S	S	S
Electrochromatic rear vision mirror (auto-dimming)	–	–	–	–	S	S	S
Remote keyless entry with two remote control flip keys	S	S	S	S	S	S	S
SEATING							
5 seat capacity	S	S	NCO	NCO	NCO	NCO	NCO
7 seat capacity	O	O	S	S	S	S	S
Adjustable driver's seat lumbar support	S	S	S	S	S	S	S
Adjustable passenger's seat lumbar support	–	–	–	–	S	S	S
4-way power driver's seat	S	S	S	S	–	–	–
6-way power driver's seat with memory	–	–	–	–	S	S	S
60/40 split fold-down 2nd row seat back	S	S	S	S	S	S	S
2nd row flat fold seat capability	S	S	S	S	S	S	S
3rd row flat fold seat capability with 2nd row slide adjustment	O	O	S	S	S	S	S
AUDIO & VISUAL							
100 Watt audio system with LCD display screen and single slot CD	S	S	–	–	–	–	–
Premium audio system with colour screen & 6-disc in-dash CD, 150 watt amplifier & sub-woofer	–	–	S	S	S	S	S
Alpine rear DVD system including a 10.2" screen, 2 wireless headphones and remote control ¹⁰	–	–	–	–	S	S	S
Satellite navigation system	–	–	O	O	O	O	O
3 x auxiliary power sockets	S	S	S	S	S	S	S
SAFETY AND SECURITY							
Intelligent Safety System	S	S	S	S	S	S	S
Dual-stage driver and front passenger airbags	S	S	S	S	S	S	S
Side curtain airbags ¹¹	S	S	S	S	S	S	S
Pyrotechnic seatbelt buckle pretensioners ¹²	S	S	S	S	S	S	S
Advanced restraints module	S	S	S	S	S	S	S
Crash severity sensor	S	S	S	S	S	S	S
Driver's seat position sensor	S	S	S	S	S	S	S
Beltminder system ¹³	S	S	S	S	S	S	S
Dynamic Stability Control	S	S	S	S	S	S	S
Traction Control	S	S	S	S	S	S	S
Grade Control Logic	S	S	S	S	S	S	S

10. Accessory iPod*/MP3 audio input not available with Alpine rear DVD system. 11. For front and second row passengers. 12. Driver and front passenger only. 13. Driver seat only. 14. Standard when 5 seat configuration is chosen on TS, Ghia and Ghia Turbo. 15. Standard when 7 seat configuration is chosen on TX. 16. Standard on 5 seat models. 17. Standard when 5 seat configuration is chosen on Territory TS, Ghia and Ghia Turbo.

SAFETY AND SECURITY continued	TX RWD	TX AWD	TS RWD	TS AWD	Ghia RWD	Ghia AWD	Ghia Turbo AWD
Anti-lock Braking System	S	S	S	S	S	S	S
Electronic Brakeforce Distribution	S	S	S	S	S	S	S
Reverse sensing system	A	A	S	S	S	S	S
Reverse camera	–	–	S	S	S	S	S
Central locking - all doors (including liftgate and rear glass)	S	S	S	S	S	S	S
Child proof locks - rear doors	S	S	S	S	S	S	S
STORAGE							
Minimum of 30 interior storage compartments	S	S	S	S	S	S	S
Console							
Front trinet bin	S	S	S	S	S	S	S
Console cup holder x 2	S	S	S	S	S	S	S
Centre console bin and tray	S	S	S	S	S	S	S
Removable rear rubbish bin	S	S	S	S	S	S	S
Tissue holder	S	S	S	S	S	S	S
Instrument panel							
Glovebox	S	S	S	S	S	S	S
Instrument panel centre compartment	S	S	S	S	S	S	S
Instrument panel top tray	S	S	S	S	S	S	S
Rear and overhead							
Rear load floor compartment- large (wet/dry compartment) ¹⁴	S	S	–	–	–	–	–
Rear load floor compartment- small ¹⁵	–	–	S	S	S	S	S
Rear quarter trim compartment	S	S	S	S	S	S	S
Sunglasses holder incorporating reading lamps	–	–	S	S	S	S	S
3rd row seat storage							
Armrest bin x 2	S	S	S	S	S	S	S
Cup holder x 2	S	S	S	S	S	S	S
2nd row seat and door storage							
Map pocket x 2	S	S	S	S	S	S	S
Rear door expandable drink bottle holder x 2	S	S	S	S	S	S	S
Centre armrest cup holders x 2	S	S	S	S	S	S	S
Seat pockets x 2	S	S	S	S	S	S	S
1st row seat and door storage							
Lockable security drawer - under driver's seat	S	S	S	S	S	S	S
Handbag compartment x 2	S	S	S	S	S	S	S
Map pocket x 2	S	S	S	S	S	S	S
Front door expandable drink bottle holder x 2	S	S	S	S	S	S	S
OTHER							
Flat folding load floor	S	S	S	S	S	S	S
Cargo cover	A	A	A	A	A / S ¹⁶	A / S ¹⁶	A / S ¹⁶
Wet/dry reversible rear floor ¹⁷	S	S	–	–	–	–	–
Jack/handle and wheel chock storage	S	S	S	S	S	S	S
Cargo Retention Anchorages	S	S	S	S	S	S	S



Making your ownership experience even more rewarding.

A great car is just the beginning. We support you with a wide range of services that aim to make you one of the most satisfied vehicle owners in Australia.

Ford Solutions.™

When you first turn the key of your brand new Territory you want to do so without a care in the world. Our range of Ford Solutions products gives you that extra peace of mind. For more information about Ford Solutions, visit ford.com.au, or your participating Ford Dealer for further details on the plans that best suit your needs. Terms, conditions and eligibility criteria apply.

3 year/100,000km new car warranty.*

For three years or 100,000km, whichever comes first, your Ford is covered against any defects in factory materials or workmanship. This also applies to Genuine Ford Accessories you may have had fitted before you took delivery.

5 year warranty against perforation corrosion.#

It's reassuring to know that the original body of your gleaming new Ford is guaranteed against perforation corrosion for the first five years of its life. If perforation corrosion occurs, we'll fix it for free.

Want to contact us?

For answers to your questions, or help with any concern, contact our Customer Relationship Centre on 13 FORD (13 3673).

Running a fleet?

Our Ford Business Centre is available to assist fleet customers with information on Ford products and services. Call 1300 13 13 30.

Visit us on the web.

If you want more information on Ford or our entire product range, visit us on the Internet at ford.com.au

#Conditions and exclusions apply. See your authorised Ford Dealer for details.

This brochure is designed to provide you with a general introduction to the Ford Products (including available optional equipment) referred to, and should be read in conjunction with the latest specification sheet. Because of changes in conditions and circumstances Ford* reserves the right, subject to all applicable laws, at any time, at its discretion, and without notice, to discontinue or change the features, designs, materials, colours and other specifications and the prices of their products, and to either permanently or temporarily withdraw any such products from the market without incurring any liability to any prospective purchaser or purchasers. The latest specification sheet should be referred to for information on the availability, ordering and use of optional equipment. Always consult an authorised Ford Dealer for the latest information with respect to features, specifications, prices, optional equipment and availability before deciding to place an order. *FORD MOTOR COMPANY OF AUSTRALIA LIMITED. (A.B.N. 30 004 116 223) Registered Office: 1735 Sydney Road, Campbellfield, Victoria 3061, Australia. Printed April, 2009. FML5464eb



Territory Ghia AWD shown in Sensation with optional Genuine Ford carry bars and bike carrier.



ford.com.au