

LandCruiser 70



Please Note: information is accurate as at March 2023.

August 2020 to August 2022 production model shown. September 2022 production models onwards have updated specifications. Speak to your Dealer for more details. Specification and imagery are indicative and should only be used as a guide. Vehicle and accessory specification, features, colour and trim may differ at the time of vehicle delivery.



OH WHAT A FEELING

You'll feel it with every drive. In every twist and every turn. It's our unwavering commitment to move you, not only today, but well into tomorrow as we relentlessly reimagine the future of mobility.

With our eyes on the horizon, we're committed to creating a future where all of humankind is empowered with the freedom to move.

03	Exterior Design	11	Engine	17	Colours
06	Interior Design	12	Single-Cab	18	Accessories
07	Configurations	13	Double-Cab	21	Toyota Advantage
09	Interior grades	14	Wagon		
10	Safety	15	Troop Carrier		

Modern, purposeful with legendary strength.



The LandCruiser legend follows a path right back to 1957 and the Snowy Mountains Scheme. It was here the original LandCruiser forged its place in Australian folklore. Then through the years, as the work and demands got tougher,

LandCruiser got stronger. From the Bass Strait pipeline projects to the roughest rural, mining and construction sites, LandCruiser became the 'go to' vehicle you could always count on. Today, LandCruiser 70 Series are the uncompromising

workhorses of the LandCruiser line-up. Delivering legendary strength combined with muscled-up looks, stacks of grunt and a truckload of impressive features and comforts inside.

August 2020 to August 2022 production model shown. September 2022 production models onwards have updated specifications. Speak to your Dealer for more details.
Front cover: Single-Cab Cab-Chassis GXL model shown with optional Toyota Genuine tray body and under body tyre hanger – sold separately
This page: Single-Cab Cab-Chassis GXL model shown with optional Toyota Genuine tray body, steel bullbar and side rails – sold separately

A tough, work hardened physique.



The rugged good looks of the LandCruiser 70 Series are more than just skin deep. The tough steel body is built upon a full steel chassis to provide a strong stable platform.

Not only is the wide body design suitably muscular with real on-road presence, it also accommodates an awesome engine up front. And the A-pillar mounted snorkel helps your engine breathe better, particularly in dusty conditions.

That large, impressive looking front bumper is purposely designed to give a great approach angle, so you can maximise clearance when lumbering over tough terrain.

And there's plenty of glass area to maximise visibility and come nightfall, powerful halogen lights help show the way ahead.



Shaping up to the challenge



Regardless of the LandCruiser 70 you choose, you'll have a vehicle purpose built from the ground up to get stuck into the rough stuff.

The practical WorkMate in the Single-Cab and Double-Cab Cab-Chassis models, the Wagon and the Troop Carrier, is fitted with a black front bumper, radiator grille and mirrors.

16" alloy wheels come as standard on the GX and GXL Single-Cab, GXL Double-Cab Cab-Chassis and GXL Wagon grades.

All GXL models except the Troop Carrier feature over-fender flares and front wide mudguards as well as central locking. A chrome grille, roof drip moulding and bumper are all standard on

the GXL Single-Cab, Double-Cab Cab-Chassis, Wagon and the Troop Carrier models. These models, as well as WorkMate grades, also feature chrome door handles.

Comfort right up to the task

Whether you're doing a long haul behind the wheel or long hours on the tools, the interior features and comforts in LandCruiser 70 will help lighten the load.

The engine immobiliser is standard and helps ensure no-one drives your LandCruiser 70 without the nod from you. The lockable glove box also helps keep your valuables in place.

The standard audio system is controlled by a 6.1" colour touchscreen display with AM/FM tuner, USB input,¹ CD player with Bluetooth^{®1,2} connectivity to keep the music working overtime. The touchscreen display also features satellite navigation with SUNA™ traffic channel.^{3,4}

In the GXL, you'll also have the convenience of power windows and remote central locking.

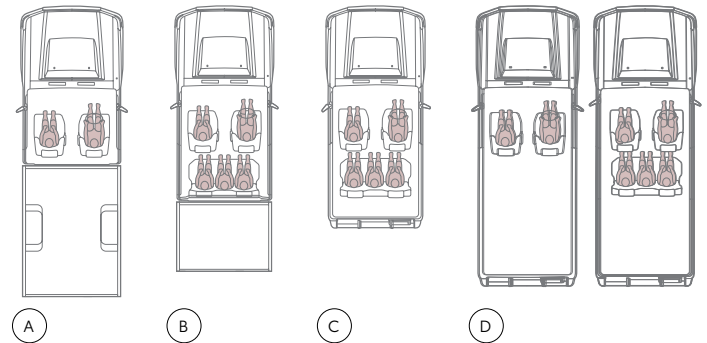
Built to work your way



With a trusty beast that goes almost anywhere, does almost anything, you'll also appreciate the flexibility to load it the way you need. Across the LandCruiser 70 Series, you'll find versatile seating and cabin arrangements that are designed to handle the demands of many different jobs and situations.

In the Double-Cab Cab-Chassis and Wagon models, you'll have enough room to seat five adults and throw in their gear as well as the dog. And when you need to haul the whole crew up to the coalface, Troop Carriers can carry two or five people.

Plus the wide opening rear doors on the Wagon and Troop Carrier make it a breeze to load people and heavy gear.



A Single-Cab Cab-Chassis – GXL and GX/WorkMate

B Double-Cab Cab-Chassis – GXL/WorkMate

C 5-seat Wagon – GXL/WorkMate

D 2-seat WorkMate and 5-seat GXL Troop Carrier

Images shown are for illustration purposes only. For full dimensions of the vehicle, please refer to toyota.com.au/landcruiser-70 for spec table.



August 2020 to August 2022 production model shown. September 2022 production models onwards have updated specifications. Speak to your Dealer for more details. Troop Carrier WorkMate model shown

Hardened outside, welcoming within.



Even when you're out battling the toughest jobs and terrain, inside you'll find LandCruiser 70 delivers the goods by combining functionality with comfort, as well as being equipped with a host of standard features.

The vinyl seating and vinyl flooring is designed to handle dust and mud and wipe down fast when the rough stuff is done. On the GXL you'll enjoy the extra comfort of fabric seat trim and carpet flooring.⁵ Whichever way you go, you'll have the luxury of seats offering deep cushioning to help soak up the bumps and reduce fatigue on long, hard days.



A GXL Double-Cab Cab-Chassis

B GXL Wagon shown – Image shown for illustrative purposes only. Fabric may vary.

Tough with a tender heart



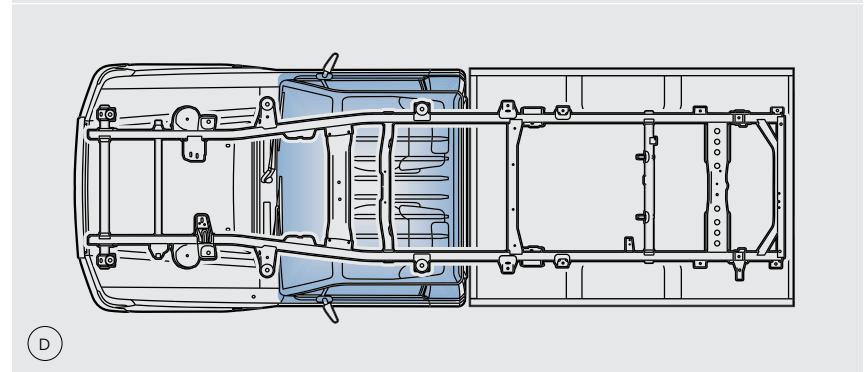
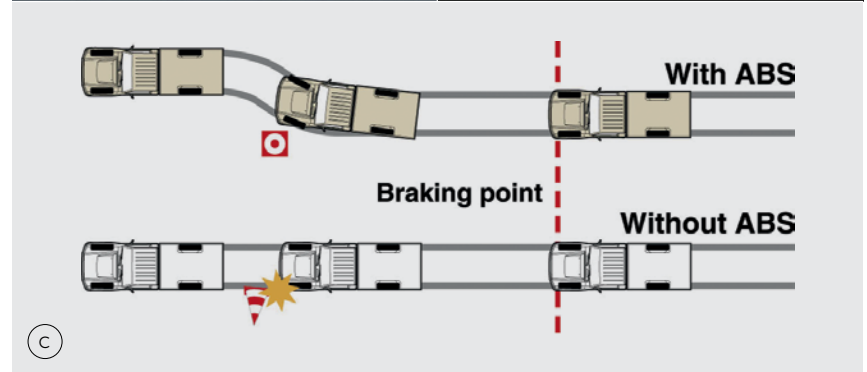
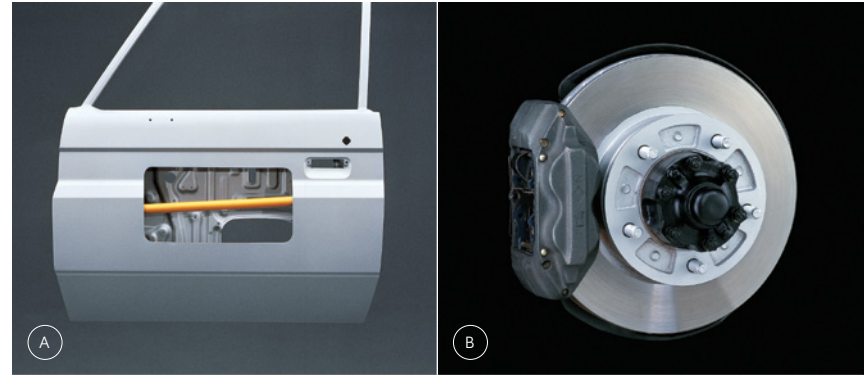
LandCruiser 70 Series boasts all the grunt and muscle you need to get into uncharted territory. But it also packs in a heap of advanced features to help get you safely home again.

If called upon, the big, powerful ventilated disc brakes all round are ready to slow things down in a hurry. Plus an Anti-lock Braking System is standard across the range.

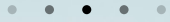
The collapsible steering column has been designed to help provide protection in real life emergency situations, whilst the side intrusion beams help protect you from side-on collisions. These no nonsense measures are further enhanced by driver and front passenger SRS airbags, as well as Emergency Locking Retractor seatbelts for the outer positions in the front cabin that also come standard across the range.

Not forgetting the little ones, Child Restraint System upper tether anchors allow the easy fitting of child seats in the 5-door Wagons.

- A Side impact beams
- B Disc brakes
- C Anti-lock Braking System (ABS)
- D Rigid frame and body structure



Real power, no sweat.



A real workhorse needs a big heart, and it'd be hard to find anything with more get-up and go than the LandCruiser 70 Series.

The 4.5L V8 turbo diesel engine delivers enough grunt to help make tough jobs easy. With 151kW of power coming on strong at just 3,400rpm, and a massive 430Nm of torque all the way from 1,200-3,200rpm, you get quick acceleration, big pulling-power on steep hills and muscle to haul heavy loads.

The variable vane turbocharger also provides greater response at lower engine speeds and with a 180L fuel tank available on the Troop Carrier, and the 130L tank on all other models, you're sure to go a long way.

Plus there's the latest fuel injection and technology including Exhaust Gas Recirculation to help LandCruiser 70 meet the Euro 5 emissions standards.

Then when it comes to harnessing such impressive power, the proven 5-speed manual transmission delivers smoothly across high and low range, even when faced with testing terrain and carrying some heavy loads.



Single-Cab Cab-Chassis



WorkMate

- 4.5L V8 turbo diesel engine
- 130L fuel tank
- 5-speed manual transmission
- 16" steel wheels
- Steel side steps
- Black front bumper, radiator grille and exterior mirrors
- Tilt and telescopic steering column
- Engine immobiliser
- Cruise control

- Active Traction Control
- Anti-lock Braking System
- 2-speaker single CD audio with manual antenna, Bluetooth^{®1,2} and MP3 compatibility
- 6.1" colour touchscreen display
- Satellite navigation with SUNA[™] traffic channel^{3,4}
- 12V accessory connector
- 2 USB charging ports¹
- USB multimedia input¹

- Pre-Collision Safety system with pedestrian and daytime cyclist detection

GX – In addition to, or in replacement of, WorkMate features:

- 16" alloy wheels
- Over-fender flares
- Front mudguards – wide
- Differential locks – optional

GXL – In addition to, or in replacement of, GX features:

- Chrome painted front bumper
- Aluminium side steps
- Power windows
- Central locking/remote keyless entry
- Variable intermittent wipers
- Differential locks
- Carpet flooring
- Cloth seats
- Multi-function clock

Single-Cab Cab-Chassis GXL model shown with optional Toyota Genuine tray body and under body tyre hanger – sold separately

Double-Cab Cab-Chassis



WorkMate

- 4.5L V8 turbo diesel engine
- 130L fuel tank
- 5-speed manual transmission
- 16" steel wheels
- Aluminium side steps
- Black front bumper, radiator grille and exterior mirrors
- Tilt and telescopic steering column
- Engine immobiliser
- Cruise control
- Active Traction Control

- Anti-lock Braking System
- 2-speaker single CD audio with manual antenna, Bluetooth^{®1,2} and MP3 compatibility
- 6.1" colour touchscreen display
- Satellite navigation with SUNA™ traffic channel^{3,4}
- 12V accessory connector
- 2 USB charging ports¹
- USB multimedia input¹
- Pre-Collision Safety system with pedestrian and daytime cyclist detection

GXL – In addition to, or in replacement of, WorkMate features:

- 16" alloy wheels
- Over-fender flares
- Chrome and painted front bumper
- Front mudguards – wide
- Front fog lamps
- Multi-function clock
- Power windows
- Differential locks
- Central locking/remote keyless entry
- Variable intermittent wipers
- Carpet flooring
- Cloth seats

Wagon



WorkMate

- 4.5L V8 turbo diesel engine
- 130L fuel tank
- 5-speed manual transmission
- 16" steel wheels
- Aluminium side steps
- Black front and rear bumper, radiator grille and exterior mirrors
- Tilt and telescopic steering column
- Engine immobiliser
- Cruise control

- Front and rear mudguards
- Active Traction Control
- Anti-lock Braking System
- 4-speaker single CD audio with manual antenna, Bluetooth^{®1,2} and MP3 compatibility
- 6.1" colour touchscreen display
- Satellite navigation with SUNA™ traffic channel^{3,4}
- 12V accessory connector
- 2 USB charging ports¹

- USB multimedia input¹
- All weather floor mats – front and rear
- Pre-Collision Safety system with pedestrian and daytime cyclist detection

GXL – In addition to, or in replacement of, WorkMate features:

- 16" alloy wheels
- Over-fender flares
- Front mudguards – wide
- Chrome and painted front

- and rear bumpers
- Front fog lamps
- Multi-function clock
- Power windows
- Central locking/remote keyless entry
- Differential locks
- Carpet flooring
- Cloth seats

Troop Carrier



WorkMate

- 4.5L V8 turbo diesel engine
- 180L fuel tank
- 5-speed manual transmission
- 16" steel wheels
- Steel side steps
- Front and rear mudguards
- Black front and rear bumper, radiator grille and exterior mirrors
- Tilt and telescopic steering column
- Engine immobiliser
- Cruise control
- Active Traction Control
- Anti-lock Braking System
- 2-speaker single CD audio with manual antenna, Bluetooth^{®1,2} and MP3 compatibility
- 6.1" colour touchscreen display
- Satellite navigation with SUNA[™] traffic channel^{3,4}
- 12V accessory connector
- 2 USB charging ports¹

- USB multimedia input¹
- Pre-Collision Safety system with pedestrian and daytime cyclist detection

GXL – In addition to, or in replacement of, WorkMate features:

- Chrome and painted front and rear bumpers
- Front fog lamps
- Aluminium side steps

- Multi-function clock
- Front power windows
- Central locking/remote keyless entry
- Variable intermittent wipers
- Differential locks
- 4 speakers
- Carpet flooring – rear vinyl
- Cloth seats



August 2020 to August 2022 production model shown. September 2022 production models onwards have updated specifications. Speak to your Dealer for more details. Single-Cab Cab-Chassis GXL model shown with optional Toyota Genuine tray body and under body tyre hanger – sold separately

Land your perfect colour

From the red centre, to the bush or down by the sea, the colours of Australia are wonderfully vibrant and varied. And so are the six knockout colours⁶ for LandCruiser 70 Series, ready for you to blend in or stand out from your chosen terrain.



○ French Vanilla 058



○ Silver Pearl⁷ 1F7



● Graphite⁷ 1G3



● Merlot Red⁷ 3Q3



● Sandy Taupe 4E9



● Midnight Blue 8H6

COLOUR AND TRIM GUIDE⁷

Model	Grade	Interior Seat Trim	French Vanilla	Silver Pearl ⁷	Graphite ⁷	Merlot Red ⁷	Sandy Taupe	Midnight Blue
Single-Cab Cab-Chassis	WorkMate	Grey vinyl (LF10)	●	●	●	●	●	●
	GX	Grey vinyl (LF10)	●	●	●	●	●	●
	GXL	Grey fabric (FJ10)	●	●	●	●	●	●
Double-Cab Cab-Chassis	WorkMate	Grey vinyl (LC10)	●	●	●	●	●	●
	GXL	Grey fabric (FF10)	●	●	●	●	●	●
Troop Carrier	WorkMate	Grey vinyl (LB10)	●				●	●
	GXL	Grey fabric (FD10)	●				●	●
Wagon	WorkMate	Grey vinyl (LE10)	●	●	●	●	●	●
	GXL	Grey fabric (FG10)	●	●	●	●	●	●

Accessories for every situation

Whether you're loading the tray at work, or towing your camper on the weekend, you can be sure that Toyota Genuine Accessories⁸ are designed to be the perfect fit for your LandCruiser 70.

Our development program ensures that the accessories are made to work with the vehicle as part of an integrated system, with many components developed years before vehicle launch. With an accessories range tested to perform in the toughest Australian conditions and backed by our Toyota Warranty,⁹ you can confidently kit up your vehicle to meet the demands of your lifestyle.

So, roll up your sleeves and make your LandCruiser 70 ready for anything with Toyota Genuine Accessories.

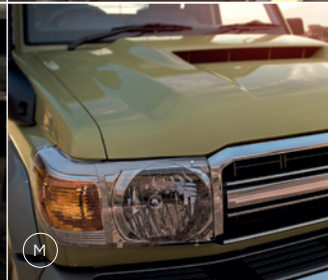
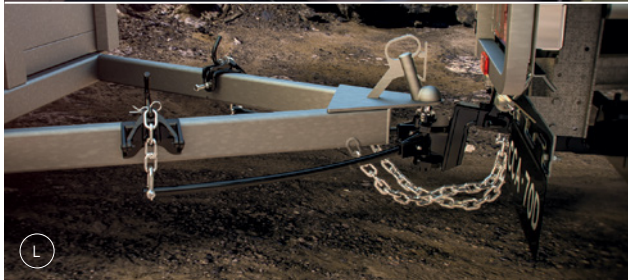
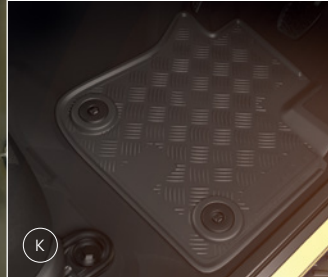
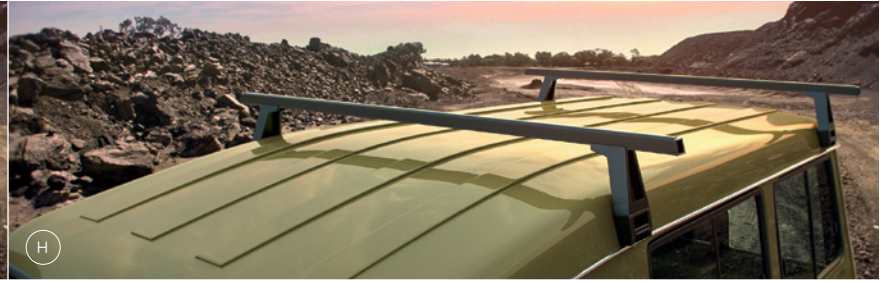
To find out more, go to: toyota.com.au/landcruiser-70/accessories



August 2020 to August 2022 production model shown. September 2022 production models onwards have updated specifications. Speak to your Dealer for more details. Single-Cab Cab-Chassis WorkMate model shown in French Vanilla accessorised with steel bullbar, heavy duty winch, side rails, bonnet protector, headlamp covers, front weathershields, tow bar, tow ball, trailer wiring harness and heavy duty steel tray. Accessories each sold separately.



August 2020 to August 2022 production model shown. September 2022 production models onwards have updated specifications. Speak to your Dealer for more details.



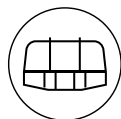
- A Steel bullbar
- B Alloy bullbar
- C Sunvisor – unpainted
- D Side rails – Steel bullbar sold separately
- E Winch – lightweight synthetic rope winch shown
- F Tow bar, tow ball and trailer wiring harness – each sold separately
- G Alloy roof tray – roof racks sold separately
- H Heavy duty roof racks
- I Canvas seat covers
- J Front weathershields – each sold separately
- K All weather floormats
- L Load Distribution Hitch – Tow bar, tow ball and trailer wiring harness sold separately
- M Headlamp covers
- N Bonnet protector

Unlock it all



When you join the Toyota family, you get so much more than a new car feeling. You unlock a whole range of benefits to keep you moving now and well into the future.

Discover your Toyota lifetime of advantages at toyota.com.au/owners



Toyota Genuine Accessories⁸

Developed alongside the vehicle, this unique advantage allows Toyota to design accessories, so they integrate harmoniously with the vehicle structure and safety systems. For more information, visit toyota.com.au/accessories



Toyota Service Advantage¹⁰

We'll keep the cost of your standard logbook service at a capped price for up to your first 3 or 5 years on the road, depending on the vehicle model. To find out your low capped service price, visit toyota.com.au/owners/service/service-pricing-calculator



Toyota Genuine Insurance¹¹

With Toyota Genuine Insurance you're not alone. Over 350,000* Toyota owners have made the same choice because they know their Toyota's in safe hands. For more information, visit toyotainsurance.com.au



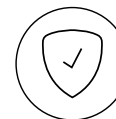
Toyota Access

Offering flexible finance options, lower monthly repayments¹² and a Guaranteed Future Value,¹³ a Toyota Access Loan means you can drive the Toyota you want today, knowing the future is taken care of. When your loan ends, you have options to trade, keep or return your vehicle. For more information, visit toyota.com.au/toyota-access



Toyota Certified Pre-Owned Vehicles

Enjoy the reassurance that comes with a Toyota Certified Pre-Owned Vehicle. Including an additional 1-year Toyota-backed warranty,¹⁴ full-service history and 90-point inspection by Toyota Technicians. For more information, visit toyota.com.au/certified



Toyota Warranty Advantage¹⁵

Stick to your service schedule, and we'll extend your engine and driveline warranty from five to seven years, so you can drive stress-free for longer. For more information, visit toyota.com.au/owners/warranty

Disclaimers and Notice

- 1 Compatibility and functionality varies depending on device.
- 2 Bluetooth® is a registered trademark of Bluetooth SIG, Inc.
- 3 Service varies based on vehicle location. See [sunattraffic.com.au](https://www.sunattraffic.com.au)
- 4 Coverage dependent on vehicle location.
- 5 Troop Carrier and Wagon GXL also come standard with vinyl rear flooring.
- 6 Toyota Australia reserves the right to vary or discontinue the current interior and exterior colours, trims and colour/trim/model combinations. Colours and trims displayed are a guide only and may vary from actual colours due to printing/display process. See your Toyota Dealer to confirm availability when ordering your vehicle.
- 7 Paint featured is optional extra at additional cost.
- 8 See your Toyota Dealer to confirm Toyota Genuine Accessories suitable for your vehicle prior to ordering, as specifications, applicability, availability and fitment requirements may change over time. Consider combined mass of load and accessories to ensure gross vehicle mass limits are not exceeded. Refer to toyota.com.au/vehiclepayload for information. Fitment of certain accessories may require recalibration, relocation or removal of standard equipment (which may be retained by Toyota). Toyota Australia uses its best endeavours to ensure material is accurate at the time of publishing. Colours depicted are a guide only and may vary from actual due to the print/display process. Toyota Australia reserves the right to change and/or discontinue, without notice, prices, colours, materials, equipment and specifications. To the extent permitted by law, Toyota Australia will not be liable for any damage or loss incurred from relying on the information and images contained in this material. Distributed nationally (other than in Western Australia) by Toyota Motor Corporation Australia Limited ABN 64 009 686 097. Material distributed in Western Australia by or on behalf of Prestige Motors Pty Ltd (for vehicles) and by Eastpoint Pty Ltd (for parts/accessories). Toyota Australia makes no warranties regarding (and will not be liable for) accuracy of materials distributed in Western Australia. Proof: T2023-000139.
- 9 Toyota Genuine Parts/Accessories purchased at and fitted by a Toyota Dealer to a Toyota vehicle which was purchased on or after 01/01/2019, are warranted for the remainder of that vehicle's Toyota Warranty Advantage period, or 2yrs from installation (whichever is greater). Genuine Parts/Accessories purchased from, but not fitted by, a Toyota Dealer are warranted for 2yrs from date of purchase. See toyota.com.au for T&Cs. This warranty does not limit and may not necessarily exceed your rights under the Australian Consumer Law.
- 10 Standard scheduled logbook services only. T&Cs apply. Visit toyota.com.au/advantage
- 11 Terms and conditions apply. This advice is general in nature and does not take into account your objectives, financial situation or needs. Before making a decision to

IMPORTANT NOTICE – PLEASE READ:

Toyota Australia uses its best endeavours to ensure material is accurate at the time of publishing. All information must be confirmed with your Toyota Dealer at the time of ordering, as specifications, applicability and availability may change over time. Colours depicted are a guide only and may vary from actual colours due to the printing/display process. Toyota Australia reserves the right to change and/or discontinue, without notice, models, prices, colours, materials, equipment, specifications. To the extent permitted by law, Toyota Australia will not be liable for any damage or loss incurred from relying

purchase any of the insurance products you should consider the appropriateness of the advice taking into account your own objectives, financial situation and needs and refer to the current PDS and Target Market Determination for the relevant product available from participating Dealers, via our website at toyotainsurance.com.au or by calling 137 200. Toyota Car Insurance purchased in a dealership or via the Toyota Insurance National Customer Solutions Centre is facilitated by Toyota Finance Australia Limited ABN 48 002 435 181, AFSL and Australian Credit Licence 392536 as agent for, and on behalf of, the insurer. The insurer of Toyota Car Insurance is Aioi Nissay Dowa Insurance Company Australia Pty Ltd ABN 11 132 524 282, AFSL 443540 (Adica). If Toyota Car Insurance is purchased online, the issuer and insurer is Adica. *This figure represents the total number of Toyota vehicles that have been insured by Toyota Insurance as at November 2021.

- 12 Lower monthly repayments compared to a similar term with no Guaranteed Future Value (GFV) or equivalent balloon final payment. Total interest charges will be higher if a GFV or balloon final payment is selected.
- 13 Guaranteed Future Value (GFV) is the minimum value of your new or approved demonstrator Toyota at the end of your finance contract, as determined by Toyota Finance subject to fair wear and tear and agreed kilometres being met. Ask your Dealers for more information. Approved applicants only. T&Cs apply. Toyota Finance Australia Limited ABN 48 002 435 181, AFSL and Australian Credit Licence 392536.
- 14 Applicable to pre-owned vehicles purchased as a Toyota Certified Pre-Owned (TCPO) vehicle on or after 01/01/2022. TCPO 2022 Warranty expires 1 year after sale, or 1 year after the current New Vehicle Warranty expires (if applicable), or 10 years from date of registration in original owner's name, or at 160,000kms (whichever occurs first). TCPO Warranty does not apply to vehicles used for commercial purpose (eg taxis or rideshare). See toyota.com.au/tcpowarranty for T&Cs. This warranty does not limit and may not necessarily exceed your rights under the Australian Consumer Law.
- 15 The Toyota Warranty Advantage Extended Engine and Driveline coverage is for 7 years from delivery, provided your vehicle is properly serviced and maintained per its Warranty and Service Book. Excludes vehicles used for a commercial purpose, such as taxis, hire vehicles and vehicles transporting people or goods for payment including rideshare. See toyota.com.au/owners/warranty for details. This warranty does not limit and may not necessarily exceed your rights under the Australian Consumer Law.

on the information and images contained in this material. Distributed nationally (other than in Western Australia) by Toyota Motor Corporation Australia Limited ABN 64 009 686 097. Material distributed in Western Australia by or on behalf of Prestige Motors Pty Ltd (for vehicles) and by Eastpoint Pty Ltd (for parts/accessories). Toyota Australia makes no warranties regarding (and will not be liable for) accuracy of materials distributed in Western Australia. PROOF HQ: T2023-000139. GTO-006535. VERSION: MARCH 2023.