



Aus Liebe zum Automobil

# The Caddy Life





04 – 11  
Everyone wants to  
join in.



12 – 21  
Comfort.  
Space.



22 – 25  
Space concept.  
Variability.



26 – 31



32 – 35  
New in the Caddy Life:  
EcoFuel, powered by  
natural gas.  
36 – 57  
Equipment.  
Technical data.

The concept of the Caddy Life is soon explained. It is a car for all who want plenty of space. Who set store by functionality and quality. Who are often out and about and have other things on their minds besides cars. Because the Caddy Life goes along with everything and takes everyone along.

Please contact your local Volkswagen Commercial Vehicle Dealer for details of the standard equipment and optional extras applicable in your country.



Life is all around you.



Everyone wants to join in. Collecting your son from school. Going on a Saturday shopping trip with the whole family. Taking both daughters to sport. Going with your husband to your grandchild's graduation party. With a friend to a record fair. A quick trip with your flatmates to the corner supermarket before it

closes. To an away match of your favourite football team. To the next match of your own team. To the victory celebration afterwards. A trip to the country. Or to nowhere in particular. Just do what is important and look after those who are important to you. In the Caddy Life.

Please contact your local Volkswagen Commercial Vehicle Dealer for details of the standard equipment and optional extras applicable in your country.



The Caddy Life offers one thing in particular – plenty of space. For everything in your life and for all who are part of your life. Partners. Marriage partners. Children. Good friends. Best friends. Pets. Cuddly toys. Because the Caddy Life adapts to your wishes. For mobility. For space. For safety. And for togetherness.

It is variable and full of ingenious solutions. Its high level of functionality makes it a practical companion for everyday life, and since functionality is not everything it is also in top form when it comes to design and equipment.

Please contact your local Volkswagen Commercial Vehicle Dealer for details of the standard equipment and optional extras applicable in your country.



Up-to-date technology, durability, robustness, economy and a high resale value. The impressive qualities of the Caddy Life will accompany you on every journey, whatever your destination. The Caddy Life benefits from decades of

experience in the construction of a wide variety of family cars. It clearly demonstrates Volkswagen's strengths in realising superior space concepts and developing innovative engines creating optimal performance and utilisation of fuel.

Please contact your local Volkswagen Commercial Vehicle Dealer for details of the standard equipment and optional extras applicable in your country.





**For all who like  
making friends.**



Stop at your favourite shop on the way.  
Lovely mirror in the window. Gilt  
frame. 53 x 68 cm. Fits perfectly. In the  
Caddy Life.

## A first glance is an eye-opener.

More than usual. More than you expect. There are two large sliding doors each with an opening width of 70 cm for ease of loading and entering the Caddy Life in tight parking spaces. In spite of its compact exterior dimensions, the interior is impressive and can easily be adapted for everything. After all, the Caddy Life is a car for both everyday trips and those that are out of the ordinary.

Please contact your local Volkswagen Commercial Vehicle Dealer for details of the standard equipment and optional extras applicable in your country.





A long day at school. A tired child.  
A best friend – and another – and  
another – and another. All on their  
way home in the Caddy Life.

## Here you can be in seventh place and still come first.

Many things are more fun when you have company. And this is something you can be sure of in the Caddy Life. With the 2-seater bench seat available as an optional extra for the second row of seats in the passenger compartment you have comfortable seating for seven. Large items of luggage can also be transported with ease as the 3-seater bench seat is split-folding, and can be folded down double. Plenty of space. Plenty of possibilities. Plenty of fun.

Please contact your local Volkswagen Commercial Vehicle Dealer for details of the standard equipment and optional extras applicable in your country.





A wallet. Two packets of tissues.  
A mobile phone. Four lipsticks.  
Seven keys. Plenty of pockets for  
everything. In the Caddy Life.

## A treat in store.

Everything is neat and tidy on your trip. This is assured by a well thought out storage compartment concept. A roomy drawer is to be found under the driver's seat. The centre console in the cab has a large storage compartment with lid, two cup holders at the front, and one at the rear. The side pockets in the front doors can hold a 1-litre bottle, and there is additional stowage space in the headlining above the windscreen. There are also large storage compartments in the sliding doors and in the footwell of the passenger compartment – so that everything is tidy and nothing is in the way.

Please contact your local Volkswagen Commercial Vehicle Dealer for details of the standard equipment and optional extras applicable in your country.





Going on a trip together. Sharing the driving is thirsty work. Choose the most comfortable way to travel. In the Caddy Life.

## Different drivers. Same comfort.

Your daughter has to go to the doctor. Your wife to work. Your friend to university. The Caddy Life is a model of adaptability. The steering wheel can be adjusted for height and rake. The driver's seat is height-adjustable and both front seats have an angle adjustment for the backrest. Every driver can therefore find the most comfortable sitting position with a perfect view of the instrument panel and traffic on the road – and the front passenger enjoys the same high level of comfort. The Caddy Life is simply a car for one and all.

Please contact your local Volkswagen Commercial Vehicle Dealer for details of the standard equipment and optional extras applicable in your country.





**Prepared for routine.  
Ready for surprises.**



Shopping. Meeting old friends by chance. Inviting them for an evening meal. Big surprise. Even bigger shopping list. In the Caddy Life.

## Sometimes you have big plans.

As large as life. Baskets and bags full of shopping. Travelling bags that have been packed and suitcases that can hardly be closed. It is all easily stowed in the Caddy Life. The 5-seater has a luggage compartment capacity of 750 litres (can be extended to 2,850 litres), and the 7-seater's payload of up to 640 kg means that heavy luggage can be carried with ease. There is only one thing that doesn't fit in the Caddy Life: restrictions.

Please contact your local Volkswagen Commercial Vehicle Dealer for details of the standard equipment and optional extras applicable in your country.



**It's taking part that counts.  
When you can count everyone in.**





Four friends. Three free days. Sleeping bags have been packed. Tents and a map too. You are ready to go. In the Caddy Life.

## For routine journeys. And for getting out of your routine.

Countless destinations. And four strong engines: 1.9 litre 55 kW (75 bhp) TDI® engine. 1.9 litre 77 kW (105 bhp) TDI®. 1.4 litre 59 kW (80 bhp) petrol engine. 1.6 litre 75 kW (102 bhp) petrol engine. The diesel engines use innovative unit injector technology. Optimal utilisation of the fuel quantity is assured through direct injection. As a result, consumption and emission are reduced. This combination of performance and low consumption also applies to the petrol engines. For a perfect blend of driving enjoyment and economy.

Please contact your local Volkswagen Commercial Vehicle Dealer for details of the standard equipment and optional extras applicable in your country.



Fuel consumption (litres/100 km) and combined CO<sub>2</sub> emission (g/km), tank contents approx. 60 litres

Engine/ model	1.4 l petrol (59 kW)	1.6 l petrol (75 kW)	1.9 l TDI® (55 kW)	1.9 l TDI® (77 kW) manual gearbox	manual gearbox and DPF <sup>1</sup>	double clutch gearbox (DSG®)	double clutch gearbox (DSG®) and DPF <sup>1</sup>
------------------	-------------------------	-------------------------	-----------------------	---	---	---------------------------------	---

### Caddy Life 5-seater

urban	10.5 – 10.5	11.0 – 11.1	7.7 – 7.8	7.4 – 7.5	7.5 – 7.6	8.2 – 8.2	8.2 – 8.2
extra-urban	7.0 – 7.0	6.8 – 6.9	5.4 – 5.5	5.4 – 5.5	5.5 – 5.6	5.7 – 5.7	5.9 – 5.9
combined	8.3 – 8.3	8.3 – 8.4	6.3 – 6.4	6.1 – 6.2	6.2 – 6.3	6.6 – 6.6	6.7 – 6.7
CO <sub>2</sub> emission combined	199 – 199	199 – 202	170 – 173	165 – 167	167 – 170	178 – 178	178 – 178

Fuel consumption (litres/100 km) and combined CO<sub>2</sub> emission (g/km), tank contents approx. 60 litres

Engine/ model	1.4 l petrol (59 kW)	1.6 l petrol (75 kW)	1.9 l TDI® (55 kW)	1.9 l TDI® (77 kW) manual gearbox	manual gearbox and DPF <sup>1</sup>	double clutch gearbox (DSG®)	double clutch gearbox (DSG®) and DPF <sup>1</sup>
------------------	-------------------------	-------------------------	-----------------------	---	---	---------------------------------	---

### Caddy Life 7-seater

urban	10.5 – 10.6	11.0 – 11.1	7.8 – 7.8	7.5 – 7.5	7.6 – 7.6	8.2 – 8.3	8.2 – 8.3
extra-urban	7.0 – 7.1	6.8 – 6.9	5.5 – 5.5	5.5 – 5.5	5.6 – 5.6	5.7 – 5.8	5.9 – 6.0
combined	8.3 – 8.4	8.3 – 8.4	6.4 – 6.4	6.2 – 6.2	6.3 – 6.3	6.6 – 6.7	6.7 – 6.9
CO <sub>2</sub> emission combined	199 – 202	199 – 202	173 – 173	167 – 167	170 – 170	178 – 181	178 – 183

<sup>1</sup>DPF = diesel particulate filter, provisional figures.

## The most exciting thing about the Caddy Life is that it makes sure nothing happens.

The Caddy Life accompanies you safely through the day. The electronic control systems ABS, TCS and EBC help in critical situations by intervening in the brake or engine management systems. An air bag for the driver and for the front passenger together with side air bags at the front afford protection from injury. ESP+ with a brake assist system and trailer stabilisation is available as an optional extra. This ensures safe roadholding in extreme driving situations – on motorways, on country roads, on tight bends, in town traffic, and on roads covered with wet leaves. Wherever you are, you can rely on the Caddy Life.

Please contact your local Volkswagen Commercial Vehicle Dealer for details of the standard equipment and optional extras applicable in your country.



No helmet. No elbow pads. No knee pads. Arrive home safely. In the Caddy Life.



## New in the Caddy Life: EcoFuel, powered by natural gas

The Caddy Life EcoFuel helps you to lower your fuel costs as it primarily uses natural gas which is more favourably priced than petrol or diesel. The innovative, 80 kW (109 bhp) 2.0 l engine\* has been optimised for operation with natural gas and it burns this type of fuel very efficiently and economically. The steel natural gas tanks in the Caddy Life EcoFuel have a capacity of 26 kg. In addition, the vehicle has a petrol reserve of 13 litres. If the supply of natural gas has been used up, the Caddy Life EcoFuel switches over to petrol automatically. The combined amount of natural gas and petrol is enough to cover a distance of some 590 km.

\*Please refer to page 53 for information on fuel consumption and CO<sub>2</sub> emission.  
Please contact your local Volkswagen Commercial Vehicle Dealer for details of the standard equipment and optional extras applicable in your country.



# Everything is in it so that there is more in it for you.

Doing the weekly shopping. Taking the children to school. Visiting friends and relations. The Caddy Life EcoFuel helps you to do all this and enjoy many a pleasure trip. This Volkswagen has absolutely nothing to do with prejudices that are prevalent against natural gas vehicles: refined technology and a superior space concept make the Caddy Life EcoFuel a practical, versatile and outstandingly safe companion on each and every journey. The Caddy Life EcoFuel is full of advantages for you – offers plenty of space, and fits in with all your plans.

## Economy

### The Caddy Life EcoFuel lowers fuel costs.

Natural gas is more favourably priced than petrol and diesel, and the engine burns this type of fuel more economically and efficiently. This makes the Caddy Life EcoFuel a very thrifty vehicle – changing over is worthwhile.

## Performance

### The Caddy Life EcoFuel has a powerful engine.

The “quasi-monovalent” 2.0 litre engine in the Caddy Life EcoFuel has an output of 80 kW (109 bhp)\* – and a top speed of 169 kph. “Quasi-monovalent” means that the engine can be fuelled with natural gas and petrol. It has been optimised for operation with natural gas.

## Range

### The Caddy Life EcoFuel can cover long distances.

The natural gas tanks have a capacity of 26 kg. This is enough for a distance of approx. 440 km. The 13 litre reserve supply of petrol extends your radius of action to approx. 590 km – hardly any other natural gas vehicle can equal this. The engine switches over to petrol automatically when the supply of natural gas has been used up.



## Safety

### The Caddy Life EcoFuel is tremendously safe.

The steel natural gas tanks have electro-magnetic valves with triple protection to prevent uncontrolled escape of natural gas in the event of an accident. The tanks themselves are extremely heatresistant. They have proved to be almost indestructible in the innumerable tests carried out. The natural gas pipes are of course outside the passenger compartment. Fuel is therefore stored safely – and occupants have the best protection at all times during the journey.

## Space

### The Caddy Life EcoFuel offers plenty of space.

The space-saving underfloor natural gas tank system means that there is unrestricted room inside the vehicle. The 5-seater has a load compartment volume of up to 2,850 litres. Turning the Caddy Life EcoFuel into a 7-seater is child's play – a 2-seater bench can be supplied as a seating option for your children in the passenger compartment.

\*Please refer to page 53 for information on fuel consumption and CO<sub>2</sub> emission.

Please contact your local Volkswagen Commercial Vehicle Dealer for details of the standard equipment and optional extras applicable in your country.

**01 Gets in everywhere:** multi-storey and underground car parks are open to the Caddy Life EcoFuel – without restrictions.

**02 Loads of space:** as a 5-seater the Caddy Life EcoFuel offers an impressive maximum load compartment volume of 2,850 litres.

**03 Save in comfort:** the cab and passenger compartment of the Caddy Life EcoFuel offer comfortable seating for up to seven.

**04 Re-fuel with a flick of the wrist:** a turn of 180° connects the filling device to the vehicle safely and securely.



## Exterior equipment.



### Headlights

The halogen headlights are equipped with headlight range adjustment as standard. A headlight cleaning system can be ordered as an optional extra.



### Steel wheels with full wheel trim, 6.0 J x 15

15" steel wheels with 195/65 R15 tyres.



### Alloy wheels, 6.0 J x 15

15" cast aluminium wheels with 195/65 R15 tyres.



### Heat-insulating windows

Green-tinted windows reduce heating up of the interior through solar radiation.



## Exterior equipment/interior equipment.

### Sliding doors to passenger compartment

The two sliding doors – one on the driver's and one on the front passenger's side – have an opening width of 70 cm.



### Sliding window

A sliding window in the sliding door on the front passenger's side is included in the standard specification. A second sliding window in the sliding door on the driver's side is available as an optional extra.



### Painted bolted-on parts

The bumpers, rubbing strips, lateral door handles and door mirrors are colour-keyed.



### Partial leather trim

The partial leather trim package includes a leather-covered steering wheel, gear lever knob, gear lever gaiter and handbrake lever.



## Interior equipment.



**Storage compartment on driver's and on front passenger's door**  
Both the driver's and the front passenger's door have a storage compartment designed to take a 1-litre bottle.



**Drawer**  
There is a roomy drawer under the driver's seat.



**Instrument panel**  
There is a compartment with lid and document clip, and an open compartment on the instrument panel.



**Glove compartment**  
An open glove compartment provides space for items needed during the journey.



## Interior equipment.

**Roof storage space**  
A roomy storage tray extends across the entire width of the vehicle.



**Centre console**  
The centre console contains a storage compartment with lid and two cup holders at the front; and one cup holder, two vents and a 12 V socket at the rear.



**Cup holders**  
Two front cup holders are integrated in the centre console for easy access, and a further cup holder at the end of the centre console in the passenger compartment.



**Pockets in sliding doors**  
Pockets are also located in the sliding doors to the passenger compartment.



## Interior equipment.



### Pockets in passenger compartment

Two additional storage compartments in the footwell of the first row of seats in the passenger compartment complete the storage compartment system. If the vehicle is equipped with a detachable tow bar as an option, the detachable ball head is stowed in one of the compartments.



### Net pockets

Two practical net pockets on the left and right of the passenger compartment provide convenient stowage space for small items. If a net partition for the luggage compartment is supplied as an optional extra, the attachment points are next to the net pockets.



### Pockets in load compartment

Additional pockets are located on both sides of the load compartment.



### Driver's seat

The driver's seat is height-adjustable.



## Interior equipment.

### 3-seater bench seat in passenger compartment

The 3-seater bench seat is in the 1st row of the seats in the passenger compartment.



### Variable passenger compartment (1)

The 3-seater bench seat can be folded down 2/3 and 1/3.



### Variable passenger compartment (2)

The 3-seater bench seat can also be double folded 2/3 and 1/3. This means that when the seats have been folded together, they can again be folded forwards.



### 2nd row of seats in passenger compartment

There is room for an additional 2-seater bench seat in the 2nd row of seats providing comfortable seating for 7.



## Interior equipment./Safety equipment.



### Luggage compartment

The load compartment capacity on the 5-seater is 750 litres and can be extended to 2,850 litres. Depending on the engine version and number of seats, the payload can be a maximum of 640 kg.



### Lashing eyes

There are four lashing eyes to secure the load in the load compartment.



### Air bags

The air bag system includes air bags for the driver and front passenger and side air bags at the front as standard. The deactivator for the front passenger's air bag is in the open glove compartment.



### Fog lights

The fog lights are integrated in the bumper.



## Safety equipment.

### Door mirrors

The door mirrors are heated and electrically adjustable. The size and shape of the mirror on the driver's side differs from that on the front passenger's side.



### Control unit for door mirrors

The control unit is located on the driver's door.



### ESP

The electronic stabilisation programme ESP+ with brake assist system and trailer stabilisation is available as an optional extra.



### ISOFIX child's seat mounting points

The ISOFIX child's seat mounting points are under a zip on the outer seats of the 3-seater bench seat. They enable child's seats to be firmly secured to the vehicle structure.



## Operating equipment.



### Radio

The RCD 300 radio is available with CD changer control for an additional CD changer. Other options offered are the R 100 radio with four loudspeakers and CD changer control, and the RCD 500 radio with integral 6-disc CD changer.



### Navigation system

The navigation system with colour display and spoken directions uses a navigation DVD which includes maps for most of the countries in Europe. The drive of this system can also play audio CDs. Two additional speakers on the left and right-hand side at the rear of the passenger compartment are available on request. You can also receive a navigation system with monochrome display as an option.



## Operating equipment.

### CD changer

The CD changer available as an option is operated via the radio and fitted under the cover in the centre console.



### Loudspeakers

Good sound is supplied by standard loudspeakers in the driver's and in the front passenger's door, and on the left and right-hand side of the instrument panel. In conjunction with the RCD 300 and RCD 500 radios available as options, two additional loudspeakers can be installed at the rear of the passenger compartment on the left and right-hand side.

The illustration shows optional extra.



### Climatic and heated seats

The semi-automatic air conditioner has infinite temperature control. Heating is available for the driver's and for the front passenger's seat as an optional extra; the temperature settings can be adjusted separately for the two front seats.



### Fixed installation for mobile phone

A "Siemens S65" or Nokia 6021" mobile phone is supplied together with provision for a phone with charging station and integral hands-free system. On request, provision for a phone can be ordered without a mobile phone. When calls are received, the radio muting function is activated automatically so that calls can be heard via the loudspeakers.

The illustration shows the "Nokia 6021" mobile phone.



## Operating equipment.



### Double clutch gearbox (DSG®)

The innovative 6-speed double clutch gearbox (DSG®) assures seamless acceleration: engine power continues to be transmitted to the gearbox without interruption between gear-changes. This results in significantly better driving dynamics. Manual or automatic gear-change can be selected.



## Operating equipment.

### Multi-function display

The multi-function display has two memory levels to display driving time, average speed, average consumption, current consumption, range and driving distance. It can be called up via the operating lever for the windscreen wipers.



### Cruise control

As of a speed of approx. 30 kph, the speed required can be set and is kept at a constant level automatically.



### Vents

Two vents on the centre console ensure good ventilation in the passenger compartment.



### Electric front windows

With power limiter and convenience circuit. This enables both front windows to be opened and closed simultaneously via radio wave remote control.



## Operating equipment.



### Anti-theft warning system

The anti-theft warning system with back-up horn and tow-away warning is activated via a door contact or movement sensor in the interior.



### Side windows

A pair of manual vent windows is offered as an option for the rear of the passenger compartment.



### Luggage compartment cover

A folding cover screens the load compartment from view. It is available as an option for the 7-seater.



### 12 V socket

There is a 12 V socket in the passenger compartment, on the centre console. A second socket is located on the left-hand side of the load compartment.



## Operating equipment.

### Tailgate

With heated rear window and wiper.



### Rear wing doors

The roof-high rear wing doors with windows are divided 2/3 to 1/3.



### Integral mounting for roof load carrying systems

There are four mounting points on the roof for roof load carrying systems.



### Tow bar

Depending on the engine version the trailer load varies from 1,035 kg to a maximum of 1,500 kg. A fixed tow bar is available, also a detachable and a lockable tow bar.



## Volkswagen Genuine Accessories.



### “DVD Voyager 4” multimedia kit

Experience a drive-in cinema in your own vehicle: the DVD tablet player integrated in the 7" TFT display plays DVDs, CDs and MP3s. The system can easily be secured to the head restraints. The “DVD Voyager 4” is also suitable for use as a DVD player outside the vehicle and can be connected to a television – during trips, in hotels, or at home.



### Basic carrier with surfboard holder

For the convenient transport of up to two surfboards. Includes two mast holders and two tensioning straps, and can be fitted easily and quickly on the basic carrier.



### Basic carrier with ski and snowboard holder

For the safe transport of up to six pairs of skis or up to four snowboards. The holder is lockable and has a practical pull-out function for ease of loading and unloading.



### Cycle carrier for the tailgate

Can transport a maximum of three bicycles. Made of anodised aluminium profile bars, with fasteners. Pre-assembled and therefore very easy to fit. Net weight 13 kg. Carrying capacity 45 kg.

**Bicycles are not included in the specification.**



## Volkswagen Genuine Accessories.

### Bobsy GO child's seat plus ISOFIX

This child's seat has a 5-point harness and locks securely into special mountings. It assures a high level of comfort and safety for infants up to 15 months of age or weighing up to 13 kg.



### Luggage net

The tear-proof luggage net has securing hooks. These enable it to be fastened to the lashing eyes in the luggage compartment to prevent light loads and luggage from slipping.



### Luggage compartment insert

This flexible, made to measure insert has an approximately 5 cm high rim to protect the load compartment from moisture and dirt. When not in use, the insert can be rolled up to save space.



### Reversing warning system

This system has four sensors to help you when reversing into a parking space. The warning tone becomes more rapid as the distance between the vehicle and obstacles behind it narrows.



Volkswagen Genuine Accessories are only available at your Volkswagen Dealer. Please contact your local Volkswagen Commercial Vehicle Dealer for details of the standard equipment and optional extras applicable in your country.

standard

optional extra

# Technical data.

## Petrol engines

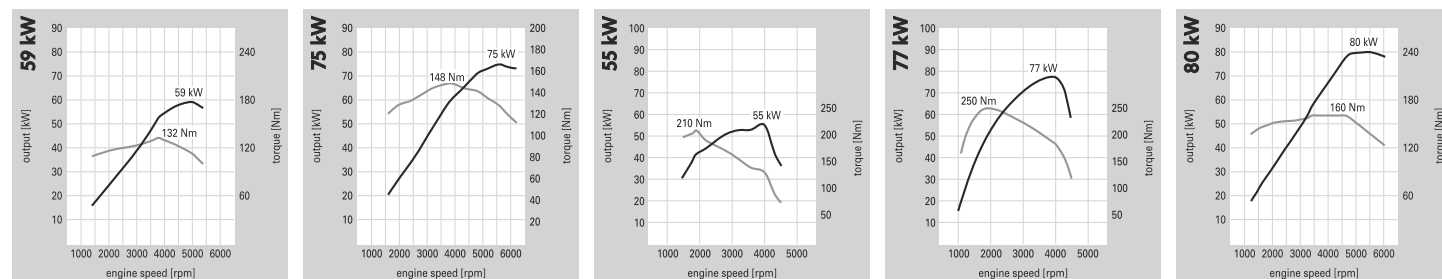
	1.4 l petrol engine <sup>1</sup> (59 kW)	1.6 l petrol engine (75 kW)
Mixture preparation/injection method	multi-point injection (MPI)	multi-point injection (MPI)
No. of cylinders	4	4
Cubic capacity, cm <sup>3</sup>	1,390	1,598
Output, kW at rpm	59 at 5,000	75 at 5,600
Max. torque, Nm/rpm	132/3,800	148/3,800
EU exhaust emission directive	according to 98/69/EC I B, EURO 4	according to 98/69/EC I B, EURO 4
5-speed manual gearbox	standard	standard
6-speed double clutch gearbox (DSG <sup>®</sup> )	–	–
Front-wheel drive	standard	standard
Type of fuel	premium unleaded DIN EN 228, 95 RON <sup>2</sup>	premium unleaded DIN EN 228, 95 RON <sup>2</sup>

## Diesel engines

	1.9 l TDI <sup>®</sup> engine (55 kW)	1.9 l TDI <sup>®</sup> engine (77 kW)
Mixture preparation/injection method	turbo-diesel with unit injector direct injection	turbo-diesel with unit injector direct injection
No. of cylinders	4	4
Cubic capacity, cm <sup>3</sup>	1,896	1,896
Output, kW at rpm	55 at 4,000	77 at 4,000
Max. torque, Nm/rpm	210/1,900	250/1,900
EU exhaust emission directive	according to 98/69/EC I A, EURO 4	according to 98/69/EC I A, EURO 4
5-speed manual gearbox	standard	standard
6-speed double clutch gearbox (DSG <sup>®</sup> )	–	combination possible
Front-wheel drive	standard	standard
Type of fuel	diesel, in accordance with DIN EN 590	diesel, in accordance with DIN EN 590

## EcoFuel

	2.0 l natural gas engine (80 kW)
Engine concept	quasi-monovalent (petrol engine optimised for operation with natural gas)
No. of cylinders	4
Cubic capacity, cm <sup>3</sup>	1,984
Output, kW at rpm	80 at 5,400
Max. torque, Nm/rpm	160/3,500
EU exhaust emission directive	according to 98/69/EC I B, EURO 4
5-speed manual gearbox	standard
6-speed double clutch gearbox (DSG <sup>®</sup> )	–
Front-wheel drive	standard
Type of fuel	natural gas (CNG) <sup>3</sup> /Super plus DIN EN 228, 98 RON <sup>4</sup>



# Performance and fuel consumption/CO<sub>2</sub> emission.

## Performance with manual gearbox (without additional equipment)

Engine	Output (kW)	Acceleration (kph, s)		Flexibility (kph, s) 80 – 120 (4th/5th gear)	Top speed (kph)
		0 – 80	0 – 100		
1.4 l petrol	59	10.5	16.6	14.9/20.4	151
1.6 l petrol	75	9.1	13.7	13.4/19.1	164
1.9 l TDI <sup>®</sup>	55	11.2	17.7	17.1/19.2	150
1.9 l TDI <sup>®</sup>	77	8.8	13.3	11.6/13.7	166
2.0 l natural gas <sup>1</sup>	80	9.2	13.8	14.0/20.0	169

## Performance with double clutch gearbox (DSG<sup>®</sup>) (without additional equipment)

Engine	Output (kW)	Acceleration (kph, s)		Flexibility (kph, s) 80 – 120 (top gear)	Top speed (kph)
		0 – 80	0 – 100		
1.9 l TDI <sup>®</sup>	77	8.8	13.3	10.8	166

## Fuel consumption (litres/100 km) and combined CO<sub>2</sub> emission (g/km), tank contents approx. 60 litres

Engine/model	1.4 l petrol (59 kW)	1.6 l petrol (75 kW)	1.9 l TDI <sup>®</sup> (55 kW)	1.9 l TDI <sup>®</sup> (77 kW)			
				manual gearbox	manual gearbox and DPF <sup>1</sup>	double clutch gearbox (DSG <sup>®</sup> )	double clutch gearbox (DSG <sup>®</sup> ) and DPF <sup>1</sup>
urban	10.5 – 10.5	11.0 – 11.1	7.7 – 7.8	7.4 – 7.5	7.5 – 7.6	8.2 – 8.2	8.2 – 8.2
extra-urban	7.0 – 7.0	6.8 – 6.9	5.4 – 5.5	5.4 – 5.5	5.5 – 5.6	5.7 – 5.7	5.9 – 5.9
combined	8.3 – 8.3	8.3 – 8.4	6.3 – 6.4	6.1 – 6.2	6.2 – 6.3	6.6 – 6.6	6.7 – 6.7
CO <sub>2</sub> emission combined	199 – 199	199 – 202	170 – 173	165 – 167	167 – 170	178 – 178	178 – 178

## Caddy Life 5-seater

urban	10.5 – 10.5	11.0 – 11.1	7.7 – 7.8	7.4 – 7.5	7.5 – 7.6	8.2 – 8.2	8.2 – 8.2
extra-urban	7.0 – 7.0	6.8 – 6.9	5.4 – 5.5	5.4 – 5.5	5.5 – 5.6	5.7 – 5.7	5.9 – 5.9
combined	8.3 – 8.3	8.3 – 8.4	6.3 – 6.4	6.1 – 6.2	6.2 – 6.3	6.6 – 6.6	6.7 – 6.7
CO <sub>2</sub> emission combined	199 – 199	199 – 202	170 – 173	165 – 167	167 – 170	178 – 178	178 – 178

## Caddy Life 7-seater

urban	10.5 – 10.6	11.0 – 11.1	7.8 – 7.8	7.5 – 7.5	7.6 – 7.6	8.2 – 8.3	8.2 – 8.3
extra-urban	7.0 – 7.1	6.8 – 6.9	5.5 – 5.5	5.5 – 5.5	5.6 – 5.6	5.7 – 5.8	5.9 – 6.0
combined	8.3 – 8.4	8.3 – 8.4	6.4 – 6.4	6.2 – 6.2	6.3 – 6.3	6.6 – 6.7	6.7 – 6.9
CO <sub>2</sub> emission combined	199 – 202	199 – 202	173 – 173	167 – 167	170 – 170	178 – 181	178 – 183

## Caddy Life EcoFuel 5/7-seater<sup>2</sup>

Consumption<sup>3</sup> and CO<sub>2</sub> emission with natural gas (H gas), natural gas (or petrol) tank contents approx. 26 kg/35.6 m<sup>3</sup> (or approx. 13 l), provisional figures

urban	8.1 – 8.2 kg/100 km	12.0 – 12.1 m <sup>3</sup> /100 km
extra-urban	4.6 – 4.7 kg/100 km	6.7 – 6.8 m <sup>3</sup> /100 km
combined	5.9 – 6.0 kg/100 km	8.7 – 8.8 m <sup>3</sup> /100 km
CO <sub>2</sub> emission combined	157 – 158 g/km	

DPF = diesel particulate filter

<sup>1</sup> Provisional figures.

<sup>2</sup> Your local Volkswagen Dealer will be pleased to give you details regarding the availability of the Caddy Life EcoFuel.

<sup>3</sup> The data given here in kg per 100 km is for information purposes only.

When L gas is used, large fluctuations in the quality of the fuel can result in differing figures for performance and, in particular, for fuel consumption.

The figures listed here for fuel consumption and CO<sub>2</sub> emission have been established in accordance with the measuring method stipulated (the version of directive 80/1268/EEC which is currently valid).

## Note in accordance with directive 1999/94/EC

Fuel consumption and CO<sub>2</sub> emission are influenced not only by the vehicle's efficient use of fuel but also by the mode of driving and other non-technical factors. CO<sub>2</sub> is the greenhouse gas mainly responsible for global warming.

<sup>1</sup> Provisional figures.

<sup>2</sup> 91 RON regular fuel may be used in which case a slight decrease in performance or higher fuel consumption must be reckoned with.

<sup>3</sup> H or L gas. It is possible to use bio gas.

<sup>4</sup> 95 RON unleaded premium fuel may be used in which case a slight decrease in performance or higher fuel consumption must be reckoned with.

## Weights.

Engine	Output (kW)	Gross vehicle weight (kg)	Unladen weight with driver (kg) <sup>1</sup> from – to	Payload (kg) from – to	Axle load limit front/rear (kg)	Trailer weight braked, 12%/8% gradient (kg)	Trailer weight unbraked (kg)	Gross train weight, 12%/8% gradient (kg)
<b>Caddy Life 5-seater</b>								
1.4 l petrol	59	2,000	1,527 – 1,597	473 – 403	1,000/1,200	1,200/1,400	700	3,200/3,400
1.6 l petrol	75	2,186	1,546 – 1,616	640 – 570	1,000/1,200	1,300/1,500	710	3,300/3,686
1.9 l TDI <sup>®</sup>	55	2,035	1,611 – 1,681	424 – 354	1,065/1,200	1,400/1,500	750	3,435/3,535
1.9 l TDI <sup>®</sup>	77	2,251	1,611 – 1,681	640 – 570	1,065/1,200	1,500/1,500	750	3,600/3,600 <sup>2</sup>
1.9 l TDI <sup>®</sup> with double clutch gearbox (DSG <sup>®</sup> )	77	2,280	1,640 – 1,710	640 – 570	1,095/1,200	1,500/1,500	750	3,780/3,780 <sup>2</sup>
2.0 l natural gas <sup>2</sup>	80	2,186	1,728 – 1,798	458 – 388	1,030/1,200	1,200/1,500	750	3,386/3,686
<b>Caddy Life 7-seater</b>								
1.4 l petrol	59	2,167	1,564 – 1,634	603 – 533	1,000/1,200	1,035/1,400	700	3,202/3,567
1.6 l petrol	75	2,186	1,583 – 1,653	603 – 533	1,000/1,200	1,115/1,500	710	3,301/3,686
1.9 l TDI <sup>®</sup>	55	2,251	1,648 – 1,718	603 – 533	1,065/1,200	1,300/1,500	750	3,551/3,751
1.9 l TDI <sup>®</sup>	77	2,251	1,648 – 1,718	603 – 533	1,065/1,200	1,350/1,500	750	3,601/3,751
1.9 l TDI <sup>®</sup> with double clutch gearbox (DSG <sup>®</sup> )	77	2,280	1,677 – 1,747	603 – 533	1,095/1,200	1,500/1,500	750	3,780/3,780 <sup>2</sup>
2.0 l natural gas <sup>2</sup>	80	2,270	1,765 – 1,816	505 – 454	1,030/1,250	#/#	#	#/#

<sup>1</sup> Additional equipment may alter the unladen weight of the vehicle in which case the payload, performance, fuel consumption and CO<sub>2</sub> emission may be affected.

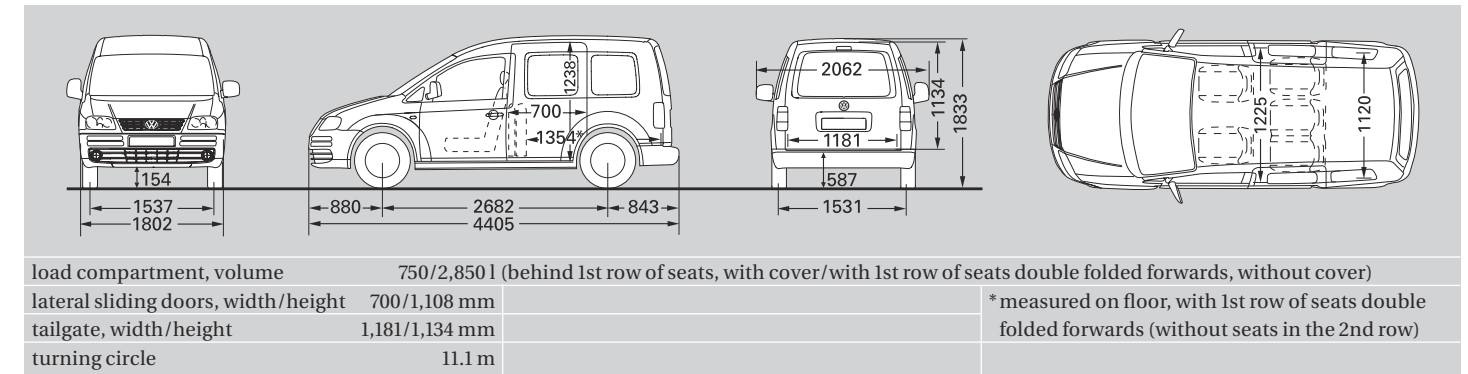
<sup>2</sup> Provisional figures.

# Tow bar is not available.

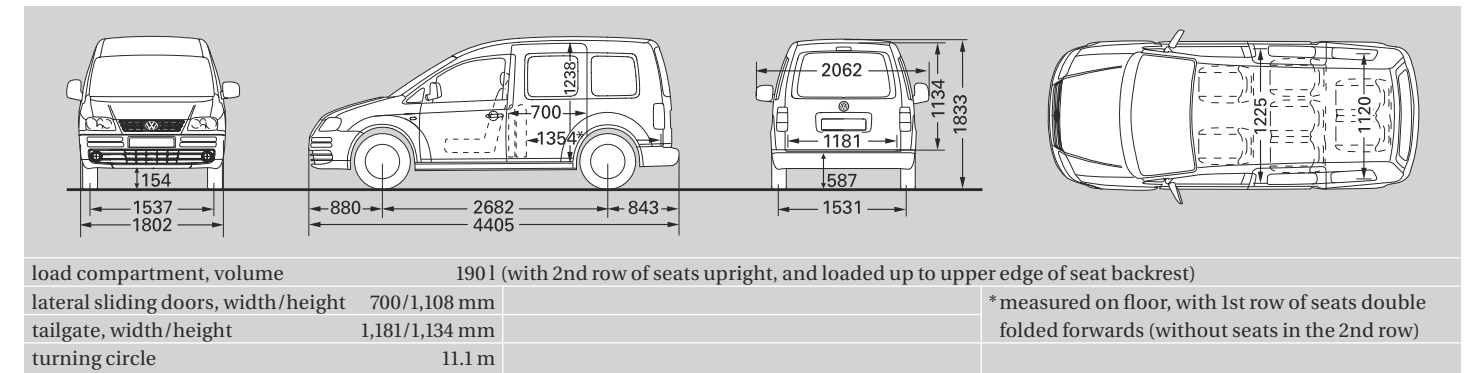
Roof load limit/trailer nose weight: 100 kg/75 kg.

## Dimensional drawings.

**Caddy Life 5-seater/Caddy Life EcoFuel 5-seater**

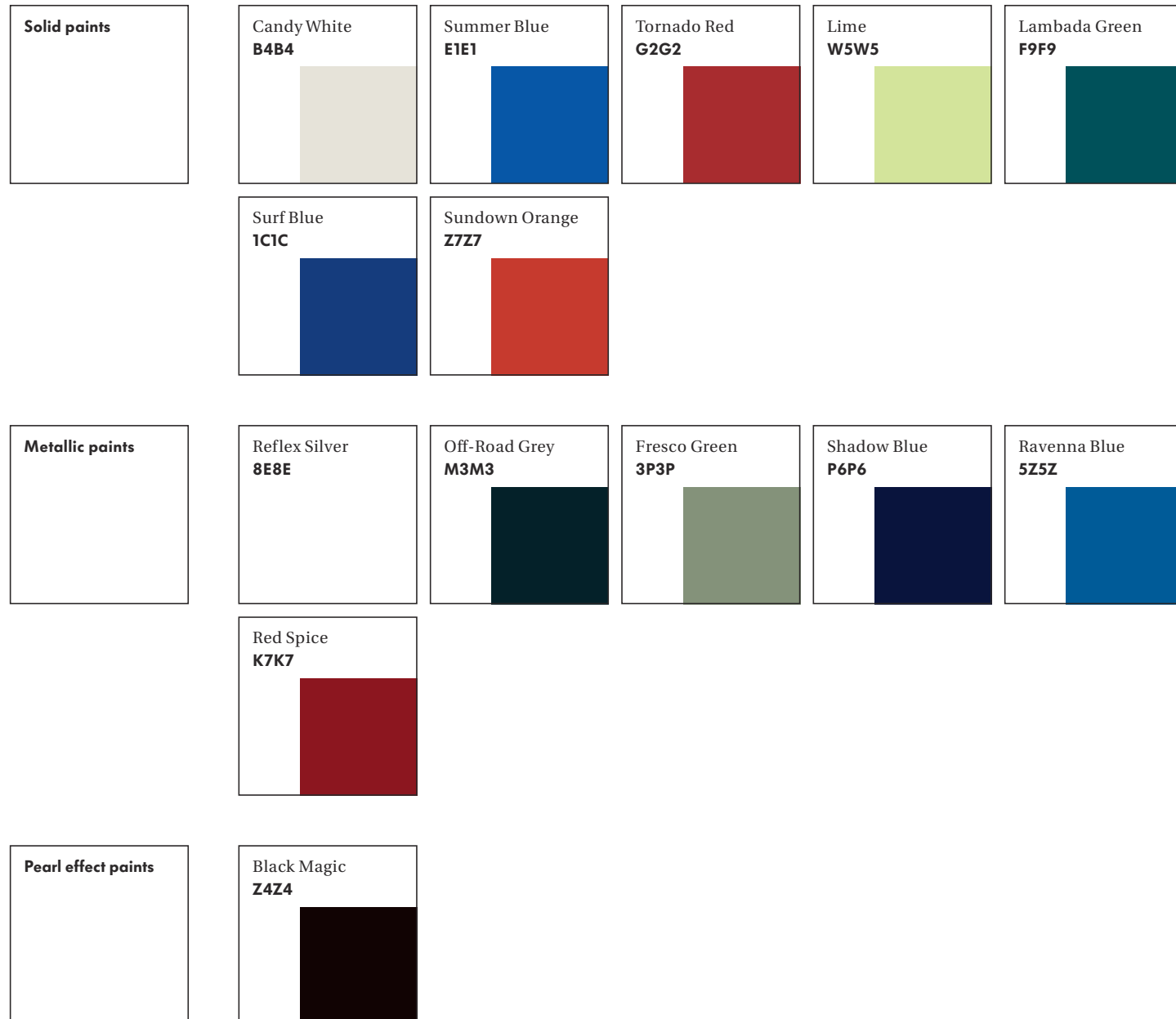


**Caddy Life 7-seater/Caddy Life EcoFuel 7-seater**

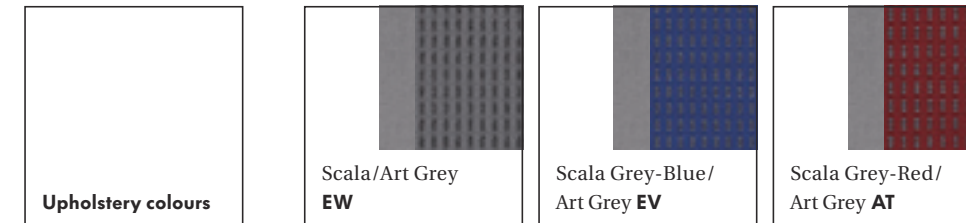


The height measurements listed here can differ by approx. ± 50 mm depending on equipment. The vehicle drawings are not to scale.

## Paint finishes.



## Seat upholstery.



Some of the vehicles shown are equipped with optional extras at extra charge. Decoration contained in the illustrations is not included in the standard specifications. The data given here on specifications, appearance, performance, weights and dimensions, fuel consumption and operating costs of the vehicles is in accordance with the information available at the time of going to print. All details of equipment and technical data are based on the features of the German market. Subject to change without notice. The product name Caddy is used by Volkswagen Commercial Vehicles with the approval of Caddie S.A. TDI® and DSG® are registered trademarks of companies in the Volkswagen Group in Germany and in other countries.

The illustrations on these pages can only be regarded as a general guide as the printing process cannot render the colours with absolute accuracy.