



The Ultimate  
Driving Experience.®

**OWN THE ROAD LESS TRAVELED.**

 **THE BMW X5 M AND BMW X6 M.**

# A HISTORY OF UNATTAINABLE. OBTAINED.

Showcased through their signature designs, BMW M vehicles have spanned their mark across the generations. From the legendary M1 that started the movement to the record-breaking X5 LM, the red and blue stripes signifying the Motorsport mark quickly became synonymous with iconic style, legendary on-road performance and exceptional handling.



**1<sup>ST</sup> GENERATION**  
The first X6 M



**1<sup>ST</sup> GENERATION**  
The first X5 M



**X5 4.8is**  
Our first sporty SAV®



**X5 LM**  
Record breaker



**THE M1**  
Our first M car



**1978-1981  
E26 M1**

With just 453 built, the original BMW M car is also the most rare. Built to allow BMW to race the platform, the M1 introduced technologies such as separate throttle bodies for the engine, and remains the only mid-engine BMW ever produced. Setting the stage for every M car that has succeeded it, the M1's influence can still be felt to this day.



**2001  
E53 X5 LM**

BMW engineers outfitted the X5 LM with a never-before-seen 6.0-litre V12 engine taken from the Le Mans champion BMW V12 LMR – capable of hitting 700 hp at 8,000 rpm. A testament to true BMW engineering, the X5 LM broke new records as it lapped the Nordschleife, launching a new era of performance.



**2004  
E53 X5 4.8is**

2004 introduced the high-performance X5 4.8is. With a powerful V8 engine pumping out 355 hp at 360 lb-ft of torque, a racecar inspired STEPTRONIC 6-speed automatic transmission, and BMW xDrive intelligent All-Wheel Drive enhancing road traction, the X5 4.8is delivered dynamic agility at every turn, and was one of the fastest SAVs in the world.



**2006-2013  
E70 X5 M**

The first-generation BMW X5 M brought new levels of performance with high-tech features like Launch Control for maximum acceleration and a 6-speed M Sport Automatic Transmission. Fusing practical utility with signature BMW M characteristics, the X5 M Sports Activity Vehicle® delivered a truly unforgettable experience.



**2008-2013  
E71 X6 M**

With 555hp and 500 lb-ft. of torque on tap, the first generation BMW X6 M was as powerful as it was stylish. BMW's xDrive All-Wheel Drive and Dynamic Performance Control systems were modified for increased stability, while the M-specific suspension included Adaptive Drive and M-tuned Servotronic power steering. With its low and aggressive stance, the X6 M was able to handle any road.





# DEFYING THE IMPOSSIBLE.

THE BMW X5 M.

The BMW X5 M delivers brute power and force paired with sophisticated styling and high-quality craftsmanship. Featuring ample storage, spacious seating, thrilling power, and exceptional performance that grips the road – the BMW X5 M truly is a Sports Activity Vehicle, ready for the ultimate adventure.





# DRIVEN TO PERFORM.

THE BMW X6 M.

Start your engines. The aggressive styling, adrenaline-pumping performance, and responsive handling let the BMW X6 M leave it all out on the road. With an unshakable determination for pushing the limits, the X6 M combines the solid stance of an SAV with the sweeping profile of a coupé. The result – beautiful form with incredible function.



# RULE THE ROAD.

The BMW X5 M and X6 M put the driver in control with racing-inspired technology. M Servotronic steering helps negotiate tight curves with precision, and Launch Control sets the ideal engine speed for rapid acceleration. An M-tuned BMW xDrive intelligent All-Wheel Drive System and double-wishbone suspension set up provides increased cornering force for unrelenting grip. Under the hood lies a roaring 4.4-litre M TwinPower Turbo V8 engine, promising instantaneous response. Bringing it all together is an M Sport Automatic Transmission with multiple driver modes for inspiring performance on any road.



567 hp



553 lb-ft



4.2 sec<sup>1</sup>

<sup>1</sup> BMW AG test results for X6 M equipped with M Sport Automatic Transmission.



# 360 DEGREES OF PERFORMANCE-DRIVEN LUXURY.

Designed for those who appreciate detail and refined for those with a passion for driving, the function-led design of the BMW X5 M and X6 M is immediately clear. From the high-powered braking system in charge of stopping in the shortest possible distance, to 3D turn-by-turn navigation that gets you where you need to be, you can immediately appreciate the details that bring it all together.



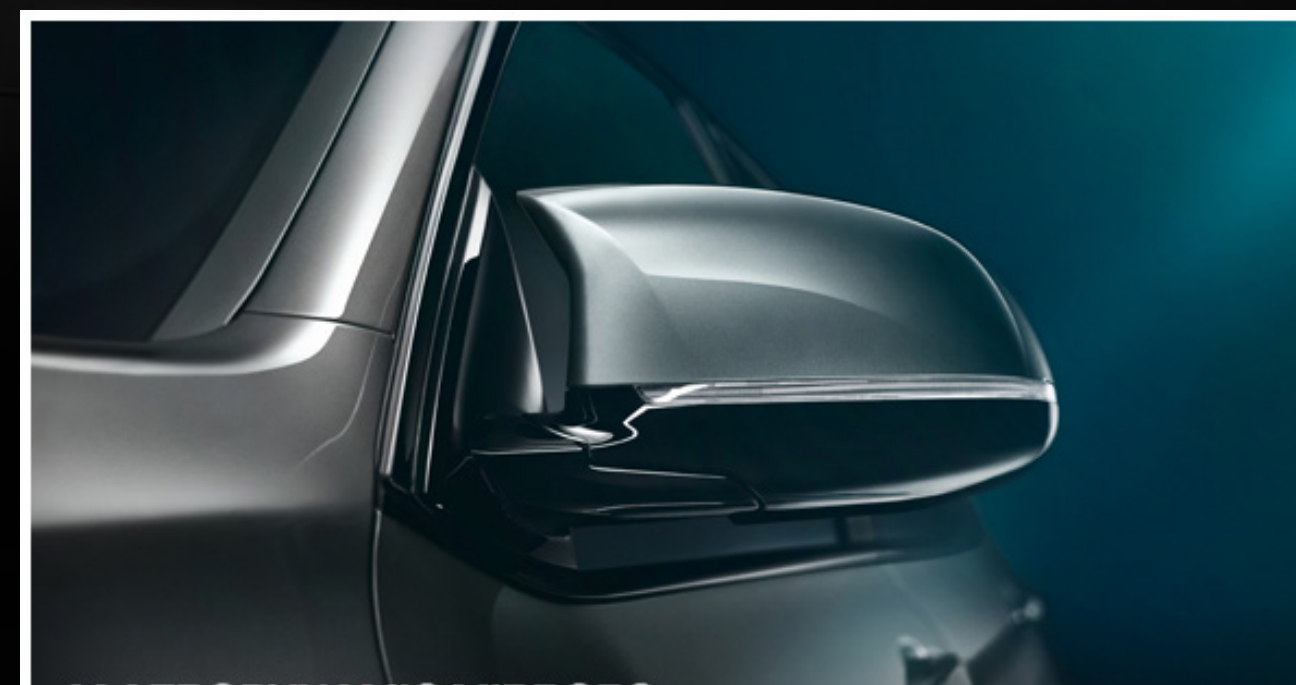
#### AIR VENTS

By channeling air along the wheelbase, aerodynamically designed vents minimize drag while cooling the brakes.



#### M COMPOUND BRAKES

High-performance brakes deliver a precise combination of stopping power, low weight and heat resistance.



#### M AERODYNAMIC MIRRORS

Performance optimized twin-stalk exterior mirrors offer unique and dynamic styling.



#### REAR DIFFUSER AND EXHAUST

Aerodynamic elements like the rear diffuser help optimize airflow, while quad tailpipes enhance the sporty look.



**M STEERING WHEEL**

M leather-wrapped steering wheel offers a thick rim to grip easily, and has shift paddles for fast gear changes.



**M MULTIFUNCTION SEATS**

Full leather M embossed multifunctional seats offer optimum stability and support through every turn.



**BMW CONNECTED DRIVE™**

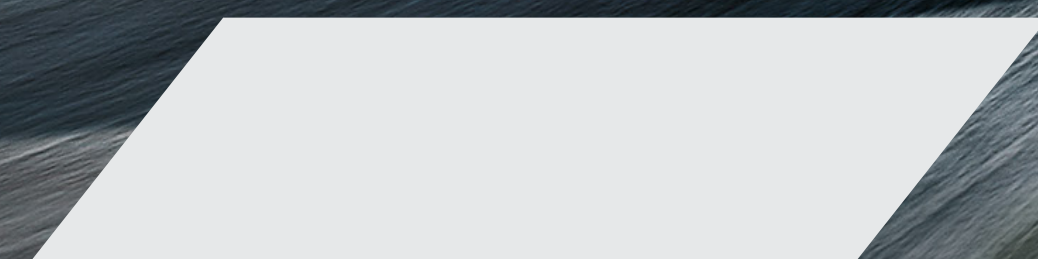
BMW ConnectedDrive with entertainment, safety and convenience features helps you stay connected on the road.

# OWN THE ROAD. IN ANY COLOUR.

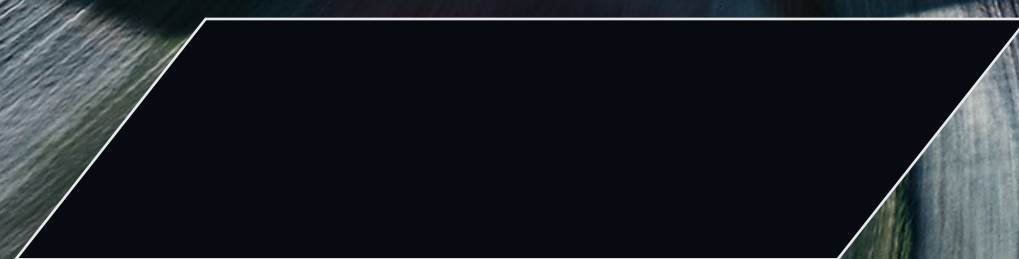
With their aggressive front air intakes, exaggerated fender flairs, Active LED Headlights, and signature chrome quad tailpipes, the X5 M and X6 M bring imposing street presence everywhere they go. And they can go almost anywhere.



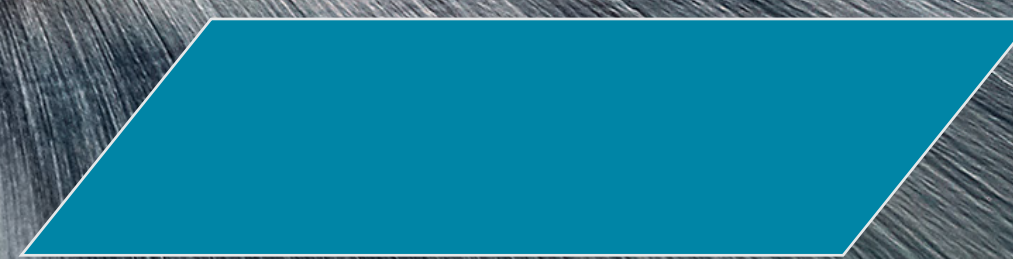
## EXTERIOR COLOURS



**300**  
Alpine White (Non-metallic)



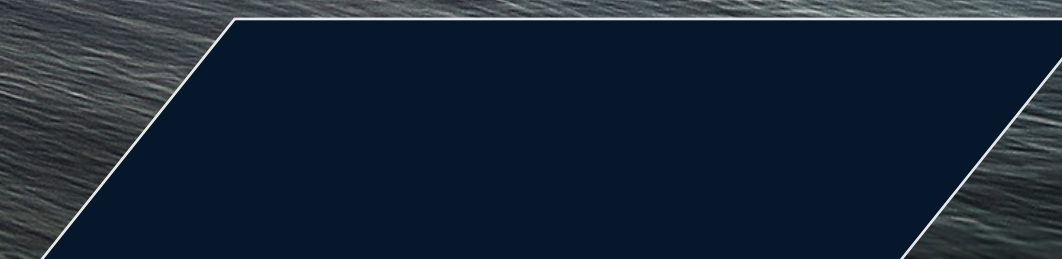
**475**  
Black Sapphire Metallic



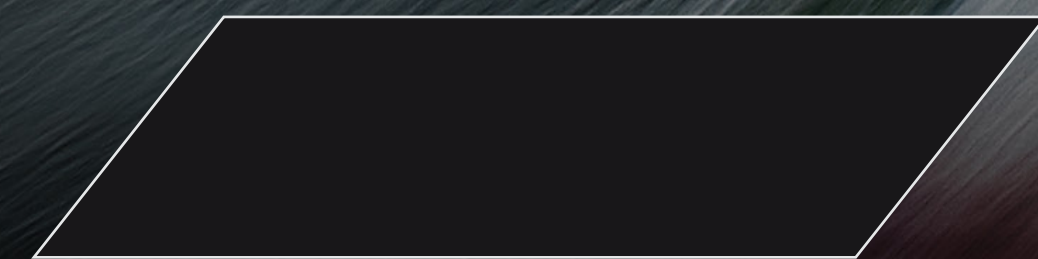
**C16**  
Long Beach Blue Metallic



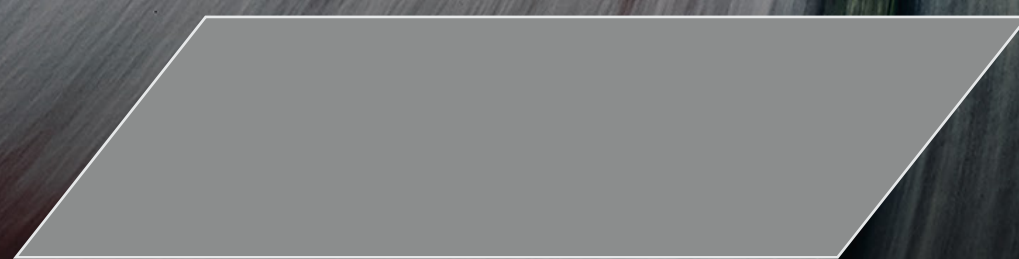
**A75**  
Melbourne Red Metallic



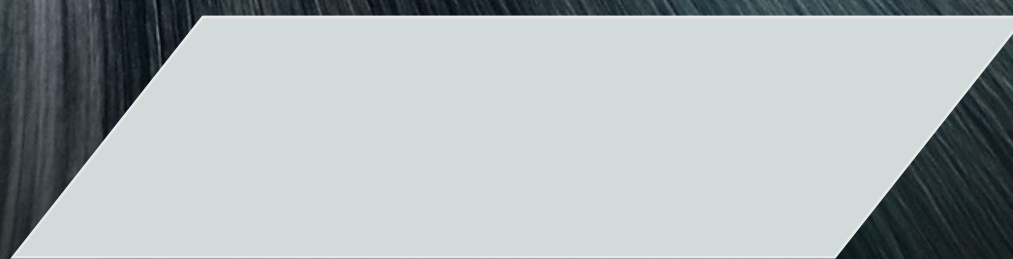
**S34**  
Azurite Black Metallic



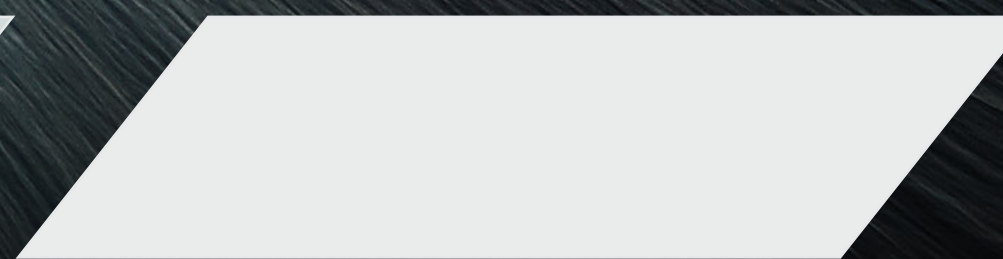
**416**  
Carbon Black Metallic



**A29**  
Silverstone Metallic



**C28**  
Donington Grey Metallic

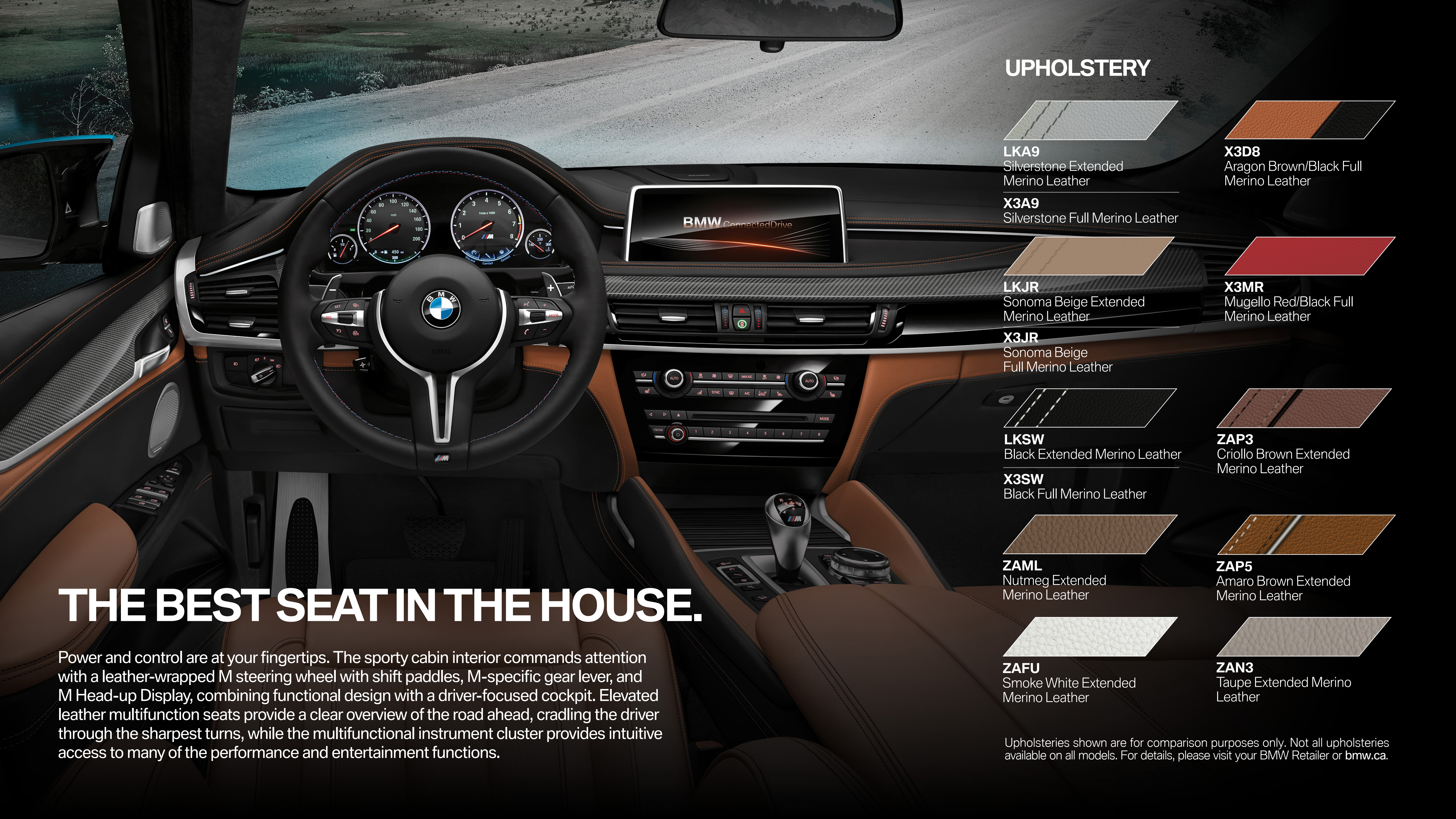


**A96**  
Mineral White Metallic



**X13**  
Pyrite Brown Metallic

Colours shown are for comparison purposes only. Not all exterior colours available in all models. For details, please visit your BMW Retailer or [bmw.ca](http://bmw.ca).



## UPHOLSTERY



**LKA9**  
Silverstone Extended  
Merino Leather



**X3D8**  
Aragon Brown/Black Full  
Merino Leather

**X3A9**  
Silverstone Full Merino Leather

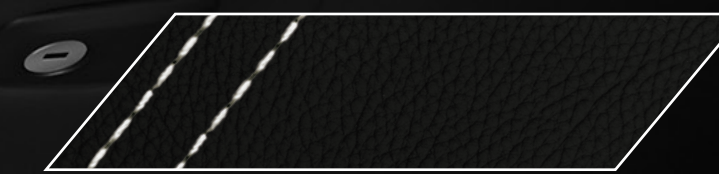


**LKJR**  
Sonoma Beige Extended  
Merino Leather



**X3MR**  
Mugello Red/Black Full  
Merino Leather

**X3JR**  
Sonoma Beige  
Full Merino Leather



**LKSW**  
Black Extended Merino Leather

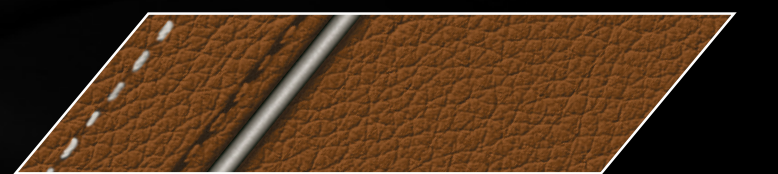


**ZAP3**  
Criollo Brown Extended  
Merino Leather

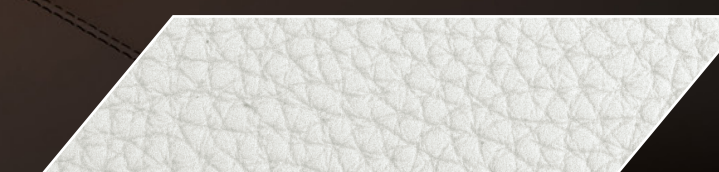
**X3SW**  
Black Full Merino Leather



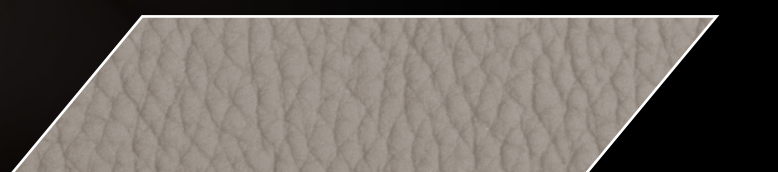
**ZAML**  
Nutmeg Extended  
Merino Leather



**ZAP5**  
Amaro Brown Extended  
Merino Leather



**ZAFU**  
Smoke White Extended  
Merino Leather



**ZAN3**  
Taupe Extended Merino  
Leather

# THE BEST SEAT IN THE HOUSE.

Power and control are at your fingertips. The sporty cabin interior commands attention with a leather-wrapped M steering wheel with shift paddles, M-specific gear lever, and M Head-up Display, combining functional design with a driver-focused cockpit. Elevated leather multifunction seats provide a clear overview of the road ahead, cradling the driver through the sharpest turns, while the multifunctional instrument cluster provides intuitive access to many of the performance and entertainment functions.

Upholsteries shown are for comparison purposes only. Not all upholstery available on all models. For details, please visit your BMW Retailer or [bmw.ca](http://bmw.ca).

## X5 M

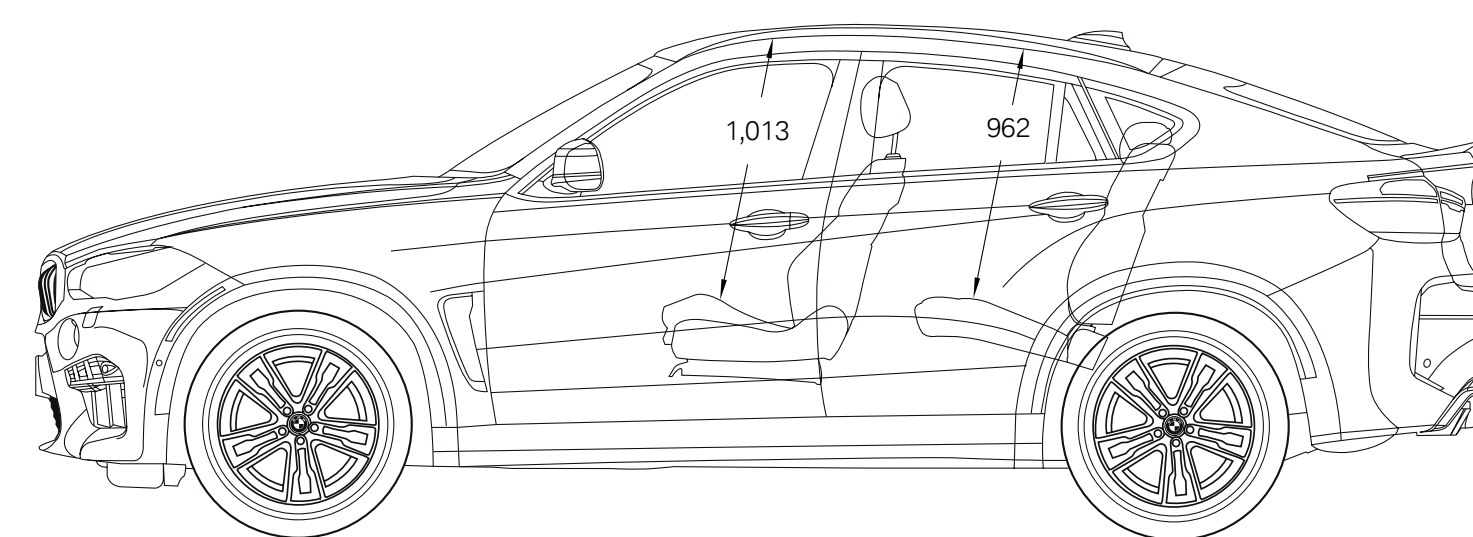
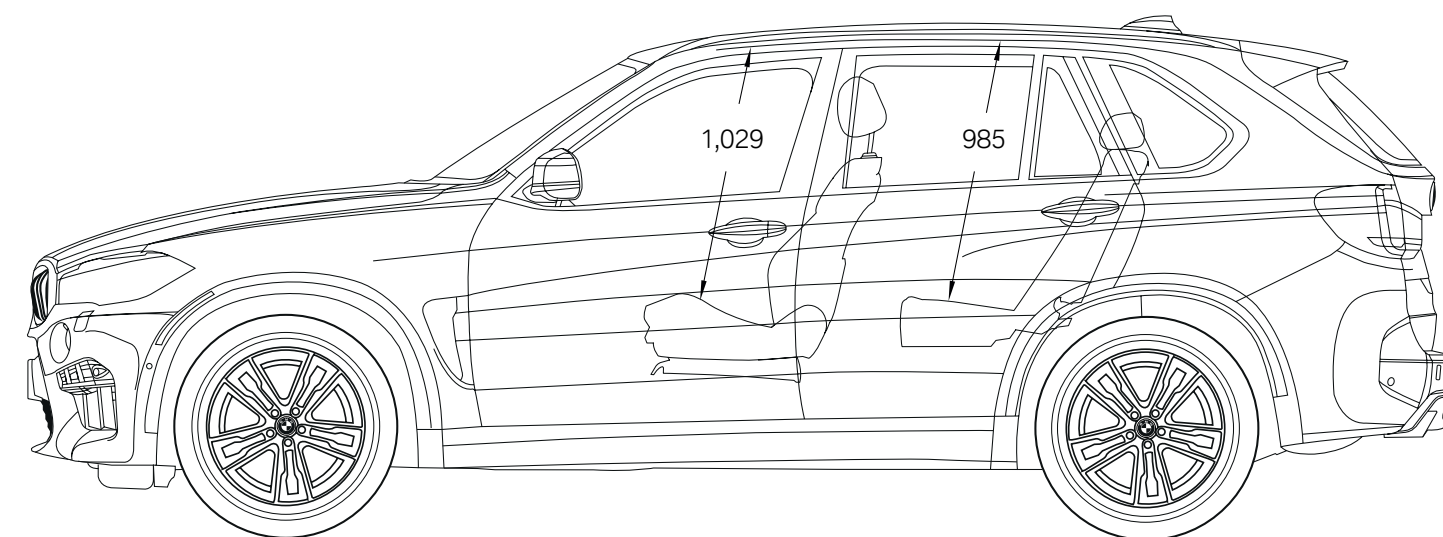
### TECHNICAL DATA

Performance	
Engine – TwinPower Turbo	V8
Displacement (cm <sup>3</sup> )	4,395
Output (hp @ rpm)	567 @ 6,000-6,500
Torque (lb-ft @ rpm)	553 @ 2,200-5,000
0–100 km/h (sec)	4.2
Fuel Consumption	
City (L/100 km)	16.6
Highway (L/100 km)	12.1
Combined (L/100 km)	14.6

## X6 M

### TECHNICAL DATA

Performance	
Engine – TwinPower Turbo	V8
Displacement (cm <sup>3</sup> )	4,395
Output (hp @ rpm)	567 @ 6,000-6,500
Torque (lb-ft @ rpm)	553 @ 2,200-5,000
0–100 km/h (sec)	4.2
Fuel Consumption	
City (L/100 km)	16.6
Highway (L/100 km)	12.1
Combined (L/100 km)	14.6



Figures in [ ] refer to vehicles with manual transmission. Figures subject to change. Not all packages available in all models. Please visit your BMW Retailer or [bmw.ca](http://bmw.ca) for the most up-to-date information.





## 2017 X5 M PACKAGES.

### PREMIUM PACKAGE

Manual Side Sunshades

Ventilated Seats

M Multifunction Seats

Active Blind Spot Detection

Active Protection

Driving Assistant

Surround View

Park Distance Control, Front and Rear

SiriusXM™ Satellite Radio Tuner with 6-month Subscription

Apple CarPlay™

Extended Smartphone

Connectivity w/Wireless Charging

WiFi Hotspot 3GB/3-month trial

Anthracite Alcantara Roofliner

BMW Connected Drive™ Services

Speed Limit Info

Please visit your BMW Retailer or [bmw.ca](http://bmw.ca) for the most up-to-date information.



## 2017 X6 M PACKAGES.

### PREMIUM PACKAGE

Manual Side Sunshades

Ventilated Seats

M Multifunction Seats

Active Blind Spot Detection

Active Protection

Driving Assistant

Surround View

Park Distance Control, Front and Rear

SiriusXM™ Satellite Radio Tuner with 6-month Subscription

Apple CarPlay™

Extended Smartphone

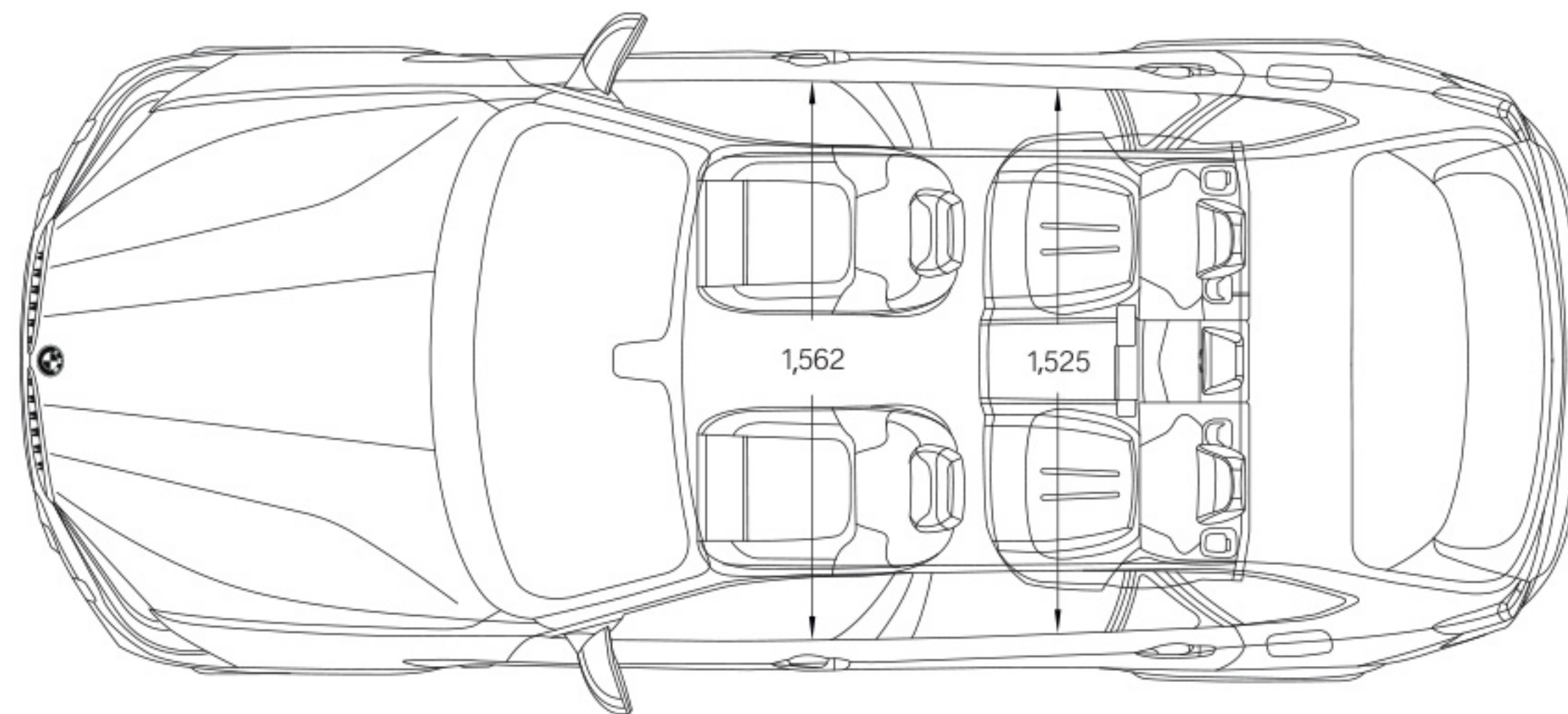
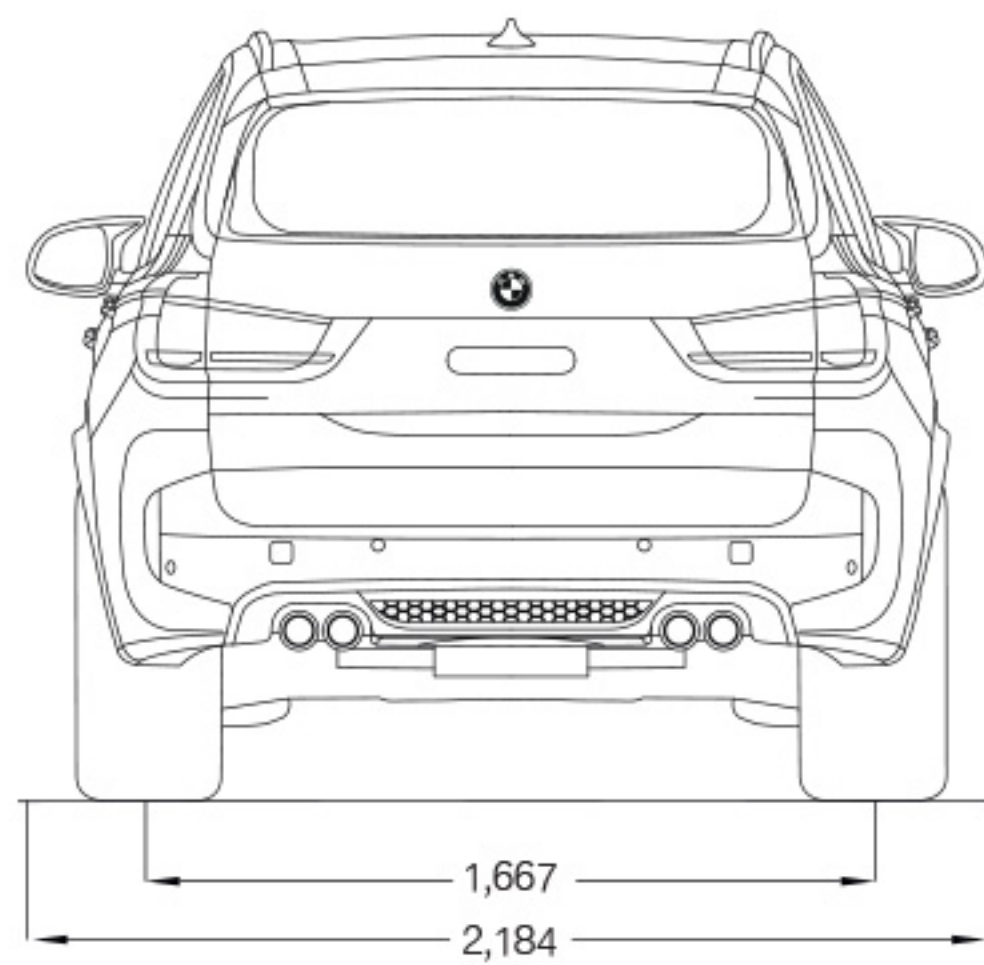
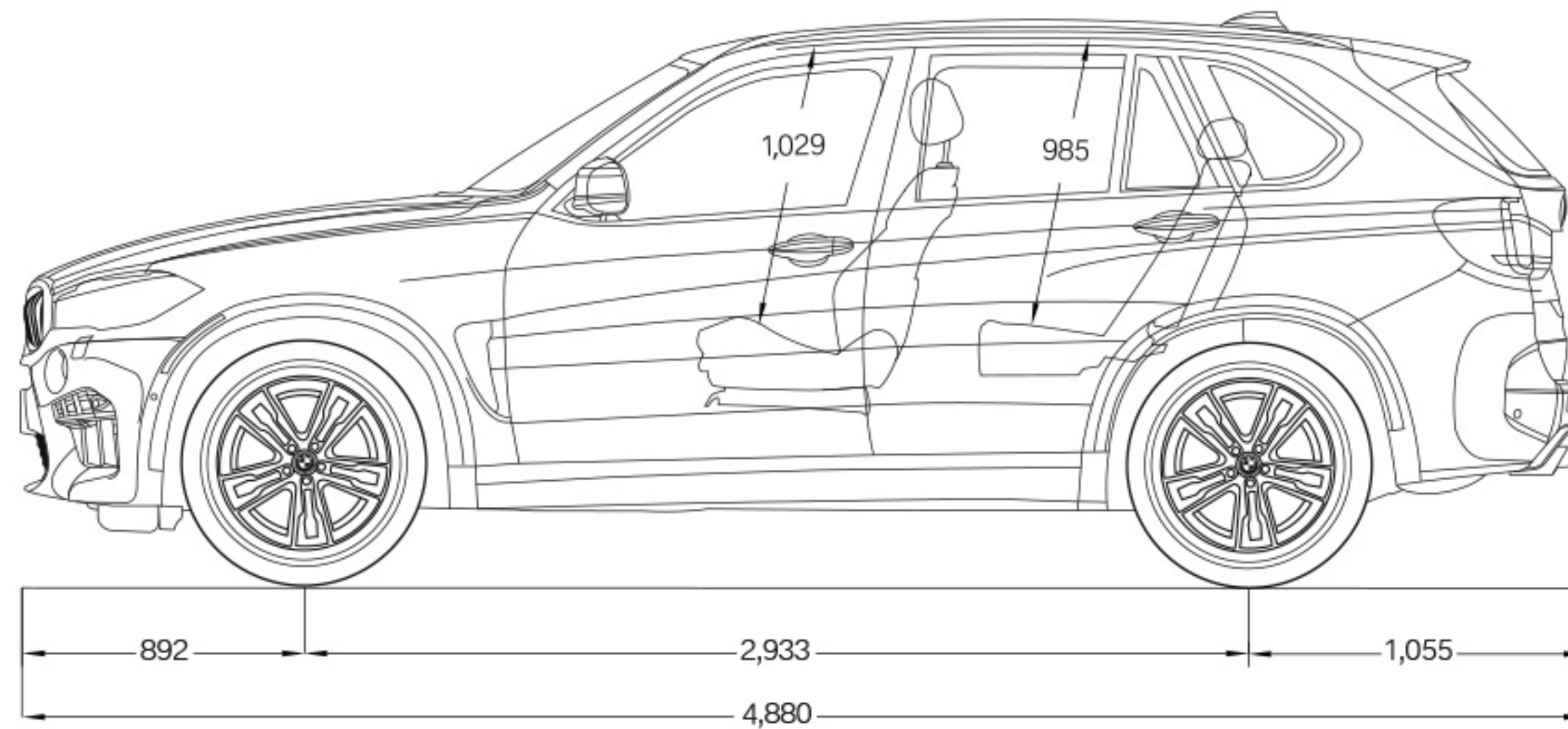
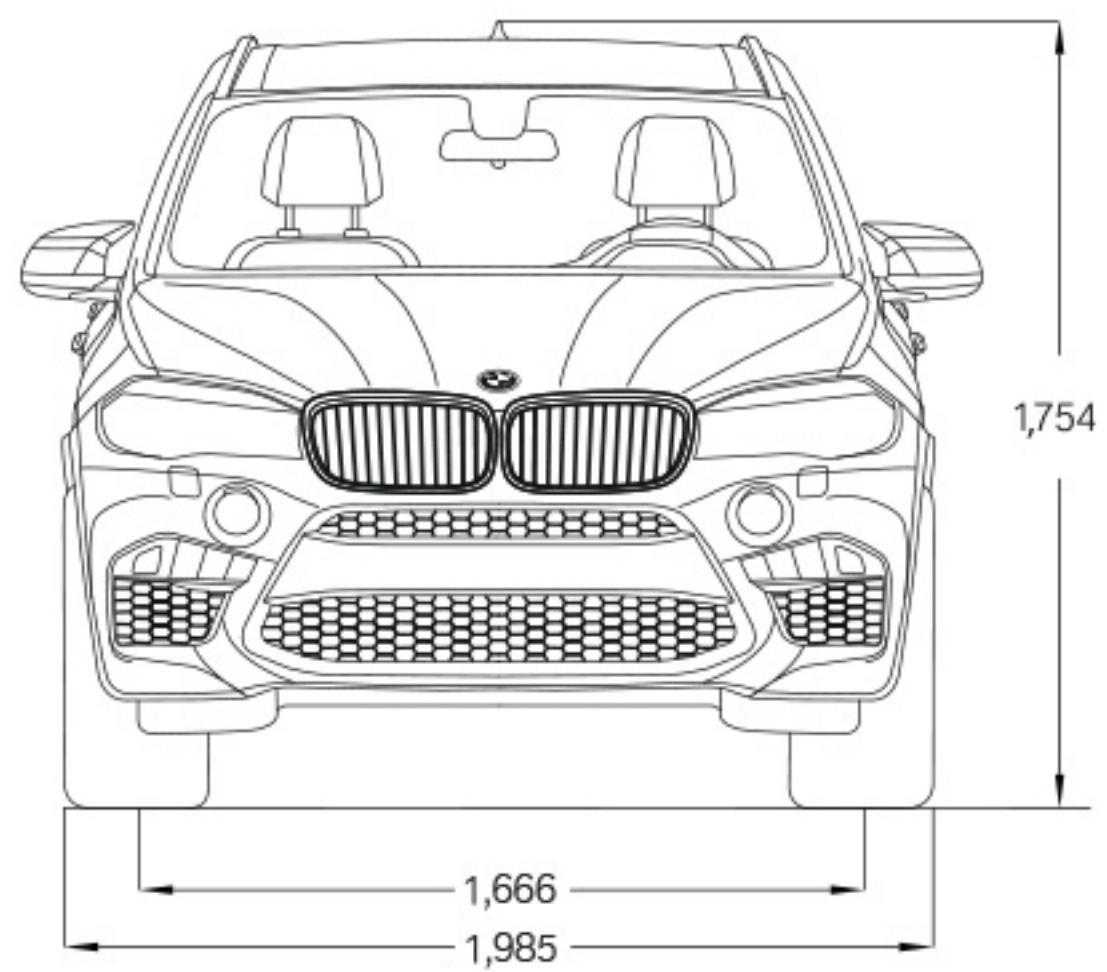
Connectivity w/Wireless Charging

WiFi Hotspot 3GB/3-month trial

Anthracite Alcantara Roofliner

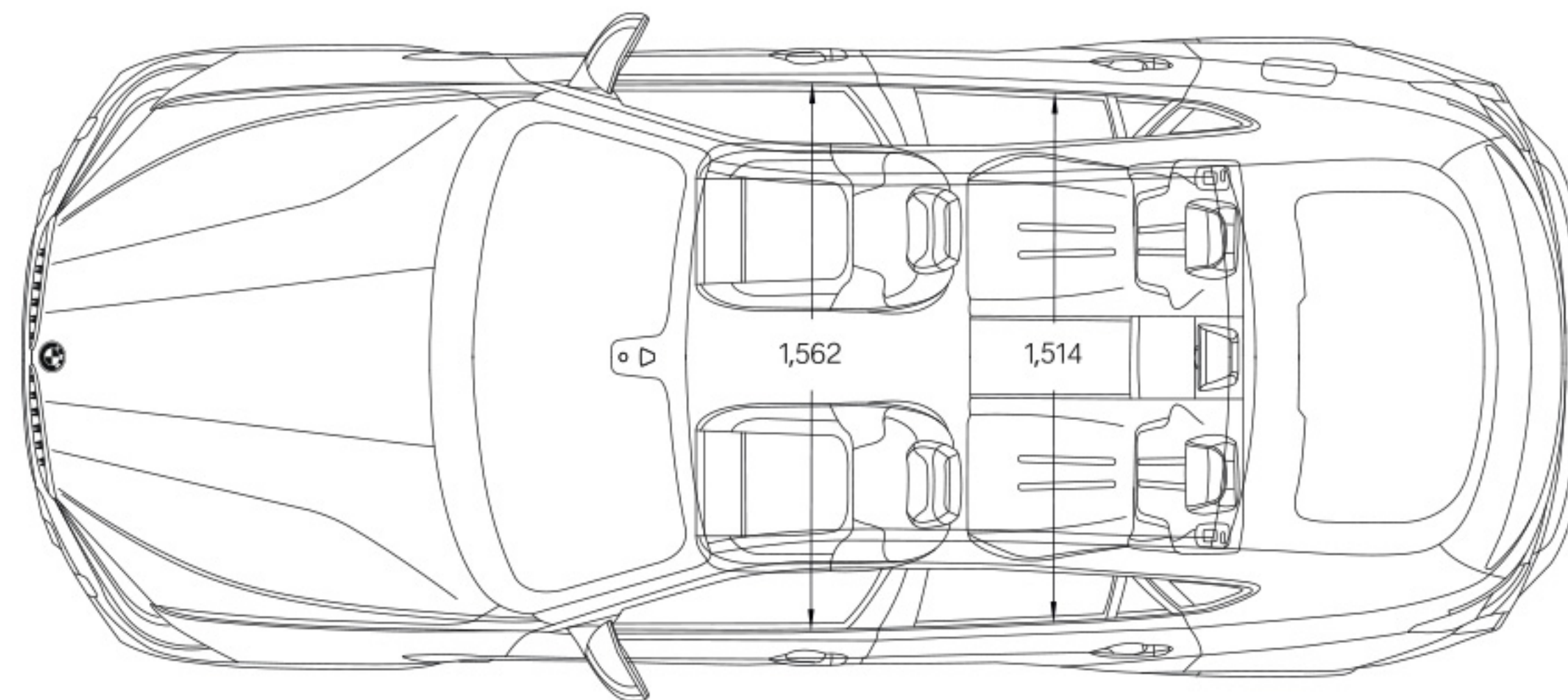
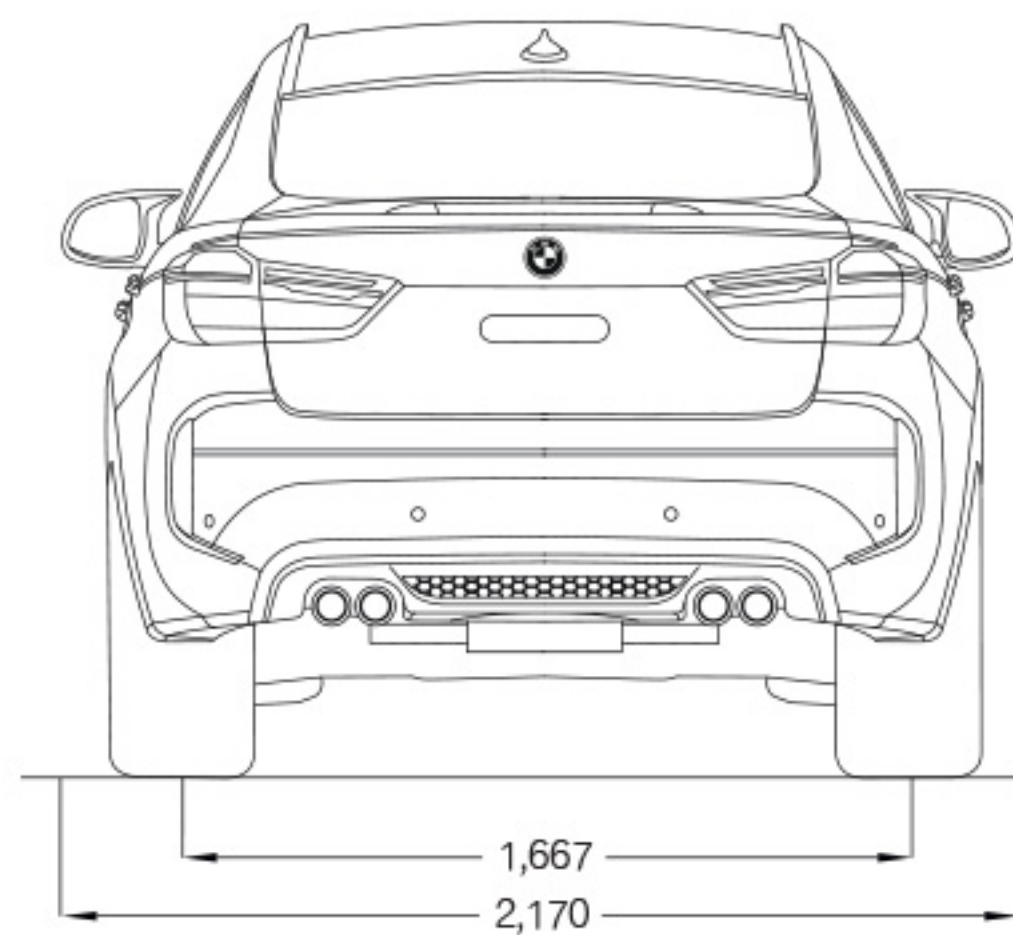
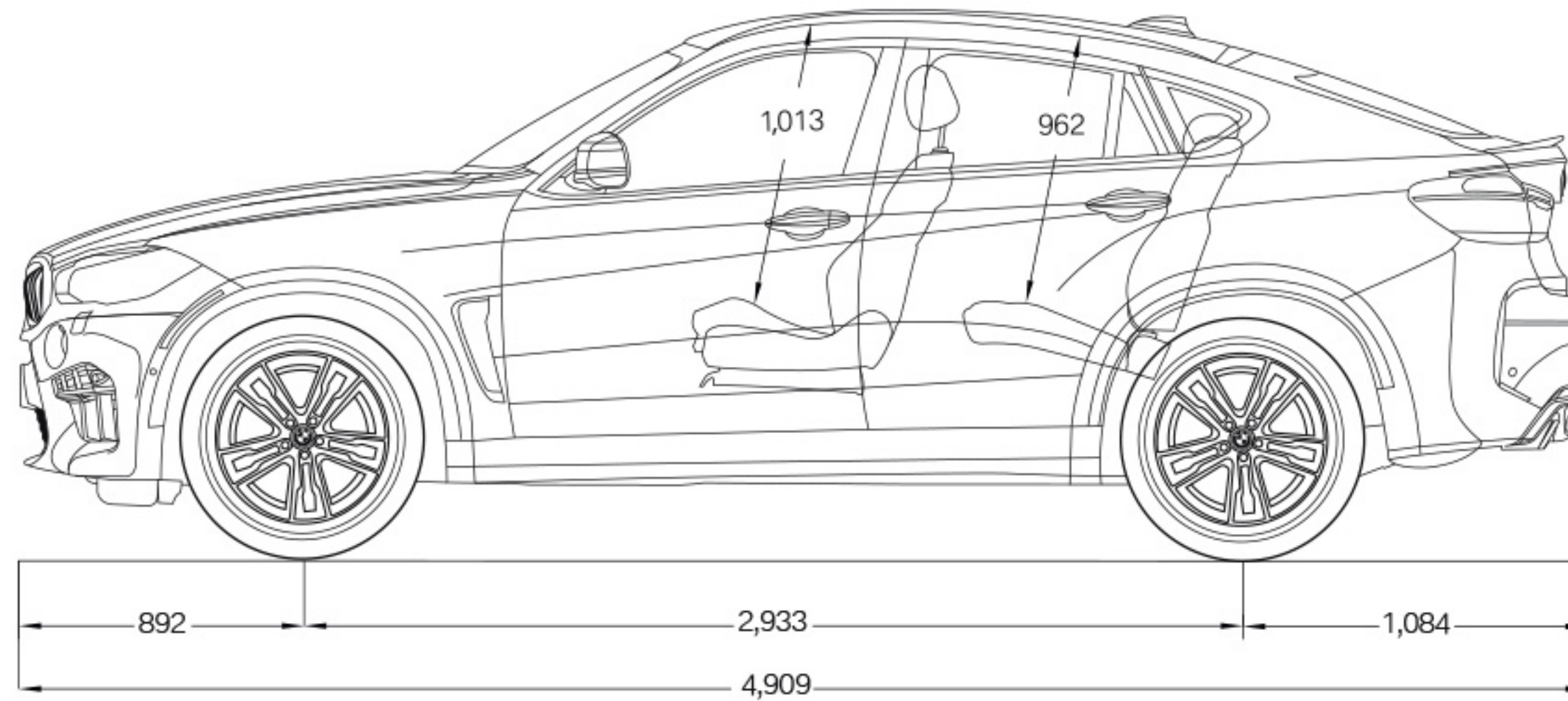
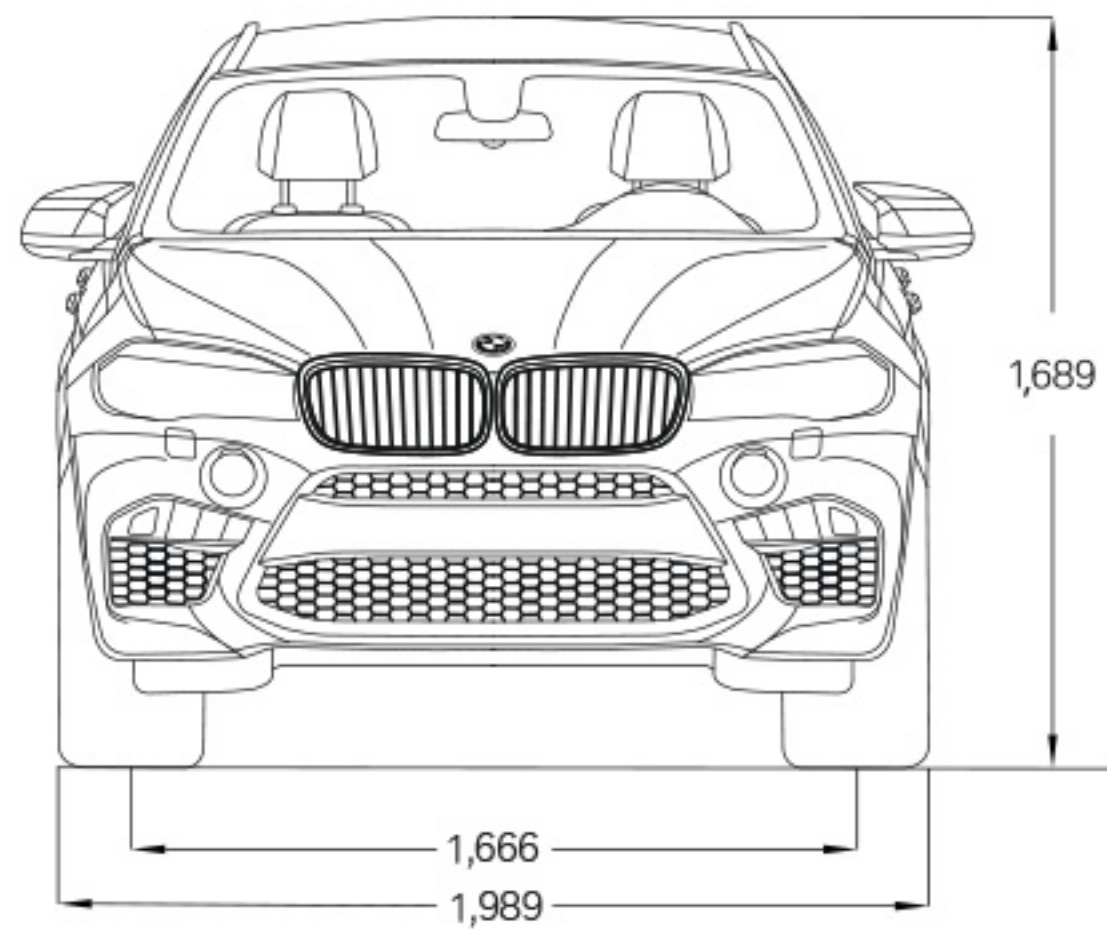
BMW Connected Drive™ Services

Speed Limit Info



**THE BMW X5 M.**

Dimensions are given in millimetres.



**THE BMW X6 M.**

Dimensions are given in millimetres.



**The Ultimate  
Driving Experience.®**

All specifications, standard features, accessories, equipment, options, fabrics, and colours are based on product information available at the time of upload. BMW reserves the right to revise specifications at any time, without notice. Illustrations are representative only. BMW may determine the Model Year designation of its vehicles. Models may be shown with features, accessories, equipment, options, fabrics, and/or colours not available in Canada, or available only at extra cost, or available only on particular models. While BMW takes care to ensure that the information contained in this brochure is accurate, it cannot guarantee complete accuracy. BMW is not responsible for errors or omissions contained in this brochure. Further information about the products shown in this brochure can be obtained from your authorized BMW Retailer and at [bmw.ca](http://bmw.ca).

©2017 BMW Canada Inc. "BMW", the BMW logo, BMW model designations and all other BMW related marks, images and symbols are the exclusive properties and/or trademarks of BMW AG, used under licence.