



**8 YEARS
WARRANTY**
MITSUBISHI PASSENGER VEHICLES



ASX



STYLISH & VERSATILE

With Mitsubishi ASX, life is never dull. Rain or shine, city or countryside, your days become brighter no matter where you want to be. The active, sleek, and agile cross-over gives you the freedom to grab your keys and take off.

Just the Right Style

With all the work that has gone into condensing ASX to just the right size for active driving fun, you may be surprised at all the spacious comfort that awaits you and your passengers inside.

Everyone will enjoy the soothing leather upholstery and rear seat passengers will be impressed with the leg and headroom. Numerous storage compartments have been placed throughout the interior, giving you plenty of room for all the extras you want to take along.



Elevated Seating Position

Once behind the wheel, you'll find that even with its aerodynamic form, ASX gives you a surprisingly elevated seat position. Combined with the sloping bonnet design, this provides a better view of the road for easier manoeuvring and greater safety. The raised hip point also allows for smoother entrances and exits, and makes even long journeys more comfortable.



Functional Features - standard



Leather Seats



Rearview Camera & Touch Screen Audio Display



Cruise Control & Bluetooth Connectivity



USB Port / Link System / 12V Power Outlet



Slide-Adjustable Front Centre Armrest with Compartments



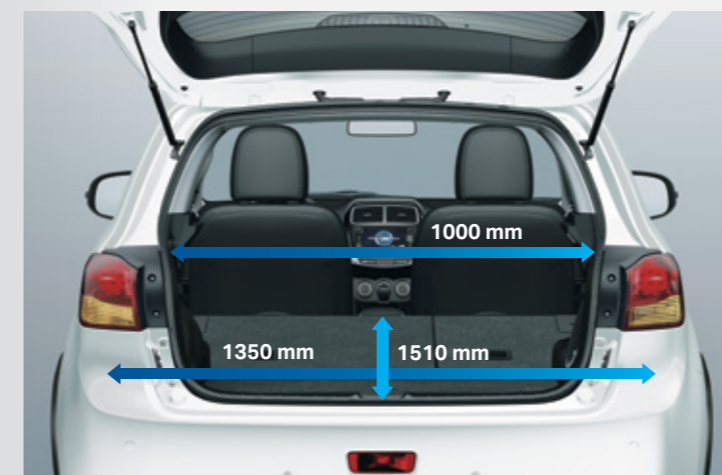
Colour LCD Multi-Information Display

Cargo Capacity

No matter where you're headed, ASX lets you carry whatever you need for when you get there. Even with 5 passengers there's up to 419 litres of available cargo capacity, including cargo floor compartment space. The easy-opening tailgate is wide enough to provide ample space for even the bulkiest items, and the low floor height makes it convenient to move heavy cargo in and out. An underfloor compartment is also included, giving you a handy, out-of-the-way storage space.

Full-Flat Rear Seat / 60:40 Split Foldable Seatback

To carry even larger items, the rear seat can be folded down completely flat to create an expansive cargo space. The 60:40 split rear seat can also be partially folded down, giving you the room to carry bicycles or other extra-long items, while still having rear seating available.



Intelligent Motion



1.6-Litre Di-D Turbo Engine

With the clean efficiency of diesel, ASX provides smooth power and responsible fuel consumption. The 1.6-litre DI-D turbo engine delivers both on-demand torque for energetic starts and a maximum output of 116PS for cruising satisfaction.

1.6-Litre MIVEC Engine

You can also enjoy the optimal performance and environmental friendliness of the fuel-efficient 1.6-litre MIVEC engine.

Auto Stop & Go System

Auto Stop & Go (AS&G) shuts off the engine at traffic stops, cutting fuel waste and CO₂ emissions without disrupting the electronic systems. The engine restarts immediately, so you'll never be left waiting.

Safety systems may override the Auto Stop & Go (AS&G) depending upon the situation. Please refer to the Owner's Manual.

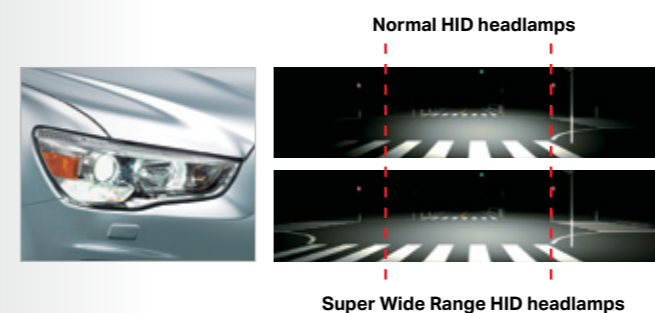


Five Stars for Safety



7-Airbag System

So that you and your passengers can be safer in the event of a collision, ASX is equipped with a 7-airbag system to provide increased safety to every seat. The front seat occupants are protected by front airbags, plus an additional knee airbag for the driver to help protect the legs in a forward collision. In a side collision, the front occupants are protected by side airbags and occupants in both rows are protected by curtain airbags extending along the sides.



Super Wide Range HID Headlamps

What you can't see, can hurt you. To take more of the road out of the shadows, ASX features Super Wide Range HID (High Intensity Discharge) headlamps. When activated, the headlamp clusters send out broader beams of light, illuminating a much wider section of the road ahead.



Lateral Rear-Wheel Slippage

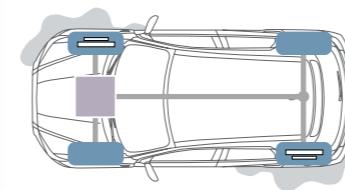
Braking force is applied to the outer front wheel to prevent spin-out.

Lateral Front-Wheel Slippage

Braking force is applied to the inner rear wheel to prevent front-end drift.

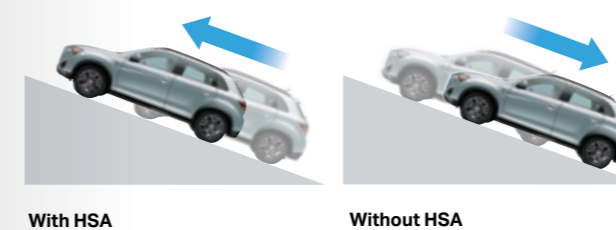
Active Stability Control (ASC)

ASC intuitively recognizes when you over-steer or under-steer and applies brake force to appropriate wheels to keep you online through corners.



Active Traction Control (ATC)

ATC helps the ASX maintain traction on the most slippery or rugged surfaces. ATC automatically controls the engine's output so driving wheels are prevented from spinning. Sensing loss of traction in independent wheels, ATC applies braking force to that particular wheel and sends extra power and torque to other wheels with traction, to keep the vehicle moving.



Hill Start Assist (HSA)

HSA makes it easy to start off on a steep uphill slope by preventing the vehicle from rolling backward. When a gradient is detected, it automatically maintains the braking force until the accelerator is applied.

Exterior Colours

Cool Silver Metallic (A31)



Granite Brown Metallic (C06)



Orient Red Metallic (P26)



Titanium Grey Metallic (U17)



Silky White Metallic (W13)



Frost White Solid (W37)



Amethyst Black Metallic (X42)



Exterior Styling - standard



Electric Door Mirrors with Folding Function & Turn Lamps



LED Type Daytime Running Lights & Foglights



18" Alloy Wheels



Super Wide Range Xenon Headlamps with Headlamp Washer



Rain Sensor



Parking Sensors

Accessories

Talk to your Mitsubishi Dealer about the full range of accessories available



Side Wind Deflector Set



Roof Carrier Set



Tow Bar Fixed



Front Styling Element



Trunk Tray



Textile Mat Set

ASX 1.6 Petrol Instyle

ASX 1.6 DI-D Instyle AS&G

Exterior

18" Alloy Wheels, 225/55 R18 Tyres	•
Electric / Heated / Folding / Colour-keyed Door Mirrors	•
Side Indicator Integrated Door Mirror Housing	•
LED Type Daytime Running Lights (DRL)	•
Xenon Headlamps "Super wide range HID headlights", Front Turn Lamps & Auto Levelling	•
Front Foglights with Chrome Bezels	•
Headlamp Washer	•
Rear Privacy Glass	•
Rain Sensor Wipers & Auto Light Control	•
Front Grille with Chrome Surround	•
Chrome Beltline Moulding	•
Wheel Arch Garnish	•
"Coming Home" & "Welcome Home" Lights	•
Colour-keyed Outer Door Handles & Rear Spoiler	•
Black Roof Rails	•
Tyre Repair Kit	•

Interior Styling & Storage

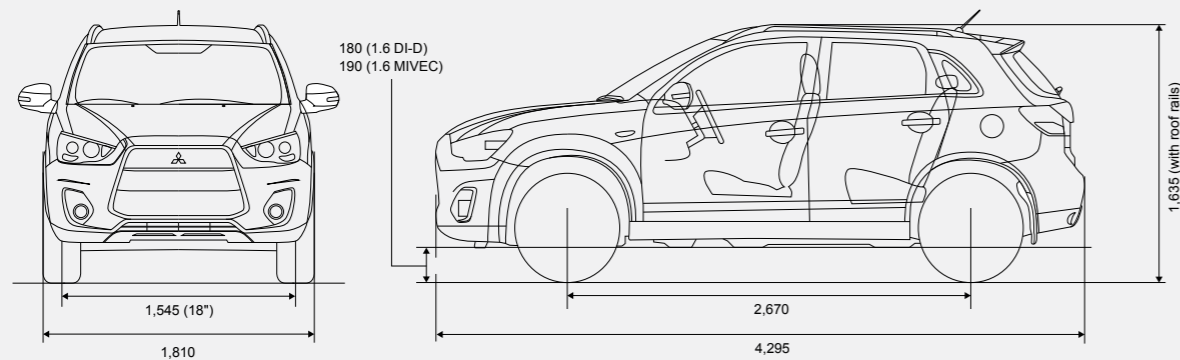
Leather Seat Upholstery	•
Multi-function Leather Steering Wheel with Piano Black Garnish / Leather Gearshift Knob	•
Auto Dimming Rear View Mirror	•
Sun Visors with Vanity Mirrors, Illumination & Ticket Holder (Driver & Passenger)	•
Gloss Black Painting Center Panel & Silver Ornament	•
Chrome Inner Door Handle, Air Outlet Knob with Chrome Surround	•
Rear Seats 60:40 Split Foldable Seat Back	•
Front Centre Armrest with Integrated Storage & Sliding Function, Rear Centre Armrest with Cup Holders	•
Cup Holders on Front Console & Bottle Holders	•
Cargo Room Floor Box & Floor Hooks x4	•

Comfort & Convenience

Automatic Air Conditioning	•
Cruise Control	•
Electric Windows, Front & Rear with Anti-trapping Function	•
Remote Central Locking with Keyless Entry System	•
Bluetooth Handsfree System with Voice Control	•
Touch Screen Audio Display with LW/MW/FM Radio, CD/MP3 and 6 Speakers	•
USB Port / i-Pod Connectivity	•
Remote Audio Controls	•
Rear View Camera & Rear Parking Sensors	•
Full Colour Multi-information Display incl. External Temperature Gauge	•
Hi-contrast Combination Meter Cluster with Colour LCD	•
Accessory Socket x2	•
Height Adjustable Driver's Seat	•
Tilt & Telescopic Adjustable Steering Wheel	•

Safety

Active Stability Control (ASC) with Traction Control (TCL)	•
Hill Start Assist (HSA)	•
Anti-lock Brake System (ABS) with Electronic Brakeforce Distribution (EBD) & Brake Assist	•
Emergency Stop Signal System (ESS)	•
Front & Side Airbags (Driver & Front Passenger), Driver Knee Airbag, Curtain Airbags (1st and 2nd row)	•
Tyre Pressure Monitoring System	•
Passenger Airbag Cut-off Switch	•
3-Point ELR Seat Belt x5 with Pretensioner and Force-limiter (Front)	•
ISOfix Child Seat Anchor x2, Rear Door Child Locks	•
Electronic Immobiliser	•
Tonneau Cover	•



All measurements in millimetres

MODEL	ASX 1.6 Petrol 5-Speed Manual Instyle	ASX 1.6 DI-D 6-Speed Manual Instyle AS&G
Engine		
Type	1.6 MIVEC	1.6 I/C T/C Diesel AS&G
Total displacement (cc)	1,590	1,560
Max output (EEC net) (kW(PS)/rpm)	86(117)/6,000	84(116)/3,600
Max torque (EEC net) (Nm/rpm)	154/4,000	270/1,750
Performance		
Acceleration, 0-100 km/h (sec)	11.5	11.2
Max speed (km/h)	183	182
Fuel consumption (lit/100km)		
Urban	7.4	5.2
Extra Urban	5.0	4.2
Combined	5.9	4.6
CO2, combined (g/km)	136	119
Towing capacity		
with brake (kg)	1,200	1,400
w/o brake (kg)	665	695
Fuel System		
Fuel type	Unleaded / RON95	Diesel
Fuel supply equipment	Electronically Controlled Injection	"Electronically Controlled Injection (Common Rail System)"
Fuel tank capacity (litre)	63	60
Transmission		
Gear Ratio		
1st	3.727	3.833
2nd	1.947	2.047
3rd	1.343	1.303
4th	0.976	0.975
5th	0.804	0.744
6th	-	0.659
Reverse	3.727	3.545
Final	4.333	4.058
Suspensions		
Front	MacPherson strut	
Rear	Multi link	
Brakes		
Front	Ventilated disc brakes	
Rear	Disc brakes	
Steering		
Type	Rack and pinion with electronic power assist	
Dimensions & Weights		
Overall length (mm)	4,295	
Overall width (mm)	1,810	
Overall height (mm)	1,635	
Wheelbase (mm)	2,670	
Kerb weight (kg)	1,267	1,327
Gross vehicle weight (kg)	1,870	1,980

OUTSTANDING AFTER SALES FOR CAREFREE MOTORING



PEACE OF MIND AS STANDARD

While our vehicles enjoy a strong reputation for reliability Mitsubishi Motors Ireland proves this by providing a confident 8 Year / 150,000km (whichever comes first) warranty as standard on all passenger vehicles.

If you sell your Mitsubishi vehicle before the warranty expires, you can even transfer it to the new owner making it even more attractive to buyers and helping you better maintain the car's value.

Warranty terms and conditions apply - see mitsubishi-motors.ie.

FREE ANNUAL VEHICLE HEALTH CHECK

Your Mitsubishi Motors Ireland warranty is strictly subject to the presentation of your vehicle to an authorised Mitsubishi Motors dealer in the Republic of Ireland at least once every year, or every 15,000 Kms, whichever comes first. The dealer must be given the opportunity to complete the mandatory Mitsubishi Motors vehicle health check when your vehicle is presented. The free annual vehicle health check can be completed independently of a service or it can be performed in conjunction with a scheduled service. Free Vehicle Health Check terms and conditions apply.

MITSUBISHI MOTORS GENUINE PARTS

Mitsubishi Motors Genuine Parts have been developed and tested to stringent quality standards. It is recommended to use Mitsubishi Motors Genuine Parts in order to maintain the safety and integrity of your vehicle and that of your passengers. Mitsubishi Motors Genuine Parts are available at all Mitsubishi Authorised Service Points. All Mitsubishi Motors Genuine Parts have a 2 year guarantee. Terms & conditions apply.



MAP – MITSUBISHI ASSISTANCE PACKAGE

In order to demonstrate our commitment to your mobility and the faith we have in the reliability of our vehicles, you will receive a free MAP card valid for 5 years with your new Mitsubishi. With MAP your mobility is guaranteed in more than 30 countries throughout Europe, should you ever need assistance in the event of breakdown, accident, theft or vandalism.

Wherever you are, 24 hours a day, 7 days a week – just call the number on your card and the problem will be fixed on the spot. If it's more serious, your car will be taken to the nearest Mitsubishi dealer and you'll be offered services such as a hotel, continuation of journey, a replacement car and vehicle repatriation.

Around 2,500 Mitsubishi Motors Authorised Service Points in Europe are committed to helping you wherever you are.

Mitsubishi Motors Ireland

Mitsubishi House, JFK Drive, Naas Road, Dublin 12

Phone: 1890 41 51 61

Email: info@mitsubishi-motors.ie

Find us on:



Facebook



Twitter



Instagram

mitsubishi-motors.ie

Images shown are for illustrative purposes, and may show optional equipment. The right is reserved to change specifications and features without prior notice. Please consult your local Mitsubishi Dealer for details.