



**MITSUBISHI  
MOTORS**

**8 YEARS  
WARRANTY**

**MITSUBISHI PASSENGER VEHICLES**



**ASX**

# MORE ACTIVE, FOR MORE ADVENTURE

Let the road become your playground in the new Mitsubishi ASX, a compact SUV built for powerful driving pleasure. From its fierce new face and the advanced safety technology to new interior details, the ASX has been completely revamped to inspire unique urban adventures. So grip the wheel and feel the adrenaline rush as you cruise the streets in this elegantly rugged SUV.



# Just the Right Style

With all the work that has gone into condensing ASX to just the right size for active driving fun, you may be surprised at all the spacious comfort that awaits you and your passengers inside.

Everyone will enjoy the soothing soft fabric upholstery and rear seat passengers will be impressed with the leg and headroom. Numerous storage compartments have been placed throughout the interior, giving you plenty of room for all the extras you want to take along.



## High Hip Point and Good Visibility

ASX provides a surprisingly elevated seat position that, with the sloping hood design, gives a better view of the road for easier maneuvering and greater safety. The raised hip point also allows for smoother entrances and exits, and greater comfort.



# Smartphone Link Display Audio

Enjoy the functionality, intuitive control and convenience of your mobile device with Apple CarPlay or Android Auto™. Before you start your journey, just connect your iPhone or Android™ to the USB port and control your favourite apps on the built-in 7-inch display touch screen. Smartphone Link Display Audio also offers hands-free phone and music functions via Bluetooth®, plays content from devices such as USB connected digital audio players, provides features such as AM/FM and DAB, and displays special ASX functions.



## Music

With Apple CarPlay access your favourite artists, songs and playlists from your iPhone using SIRI, using your Apple Music and Spotify Apps. With Android Auto™ get on-demand access to 35 million songs through Google Play and also access your Spotify Playlists.

## Maps & Navigation

With Android Auto™ use Google Maps™ to guide you to places you haven't been to before. Save an area from Google Maps in advance and use it when you are offline. With Apple CarPlay Apple Maps gives you turn-by-turn directions and traffic conditions. Maps can also use the addresses from your email, text messages, contacts, and calendar events to help you get to where you are going next.

## Phone & Messages

With Android Auto™ you can make calls, check voicemails, send and receive text messages using your voice. With Apple CarPlay Siri will guide you if you want to make calls, return missed calls, and listen to voicemail while driving to your destination safely. Siri can also send, read, and reply to your text and Whatsapp messages for you. Simply tell Siri what to do.

## Apps

Access your favourite Apps and content in your car - those of which are safe to use whilst driving!

Please note only certain Apps are approved for use by Apple CarPlay and Android Auto™.

Please note: In order to activate Android Auto™ or Apple CarPlay, the smartphone's operating system (OS) must be Android 5.0 (Lollipop) or higher / iOS 8 or higher. Android Auto™ and Apple CarPlay may not work under weak or no network condition even in supported areas. Customer is responsible for all communication fees.

## Functional Features - standard



Smartphone Link Display Audio



Rear View Camera



Cruise Control & Bluetooth Connectivity



USB Port/ iPod Connectivity x2



Silver Window Switch Panels



New Centre Console Decoration

# Intelligent Motion

## 1.6-Litre MIVEC Engine

The 1.6-litre engine is a concentrated rush of excitement, laying down enough power for sporty performance wherever there's pavement to be found. This engine also features an aluminum block for better efficiency and MIVEC technology for more aggressive starts and maximum high-range output.

## 1.6-Litre Di-D Turbo Engine

With the clean efficiency of diesel, ASX provides smooth power and responsible fuel consumption. The 1.6-litre DI-D turbo engine delivers both on-demand torque for energetic starts and a maximum output of 114PS for cruising satisfaction.



# Cargo Capacity

No matter where you're headed, ASX lets you carry whatever you need for when you get there, with up to 406\* litres of available cargo capacity with five passengers. The easy-opening tailgate (includes an electronic tailgate opener) is wide enough to provide ample space for even the bulkiest items, and the low floor height makes it convenient to move heavy cargo in and out. An underfloor compartment is also included, giving you a handy, out-of-the-way storage space.

\*Includes 13-litre underfloor compartment space (with tyre repair kit).



## Full-Flat Rear Seat / 60:40 Split Foldable Seatback

To carry even larger items, the rear seat can be folded down completely flat to create an expansive cargo space. The 60:40 split rear seat can also be partially folded down, giving you the room to carry bicycles or other extra-long items, while still having rear seating available.



# Reassuring Peace of Mind

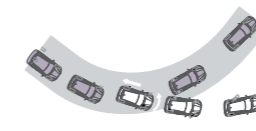


## 7-Airbag System

So that you and your passengers can be safer in the event of a collision, ASX is equipped with a 7-airbag system to provide increased safety to every seat. The front seat occupants are protected by front airbags, plus an additional knee airbag for the driver to help protect the legs in a forward collision. In a side collision, the front occupants are protected by side airbags and occupants in both rows are protected by curtain airbags extending along the sides.



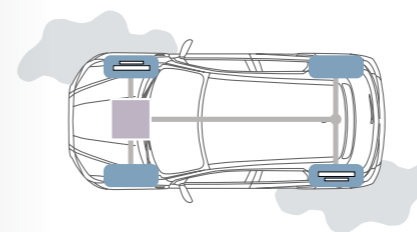
**Lateral Rear-Wheel Slippage**  
Braking force is applied to the outer front wheel to prevent spin-out.



**Lateral Front-Wheel Slippage**  
Braking force is applied to the inner rear wheel to prevent front-end drift.

## Active Stability Control (ASC)

The Active Stability Control system uses onboard sensors to analyse the vehicle's motion and identify lateral wheel slippage. By governing engine output and applying braking power to the appropriate wheels, ASC helps to maintain stability and control.



## Traction Control (TCL)

When wheel spin is detected, engine output is governed and braking force is applied to the spinning wheels to prevent driving torque loss, for smooth starts and linear acceleration.



With HSA



Without HSA

## Hill Start Assist (HSA)

HSA makes it easy to start off on a steep uphill slope by preventing the vehicle from rolling backward. When a gradient is detected, it automatically maintains the braking force for up to 2 seconds until the accelerator is applied.

# Exterior Colours

New Sterling Silver Metallic (U25)



Granite Brown Metallic (C06)



Orient Red Metallic (P26)



Titanium Grey Metallic (U17)



Silky White Pearl (W13)



Frost White Solid (W37)



Amethyst Black Mica (X42)



# Exterior Styling - standard



Electric Door Mirrors with Folding Function & Turn Lamps



LED Type Daytime Running Lights & Foglights



18" Alloy Wheels



New Front Grille



Rain Sensor Wipers



Rear Parking Sensors

# Accessories

Talk to your Mitsubishi Dealer about the full range of accessories available.



Side Wind Deflector Set



Roof Carrier Set



Tow Bar Fixed



Front Styling Element



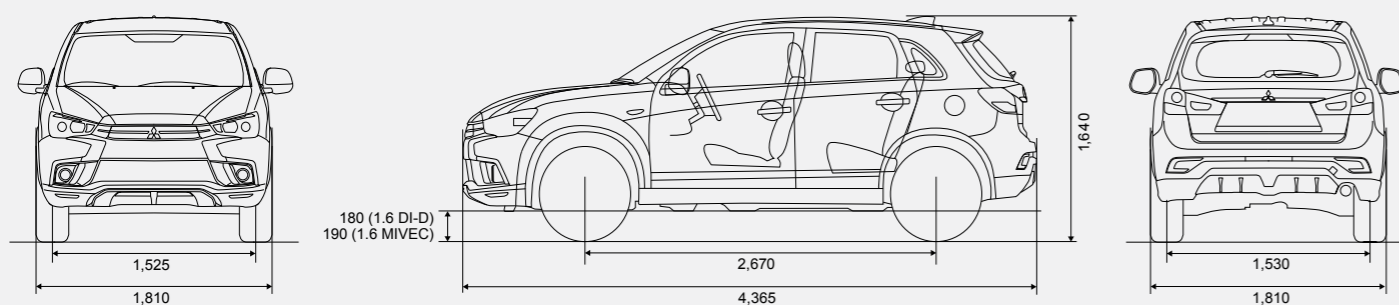
Trunk Tray



Textile Mat Set

## 1.6 Petrol 117PS 2WD 5MT Intense 1.6 DI-D 114PS 2WD 6MT AS&G Intense

Exterior	Intense	Comfort & Convenience	Intense
18" Alloy Wheels	●	Smartphone Link Display Audio (SDA) with 7" touchscreen featuring Apple CarPlay and Android Auto™ and AM/FM & DAB Radio	●
Rain Sensor Wipers	●	USB Port / iPod Connectivity x2	●
LED Daytime Running Lights (DRL)	●	Height Adjustable Drivers Seat	●
Front foglights	●	6 Speakers	●
Automatic Light Control	●	Air Conditioning, Automatic	●
"Coming Home" & "Welcome Home" Lights	●	Bluetooth Handsfree System with Voice Control	●
Privacy Glass, Rear	●	Auto Dimming Rear View mirror	●
Roof Rails (Black)	●	Accessory Socket x 2	●
Colour-keyed Outer Door Handles, Door Mirrors & Rear Spoiler	●	Cruise Control	●
LED Rear Combination Lights & High-Mount Stop Light on Rear Spoiler	●	Rearview Camera for Reversing	●
Electrically Controlled & Retractable Heated Door Mirrors	●	Rear Parking Sensors	●
Side Indicator Integrated Door Mirror Housing	●	Electric Windows, Front & Rear with Auto up/down anti-trapping function (Driver side)	●
New Design Front and Rear Bumper & New Dynamic Shield Front Grille	●	Tilt & Telescopic Adjustable Steering Wheel	●
Chrome Beltline Mouldings & Chrome Tailgate Garnish	●	Remote Central Locking with Keyless Entry System	●
Shark Fin Antenna	●	Hi-contrast Combination Meter Cluster with Colour LCD & Multi-information Display	●
Front Bumper Skid Plate	●		
Wheel Arch Garnish	●		
Tyre Repair Kit	●		
Interior Styling & Storage	Intense	Safety	Intense
Multi-function Leather Steering Wheel & Gearshift Knob	●	Anti-lock Brake System (ABS) with Electronic Brakeforce Distribution (EBD) & Brake Assist	●
Sun Visors with Vanity Mirrors, Lid, Illumination & Ticket Holder, Driver & Passenger	●	Active Stability Control (ASC) with Traction Control (TCL)	●
Aluminium Pedals	●	Hill Start Assist (HSA)	●
Front Room Lamp with Map Lamp, Rear & Cargo Room Lamp	●	Emergency Stop Signal System (ESS)	●
Gloss Black Centre Panel Decoration	●	Front & Side Airbags (Driver & Front Passenger); Driver Knee Airbag; Curtain Airbags (1st & 2nd row)	●
Chrome Inner Door Handles	●	Reinforced Impact Safety Evolution (RISE) body SRS airbag	●
Carbon Pattern Centre Console Accent Panel	●	Passenger Airbag Cut-off Switch	●
High-Grade Block Pattern Fabric Seat Upholstery with Red Contrast Stitching	●	Electronic Immobiliser	●
Rear Seats 60:40 Split Foldable Seat Back	●	3-Point Seat Belt x 5 with Pretensioner and Force-limiter Front x2	●
PVC Leather Front Centre Armrest with Soft Touch Knee Pad & Front Console Box with Tray	●	ISOfix Child Seat Anchor x 2, Rear Door Child Locks	●
Air Outlet Knob, Chrome surround	●	Tyre Pressure Monitoring System	●
Cupholders, Front & Rear x2	●	Tonneau Cover	●
Bottle Holder, Front door trim x2	●		
Cargo Room Floor Box & Floor Hooks x 4	●		
Leather Seat Upholstery	●		



All measurements in millimetres

MODEL	ASX 1.6 Petrol 5-Speed Manual	ASX 1.6 DI-D 6-Speed Manual AS&G
<b>Engine</b>		
Type	1.6 MIVEC	1.6 I/C T/C Diesel AS&G
Total displacement (cc)	1,590	1,560
Max output (EEC net) (kW/PS/rpm)	86(117)/6,000	84(114)/3,600
Max torque (EEC net) (Nm/rpm)	154/4,000	270/1,750
<b>Performance</b>		
Acceleration, 0-100 km/h	11.5	11.2
Max speed* (km/h)	183	182
Fuel consumption** (lit/100km)	Urban	7.4
	Extra Urban	5.0
	Combined	5.9
CO2, combined (g/km)	136	119
Towing capacity	with brake (kg)	1,200
	w/o brake (kg)	665
<b>Fuel System</b>		
Fuel type	Unleaded / RON95	Diesel
Fuel supply equipment	Electronically Controlled Injection	Electronically Controlled Injection (Common Rail System)
Fuel tank capacity (litre)	63	60
<b>Transmission</b>		
Gear Ratio	1st	3.727
	2nd	1.947
	3rd	1.343
	4th	0.976
	5th	0.804
	6th	-
	Reverse	3.727
	Final	4.333
<b>Suspensions</b>		
Front	MacPherson strut	
Rear	Multi link	
<b>Brakes</b>		
Front	Ventilated disc brakes	
Rear	Disc brakes	
<b>Steering</b>		
Type	Rack and pinion with electronic power assist	
<b>Dimensions &amp; Weights</b>		
Overall length (mm)	4,365	
Overall width (mm)	1,810	
Overall height (mm)	1,640	
Wheelbase (mm)	2,670	
Kerb weight (kg)	1,260	1,380
Gross vehicle weight (kg)	1,870	1,980

# OUTSTANDING AFTER SALES FOR CAREFREE MOTORING



## PEACE OF MIND AS STANDARD

While our vehicles enjoy a strong reputation for reliability Mitsubishi Motors Ireland proves this by providing a confident 8 Year / 150,000km (whichever comes first) warranty as standard on all passenger vehicles.

If you sell your Mitsubishi vehicle before the warranty expires, you can even transfer it to the new owner making it even more attractive to buyers and helping you better maintain the car's value.

Warranty terms and conditions apply - see [mitsubishi-motors.ie](http://mitsubishi-motors.ie).



## MAP – MITSUBISHI ASSISTANCE PACKAGE

In order to demonstrate our commitment to your mobility and the faith we have in the reliability of our vehicles, you will receive a free MAP card valid for 5 years with your new Mitsubishi. With MAP your mobility is guaranteed in more than 30 countries throughout Europe, should you ever need assistance in the event of breakdown, accident, theft or vandalism.

Wherever you are, 24 hours a day, 7 days a week – just call the number on your card and the problem will be fixed on the spot. If it's more serious, your car will be taken to the nearest Mitsubishi dealer and you'll be offered services such as a hotel, continuation of journey, a replacement car and vehicle repatriation.

Around 2,500 Mitsubishi Motors Authorised Service Points in Europe are committed to helping you wherever you are.

## FREE ANNUAL VEHICLE HEALTH CHECK

Your Mitsubishi Motors Ireland warranty is strictly subject to the presentation of your vehicle to an authorised Mitsubishi Motors dealer in the Republic of Ireland at least once every year, or every 15,000 Kms / 20,000 Kms, whichever comes first. The dealer must be given the opportunity to complete the mandatory Mitsubishi Motors vehicle health check when your vehicle is presented. The free annual vehicle health check can be completed independently of a service or it can be performed in conjunction with a scheduled service. Free Vehicle Health Check terms and conditions apply.

## MITSUBISHI MOTORS GENUINE PARTS

Mitsubishi Motors Genuine Parts have been developed and tested to stringent quality standards. It is recommended to use Mitsubishi Motors Genuine Parts in order to maintain the safety and integrity of your vehicle and that of your passengers. Mitsubishi Motors Genuine Parts are available at all Mitsubishi Authorised Service Points. All Mitsubishi Motors Genuine Parts have a 2 year guarantee. Terms & conditions apply.

### Mitsubishi Motors Ireland

Mitsubishi House, JFK Drive, Naas Road, Dublin 12

Phone: 1890 41 51 61

Email: [info@mitsubishi-motors.ie](mailto:info@mitsubishi-motors.ie)

### Find us on:



Facebook



Twitter



Instagram

[mitsubishi-motors.ie](http://mitsubishi-motors.ie)

Images shown are for illustrative purposes, and may show optional equipment. The right is reserved to change specifications and features without prior notice. Please consult your local Mitsubishi Dealer for details.