



**5 YEARS
WARRANTY**

MITSUBISHI COMMERCIAL VEHICLES



**OUTLANDER
BUSINESS**

MEET OUR MOST ADVANCED COMMERCIAL SUV YET

The Outlander Business has been completely redesigned to give you more style and comfort. With Mitsubishi's renowned 4WD technology you have even greater capability on and off-road, no matter where you work.



Refreshing Silence & Quality

Driving the Outlander Business is a pleasurable experience heightened by quick, responsive handling and high-quality craftsmanship.

The ride is also extremely quiet thanks to engineering enhancements that lower engine, road and wind noise. From solid-closing doors to refined seating and instrument panel, every detail contributes to your travelling joy.

For ease of driving and clear visibility the Outlander Business now comes with reversing camera and rear parking sensors as standard.



Functional Features - standard



Touch Screen Audio



Rear View Camera



Cruise Control with Speed Limiter Function



Bluetooth Connectivity with Voice Control



Multi-Select 4WD



Dual-Zone Automatic Climate Control Air Conditioner



Centre Armrest including Storage with USB Port & Accessory 12V Socket



Auto Dimming Rear View Mirror

Cargo Capacity

This exceptionally roomy and comfortable 2 seater commercial SUV takes you further, with more on board, because it has 2,068 litres of storage space and 80 kg loading capacity on the roof rails. Added to that it even has 2,000 kg of towing capacity.



Spirited Performance

The Outlander Business delivers the high performance you demand of a rugged Commercial SUV, including powerful acceleration and responsive road handling. Wherever you travel, you'll enjoy next-generation SUV advantages while also minimising environmental impact through high fuel efficiency and low CO2 emissions.

Engine

The Outlander is powered by a 2.2 litre DI-D diesel engine, which offers a compelling combination of refined performance, powerful acceleration and high fuel efficiency.



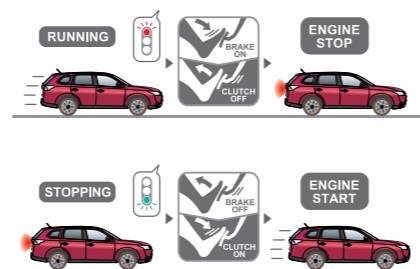
Multi-Select 4WD System

Electronically controlled 4WD offers incredible traction and stability even in challenging terrain by optimally combining with Active Stability Control (ASC). The Drive Mode Selector lets you easily select the most appropriate drive mode when desired: 4WD ECO mode for maximum economy, 4WD AUTO mode for normal driving conditions, or 4WD LOCK mode for rough terrain.



Auto Stop & Go

Auto Stop & Go (AS&G) reduces fuel consumption and CO2 emissions by automatically shutting off the engine when the vehicle is stationary, such as when waiting at traffic lights. The engine restarts immediately when you remove your foot from the brake pedal or step on the clutch pedal.



Speed Limiter

Setting the Speed Limiter prevents the vehicle from exceeding the speed you select in most situations. You may need to apply the brakes to prevent the speed from being exceeded when driving downhill. A warning displays and an alarm sounds to alert you if the set speed is exceeded.

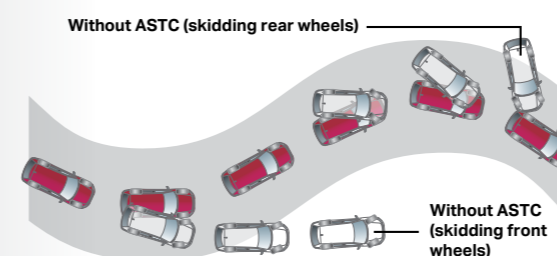


Reassuring Peace of Mind



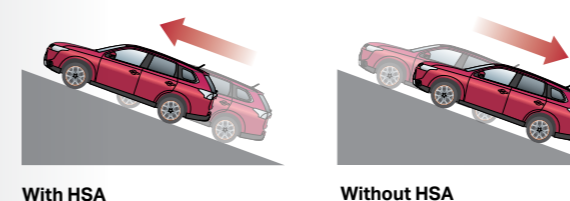
7 SRS Airbags

In the event of a collision, seven SRS airbags help protect you and your passenger by absorbing the force of impact. The system includes front airbags, side airbags, curtain airbags and a driver's knee airbag.



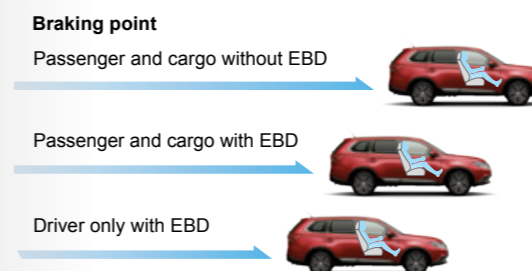
Active Stability Control with Traction Control (ASTC)

If wheels lose their grip on slippery surfaces or while turning, ASTC automatically adjusts engine output and applies braking force at the appropriate wheels to help maintain control and prevent skidding.



Hill Start Assist (HSA)

When starting on a steep slope, HSA helps prevent you from rolling backwards while you release the brake by maintaining the braking force for up to two seconds until the accelerator is applied.



Anti-lock Braking System (ABS) with Electronic Brake-force Distribution (EBD)

The Outlander's ABS gives you the ability to suddenly manoeuvre safely around obstacles as you slow down. EBD (Electronic Brake-force Distribution) assists by applying additional force to the rear brakes as needed, enabling quicker stops even when carrying heavy loads.

Exterior Colours

Cool Silver Metallic (A31)



Orient Red Metallic (P26)



Tanzanite Blue Metallic (D14)



Titanium Grey Metallic (U17)



Silky White Metallic (W13)



Frost White Solid (W37)



Amethyst Black Metallic (X42)



Granite Brown Metallic (C06)



Exterior Styling - standard



Rear Parking Sensors



Rain Sensor



Silver Roof Rails



Foglights



Electric, Heated, Folding Door Mirrors with Side Turn Indicator



16" Alloy Wheels

Accessories

Talk to your Mitsubishi Dealer about the full range of accessories available



18" Alloy Wheels



Side Wind Deflector



Side Airdam



Tow Bar (Detachable)



Outlander Bonnet Emblem



Textile or Rubber Mat Set

2.2 DI-D 4WD 150PS 6MT 2-Seater Business AS&G

Exterior

16" Alloy Wheels, 215/70R16 Tyres	•
Electric Heated, Adjustable & Folding Door Mirrors	•
LED Daytime Running Lights, Welcome & Coming Home Lights	•
LED Rear Combination Lamps & High-mount LED Brake Lights	•
Front Foglights	•
Rain Sensor Window Wipers / Auto Light Control	•
Silver Roof Rails	•
Chrome Front Grille & Chrome Beltline Mouldings	•
Colour-keyed Front & Rear Bumpers & Outer Door Handles & Door Mirrors with Side Turn Lamps	•
Sharkfin Antenna	•
Privacy Glass for Rear Doors, Quarter Panels & Tailgate	•
Rear Mudguards	•
Space Saver Spare Wheel (T155/90D16)	•

Interior Styling & Storage

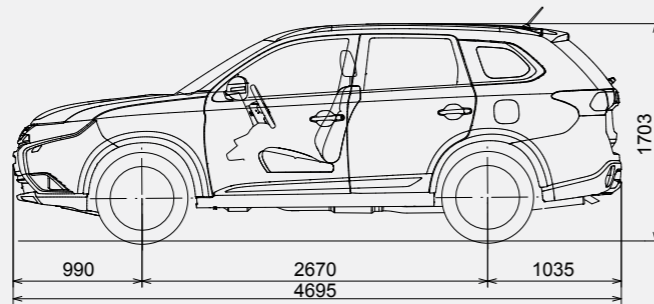
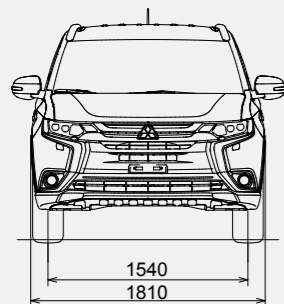
Multi-functional Leather Wrapped Steering Wheel with Piano Black Garnish / Leather Gear Shift Knob	•
Gloss Black Surround on Centre Panel	•
Silver Trim on Door Panels & Air Outlets	•
Front Centre Armrest Including Storage & Pocket Tissue Holder & Pen Holder	•
Cup Holders & Bottle Holders	•
Foot Lamp & Ambient Light & Console Box Illumination	•
Sunglass Pocket in Roof Lining	•

Comfort & Convenience

Power Windows, with Anti-Trapping Function & Auto Up/Down on Drivers Side	•
Remote Central Locking with Keyless Entry System x 2 Transmitters	•
Bluetooth Handsfree System with Voice Control & Steering Wheel Switch	•
Cruise Control with Speed Limiter Function	•
Tilt & Telescopic Steering Wheel Adjustment	•
Dual Zone Automatic Air Conditioning with Dust & Pollen Filter	•
Touch Screen Audio Display with LW/MW/FM/Radio, CD/MP3 and 6 Speakers	•
Remote Audio Controls	•
USB Port / iPod Connectivity	•
Rear View Camera & Rear Parking Sensor	•
Auto Dimming Rearview Mirror	•
Height Adjustable Driver's Seat	•
"High Contrast" Meter Cluster with LCD Multi-information Display	•
Drive Mode Selector on Centre Console	•
12V Accessory Socket x3	•
Illuminated Vanity Mirrors with Lid	•

Safety

Anti-lock Braking System (ABS) with Electronic Brake Distribution (EBD) & Brake Assist	•
Emergency Stop Signal System (ESS)	•
Active Stability Control (ASC) with Traction Control (TCL)	•
Hill Start Assist (HSA)	•
Multi-Select 4WD (On-demand 4WD with 4WD ECO & 4WD Lock Mode)	•
Electronic Immobiliser	•
Front, Side & Curtain Airbags (Driver & Front Passenger); Driver Knee Airbag	•
Tyre Pressure Monitoring System (TPMS)	•
3-Point ELR Seatbelts with Pretensioners & Force Limiters x 2	•



All measurements in millimetres.

MODEL	Outlander Business 2.2 DI-D 4WD 6-Speed Manual
-------	---

Dimensions & Weights	
Overall Length (mm)	4695
Overall Width (mm)	1810
Overall Height (mm)	1703
Wheelbase (mm)	2670
Seating Capacity (Persons)	2
Cargo Area Capacity to Seat Back Height (litre)	1,341
Cargo Area Capacity to Roof Lining (litre)	2,068
Kerb Weight (kg)	1,520
Gross Vehicle Weight (kg)	2,260
Maximum Loading Capacity on the Roof Rails (kg)	80

Engine

Type	Intercooled Turbocharged Diesel With AS&G (4N14)
Total Displacement (cc)	2,268
Bore x Stroke	86 x 97.6
Max Output (EEC Net) (kW/PS)/rpm	110 (150) / 3,500
Max Torque (EEC Net) (Nm/rpm)	380 / 1,750 - 2,500

Performance

Acceleration, 0-100 km/h (sec)	10.2	
Max Speed (km/h)	200	
Fuel Consumption (l/100km)	Urban	6.2
	Extra Urban	4.8
	Combined	5.3
CO2, combined (g/km)	139	
Towing Capacity	with Brake (kg)	2,000
	w/o Brake (kg)	750

Fuel System

Fuel Type	Diesel
Fuel Supply Equipment	Electronically Controlled Injection (Common Rail System)
Fuel Tank Capacity (litre)	60

Transmission

Type	6-Speed Manual	
Clutch Type	Dry, Single With Hydraulic, Push Type	
Gear Ratio	1st	3.818
	2nd	1.913
	3rd	1.218
	4th	0.860
	5th	0.790
	6th	0.638
	Reverse	4.139
Final	4.058 (1st-4th) 3.450 (5th-6th, Reverse)	

Suspension

Front	Macpherson Strut
Rear	Multi Link with Stabilizer

Brakes

Front	16" Ventilated Disc Brakes (2-Pot)
Rear	16" Solid Disc Brakes
Brake Booster Size	10" Master Vac Vacuum Booster

Steering

Type	Rack & Pinion with Electronic Power Assist
------	--

OUTSTANDING AFTER SALES FOR CAREFREE MOTORING



PEACE OF MIND AS STANDARD

While our vehicles enjoy a strong reputation for reliability Mitsubishi Motors Ireland proves this by providing a confident 5 Year / 150,000km (whichever comes first) warranty as standard on all light commercial vehicles.

If you sell your Mitsubishi vehicle before the warranty expires, you can even transfer it to the new owner making it even more attractive to buyers and helping you better maintain the car's value.

Warranty terms and conditions apply - see mitsubishi-motors.ie.

FREE ANNUAL VEHICLE HEALTH CHECK

Your Mitsubishi Motors Ireland warranty is strictly subject to the presentation of your vehicle to an authorised Mitsubishi Motors dealer in the Republic of Ireland at least once every year, or every 20,000 Kms, whichever comes first. The dealer must be given the opportunity to complete the mandatory Mitsubishi Motors vehicle health check when your vehicle is presented. The free annual vehicle health check can be completed independently of a service or it can be performed in conjunction with a scheduled service. Free Vehicle Health Check terms and conditions apply.

MITSUBISHI MOTORS GENUINE PARTS

Mitsubishi Motors Genuine Parts have been developed and tested to stringent quality standards. It is recommended to use Mitsubishi Motors Genuine Parts in order to maintain the safety and integrity of your vehicle and that of your passengers. Mitsubishi Motors Genuine Parts are available at all Mitsubishi Authorised Service Points. All Mitsubishi Motors Genuine Parts have a 2 year guarantee. Terms & conditions apply.



MAP – MITSUBISHI ASSISTANCE PACKAGE

In order to demonstrate our commitment to your mobility and the faith we have in the reliability of our vehicles, you will receive a free MAP card valid for 5 years with your new Mitsubishi. With MAP your mobility is guaranteed in more than 30 countries throughout Europe, should you ever need assistance in the event of breakdown, accident, theft or vandalism.

Wherever you are, 24 hours a day, 7 days a week – just call the number on your card and the problem will be fixed on the spot. If it's more serious, your car will be taken to the nearest Mitsubishi dealer and you'll be offered services such as a hotel, continuation of journey, a replacement car and vehicle repatriation.

Around 2,500 Mitsubishi Motors Authorised Service Points in Europe are committed to helping you wherever you are.

Mitsubishi Motors Ireland

Mitsubishi House, JFK Drive, Naas Road, Dublin 12

Phone: 1890 41 51 61

Email: info@mitsubishi-motors.ie

Find us on:



Facebook



Twitter



Instagram

Images shown are for illustrative purposes, and may show optional equipment. The right is reserved to change specifications and features without prior notice. Please consult your local Mitsubishi Dealer for details.

mitsubishi-motors.ie

November 2016