

Attrage


MITSUBISHI
MOTORS
Drive your Ambition



Everything. And a little more.



1.2-liter MIVEC GLX shown with optional equipment / White Pearl [W54]

The compact sedan you've been waiting for

Everything you seek in a compact sedan is here in the Attrage. From outstanding fuel economy to easy maneuverability, it meets your highest expectations. But the Attrage doesn't stop there. Its surprisingly roomy interior and wide-ranging amenities reach far beyond its class to enhance driving pleasure.

The attractive exterior with bold sedan face and wide, stable rear is also aerodynamically shaped to enhance eco performance. The more you drive the Attrage, the more you appreciate the little extras that make driving a joy.



CHROME FRONT GRILLE

Just the right touch of elegance for a class-above compact.



FRONT FOG LAMP

Dynamic styling with a progressive chrome bezel.



15-INCH ALLOY WHEEL

Refreshingly stylish wheels add an eye-catching accent.



Pleasing refinement in every detail

Tastefully designed and smoothly sculpted, the streamlined Attrage appears eager to slice through the wind. From confident face with handsome chrome grille and appealing headlamps to sleek contoured sides with sporty wheels and taut chrome-accented rear, every detail of the Attrage conveys quality and style. It's a look that enhances the pleasure of the driving experience wherever you go.

1.2-liter MIVEC GLX shown with optional equipment / Cool Silver Metallic [A66]

Note: Equipment may vary by market. Please consult your local Mitsubishi Motors dealer/distributor for details.

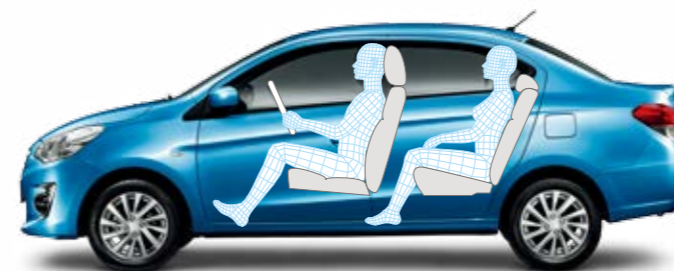


1.2-liter MIVEC GLX shown with optional equipment / Embossed fabric seats (Ivory)

Interior

Share the refreshing comfort

Welcome to a comfortable space with roominess among the top of its class. The simple yet stylish interior surrounds you and your passengers with quality materials, smooth flowing lines and a seamless fit and finish that conveys quality craftsmanship. Soft yet supportive seating, thoughtful amenities and attractive features like silver accents further enhance your driving pleasure. In the Attrage, traveling is always a relaxing and enjoyable experience.



PEOPLE-CENTERED DESIGN

The Attrage puts people first. It maximizes passenger space and comfort while meeting your everyday needs with practical features. Choose from a monotone black or two-tone (black and ivory) interior color scheme, whichever suits your style.

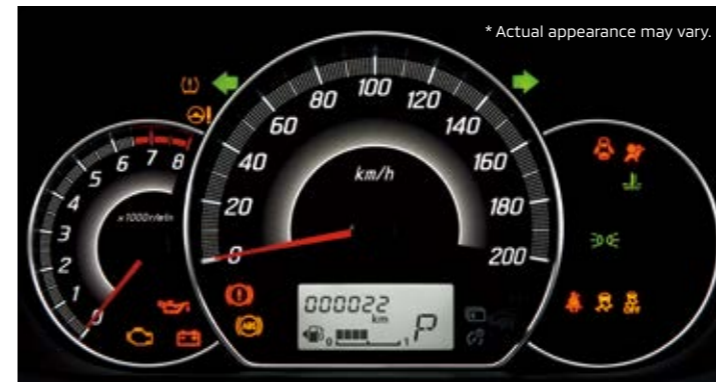
Note: Equipment may vary by market. Please consult your local Mitsubishi Motors dealer/distributor for details.

Amenities



LARGE TRUNK

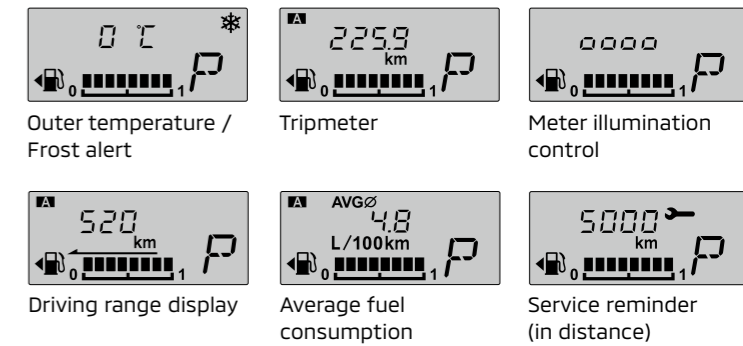
Large and easy to load, the trunk offers a generous storage capacity of 450 liters (measured by VDA method).



SEMI HIGH-CONTRAST METER CLUSTER WITH CHROME SURROUNDS

The meters are large and easy to read with continuous illumination and a silver garnish to enhance your enjoyment. Adjustable brightness contributes to easy reading at a glance in any lighting.

GENERAL-PURPOSE MONITOR: MULTI-INFORMATION DISPLAY



Outer temperature / Frost alert

Tripmeter

Meter illumination control

Driving range display

Average fuel consumption

Service reminder (in distance)



REAR CUP HOLDER

This cup holder keeps large beverages within easy reach.



SEATBACK POCKET

Place maps where you can easily find them when you need them.



CONVENIENCE HOOK

Shopping bags stay upright when hooked to hang behind the seat.



CD PLAYER WITH UNIQUE TYPE CENTER PANEL

This unique system includes a CD player and AM/FM radio.



1-DIN AUDIO WITH CD AND AM/FM RADIO

Mount the audio system of your choice in the center panel.



AUTOMATIC AIR-CONDITIONING

Comfortable cabin temperatures are yours to enjoy year around.



MANUAL AIR-CONDITIONING

Finely adjust air conditioning with user-friendly controls.



TRAY AND GLOVE BOX

Items such as sunglasses are easy to find when you put them on the tray, while the glove box is better for storing bulkier items.



FRONT DOOR POCKET WITH BOTTLE HOLDER

The perfect place to keep personal items while you drive.



FLOOR CONSOLE CUP HOLDERS

Keep drinks within easy reach of you and the front passenger.



POWER DOOR MIRROR

Handy controls make it easy to achieve the desired viewing angle.



SIDE TURN LAMP ON DOOR MIRROR

By clearly signaling intentions, this enhances your driving safety.



HEIGHT-ADJUSTABLE DRIVER'S SEAT

Adjust the height of the driver's seat to suit your preference.



INNER DOOR HANDLE

Stylish handles give the doors an attractive silver touch.



AUDIO AND HANDS-FREE PHONE SWITCHES

Convenient controls for the audio system and Bluetooth® hands-free mobile phone system are mounted on the steering wheel for easy-to-reach access.

Note: Bluetooth is a trademark of Bluetooth SIG, Inc.



USB PORT

Designed for easy connection with digital audio players, etc.

Efficiency

 **22.1** km/L*

CLASS-LEADING FUEL EFFICIENCY

The lightweight body and smooth aerodynamics contribute to class-leading fuel efficiency, as well as smooth and stable acceleration. Traveling is more affordable, eco-friendly and enjoyable in the Attrage.

*Fuel consumption when equipped with 14" tires.
According to internal test results using EU Combined cycle.



1.2-liter MIVEC GLX shown with optional equipment / Red Metallic [P19]



1.2-LITER DOHC 12-VALVE MIVEC ENGINE

When you demand acceleration, the Attrage responds with spirited torque and horsepower while maintaining impressive fuel economy.

MITSUBISHI INNOVATIVE VALVE TIMING ELECTRONIC CONTROL SYSTEM (MIVEC)

Intake valve timing is continuously optimized in response to driving conditions to ensure smooth powerful response at all times.



INVECS-III CVT

The INVECS-III* CVT wide-ratio transmission maintains optimal rpm for high performance and fuel economy. You'll enjoy smooth acceleration and deceleration, as well as efficiently selected gear ratios in all driving conditions. An illuminated indicator provides easy reading at a glance and the shift knob is leather-wrapped for your pleasure.

*Intelligent & Innovative Vehicle Electronic Control System III

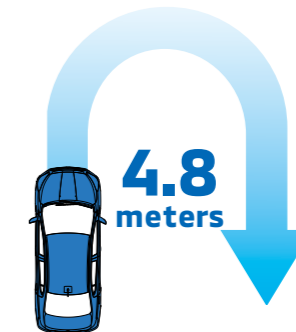


SMOOTH AERODYNAMIC DESIGN

The body is streamlined to slip smoothly through the air. Reduced drag lowers wind noise and CO₂ emissions while raising fuel efficiency and high-speed stability.

LIGHTWEIGHT BODY

The weight-optimized body is one of the lightest in its class, thanks to the ample use of high-tensile steel that also offers impressive strength and rigidity that contribute to safety and excellent handling.



MINIMUM TURNING RADIUS

An extremely tight turning radius, one of the smallest in its class, makes the Attrage easy to maneuver through narrow city streets and crowded parking lots. Drivers of every experience level will find the Attrage simple to handle.

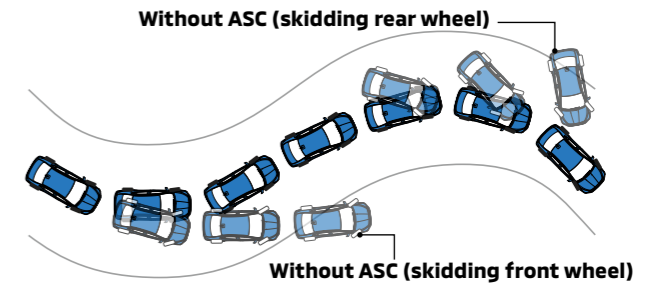


CRUISE CONTROL

Vehicle speed is automatically maintained without keeping your foot on the accelerator pedal, allowing more relaxed driving on extended journeys. Pressing the clutch or brake pedal disengages the system.



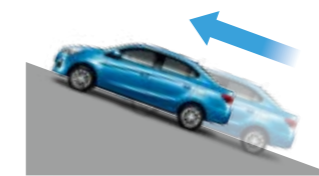
1.2-liter MIVEC GLX shown with optional equipment / Wine Red Pearl [P57]



ACTIVE STABILITY CONTROL [ASC]

If wheels lose their grip on slippery surfaces or while turning, ASC automatically adjusts engine output and applies braking force at the appropriate wheels to help maintain control and prevent skidding.

With Hill Start Assist

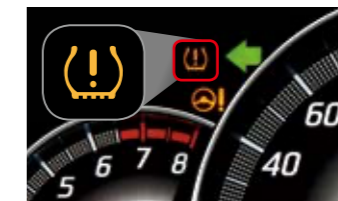


Without Hill Start Assist



HILL START ASSIST [HSA]

When starting on a steep slope, HSA helps prevent you from rolling backwards while you release the brake by maintaining the braking force for up to two seconds until the accelerator is applied.



TIRE PRESSURE MONITORING SYSTEM [TPMS]

TPMS employs sensor-transmitters in the wheels to monitor tire pressure and illuminates a warning lamp on the combination meter cluster if one or more tires become significantly underinflated.



POWER WINDOW

The driver's side window can be raised or lowered with a single touch and features an anti-trap mechanism for safety.



LED HIGH-MOUNT STOP LAMP

An LED stop lamp is mounted in the rear window to enhance safety by clearly indicating your braking intentions to drivers behind you.



IMMOBILIZER

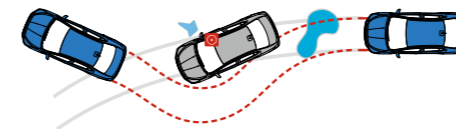
The engine can only be started when a dedicated key with matching authentication code is used. This advanced security system effectively prevents vehicle theft.

Safety



PRETENSIONERS

Pretensioners automatically tighten the front seatbelts in the event of a collision to help restrain the driver and front passenger. (Optional for front passenger.)



4ABS

The four-wheel anti-lock brake system helps prevent the wheels from locking up during emergency braking so you can maintain greater steering control, even on slippery roads.



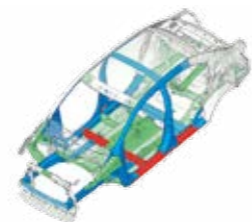
EBD

Electronic Brake-force Distribution distributes braking force to all four wheels to enhance braking performance.



DRIVER AND PASSENGER SRS AIRBAGS

In the event of a collision, front SRS airbags activate to help protect you and the front passenger by absorbing the force of impact.



High tensile strength steel

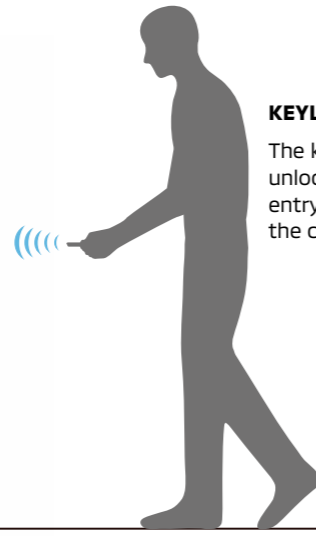
- 980 MPa
- 590 MPa
- 440 MPa

RISE BODY

To protect you and your passengers, the Attrage features a solid Reinforced Impact Safety Evolution (RISE) body constructed of high tensile strength steel that effectively absorbs and disperses crash energy from all directions while also significantly reducing overall weight.

Note: Equipment may vary by market. Please consult your local Mitsubishi Motors dealer/distributor for details.

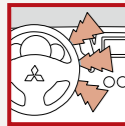
Convenience



KEYLESS ENTRY SYSTEM

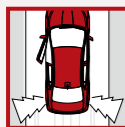
The keyless entry system lets you lock or unlock the doors with the press of a keyless entry key. Two keys are provided for the convenience of couples.

ETACS (Electronic Time and Alarm Control System)



LANE CHANGE TURN SIGNAL SYSTEM

When changing lanes, you can lightly touch the turn signal lever to flash the turn signals three times. Flashing is also indicated on the instrument panel.



OPEN DOOR ALARM

An alarm sounds automatically if you start driving while a door remains partially or fully open.



POWER WINDOW TIMER

Even after shutting off the engine, the power windows can be opened or closed for 30 seconds (before opening the door).



AUTO DOOR RELOCK SYSTEM

Within 30 seconds of pressing the unlock button from outside the vehicle, this system will automatically relock all the doors if none have been opened.



INTERIOR LIGHT DELAY

After removing the ignition key from the cylinder, the interior light remains on for 15 seconds to allow scanning for possessions before exiting.



HEADLAMP AUTO OFF FUNCTION

After switching off the ignition and stepping out of the car, the headlights automatically turn off to help conserve battery power.



AUTO SPEED ADJUSTABLE WIPERS

In the Timing mode, the window wipers operate normally at vehicle speeds below 60km/h and faster at higher vehicle speeds.

GLX



Key features

Standard:

- 175/65R14 tires + 14" steel wheels with wheel center caps
- Front disc brakes (ventilated)
Rear drum brakes (leading & trailing)
- Anti-lock Brake System [ABS] with Electronic Brake-force Distribution [EBD]
- Active Stability Control [ASC]
- Hill Start Assist[HSA]
- Tire Pressure Monitoring System [TPMS]
- Brake Assist
- SRS airbags (driver & front passenger)
- 3-point ELR seatbelt x 2 with single pretensioner (driver)

- Laminated windshield glass
- Color-keyed outer door handles
- Color-keyed power door mirrors
- 3-spoke urethane steering wheel
- Combination meter
- Multi-information display
- Manual air-conditioning (3-dial type controller)
- Power windows (front doors)
- Immobilizer
- Rear fog lamp on rear combination lamp (driver's side)
- Gear shift indicator panel with illumination and silver garnish

Optional, shown:

- 175/65R14 tires + 14" steel wheels with full wheel covers
- Keyless entry with 2 transmitters
- Front and rear power windows with auto up & down function on driver's side (anti-trapping function)
- 2-DIN center panel + 1-DIN AM/FM & CD player with 1-DIN box
- Speaker x 2 (on front doors)
- Accessory socket on instrument panel

Note: For a complete list of standard and optional equipment, please refer to pages 17 and 18.

EXTERIOR COLORS



WINE RED PEARL (P57)



RED METALLIC (P19)



MEDIUM BLUE MICA (T69)



TITANIUM GRAY METALLIC (U17)



COOL SILVER METALLIC (A66)



WHITE PEARL (W54)



BLACK MICA (X08)



WHITE SOLID (W19)

INTERIOR COLORS

SEAT MATERIALS



Embossed fabric (Black)



Embossed fabric (Ivory)

■ Available

Grade		GLX	
Interior trim		Black	Black & Ivory
Seats		Black	Ivory
Exterior Color			
Wine Red Pearl	P57	■	■
Red Metallic	P19	■	■
Medium Blue Mica	T69	■	■
Titanium Gray Metallic	U17	■	■
Cool Silver Metallic	A66	■	■
White Pearl	W54	■	■
Black Mica	X08	■	■
White Solid	W19	■	■

Note: Colors shown may differ slightly from actual colors due to printing process.

TECHNICAL SPECIFICATIONS

Model	Grade	GLX
	Transmission	CVT
	Model code	A13ASTMHLW
Dimensions and Weights		
Overall length	mm	4,245
Overall width	mm	1,670
Overall height	mm	1,515
Wheelbase	mm	2,550
Ground clearance	mm	170
Curb weight (total)	kg	920
Gross vehicle weight (GVW)	kg	1,335
Seating capacity	persons	5
Performance		
Fuel consumption* [with 14" tires (15" tires)]	km/liter	22.1 (21.3)
Max. speed**	km/h	170
Acceleration (0-100 km/h)**	sec.	14.0
Min. turning radius	m	4.8
Engine		
Type (code)		1.2-liter 12-valve 3-cylinder DOHC MIVEC (3A92)
Total displacement	cc	1,193
Max. output (EEC net)	kW (PS)/rpm	57 (78)/6,000
Max. torque (EEC net)	N-m (kg-m)/rpm	100 (10.2)/4,000
Fuel System		
Fuel supply system		ECI-MULTI (Electronic Controlled Injection - Multi Point Injection)
Fuel tank capacity	liter	42
Transmission		
Type		INVECS-III CVT
Steering		
Type		Rack and pinion with electric power assist
Suspensions		
Front		MacPherson strut
Rear		Torsion beam
Brakes		
Front		Ventilated discs
Rear		Leading and trailing drums
Tires		
Tires (front and rear)	Standard	175/65R14
	Option	185/55R15
Wheels (front and rear)	Standard	14" steel with center caps
	Option	14" steel with full wheel covers / 15" alloy wheels

* According to internal test results using EU Combined cycle.

** Measured by Mitsubishi Motors Corporation.

Note: These specifications are subject to change without notice. Please consult your local Mitsubishi Motors dealer/distributor for detailed specifications.

STANDARD & OPTIONAL EQUIPMENT

■ Standard □ Optional

Model	Grade		GLX	
	Engine		1.2-liter MIVEC	
	Transmission		CVT	
Performance	Engine	1.2-liter 12-valve 3-cylinder DOHC MIVEC (3A92)	■	
	Transmission	INVECS-III CVT (continuously variable transmission)	■	
	Suspensions	High ground clearance type		■
		Front: MacPherson strut with coil spring		■
		Front: with stabilizer		□
	Tires & wheels	Rear: Torsion beam		■
		175/65R14 tires + 14" steel wheels with wheel center caps		■
175/65R14 tires + 14" steel wheels with full wheel covers			□	
Spare tire & wheel	185/55R15 tires + 15" alloy wheels		□	
	175/65R14 tire + 14" steel wheel		■	
Safety	Brakes	185/55R15 tire + 15" alloy wheel	□	
		Front: Disc (ventilated) Rear: Drum (leading & trailing)	■	
		Anti-lock Brake System [ABS] with Electronic Brake-force Distribution [EBD]	■	
		Active Stability Control [ASC]	■	
		Hill Start Assist [HSA]	■	
		Brake Assist	■	
	SRS airbags	Driver & front passenger	■	
	Front seatbelts	3-point seatbelt with ELR x 2	■	
		Pretensioner (driver)	■	
	Rear seatbelts	Pretensioner (driver & passenger)	□	
		3-point seatbelt with ELR x 2 + 2-point lapbelt x 1 (center)	■	
	Locking system	3-point ELR seatbelt x 3	□	
		Lower anchor and tether anchor for ISO-FIX child seat x 2	□	
	Exterior lamps	High-mount stop lamp on rear shelf (LED)	■	
Theft protection	Immobilizer	■		
Other	Tire Pressure Monitoring System [TPMS]	■		
Exterior	Bumpers	Front and rear: color-keyed	■	
		Front: with chrome fog lamp bezel	□	
	Front grille	Black	■	
		Chrome	□	
	Headlamps	Halogen headlamps	■	
	Fog lamps	Front fog lamps	□	
	Glass	Rear fog lamp on rear combination lamp (driver's side)	■	
		Laminated windshield glass	■	
		Tempered front & rear door window glass	■	
		Tempered rear window glass with defogger	■	
Front wipers	Variable intermittent windshield wipers & washers	■		
Doors	Color-keyed outer door handles	■		
	Black door sash	□		
Door mirrors	Color-keyed power door mirrors	■		
	Color-keyed power door mirrors with side turn lamp	□		
Molding	Roof molding (black)	■		
	License plate garnish (chrome)	■		
Other	Tailpipe (single)	■		
Cockpit	Steering & shift knob	Electric power steering	■	
		Tilt column steering	■	
		Shift lock with key interlock	■	
		3-spoke urethane steering wheel with bezel	■	
		3-spoke leather wrapped steering wheel with piano black & chrome decoration	□	
		Urethane gearshift knob	■	
		Leather wrapped gearshift knob	□	
	Instrument panel	Urethane parking brake lever	■	
		Combination meter	■	
		Semi-high contrast combination meter with chrome surrounds	□	
		Tachometer	■	
	Multi-information display	Gear shift indicator panel with illumination: silver	■	
		Gear shift indicator panel with illumination: piano black	□	
	Service reminder, Trip computer - driving range & average fuel consumption, illumination control, etc.	■		

STANDARD & OPTIONAL EQUIPMENT

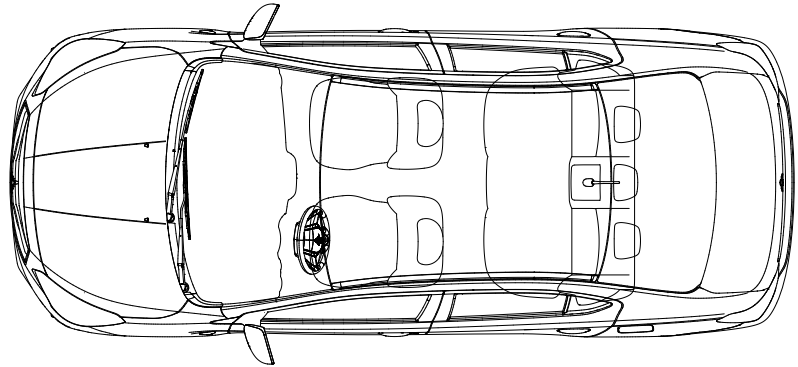
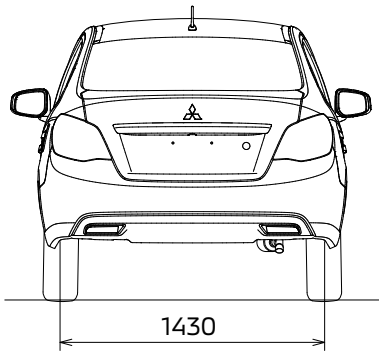
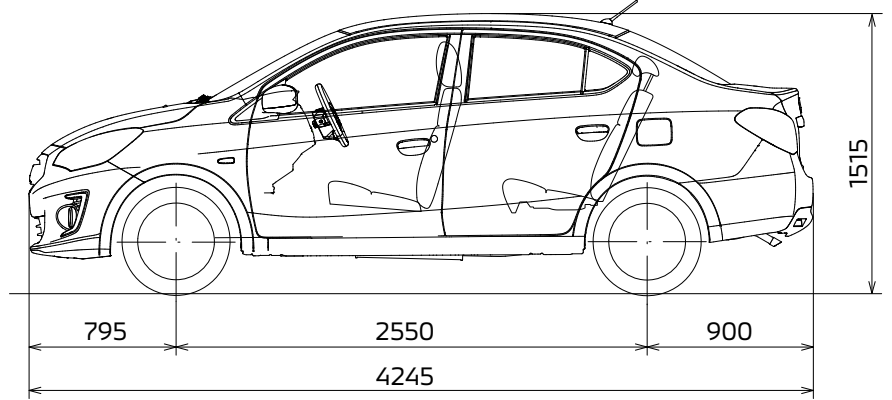
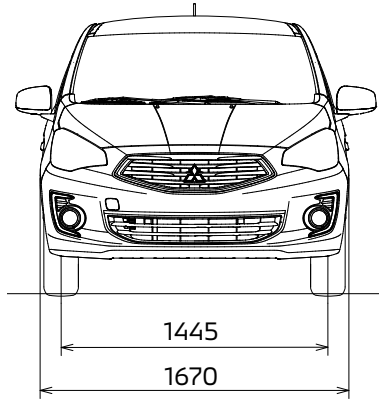
■ Standard □ Optional

Model	Grade		GLX	
	Engine		1.2-liter MIVEC	
	Transmission		CVT	
Seats	Seat materials	Fabric	■	
	Front seats	Separate, low back seats	■	
	Headrests	Driver and passenger		■
		Rear x 3		■
	Driver's seat	Slide & reclining adjuster	■	
	Passenger's seat	Height adjustable driver's seat		□
		Slide & reclining adjuster		■
Rear seats	Convenience hook & seatback pocket		■	
	Bench seat		■	
Interior	Doors	Center armrest with cup holder	■	
		Material black inner door handles	■	
		Chrome inner door handles	□	
	Instrument panel	Piano black power window switch panels		□
		Glove box		■
		Tray on instrument panel		■
		Cigarette lighter on instrument panel		□
		Center panel (piano black)		■
		Air outlet grille		■
	Floor console	Air outlet grille with silver garnish		□
		Accessory socket on instrument panel		□
		Front: cup holder x 2		■
		Rear: cup holder x 1		■
		Ashtray		□
	Front door trim	Door pocket & bottle holders (both sides)		■
	Ceiling	Non-woven fabric headlining		■
		Driver's side sunvisor with vanity mirror, lid & ticket holder		■
		Passenger's side sunvisor		■
		Day & night rear view mirror		■
Assist grips (retractable type)			■	
Interior lamps	Room lamp		■	
	Trunk room lamp		■	
Others	Trunk room floor board		■	
	Tool set & jack set		■	
Comfort and Convenience	Air-conditioning	Windshield & side defroster	■	
		Manual air-conditioning (3-dial type controller)	■	
		Automatic air-conditioning (push button type controller)	□	
		Air-conditioning with extra cooling capacity	■	
	Locking system	Air filter		■
		Keyless entry with 2 transmitters		□
		Secondary key (1 piece)		□
		Central door locking system		□
	Doors	Child proof		■
		Power windows (front doors)		■
Steering switch	Front and rear power windows with auto up & down function on driver's side (anti-trapping function)		□	
	Cruise control switches		□	
	Audio switch		□	
	Audio and hands-free phone switches		□	
Audio and Media	Speakers & antenna	Speaker x 2 (on front doors)	□	
		Speaker x 4 (on front & rear doors)	□	
	Audio system (& center panel)	Roof antenna		■
		2-DIN center panel without audio (with harness for 2 speakers)		■
		2-DIN center panel without audio (with harness for 4 speakers)		□
Audio system (& center panel)	2-DIN center panel + 1-DIN AM/FM & CD player with 1-DIN box		□	
	AM/FM radio and CD player with unique type center panel		□	
	USB port (on floor console tray with lid)		□*1	
	Bluetooth® hands-free phone system*2		□*1	

*1 Must be combined with AM/FM radio and CD player with unique type center panel

*2 Bluetooth is a trademark of Bluetooth SIG, Inc.

DIMENSIONAL VIEWS



All measurements in millimeters



www.facebook.com/MitsubishiMotors.en



www.instagram.com/mitsubishimotorsofficial



www.youtube.com/user/MitsubishiMotorsAd

 **MITSUBISHI MOTORS**

www.mitsubishi-motors.com

© 2017 - 2018 Mitsubishi Motors Corporation. All rights reserved.
Gc/AE16C36Sep.18EG Printed in Japan



The paper used in this catalogue has been certified by the FSC™ (Forest Stewardship Council™) as having been produced through a 'chain of custody' system of forestry management, tracking and production oversight that ensures responsible consideration for the earth's ecosystem. Mitsubishi Motors has adopted the CO₂ emissions and promote more efficient use of natural resources. In this way, we hope to contribute to greater protection of the environment.