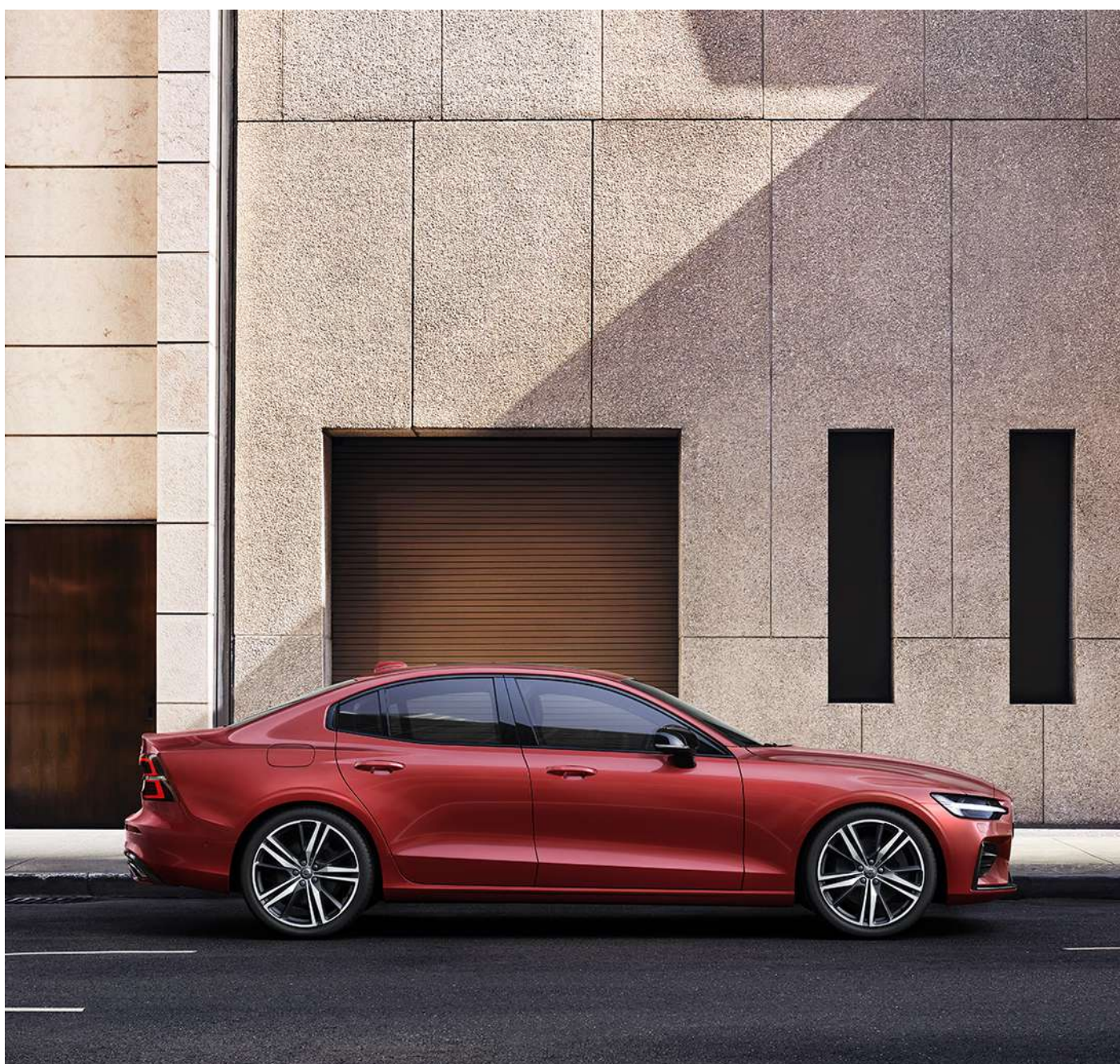




ALL - NEW
VOLVO S60







Rediscover the thrill of driving with the new Volvo S60, the powerful, athletic and dramatic sedan designed to make every journey enjoyable – from the briefest of commutes to the most epic of road trips.

To Volvo Cars, building a car that's great to drive means balancing dynamism with comfort. It has to feel responsive, and yet it must maintain its poise at all times. And that's exactly what we have achieved with the S60.

What's more, it does so with a focus on refinement throughout. The cabin is fashioned to smooth away the miles. Scandinavian design and Swedish craftsmanship combine to create a cabin focused on putting you in control, made from beautiful materials. Technology that's so intuitive it makes every journey easier. And an exterior that will turn heads.

Confident and elegant, the S60 is built to inspire every journey. Feel the connection.



WE ARE REDEFINING PERSONAL MOBILITY.

Our aim is to provide freedom to move in a personal, sustainable and safe way. We do this by putting your needs first – using the best available technology to serve you, inventing new technology where none already exists and combining technologies to deliver new experiences.

At Volvo Cars, we have always put people first. We believe that technology should set us free – not restrain us. The car shall be an enabler of a richer, less complicated life. And as a progressive provider of personal mobility, we want to enable a future of fully connected, fully electrified and self-driving cars.

We are committed to pursuing our visions:

- No one should be seriously injured or killed in a new Volvo car by 2020.
- We want to give back one week of quality time per year through a new Volvo car by 2025.
- Around 50 per cent of the cars we produce and sell will be electric by 2025.

These visions reflect our commitment to protecting what's important to you and the world we share. This is summarized in the Swedish word "Omtanke" which stands for caring and consideration. It also means "to think again", so we collaborate with some of the world's top tech companies to nurture innovations that will take us into a better, more sustainable future.

Our goal is to make your life easier and more enjoyable – and to give back that sense of joy and freedom that the car represents.



T4 | Inscription
725 Fusion Red metallic



DESIGNED FOR DRIVING.

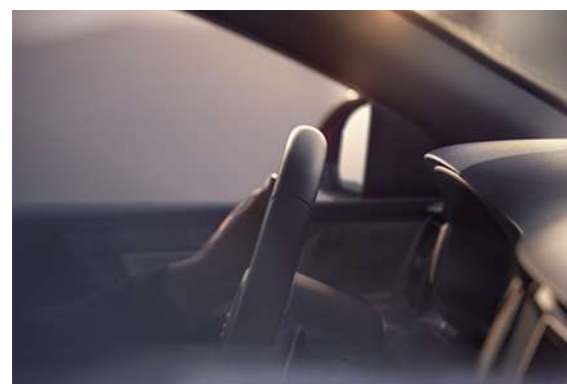
Confident, athletic and elegant, the S60 is the essence of good Scandinavian design. A dynamic sedan, one that projects confidence without shouting.

Crisp, sharp details enhance and complement the car's inherent strength and its sleek silhouette is an invitation to get in and drive. It's a drive that will inspire and excite you, one where effortless performance, an advanced chassis and intuitive technology combine to create a car that celebrates the joy of the road through the quality of its design.

From inside to out, the S60 is a sedan that will be a delight to the senses, whatever the driving situation.



The deeply-sculpted flanks make the S60 instantly recognisable and define the car's athletic character. At night, the distinctive LED tail lights emphasise the strong shoulder line.



45.72 cms (18 inch) 10-Multi spoke
Black Diamond-cut alloy wheels help to make the S60 Inscription look even more dynamic and purposeful.



T4 | Inscription
Leather Charcoal in Charcoal interior (RA00) upholstery
Harman Kardon audio system





STYLED FOR YOU.

The front seats are shaped to complement the human form, so they are exceptionally supportive and have a wide range of adjustment. In the rear, generous legroom and the same levels of seat support mean everyone will be comfortable.

The panoramic glass roof floods the cabin with light. It's tinted to reduce glare and has a powered sunshade. With four-zone climate control, both front and outer rear seat occupants can select their ideal temperature, while our CleanZone technology filters incoming air to help remove dust, pollen, particulates and odours.



MADE FOR DRIVING.

The S60 is a car that will inspire you to drive. A car with a dynamic character. One that will heighten your senses and bring enjoyment to your driving. Fluent and perfectly balanced, it's capable of delivering both refined, long-distance comfort and an exciting drive.

The chassis in the S60 combines double wishbone front suspension and a unique integrally-linked rear axle. It means that every input you make is matched with a precise and sharp reaction, while still ensuring a comfortable ride. Dynamic Chassis technology offers a good balance between suspension comfort & road handling.

The different Adaptive Drive Modes let you tailor your driving experience further by altering the engine, gearbox, accelerator and steering responses. Or you can create your own bespoke set-up with Individual mode. However you configure it, the S60 is the perfect partner, whatever the journey.



T4 | Inscription



THE POWER OF EFFORTLESS RESPONSE.

Wherever you're headed, our powerful and refined petrol powertrain make the driving experience a real pleasure. The T4 engine balance responsiveness with efficiency. Compact and light, these four-cylinder powertrains reduce weight over the front wheels, helping to improve agility and the way the car responds to your driving inputs. And because smaller engines lose less energy through friction, you'll find them more efficient – every drop of fuel works harder and helps minimise emissions and consumption.

Our T4 powertrain can be complemented by adaptive drive modes, allowing you to alter the way the S60 drives to suit the road ahead. Eco mode, for example, recalibrates the powertrain for the lowest possible fuel consumption and emissions, while Dynamic sharpens response times, reacting faster to your commands. And as the S60 is available with our eight-speed Geartronic™ automatic transmission, you will experience smooth, responsive gear changes.



T4 | Inscription



PILOT ASSIST. YOUR JOURNEY MADE EASIER.

Our advanced driver assistance technology helps make your life easier, allowing you to relax and enjoy the drive while still being in control. Pilot Assist helps to reduce some of the effort required at higher speeds (up to 130km/h) or in stop-start traffic, so journeys are more enjoyable. It keeps the S60 at a set speed and distance from the vehicle in front, and uses steering inputs to help keep you in the centre of your lane. This means that even in the most monotonous driving situations, such as on long highway journeys, your car helps take some of the strain and keeps you focused on the drive.

It does this using a combination of information from both a camera and a radar integrated into the S60's windscreen, which the car uses to monitor its position relative to visible lane markings and the vehicle in front of you (if there is one).

It's intelligent too: using map data from the car's navigation system, the car identifies hills and curves ahead and adapts the speed to help optimise your comfort and safety. And when the system deactivates, you are notified by a discreet vibration in the steering wheel.

Pilot Assist is connected to the Drive Modes of the S60, so in ECO mode there is the possibility of improved fuel efficiency, while if you opt for Dynamic, it will quicken the response to the speed of the vehicle in front.

This is our approach to technology – designed to make every journey you take safer and more relaxing.

Please note: The driver is always responsible for how the car is controlled, these are only supportive functions.

CITY SAFETY TECHNOLOGY. YOUR PRO-ACTIVE PARTNER ON THE ROAD.

Our advanced pro-active safety technology helps you feel confident and in control. At the heart of this technology is City Safety. By helping you to keep a lookout and brake or steer away for you if necessary, it makes driving more enjoyable while helping to prevent accidents.

City Safety can identify other vehicles, pedestrians, cyclists and large animals ahead of you, even at night. It warns you if needed and can brake automatically to help avoid a collision or reduce impact. Our advanced Oncoming Mitigation by Braking technology – a Volvo Cars safety world first – can detect if

there's another vehicle driving towards you and brakes automatically to mitigate the impact.

Your Volvo can also support if you're forced into a rapid evasive action at speeds between 50 and 100km/h. As you begin to steer away, City Safety can help you do it as effectively and safely as possible by braking the inner wheels individually and reinforcing your steering input.

City Safety is simply your perfect partner: pro-active when it's needed, and staying discreet in the background the rest of the time.



Oncoming Mitigation by Braking

A Volvo Cars safety world first, this innovation can detect vehicles heading towards you on the wrong side of the road. If a collision can't be avoided, it can brake your car automatically and tighten the optional prepared front safety belts in order to help reduce the effect of a collision.



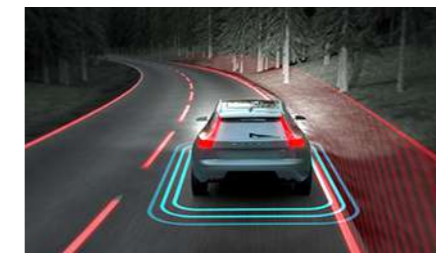
Oncoming Lane Mitigation

If you drift across the lane markings and into the path of an oncoming vehicle, your car can alert you and gently steer you back onto the correct path. This system does this using automatic steering assistance, helping you to avoid collisions with oncoming vehicles.



Lane Keeping Aid

The Lane Keeping Aid can gently help steer your car back into its lane if it senses you are about to inadvertently cross into a different lane. If this is not enough or if you keep steering across the lane markings, you'll be alerted with vibrations in the steering wheel.



Run-off road Mitigation

Stay safely on the road with this Volvo Cars safety innovation. If Run-off road Mitigation detects you're about to leave the road unintentionally, it can provide steering input and, if necessary, brake support to help guide you back on track.



Crash-absorbing front seats

The sculpted front seats in your Volvo are more than just beautiful to look at. Their unique structure helps to absorb vertical impacts, helping to protect your spine if the car lands heavily after leaving the road. It's another example of how we make every part of a Volvo work harder for your safety.

DESIGNED TO PROTECT.

Protecting you and your passengers has always been at the heart of every car we make, and the advanced safety features in your Volvo are the result of decades of passionate innovation.

In a Volvo, it's the interaction between all the safety features that determines how efficiently the car will protect you in a collision. Everything, from the design of the seats to the surrounding safety cage and the safety belts and airbags, works together to help minimise the strain on all occupants and maximise protection.

The front seats not only provide world-class comfort, they are also designed to protect you in the event of an impact. Our unique whiplash injury protection helps protect your back and neck if your car is hit from behind. And in a run-off road

scenario, the energy-absorbing front seat structure will help protect your spine in a hard landing, should the car become airborne.

Your Volvo can even sense and prepare for impact. The optional prepared front safety belts tighten automatically if the car detects that a collision is likely, to ensure you're in the safest position should one occur. And in the event of an accident, your Volvo can automatically contact emergency services and communicate the car's location so that you can get help as quickly as possible.

It's this range of safety technologies and attention to detail that makes your Volvo a safe place to be.



Volvo safety cage. The passenger compartment uses a high percentage of ultra high-strength boron steel to create a protective cage around everyone inside the car, while

front and rear deformation zones help dissipate the crash energy. The safety belts and airbags work together to cushion you and your passengers in a controlled fashion.

THE HUMAN TOUCH.

We set out to make living with your Volvo easier and more enjoyable. To do that, we understood that the advanced technology that connects you to your car and the world around you should have a natural, human feel.

Our 22.86 cms (9 inch) centre display with touch screen allows you to intuitively control the functions of your Volvo and stay connected. The touch screen surface is so responsive that you can operate it wearing gloves. It also has an anti-reflective coating to help reduce glare, so it's always easy to see what's on the screen.

One of Volvo Cars' guiding principles is to make it easy for you to interact with your Volvo without being distracted. As a result, we put essential information right in front of the driver by using a digital driver display in the instrument panel. This high-resolution screen showcases key information for the driver and can vary the size and shape of the readouts it shows, depending on how you are using your car. For example, if you are using the navigation system, the display for that becomes enlarged, so you can focus on your directions more easily. The driver display also adapts its brightness according to exterior light sources such as bright sunshine or the lower light conditions of tunnels.

And with Voice Control, you can access many functions of the S60, while keeping your hands on the steering wheel and your eyes on the road at all times. As it uses natural speech patterns, you don't need to learn specific commands – you can just talk to your Volvo as if you were talking to another person.

The 22.86 cms (9 inch) centre display with touch screen allows intuitive control of the car's functions. You can use it to operate the navigation, entertainment, climate control and your smartphone. Sleek and responsive, it looks beautiful and works beautifully – just how all technology should be.





YOUR WELL-CONNECTED GUIDE.

Intuitive technology in the S60 helps get you where you need to go quickly and easily. The clear graphics of Sensus Navigation are easy to read, while the portrait format of the centre display means maps scroll less and are able to show more of the road

that you are travelling on.

Connecting your phone to the car is as easy as plugging it in – Apple CarPlay™ or Android Auto™ will do the rest, turning the centre display into an extension of your phone's screen.



Voice control

Volvo Cars' latest voice recognition technology understands natural speech, so you can simply talk naturally to your car – there's no need to memorise specific phrases to operate climate control, navigation, media or telephone features.



Sensus Navigation

With its clear mapping, seamless connectivity and ease of use, Sensus Navigation is your companion on every drive, taking care of the journey and leaving you to enjoy every moment.



Smartphone integration

Apple CarPlay™ or Android Auto™ allows you to simply and easily connect your smartphone to your car. All you need to do is plug it in and the centre display will show you the same type of interface that you'll recognise from your phone's home screen.



HEAR THE DIFFERENCE.

Immerse yourself in the clarity and detail of your favourite music in the S60. By working with some of the world's finest audio makers, we've created an in-car experience that takes you closer to the music you love.

Harman Kardon® Premium Sound delivers a beautifully balanced, powerful sound. This immersive experience is enabled

by 14 hi-fi speakers including an air-ventilated subwoofer that produces a bass sound you'll feel in your body.

And with seamless smartphone integration, enjoying music on your device is as easy as making a call, thanks to Apple CarPlay™ and Android Auto™.



We developed Harman Kardon® Premium Sound together with the hi-fi specialists at Harman Kardon®. Powered by a 600W digital amplifier, the 14 speakers are tailored to the acoustics inside your Volvo and deliver a powerful, high fidelity surround sound. A unique sound processing software by audio specialists Dirac Research optimises the response of each individual speaker as well as the speakers all together to ensure they perform in perfect harmony. So wherever you're seated in the front or rear seats, you can enjoy a seamless first-class listening experience in all conditions and – not least – an extremely unified and tight bass sound.

Apple CarPlay is a trademark of Apple Inc.
Android is a trademark of Google Inc.

T4 Inscription



Volvo S60 Inscription
Contemporary luxury, with beautiful materials and expert craftsmanship.

CREATE THE SWEDISH DYNAMIC SEDAN OF YOUR CHOICE.

Our approach in everything we do is to always put people first. This also includes allowing you the freedom to create a Volvo that matches your style and fits perfectly into your life.

To ensure you get your new Volvo S60 exactly as personal

as you want it, the luxurious S60 inscription.

Whatever you prefer, you can rest assure there's a Volvo S60 for you. Read on, and see what your new S60 will look like.

NB. The trim levels may vary from country to country. Please talk to your Volvo Car dealer for the latest information.

T4 Inscription

Inscription

CONTEMPORARY LUXURY.

We created the luxurious Volvo S60 Inscription to meet your expectations on contemporary Swedish luxury. It's a highly personal expression that evokes a strong sense of dynamic refinement. Each detail is carefully selected to give you and your passengers a stylish and invigorating experience.

Sophisticated exterior design cues enhance the luxurious look and feel of the S60 Inscription. Its distinctive chrome-finish grille, bright decor side window trim and stylish alloy wheels correspond with the car's dynamic and elegant Scandinavian design.

The Inscription experience continues on the inside, where a meticulously crafted interior with Leather seats, genuine Driftwood decor and an tailored dashboard gives you ample room for a relaxed driving experience.

The Volvo S60 Inscription epitomises our proud heritage of human-centric design. And when it comes to intelligent luxury imbued with distinctive style and fresh thinking, the S60 Inscription is in a class of its own – just like you.



The exclusive Volvo S60 Inscription with its subtle jewellery touches and beautifully crafted wheels expresses the essence of contemporary Swedish luxury. On the inside, you are surrounded by genuine materials and fine craftsmanship. It's a sensory experience, further enhanced by the Comfort seats in smooth Leather, genuine Driftwood decor and our Tailored dashboard – all to make the Volvo S60 Inscription your own personal statement of dynamic luxury.

Dual integrated end pipes and bright decor trim enhance the elegant and powerful impression from the rear.



The chrome finish front grille and bright side window trim add up to the luxurious appearance of the Volvo S60 Inscription.



The bright side window trim adds up to the luxurious appearance of the S60 Inscription.



Dual integrated end pipes and bright decor trim enhance the elegant and powerful impression from the rear.



WIRELESS PHONE CHARGING There's a space next to the gear knob where a mobile phone can be stored and wirelessly charged, helping to reduce clutter and make it easy to reach when you need it.



The exclusive Driftwood decor in the dashboard and tunnel console resembles the look and feel of wood shaped by the natural force of water, wind and waves.



The rear seat passengers can enjoy the comfort and convenience from a centre armrest with integrated cup holders and storage.



The intuitive 21.24 cms (12.3 inch) driver display with four graphic modes and the 22.86 cms (9 inch) centre display with touch screen puts you in the centre of action.

MAKE IT YOURS.

The Volvo styling accessories are created by our own team of designers to perfectly complement the lines of the S60 and enhance its dynamic, contemporary character. And to make your car an even stronger and more personal statement, you can add our exterior styling package. Body coloured front and rear side deflectors and sculpted side sill accentuate the car's

low stance, while the integrated dual split end pipes create an even more powerful look. And for the S60 Momentum, a black rear diffuser adds an extra touch of dynamic luxury.

This is your opportunity to express yourself and come up with a look that is all yours.



S60 exterior styling package



50.8 cms (20 inch)
10-spoke Turbine Black
Diamond Cut alloy wheels
(require the optional sport chassis).



Integrated dual split end
pipes in stainless steel.



Sculpted side mouldings.



Front side deflectors.

GET READY.

Your Volvo S60 also takes care of your more practical needs. And to make your S60 work even harder for you, just add our load accessories. Designed to look good and work flawlessly, they will make life less complicated and help you bring the stuff you need. And with our user-friendly and stylish wall box, you'll charge your S60 T8 or T6 Twin Engine easily and safely when you're at home.



Roof box, designed by Volvo Cars.



Textile luggage compartment mat.

Red Key, restricted remote control.



Bicycle holder, roof-mounted.

Load carriers.

Shaped plastic luggage compartment mat.



Mud flaps, front and rear.

Foldable towbar, semi-electric.



Bicycle holder, towbar mounted.



DESIGNED FOR YOUR LIFE.

The S60 is about making every drive as enjoyable as possible. To enhance the experience for anyone who shares your ride, we've created specially-designed accessories that cater for your passengers' comfort and safety. For children up to 10 years, our child seats combine comfort with state of the art safety and are designed to fit perfectly into your Volvo. We apply the same stringent standards to our child seats as we do to building our cars, so you know your children are well protected.

Child seat, booster cushion with backrest, Leather/Nubuck Textile (15-36 kg).



Neck cushion.

Dog harness (available in four sizes).



Child seat, infant seat (up to 13 kg).



Kick guard



Colour-coordinated shaped plastic passenger compartment mats.



Child seat, booster seat (15-36 kg).

Child seat, easy access (0-18 kg)



Child seat, rearward facing (9-25 kg).

T4 Inscription



MAKE YOUR POWERFUL CHOICE.

We created the new Volvo S60 with one single purpose: to provide you with a car that perfectly fits you and your lifestyle. It's a dynamic sedan that meets your expectations of an engaging drive with refined comfort and distinctive design – built with care for people and the world we share. And designed to be intuitive to use and to make life easier, the S60 is a pleasure to live with every day.

At the heart of your Volvo S60 is a dynamic, efficient powertrain. Whichever you choose, you will enjoy our latest engine technology that gives you responsive power. Fuel consumption and CO₂ emissions are kept low, and our powertrains comply with strict exhaust emission requirements.

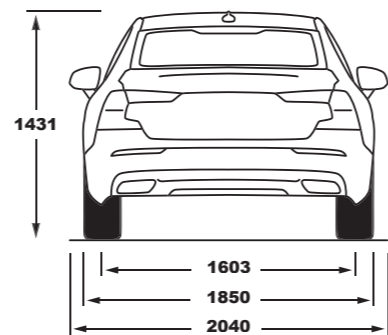
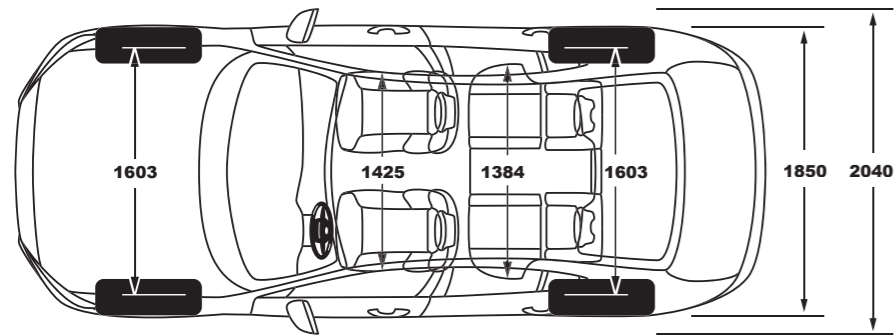
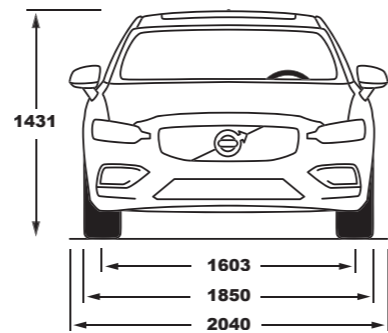
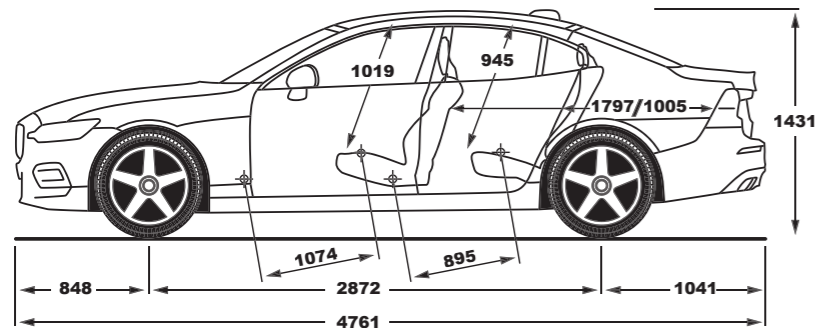
T4

With the T4 190hp/300Nm petrol powertrain you can enjoy a smooth, responsive and highly efficient driving experience. Optimised turbocharging with full torque from low to medium revs and our smooth 8-speed Geartronic™ automatic gearbox put you in control of your drive.

WELCOME TO VOLVO CAR LIFESTYLE COLLECTION.

Our Lifestyle Collection includes a wide range of lifestyle accessories – from crafted leather bags and clothing, to watches and sunglasses. To view the complete collection, please visit collection.volvocars.com





Please note: Some of the information in this brochure may be incorrect due to changes in product specifications that may have occurred since printing. Some of the equipment described or shown may now only be available at extra cost. Before ordering, please ask your Volvo Cars dealer for the latest information. The manufacturer reserves the right to make changes at any time and without notice to prices, colours, materials, specifications and models.



V O L V O

ALL NEW S60 KEY FEATURES



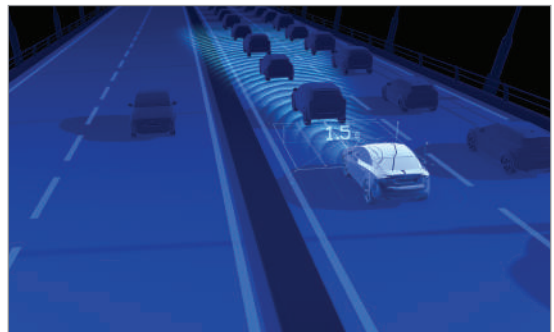
HARMAN/KARDON® PREMIUM SOUND SYSTEM



WIRELESS PHONE CHARGING



ONCOMING MITIGATION BY BRAKING



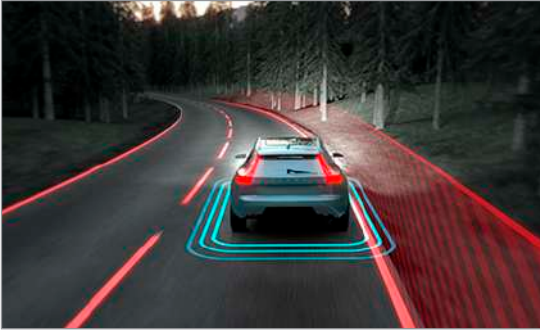
ADAPTIVE CRUISE CONTROL



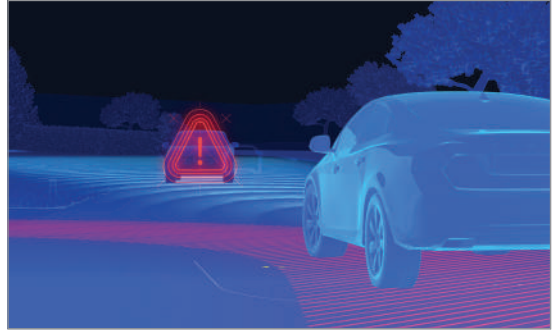
PARK ASSIST CAMERA, REAR



PANORAMIC SUNROOF



RUN-OFF ROAD MITIGATION



CITY SAFETY WITH STEERING SUPPORT



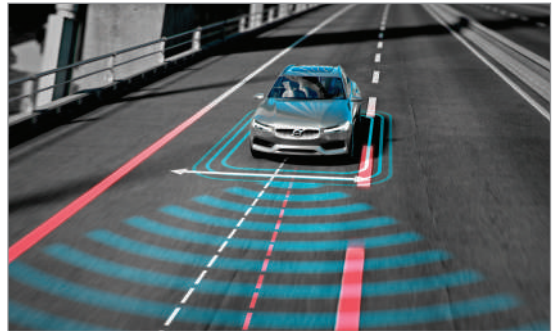
LED BENDING HEADLIGHTS



4-ZONE CLIMATE CONTROL SYSTEM



SAFETY CAGE



LANE KEEPING AID



22.86 CMS (9 INCH) CENTRE DISPLAY WITH NAVIGATION



POWER ADJUSTABLE DRIVER'S SEAT WITH MEMORY

Some of the information in this leaflet may be incorrect due to changes in product specifications that may have occurred since printing. Some of the equipment described or shown may now only be available at extra cost. Before ordering, please ask your Volvo dealer for the latest information. The manufacturer reserves the right to make changes at any time and without notice to prices, colours, material, specification and models. Shot outside India with a left-hand drive car.

UPHOLSTERIES



Leather Blond in Blond Charcoal interior (UA00)

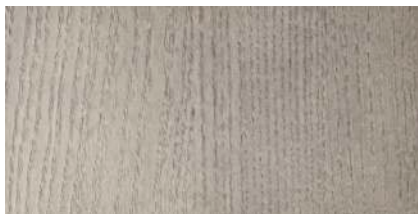


Leather Charcoal in Charcoal interior (RA00)

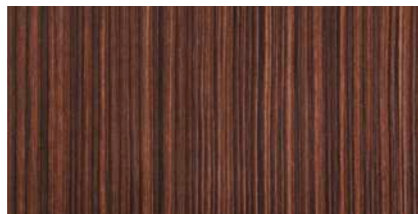


Leather Maroon Brown in Charcoal interior (RA30)

INLAYS



Driftwood Inlays



Linear Lime Inlays

Kindly check with your local authorised Volvo Cars dealer on the exterior colours, upholsteries and wheel options available for your car.

V O L V O

VOLVO S60 SPECIFICATION SHEET

ENGINE VARIANT	T4 INSCRIPTION
TECHINICAL DATA	
Capacity (ccm)	1969
Max ouput in hp	190
Max torque in Nm	300
CLIMATE	
4-zone Electronic Climate Control	S
CleanZone (Air Quality System)	S
Panoramic sun roof with power operation	S
Windscreen washers (Aquablades)	S
LOCKING AND SECURITY SYSTEMS	
Basic Alarm	S
Interior motion sensor for Alarm	S
Inclination sensor for Alarm	S
Key remote control Inscription, leather clad	S
Keyless entry with remote tag & handsfree tailgate opening	S
Power child lock, rear side doors	S
Laminated Side Windows	S
INSTRUMENTATION	
31.24 cms (12.3 inch) Driver Display	S
SEATS	
Leather upholstery	S
Power adjustable drivers seat with memory	S
Power adjustable passengers seat with memory	S
4 way power adjustable lumbar support	S
Power cushion extension	S
Fixed rear headrests	S
Centre armrest with cupholders and storage	S
INTERIOR	
Linear Lime Inlays / Driftwood decor inlays	S
Standard colour on headlining/ceiling	S
Illuminated vanity mirrors in sunvisor LH / RH side	S
Leather upgrade on dash board	S
Leather Steering wheel with unideco inlays, 3 spoke	S
Leather gear lever knob with uni deco	S
Netpocket on tunnel	S
Automatically dimmed inner and exterior mirrors	S
Carpet kit, textile	S
Sillmoulding 'Volvo' metal	S
Interior illumination high level	S
LUGGAGE COMPARTMENT	
Temporary sparewheel	S
Jack	S
12V Power outlet, Luggage area	S
Netpocket in cargo area	S
Cargo opening scuff plate - plastic	S
First aid kit & Warning Triangle	S
Load Hook Parcel (Luggage)	S

MODEL VARIANT	T4 INSCRIPTION
---------------	----------------

EXTERIOR	
----------	--

Inscription grill	S
Bright decor side windows	S
Fully colour adapted sills and bumpers	S
Colour coordinated door handles with Illumination & Puddle lights	S
Dual integrated tail pipes	S
Colour coordinated rear view mirror covers	S
Retractable rear view mirrors	S
Foglights in front spoiler	S
LED headlights with automatic bending	S
Headlight high pressure cleaning	S
EBL, Flashing Brake Light and Hazard Warning	S

SUPPORT SYSTEMS	
-----------------	--

Adaptive Cruise Control	S
Pilot Assist	S
Collision Mitigation Support, front	S
Lane Keeping Aid	S
Reversing Camera	S
Park Assist Front and Rear	S
Personal settings, power steering	S
Drive mode settings	S
Hill start assist	S
Rainsensor	S

SAFETY	
--------	--

Airbag, Driver & Passenger	S
SIPS airbags	S
Inflatable curtains	S
Whiplash protection, front seats	S
Pretensioners, front / rear all positions	S
Cut-Off Switch Passenger AirBag	S
Isofix - outer position rear seat	S
Emergency Brake Assist, EBA	S
High positioned rear brake lights	S
Intelligent Driver Information System (IDIS)	S

AUDIO, NAVIGATION & TELEMATICS	
--------------------------------	--

Harman Kardon Premium Sound	S
Remote control buttons in steering wheel	S
2 USB & Bluetooth connection	S
Subwoofer	S
Navigation	S
Speech function	S
CarPlay (iPhone and Android)	S
Wireless charging	S

TRANSMISSION	
--------------	--

Automatic 8-speed FWD	S
-----------------------	---

ENGINE INSTALLATION	
---------------------	--

Fuel tank 60 litres	S
Speed limit 180 km/h	S

CHASSIS & WHEELS	
------------------	--

Dynamic Chassis	S
45.72 cms (18 inch) - 10-Multi Spoke Black Diamond-cut Alloy wheel	S
Tire Pressure Monitoring System (TPMS)	S

VOLVO S60

EXTERIOR COLOURS, TRIM LEVEL, UPHOLSTERIES AND ALLOY WHEELS



707 - CRYSTAL WHITE PEARL



717 - ONYX BLACK



722 - MAPLE BROWN



723 - DENIM BLUE



725 - FUSION RED



45.72 cms (18 inch) 10-Multi spoke Black Diamond-cut Alloy wheel

V O L V O