



VOLVO V40
& V40 CROSS COUNTRY

INNOVATION FOR PEOPLE

Made by Sweden.

At Volvo Cars, we continuously innovate in order to make your life better. Every car, every technology and every design is the result of a clear vision – to put people at the heart of everything we do. It's a vision that has driven us from the start, one informed by Sweden, a country which values people as individuals and where conventions are challenged. It's a culture with a rich design heritage and a unique way of looking at the world.

This vision has inspired us to create the likes of the three-point safety belt and side-impact airbags – inventions that have saved lives and changed automotive history. And with our new generation of models we continue with this tradition.

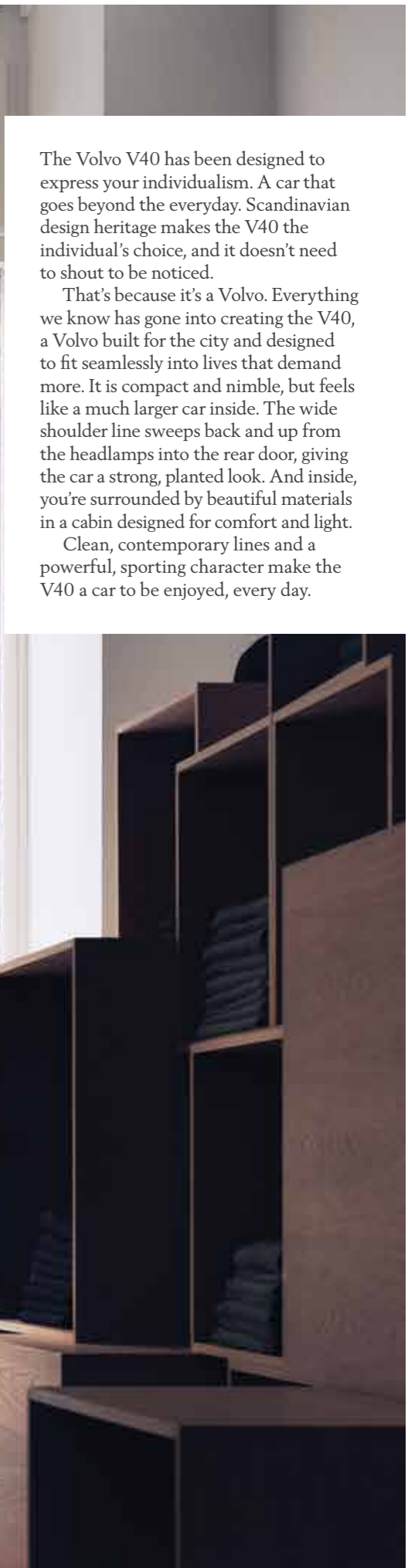
Scandinavian design combines with modern Swedish luxury to enrich your

experience. Intuitive technology makes life less complicated and keeps you connected with the world, while the latest Drive-E powertrains balance responsive power with class-leading efficiency. And our IntelliSafe innovations support you while you are driving, helping to prevent accidents and protecting you if one occurs. They make every journey safer, more comfortable and enjoyable.

We understand what's important to people. It forms the basis of all the innovations which we create. Innovations that improve lives.

At Volvo Cars, we design our cars around you.





The Volvo V40 has been designed to express your individualism. A car that goes beyond the everyday. Scandinavian design heritage makes the V40 the individual's choice, and it doesn't need to shout to be noticed.

That's because it's a Volvo. Everything we know has gone into creating the V40, a Volvo built for the city and designed to fit seamlessly into lives that demand more. It is compact and nimble, but feels like a much larger car inside. The wide shoulder line sweeps back and up from the headlamps into the rear door, giving the car a strong, planted look. And inside, you're surrounded by beautiful materials in a cabin designed for comfort and light.

Clean, contemporary lines and a powerful, sporting character make the V40 a car to be enjoyed, every day.

"This is a compact Volvo that makes a big impression."

DISTINCTIVELY VOLVO *Designed for life.*

With its V-shaped bonnet and strong shoulders that stretch from just behind the headlamps, the new Volvo V40 cuts an imposing figure on the road and at the kerbside. Its distinctive Scandinavian design reflects your individuality, while its dynamic nature is made clear by the car's sporty

character. With optional LED illuminated headlights that share the same striking design as the new XC90, you have a compact Volvo that makes a big impression.

To match those striking LED illuminated headlights, four new front grilles, with either chrome or black gloss bars depending

on trim level, further emphasise the car's dynamic intentions and with a modern and stylish look.

Add an extensive range of alloy wheels with new designs, and you can now personalise your V40 like never before.



We built the V40 to offer an agile drive without compromising its subtle nature. It's everything you expect from Volvo in a package perfectly suited to life in the city and beyond. The athletic body clothes an equally athletic chassis, packed with technology to make your life easier and powered by a range of responsive and efficient powertrains.

Involving and refined, our Drive-E powertrains are designed to give you power without compromise, reducing fuel consumption and increasing control. The chassis, tuned to deliver the perfect balance between comfort and response, is the ideal complement. From a city drive to a weekend away, every journey you make in the V40 is one to be enjoyed. It's the perfect companion for your life.



TAKE YOUR HOME WITH YOU

The best of Scandinavian design.

The V40 is inspired by all the things that make a Swedish home so welcoming – comfort, light and the best of natural materials and craftsmanship.

From the moment you open the door you are welcomed by a cabin full of light and space. A place where you are surrounded by innovation and designed to ensure that you enjoy every journey.

Craftsmanship is a crucial element in Volvo Cars' design and it is reflected in the

way we use materials in the V40. Fine-quality leather with beautiful stitching adds detail without cluttering the overall effect.

By making the most of natural light and softly illuminating the cabin we've completed the picture. This is an interior that will leave you feeling relaxed and soothed. It's your home away from home.



The interior of the Volvo V40 is a special place. It mixes contemporary Scandinavian design with Volvo comfort and ergonomic excellence.



“You’re welcomed by a bright, airy interior. Even the rear-view mirror, with its frameless design, contributes to the feeling of light and space.”

Travel in style and comfort.

Step inside and experience a distinctive, modern interior, mixing the best of Scandinavian design with Volvo Cars’ renowned comfort.

It starts with the seats. Sculpted seat bolsters support and surround you, wherever you are sitting.

Natural light is a Volvo Cars’ obsession – it makes people happy, and the V40 makes the most of all the natural light available. You’re welcomed by a bright, airy interior and

a feeling of space that can be enhanced by the optional full-length panoramic glass roof. Even the rear-view mirror, with its frameless design, contributes to the overall feeling of light and space.

When the night falls, the optional adjustable cabin lighting allows you to select one of the seven colour modes to your mood. The illuminated gear selector adds depth, lighting up the shift pattern.

And the V40 goes further to enhance your

wellbeing. Volvo Cars’ optional CleanZone technology means the air you breathe inside the car is cleaner than the outside’s. A multi filter with active charcoal minimises the levels of dust, pollen and other particles as well as odours, monitoring exterior air quality and closing the car’s intakes to pollutants. You and your passengers will benefit from a fresh, clean atmosphere inside the car.

*"Because everything we do is designed around you,
Sensus' intuitive interface will have you online in seconds."*



SENSUS

Stay connected, wherever you go.

Stay online when you're on the road with Sensus Connect, our technology that connects you and your Volvo to the rest of the world. Because everything we do is

designed around you. Voice control allows you to operate Sensus Connect without having to take your eyes off the road or your hands from the wheel. Play music, find a

radio station or have texts from your phone read to you as you drive.

Light up the dark. Driving in the dark just became a lot more enjoyable and safe. Our optional LED illuminated headlights have an especially wide and long light pattern, while the optional Active High Beam takes care of dipping the lights for you. So you get better illumination and will never dazzle other road users.

"IntelliSafe keeps you informed and alert so that you can concentrate on the road ahead."

INTELLISAFE

*Intuitive safety by Volvo Cars.
For you, and for those around you.*

Keeping you safe is our guiding principle. So every Volvo comes with preventive and protective technology. We call this approach IntelliSafe. It's designed to help us achieve our goal that by 2020, nobody will be killed or seriously injured in a new Volvo.

At Volvo Cars we also consider other road users, too. City Safety keeps an eye on the road ahead and automatically brakes if it detects that a collision with the vehicle in front is imminent.

Should a collision happen then the airbags protect not only the car's occupants but those outside the car too. There are driver and passenger airbags, inflatable curtains for front and rear seats and a knee airbag for the driver. Your Volvo also helps save the lives of pedestrians with an optional exterior airbag that inflates on impact.

Driving at night is safer and easier than ever before with optional LED illuminated headlights for clearer vision and brighter

light, and active high beam to automatically dip the lights for oncoming traffic. Electronic stability control helps to keep the V40 stable and connected to the road so you can drive safely and with confidence, even when conditions are less than perfect.

And you and your passengers are protected by an ultra-strong steel cage – the hidden strength at the heart of your Volvo.

INTELLISAFE



City Safety is designed to prevent you from colliding with the car in front if it stops, or slows suddenly. This advanced IntelliSafe system will automatically brake to avoid a collision and works at speeds of up to 50 km/h – an accident can be avoided at a speed difference of up to 15 km/h to the vehicle in front.

INTELLISAFE

Perfect parking, every time. The optional Park Assist Pilot is like having someone park your car for you. It tells you if a parallel parking spot is the right size for your V40 and then takes over the steering to slot it in.

For parallel parking, it requires a space just 1.2 times the length of your V40, so it can tackle even the tightest of spaces. All you do is put your V40 in gear, brake according to the screen prompts and the car will steer itself into the space. If you want to park yourself, the optional park assist camera and front and rear sensors will help you fit into the space with confidence.

*refer to spec sheet for more detail

"No-compromise efficient power gives you the performance you desire while reducing your costs and environmental impact."

DRIVE-E

Enjoying more. Using less.

Every journey you make in a V40 will be fun. Our Drive-E powertrains strike the perfect balance between performance and fuel economy, so you never have to compromise.

You get responsive, on-demand power with low fuel consumption from our technically-advanced petrol and diesel powertrains. They provide performance, power and efficiency in equal measure. And because our engines are more compact, they allow us to design cars with more space for you and your passengers.

This performance and efficiency comes as standard on every Volvo. Our six-speed Geartronic™ automatic gearboxes make the most of each engine's potential. Designed to minimise power loss and maximise performance, Geartronic™ will always select the right gear for whatever is coming next.

Drive-E includes technologies like Stop/Start and Engine Coasting to make your Volvo even more efficient. Both are standard

on all our cars, operating seamlessly within your car's drivetrain.

Stop/Start cuts the engine when you come to a halt and instantly restarts it when you move off. You drive as normal and your Volvo does the rest, helping to save fuel and cut emissions. The coast function disconnects the engine from the automatic transmission when you release the accelerator at speeds above 65km/h, so it isn't being used to slow the car.

Our powertrains will operate at peak efficiency for years so you will continue benefitting from the low consumption and superior performance. The intelligent electronics self adjust to make sure the engine always stays in tune.

At Volvo Cars, by looking at the future, we enhance your life today. Drive-E brings together advanced technologies to create a better world.



DRIVE-E

VOLVO V40

"Our advanced powertrains mean you can enjoy driving without sacrificing efficiency."



The no-compromise drive.

Every V40 engine is a Drive-E powertrain, so every V40 gives you responsive power with low fuel consumption and emissions. Our advanced powertrains mean you can enjoy driving without sacrificing efficiency.

The V40 has a powertrain for everyone, from the ultra-efficient D3 to the powerful T4. These light, compact four-cylinder engines use low-friction technology to make every drop of fuel work harder and go further, so a full tank lasts longer and has less impact

on the environment.

Drive-E is about more than powertrains. We've applied the no-compromise principles to our transmissions, too. Our six-speed transmissions are perfectly matched to the engines, while helping to maintain excellent fuel economy and refinement.

Ground-breaking technology makes our diesels quiet and smooth ensuring that journeys are relaxed and enjoyable. Our innovative i-ART injection technology

measures precisely the right amount of fuel for each cylinder, making the engine run more efficiently.

With a spontaneous response from the moment you pull away our petrol powertrain will always give you the performance you need, when you need it. Advanced turbocharging means our compact engines pack a powerful punch.

*Features and specification will vary with different models.

*For further information, get in touch with your local authorised volvo car dealership.



Agility on demand.

We developed the V40 to involve and entertain every time you drive it with a chassis that delivers a taut, crisp driving experience. On your favourite roads the V40 rewards you with precision and refinement.

The Dynamic chassis perfectly balances refined comfort with excellent handling.

Corner Traction Control, standard on the V40, makes cornering smoother and safer. It brakes the inner wheel, allowing power to be transferred to the outer wheel, and helping the car avoid understeer. Staying in control is even easier with our optional steering

wheel-mounted paddleshifts.

The direct and accurate steering allows you to make the most of the car's agile nature.

From behind the wheel, the optional three-mode Driver Display keeps you informed and matches your driving style. Elegance is cool and clean. Eco's economy gauge helps you reduce fuel consumption. Select Performance and the illumination changes to red, the speedometer becomes a rev counter and a power gauge appears.

In a Volvo, you can enjoy the finer aspects of freedom. Such as the freedom to explore new roads, the freedom to enjoy the experience and – not least – the freedom to create a car that matches your style and personality. Choosing a Volvo is more than a statement of your personality and individual style. It's about knowing what's most important in life and going in that direction. To show a greater care for people and the world we share, and

never compromise with design and quality. To choose a car that's more human-centric, more intuitive and more efficient – simply much of what empowers you to live a rich, authentic life.

To ensure you get your new Volvo V40 or V40 Cross Country exactly as you want it, we have created a wide range of options, trim levels and personal expressions. If you're in for a more sportier style inside and out for

your V40, why not take a look at R-Design? Whatever you prefer, you can rest assured there's a Volvo V40 or V40 Cross Country for you. Read on, and see what your new V40 will look like. And in case you already know it is the V40 Cross Country that best befits your adventurous lifestyle, you can directly refer to spec sheet.

FREEDOM OF CHOICE, YOUR CHOICE.

Volvo V40

Volvo V40 Cross Country

Volvo V40 R-Design



RDESIGN

INSPIRED BY THE ART OF DRIVING

If you love to drive, the V40 R-Design is for you. With a unique personality, R-Design captures the thrill of a spirited driving experience characterised by style, response and control. A range of distinguished design details raise the dynamic soul of your Volvo and give it a more sporty, distinct road

presence. It's an expression that catches the eye from every angle and hints the promise of an amazing drive, every time. But make no mistake – R-Design goes beyond mere looks. Surrounded by meticulously crafted and expressive interior design details, you can feel it right from the moment you

take your position in the seat. Everything – from the unique R-Design upholstery, the steering wheel and digital driver display, to the personalised interior LED lighting and Charcoal headlining – is there to inspire and support your driving.



RDESIGN

R-Design is Volvo in smart designer sports gear – it's all about a performance-inspired look and feel, both inside and out. It's a truly eye-catching expression with sporty exterior design cues, such as its own distinctive grille, front spoiler, Bright Silver matt finish door mirror caps and striking 17-inch, alloy wheels. At the back, prominent chrome dual tailpipes and motorsport style rear diffuser add the perfect finishing touch.

On the inside, the sporty theme continues with unique Stealth Aluminium decor inlays, Charcoal headlining and seats upholstered in leather/perforated leather. Together, these features give the cabin a technical, cockpit-like feel. Contrasting stitching in the seats, the gear shifter gaiter and the steering wheel in perforated leather, all reinforce the sporty yet elegant ambience. When it's dark, the illuminated gear knob

will add to the driver focused experience inside your V40 R-Design. Further adding to your sense of being in control, the R-Design also provides you with a digital driver display with a unique R-Design display mode. The front armrest easily adjusts to enhance your comfort during long stints behind the steering wheel.



READY FOR YOUR ADVENTURE

The Volvo V40 Cross Country gives you even more potential for adventure and fun, not least when your thirst for spontaneity takes you to roads less travelled. It has the versatility to fit in with your active lifestyle. Yet it also has the agility to really inject some fun into your driving, and its looks will make you stand out from the crowd.

Rugged design cues and larger wheels reveal a stylish yet outdoorsy personality – the exterior leaves no doubt about the intentions of this unique Volvo. A higher seating position and a capable chassis deliver what the appearance promises: an agile all-roader that will provide an entertaining drive – wherever your adventures take you.

So this really is a Volvo for people who don't just talk about adventure, but live it too. For them, the ability to occasionally leave smooth, well-travelled roads behind is essential. For that, you need a tough, durable and stylish partner. And that's really what the

V40 Cross Country is all about.

Your Volvo V40 Cross Country is as personal as the adventures, you're going to enjoy in it. To begin with, we raised the ride height, which gives you a more commanding view of the way ahead – which is useful both in town and when you're in the countryside. Then we covered vulnerable areas with a durable black bodykit to protect the nose and tail from stone chips. Add to this some gorgeous styling touches such as the Cross Country front grille and a front skid plate that connects visually with the optional side scuff plates, and you have the best of contemporary Scandinavian Design, just with added attitude. The aerodynamically designed roof rails further enhance the capable character of your V40 Cross Country.

Inside, you can choose from a variety of single- or dual-tone designs with accent stitching that really enhances the sporting

feel of your V40 Cross Country – with seats upholstered in leather. And for a more distinct cockpit-like feel, most of the interiors are available with Charcoal headlining. An optional panoramic glass roof will provide an extra light and airy cabin for you and your passengers. The optional ambient lighting lets you choose your desired interior ambience after dark from a selection of seven different modes. An illuminated gear shifter and a frameless rear-view mirror complete an interior that reminds you and your passengers that this is a superbly designed vehicle, wherever your adventures take you. The digital driver display keeps you in control with three graphic modes to choose from.

So if you're looking for a car that not only stands out from the crowd, but is also a perfect companion on all roads, the Volvo V40 Cross Country is for you.





Even more V40,
even more you.

Personalise your V40 and express your unique style with our range of accessories. Opt for our exterior styling kit to give your V40 an even more individual look, and choose from a range of alloy wheels that enhance the car's athletic stance. Created by us to perfectly complement your car.

Make your V40 all yours with our exterior styling kit. Designed and built by Volvo, each element is made of high-quality materials

and becomes a natural extension of the V40's distinctive character. Volvo styling accessories are tested in a wind tunnel, so they're engineered for optimum aerodynamic efficiency and can also help to improve stability at high speed.

The roof spoiler enhances the dynamic profile. The upper part is colour-matched to the car's body, while the contrasting black underside makes for a crisp, contemporary look. Aircraft-inspired fins and winglets improve airflow and increase downforce,

while the car's high-level brake light is smoothly integrated.

A rear diffuser that sits perfectly within the bumper replaces the standard item. It gives the V40 a sportier identity and comes with twin oval tailpipes that create a particularly powerful appearance when the car is viewed from the rear.



Cross Country accessories. Go even further.

Make your V40 Cross Country your own, with an exterior styling kit that emphasises the car's robust nature and adventurous personality. Created by Volvo designers and engineers to fit your car, and your life, perfectly.

Our exterior styling kit accentuates the rugged look of the V40 Cross Country. The side scuff plates, with their chunky ribbed details, give the car a tougher appearance and highlight its raised stance. They have a silver-painted finish that contrasts the V40

Cross Country's black side sills, adding to the car's bold, contemporary character.

At the rear, a special skid plate includes a larger body-coloured area, for an even stronger, more refined look. Double oval tailpipes in chromed stainless steel replace the standard tailpipes. These are neatly integrated into the skid plate and add to the car's purposeful appearance.

A special rear bumper cover, made of a rubber-like material surrounded by silver-coloured trim, is both attractive and practical. As well as enhancing the distinctive styling, it

protects the paint on top of the rear bumper from scratches caused when loading or unloading through the hatch.

The 19-inch Atria alloy wheel, available as an accessory, is an ideal way to complete the look. Atria's Diamond Cut faces and matt black rim interior suits the V40 Cross Country's rugged style perfectly.



1. See more lifestyle accessories at collection.volvocars.com **2.** Our new generation rear-facing child safety seats help provide effective protection with superior comfort and enhanced possibilities for rest and sleep. **3.** The aerodynamically designed roof load carriers blend harmoniously with the design of your V40 and provide a solid foundation for our easy-to-use rooftop carrying system. **4.** The combined load compartment mat and organiser with three movable aluminium dividers helps you keep items well organised on or under the load compartment floor. **5.** Keep your important small items within easy reach under the parcel shelf with this handy net.

6. The Volvo accessories are designed to fit perfectly with your V40 and to support your lifestyle. **7.** Atrius, 7.5x18", Dark Grey/Diamond Cut or Black Stone/Glossy White **8.** Ailos, 8x18", Dark Grey matt/Diamond Cut with Red decor, Dark Grey matt/Diamond Cut with White decor or Dark Grey matt/Diamond Cut with Lime Decor **9.** Atria, 7.5x19", Matt Tech Black/Diamond Cut **10.** Alecto, 7.5x19", Light Grey with Silver insert, Light Grey with Raw Copper insert, Black Stone with Silver insert, Black Stone with Raw Copper insert or Black Stone with Matt Black insert

Create a V40 that's perfect for your life.

A pleasurable part of buying a new Volvo is putting your personal stamp on it. You can do this by choosing accessories that reflect your own taste and that cater to your particular lifestyle.

If you sometimes have to bring gear inside your car, our range of load accessories can give you a helping hand. A reversible load compartment textile/rubber mat allows you to bring dirty stuff when needed yet maintaining an elegant appearance the rest of the time. To help you organise and secure gear, bags and loose items, our load organiser with floor rails will help you divide

the load compartment exactly as you want it. And if you need to carry sports equipment such as skis, bikes or a kayak, we have created a range of specially-designed load carriers that you conveniently fit on the roof of your V40.

For your children, our new generation Volvo child seats help provide world-class protection and premium comfort. Infants of up to one year-old (or 13kg) travel safely backwards in our new comfortable rear-facing infant seat. And because we recommend that children should travel facing to the rear as long as it's possible,

our new rear-facing child seat for children up to 6 years (or 9–25kg) allows the child to be seated backwards for many years with generous legroom. When the child has outgrown the rear-facing child seat, our new booster seat with backrest is designed to position the child at the correct height for the safety belt. The child seats' elegant soft wool upholstery matches the interior of your Volvo and provides excellent breathable and moist-absorbing characteristics for maximum comfort.

The simplest way to own a car.

We love it when you're happy. When things are easier than you expect, or go faster and become better. Because when you buy a Volvo, you buy the simplest way to have a car. Financing, insurance, servicing, changing tyres, cleaning – those aspects of car ownership that you might not find very interesting, are the ones that we love to make easier and better for you. That's why your

Volvo Car dealer will always offer you a whole range of simplifying services and offers all designed around you, giving you the most carefree ownership experience possible.

Still, this is just the beginning. Through our uniquely Swedish approach to innovation, we continuously find new ways to make your life simpler. For instance, the Connected Service Booking function, which lets you book

an appointment just by pushing a button in your car. Or the new way of working in teams – like in a racing pit-stop – that is gradually being introduced in Volvo Car workshops all over the world. We call it Volvo Personal Service and it will make your workshop visits much shorter and more convenient. In the future, servicing your car will be so much simpler.

BUYING & OWNING

- Extended Warranties
- Financing
- Insurance
- Service Contract

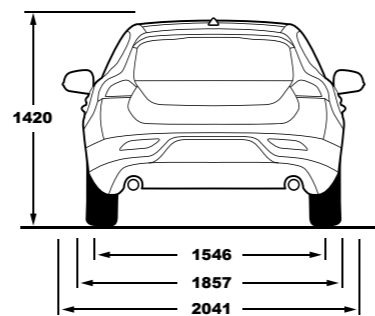
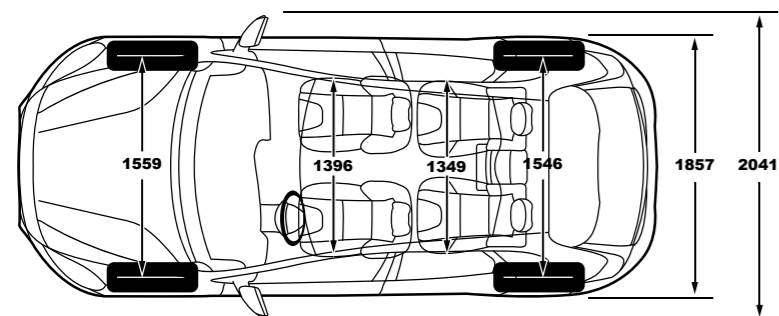
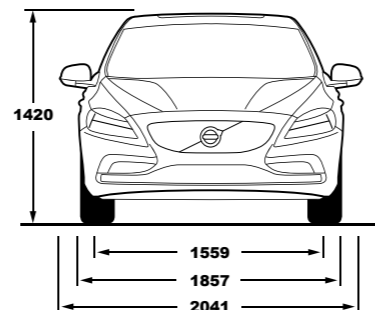
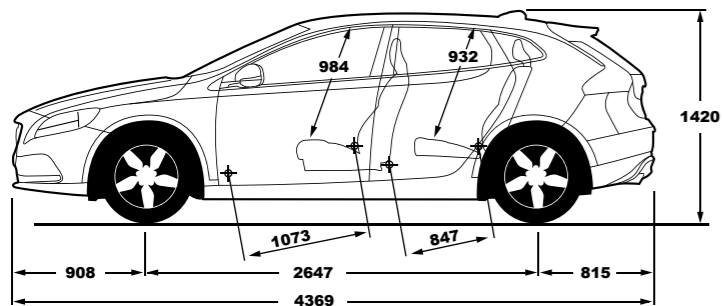
MAINTENANCE & SERVICES

- Volvo Genuine Service
- Volvo Professional Car Care
- Tyre services

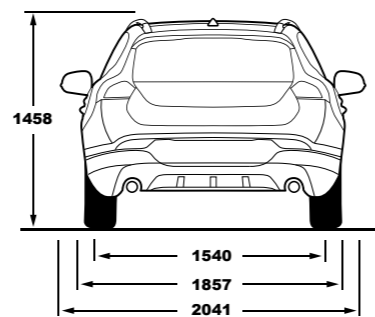
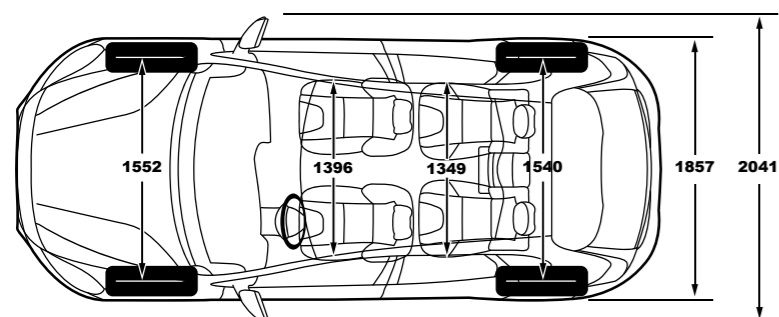
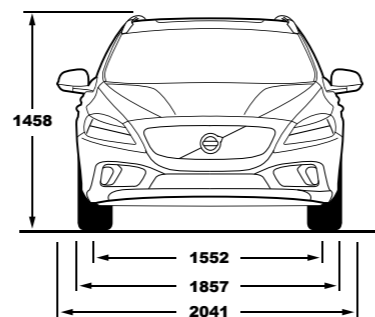
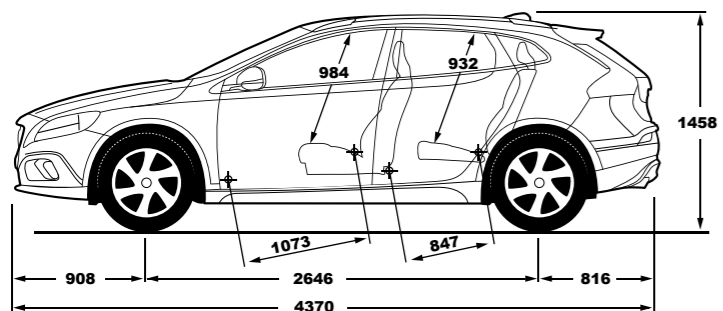
IF SOMETHING HAPPENS

- Volvo Assistance
- Repairs
- Volvo Glass Services
- Volvo Dent Repair
- Car Climate Services

VOLVO V40



VOLVO V40 CROSS COUNTRY



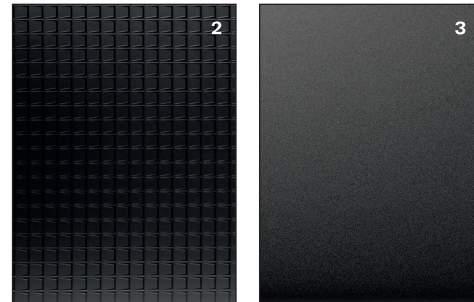
Please note: Some of the information in this brochure may be incorrect due to changes in product specifications that may have occurred since printing. Some of the equipment described or shown may now only be available at extra cost or may no longer be offered. Before ordering, please ask your Volvo Car dealer for the latest information. The manufacturer reserves the right to make changes at any time and without notice to prices, colours, materials, specifications and models.

V40 SPECIFICATION SHEET



UPHOLSTERIES 1. Leather Charcoal in Charcoal interior (PZ00)

INLAYS 2. Decore R-Design 3. Decore Charcoal



| | D3 Kinetic | D3 R-Design |
|---|------------|-------------|
| TECHINCAL DATA | | |
| Capacity (ccm) | 1969 | 1969 |
| Max output in hp | 150 | 150 |
| Max torque in Nm | 320 | 320 |
| Ground clearance (mm) | 133 | 133 |
| TRANSMISSION/ENGINE | | |
| Automatic 6-speed FWD | S | S |
| Auto Stop/Start | S | S |
| Speed limit (km/h) | 210 | 210 |
| CLIMATE | | |
| Air Quality System | S | S |
| Clean Zone Interior software Pre-ventilation | S | S |
| Electronic Climate Control, Dual zone | S | S |
| Electrically heated rear window | S | S |
| Heated windscreen washer nozzles | S | S |
| Fixed panoramic sunroof | - | S |
| LOCKING AND SECURITY SYSTEMS | | |
| Alarm | S | S |
| Interior movement sensor | S | S |
| Inclination sensor | - | S |
| Immobiliser | S | S |
| Key integrated remote control, central locking | S | S |
| Personal Security Communicator + Keyless Drive | - | S |
| Keyless Start | S | - |
| Home safe lighting | S | S |
| Approach light | S | S |
| Electrical child lock, rear side doors | S | S |
| Lock cylinder glovebox | S | S |
| Electrical Lock Status Indication in Driver Door | S | S |
| Global open/close doors | S | S |
| Auto up/down power windows, all doors | S | S |
| Tempered Side Windows, without WRG | S | - |
| Tempered Side Windows, with WRG | - | S |
| SEATS | | |
| Leather seats | S | S |
| Power driver seat with memory driver side + mirrors | S | S |
| Power passenger seat | S | S |
| Heated front seats | - | S |
| INTERIOR | | |
| Drivers Information Module with TFT instrument | S | S |
| Decor, R-Design | - | S |
| Decor 'CHARCOAL' | S | - |
| Deco insert, doors/dashboard, charcoal | S | - |
| Deco insert, doors/dashboard, bright | - | S |
| Leather steering wheel, 3 spoke | S | - |
| R-Design, Steering wheel | - | S |
| Gear Shift Paddles | - | S |
| Gearlever knob leather | S | - |
| Gearlever knob R-Design | - | S |
| Front read + foot well lights | S | - |
| Interior lights package with illum. gear knob | - | S |
| Leather handbrake | S | - |
| Leather handbrake R-Design | - | S |
| Pedal R-Design | - | S |
| Chrome rings on audio and climate control knobs | S | S |
| Automatic dimmed inner mirror + Compass | S | S |
| 2 illuminated sun visors | S | S |
| Cigarette lighter and ashtray | S | S |
| Rear armrest | S | S |
| Cupholders in rear seat | S | S |
| Sun glass holder | S | S |
| Carpet kit | S | - |
| Carpet kit, R-Design | - | S |
| Front cup holders in tunnel console | S | S |
| Storage in front doors | S | S |
| Storage in front of the centre console | S | S |
| Sliding armrest, tunnel console | S | S |
| Jalousie in tunnel console | S | S |
| Front armrest | S | S |
| With ticket holder | S | S |

*Kindly check with your local authorised Volvo Cars dealer on the exterior colour, upholstery and wheel option available for your car.

| | D3 Kinetic | D3 R-Design |
|--|------------|-------------|
| LUGGAGE COMPARTMENT | | |
| Load cover/Parcel shelf | S | S |
| Foldable high positioned load floor | S | S |
| Aidkit type 1 | S | S |
| Warning triangle | S | S |
| Tempa spare tyre, T115/90 R16 | S | S |
| Jack | S | S |
| EXTERIOR | | |
| Standard decor side windows | S | - |
| Bright R-design decor around side windows | - | S |
| Heated and electrically adjustable outer mirrors | S | S |
| Retractable outer rear view mirrors | S | S |
| Puddle lights outer rear view mirrors | S | S |
| Colour adapted mirror covers | S | - |
| R-Design mirror covers | - | S |
| LED, with Automatic Bending Light, High Level | S | S |
| Headlight washer, low flow | S | S |
| LED DRL lights combined with position | S | S |
| Dual headlights | S | S |
| Front Standard | S | - |
| Front R-Design | - | S |
| Coloured bumper | S | - |
| Colour matched bumper for R-Design | - | S |
| Roof spoiler, high performance optimised | S | S |
| Rear foglight auto-off | S | S |
| Grill, Standard | S | - |
| Grill, R-Design | - | S |
| Grill Lower, std. Grained finish | S | S |
| Tread plate, R-Design | - | S |
| SUPPORT SYSTEMS | | |
| Trip Computer | S | S |
| Cruise Control | S | - |
| Adaptive Cruise Control | - | S |
| City Safety | S | S |
| Lane Keeping Aid | - | S |
| Driver Alert System | - | S |
| Active High Beam | - | S |
| Forward Collision Warning | - | S |
| Blind Spot Info, System + Cross Traffic Alert | - | S |
| Rear Parking Camera | - | S |
| Prep. for Rear Parking Camera | S | - |
| Parking Assistance, rear | S | - |
| Park Assist Pilot + Park Assist, front and rear | - | S |
| Hill Start Assist | S | S |
| Height/length adjustable steering wheel | S | S |
| Electro power steering | S | - |
| Steering forces - 3 settings in the menu | - | S |
| Rain Sensor | S | S |
| Tyre pressure monitoring system | S | S |
| SAFETY | | |
| 2 step airbag, drivers/passenger side | S | S |
| SIPS airbags | S | S |
| Inflatable curtains | S | S |
| Whiplash protection, front seats | S | S |
| Pedestrian Protection R-Design | - | S |
| Knee airbag, driver side | S | S |
| Adaptable pre-tensioners, all 4 outer seats | S | S |
| Cut-Off Switch Passenger Airbag | S | S |
| Emergency Brake Assist, EBA | S | S |
| Emergency Brake Light, flashing | S | S |
| High positioned rear brake lights | S | S |
| Intelligent Driver Information System | S | S |
| AUDIO, NAVIGATION & TELEMATICS | | |
| High Performance/USB/Bluetooth | S | S |
| Single DVD, 17.78cm (7 inch) screen | S | S |
| USB & IPOD function | S | S |
| Audio buttons in steering wheel | S | S |
| Navigation | S | S |
| Voice control, advanced | S | S |
| CHASSIS | | |
| Chassis, Dynamic | S | S |
| Electronic Stability Control, ESC (DSTC) | S | S |
| Advanced Stability Control | S | S |
| Anti-lock Brake System, ABS | S | S |
| WHEELS | | |
| 45.72cm (18 inch) IXION R-Design Alloy Wheel | - | S |
| 43.18cm (17 inch) SEGOMO Grey Alloy Wheel | S | - |

VOLVO V40

Exterior Colours, Trim Level, Upholsteries and Alloy Wheels



612
Passion Red Solid



614
Ice White Solid



707
Crystal White Pearl



714
Osmium Grey



717
Onyx Black



720
Bursting Blue



Segomo, 43.18cm (17 Inch)
Grey Alloy Wheel



Ixion, 45.72cm (18 Inch)
R-Design

V O L V O