



VOLVO XC60









WE ARE REDEFINING PERSONAL MOBILITY.

Our aim is to provide freedom to move in a personal, sustainable and safe way. We do this by putting your needs first – using the best available technology to serve you, inventing new technology where none already exists and combining technologies to deliver new experiences.

At Volvo Cars, we have always put people first. We believe that technology should set us free – not restrain us. The car shall be an enabler of a richer, less complicated life. And as a progressive provider of personal mobility, we want to enable a future of fully connected, fully electrified and self-driving cars.

We are committed to pursuing our visions:

- No one should be seriously injured or killed in a new Volvo car by 2020.
- We want to give back one week of quality time per year through a new Volvo car by 2025.
- Around 50 per cent of the cars we produce and sell will be electric by 2025.

These visions reflect our commitment to protecting what's important to you and the world we share. This is summarized in the Swedish word 'Omtanke' which stands for caring and consideration. It also means 'to think again', so we collaborate with some of the world's top tech companies to nurture innovations that will take us into a better, more sustainable future.

Our goal is to make your life easier and more enjoyable – and to give back that sense of joy and freedom that the car represents.



THE EVOLUTION OF THE DYNAMIC SWEDISH SUV EXPERIENCE.

The Volvo XC60 is the perfect balance between comfort and control. It's the SUV where bold design meets a beautiful interior, where technology is natural and where every drive is a pleasure.

With its dynamic, commanding presence, the XC60 is the SUV with a unique Scandinavian attitude. The exterior mixes muscular dynamism with clean, elegant Scandinavian design. One glance tells you this is a car that's ready for whatever activity or challenge awaits. And the interior is crafted from the finest Swedish materials, making sure it's full of natural light and packed with clever touches to make every day easier.

Behind the wheel, you can enjoy technology with a human touch. You're connected, and our most advanced safety technology will help looking out for you, your passengers and other road users.

This is the dynamic Swedish SUV experience. Evolved.





The Volvo XC60 possesses all the qualities of good Scandinavian design – understated yet confident, uncluttered and beautiful. It is an SUV that projects poise and power. In profile, the bonnet, rising side window line and sharply angled tailgate highlight its dynamic nature. Large wheels and pronounced wheel arches express the car's athleticism and capability.

Up close, the sharp creases and sculpted side panels emphasise its muscular, contemporary character. Full-LED headlights with distinctive T-shaped daytime running lights create an unmistakable impression, day or night, while rear lights that flow into the tailgate are a Volvo design cue that emphasise the car's strength. Everywhere you look there is something to delight. The XC60 is a car that you will always be proud to own and which you will never tire of looking at.



PLEASURE FOR YOUR SENSES.

The Volvo XC60 is built for enjoyment, because we think you should enjoy every drive in your car, no matter how short or long the journey. That's why we crafted the XC60 to be a car that you feel inspired and confident to drive. One where you always feel in control, and where technology is there to support you and make every interaction second nature.

With its strong, lightweight construction and sophisticated suspension components, the chassis of the XC60 allowed us to find just the right balance between comfort and control. To create a car that offers great driver feedback but which leaves you feeling fresh, even after a long journey.

Experience the rewards offered by the dynamic handling in a cabin that provides outstanding comfort and a calm, restful environment. With seats designed to perfectly complement the human form, quiet powertrains and first-class sound systems that let you enjoy your favourite music as the artist intended, the interior of the XC60 is a haven. This is the Volvo approach to driving enjoyment.



THE COMMAND CENTRE.

When you sit in the driver's seat of the XC60 you're in control. In control of everything the car can do for you and in control of your journey, from the driving position to the way you interact with the navigation system.

The experience starts with the driving environment. The dashboard and centre console wrap around, creating the feeling of a cockpit and putting you in command. Beautifully designed and finished controls make every interaction with the XC60 a pleasure.

We put as much thought into materials as we do into design. The tailored dashboard with contrasting stitching and decor in genuine wood allows the materials to speak for themselves. You're surrounded by the precision of skilled craftsmanship, where everything works with accuracy and precision. In the XC60, it's effortless to be in command.

YOUR SANCTUARY.

When designing the interior of our cars, we apply the same principles you would when designing a living room. High-quality materials, intelligent use of space and attention to detail, work together to create a warm, inviting environment. And it's for all of your passengers. Everyone who travels in the XC60 gets the same standards of comfort, space, light and design. Everyone will enjoy the journey, no matter where they sit. Welcome to a sanctuary that calms and soothes.

Exceptional seating is at the heart of the experience. We build all of our seats to give the same high standards of comfort and support, with plenty of adjustment so everyone can find a position that suits them.

The design of the interior is as important as the way it's built. Light floods in through the panoramic roof to make the cabin bright and airy. Reducing the number of buttons and switches creates a distinctly Swedish feel of uncluttered calm. And the clever use of space, such as the storage compartments under the rear seats, is typical Scandinavian ingenuity. They're just the right size to store electronic devices, like a tablet, out of sight.

Unlock the car and the door handles light up to make getting into the XC60 quick and easy. At night the cabin glows with the warmth of its interior lighting, welcoming you into the car. The optional lighting package includes ground lighting in all of the doors to illuminate the area below an open door, so you can avoid stepping into puddles, as well as additional interior lighting such as a worklight in the tailgate.

CleanZone technology means the air you breathe inside the car is clean and fresh, regardless of the air quality outside the vehicle. It filters dust, pollen, particulates and odours while monitoring the air quality and closing the intakes if pollutant levels rise too high. It happens automatically – all you need to do is set the temperature you want and the XC60 does the rest.

The panoramic roof extends the full length of the cabin, flooding the interior with natural light – so everyone gets the benefit.



Rich materials and intricate detailing, like the Driftwood trim, and yellow Aramid Fibre speaker cones behind stainless steel speaker panels, provide contrast and visual interest.



The combination of clear, easy-to-read instruments and the distinctive lines of the dashboard look great and work beautifully. They exemplify the meeting of form and function.



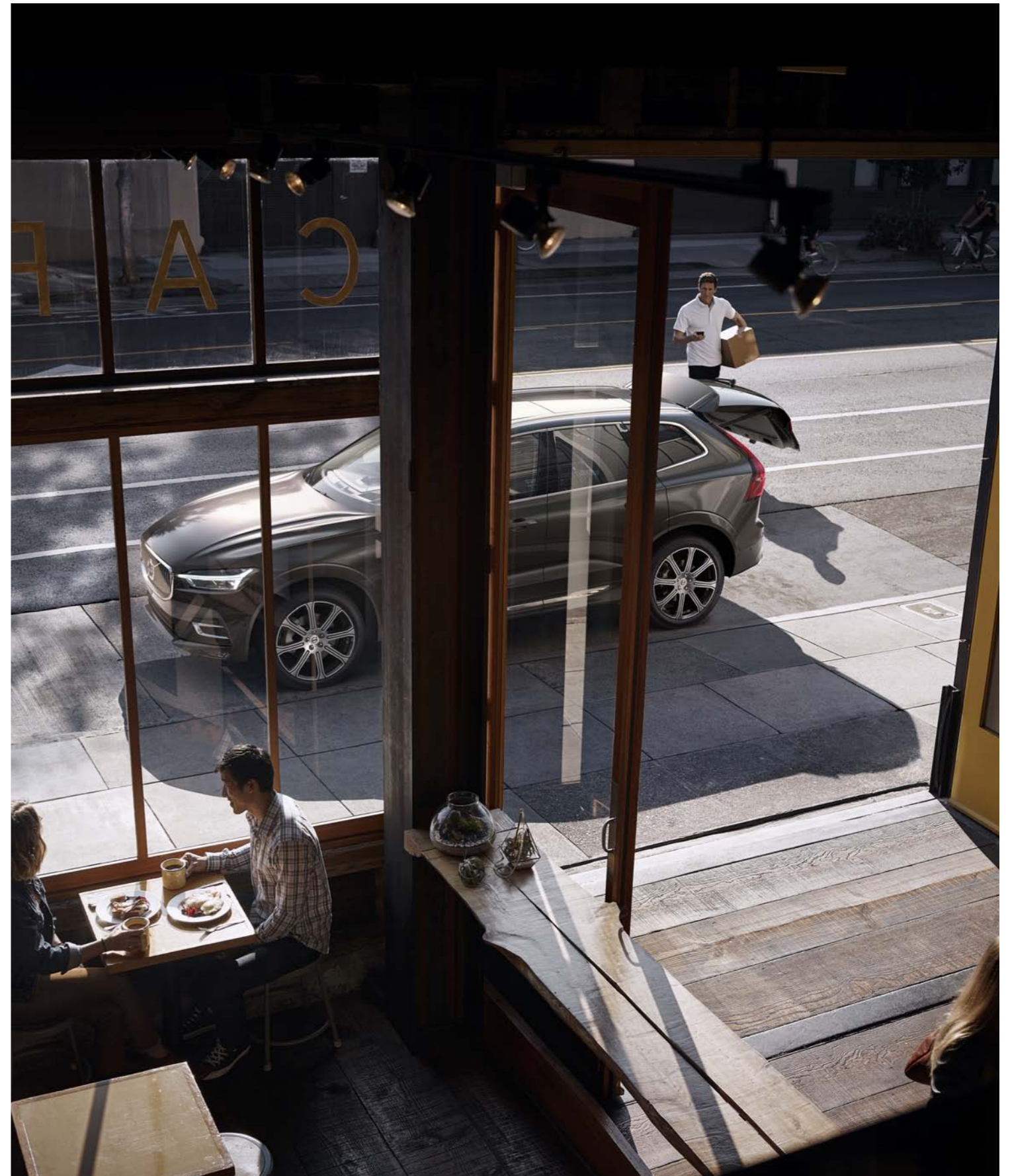
The way we've reduced the number of buttons has created a clean, uncluttered cabin reminiscent of the traditional, functional design of Swedish homes.

VERSATILITY'S NEW LOOK.

A car has to be more than great design and a rewarding driving experience – the XC60 is versatile, a place which complements and copes with your active life, with extra usefulness built in.

Even getting into the XC60 is easy – you can open the Powered Tailgate by waving your foot under the rear bumper. Inside you'll find a large, evenly shaped load compartment that makes it easy to accommodate irregular sized objects.

A loading hatch in the seats means you don't have to fold the seats to carry long objects, so you can still carry passengers. And, to make your XC60 even more useful, add extra equipment from our accessories range, which are designed to complement the car's interior.



STAY CONNECTED AND IN COMMAND.

We create technology to serve you and make life easier. Everything that's complicated or doesn't add to your experience is removed.

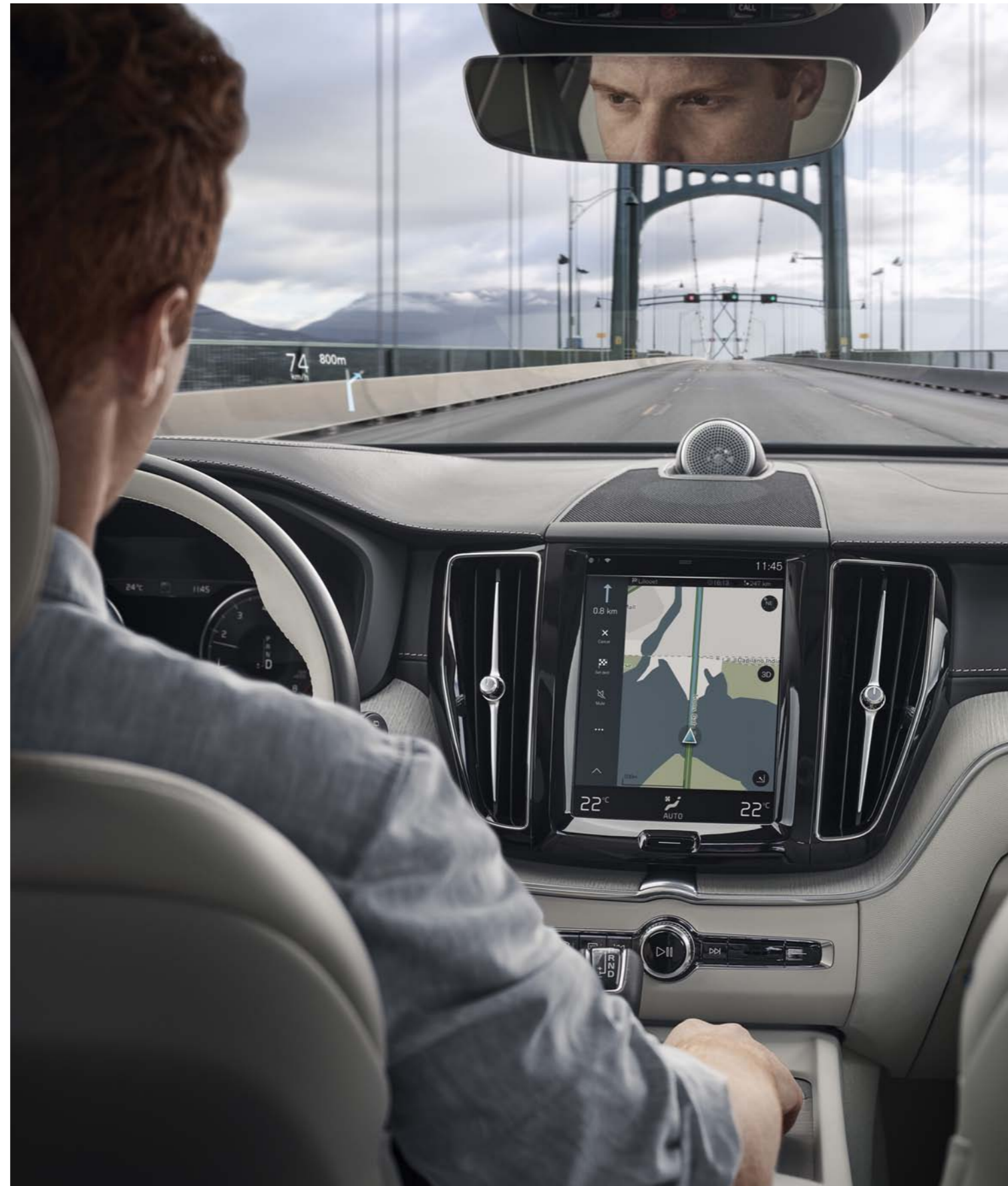
You control your Volvo intuitively and easily. And seamlessly connected with the car and the world around you, you're in command of every aspect of your journey.

At the focal point of the cabin, you find a large, 22.86 cms (9 inch) centre display with touch screen. It's as easy and straightforward to operate as your smartphone, with bold, clear graphics so you can keep your attention on the road. The touch screen blends seamlessly with the car's clean interior design and is easily operated. You can even operate it wearing gloves.

Essential driving information is clearly presented in our 31.24 cms (12.3 inch) driver display. It adapts to your needs, preferences and surrounding light, so information is always shown on your terms.

Your Volvo also listens to you. Keep both hands on the steering wheel and speak naturally; our voice control will carry out your command to operate climate control, navigation, entertainment and your smartphone.

In a Volvo, you and your car act as one.



Sensus Navigation.

Road directions are clearly shown in the driver display, centre display and head-up display. Touch screen controls allow you as well as your passenger to operate the system conveniently and safely. Or talk naturally to your Volvo, and let our voice control carry out your commands while you can keep full attention to traffic.

FEEL THE MUSIC.

Inside the cabin of your Volvo you can enjoy an audio system designed to put you closer to the music you love, wherever you're seated.

All our audio systems are tailored to the acoustics of your Volvo. Our audio philosophy is very simple: it's all about the soul of music, not the number of speakers or watts. And together with the audio specialists at Bowers & Wilkins, we have created some of the best-sounding audio systems in the class.

If you're truly passionate about music, the Bowers & Wilkins

audio system with a full 1100W output will take the experience to an even higher level. The 15 separate high-end speakers – including a tweeter-on-top centre speaker that minimises acoustic reflection from the windscreen and our unique air-ventilated subwoofer – will surround you with a powerful, pristine sound that feels more spacious and true to life than ever.

It's all about music and making it possible for you to experience it just as it was intended when it was created.



Our Bowers & Wilkins audio system integrates seamlessly with the cabin architecture of your Volvo to deliver the most realistic immersive sound possible. Innovative audio processing technology with three room modes allows you to recreate the acoustics of a specific room inside your Volvo, bringing you even closer to the music. And to enable extremely low and undistorted bass tones, the air-ventilated subwoofer uses innovative technology that allows it to pulse large amounts of air, actually turning the cabin into one big woofer.



Smartphone integration. Use your smartphone in a smarter way. Via Apple CarPlay™ or Android Auto™, you simply integrate the familiar functions and interface of your smartphone* with the car's centre display. You can enjoy music, make calls and send messages easily via the car's touch screen, steering wheel buttons or voice control.

*Supports iPhone® (5 or later) or Android smartphones (5.0 Lollipop or later).

Intuitively connected. You operate the audio system and hands-free phone easily using the touch screen controls, steering wheel buttons or voice control. Bluetooth® connection also allows convenient streaming of music via your phone.

PILOT ASSIST. DESIGNED TO MAKE DRIVING SAFER AND EASIER.

Our latest advances in supportive driving technologies allow you to enjoy smooth, intuitive driving from standstill up to motorway speeds.

To make driving in demanding traffic less stressful, we created Pilot Assist and Adaptive Cruise Control. This means your Volvo automatically helps you maintain a safe distance from the car in front of you by adapting your speed while helping to keep you centred in the lane by automatically making small steering adjustments. This technology also makes driving

in stop-and-go traffic more effortless. Maintaining the set distance, your car follows the car ahead of you and can brake automatically to a full stop when needed. And if the car in front just makes a short stop, your car starts following it as it takes off again.

This is driving made safer and easier, with the aim to optimise your control, comfort and convenience.

Please note: The driver is always responsible for how the car is controlled, the functions described here are only supportive.



CITY SAFETY TECHNOLOGY. YOUR PRO-ACTIVE PARTNER ON THE ROAD.

With advanced pro-active safety technology we add extra power to your senses and enhance the confident feeling of being in control.

At the heart of our safety technologies is City Safety. By helping you to keep a lookout and brake or steer away if necessary, it makes driving more enjoyable while helping to prevent accidents.

City Safety can identify other vehicles, pedestrians, cyclists and large animals ahead of you, even at night. It warns you if needed and can brake automatically to help you avoid a collision or reduce the impact. And our advanced Oncoming Mitigation by Braking technology – a Volvo safety world first – can detect if there's another vehicle driving towards you and can brake automatically to help mitigate the impact.

Your Volvo can also support if you're forced into a rapid evasive action at speeds between 50 and 100 km/h. As you begin to steer away, City Safety can help you do it as effectively and safely as possible by braking the inner wheels individually and reinforcing your steering input.

City Safety is simply your perfect partner; pro-active when it's needed, and staying discreetly in the background the rest of the time.



Oncoming Mitigation by Braking

A Volvo Cars safety world first, this innovation can detect vehicles heading towards you on the wrong side of the road. If a collision can't be avoided, it can brake your car automatically and tighten the optional prepared front safety belts in order to help reduce the effect of a collision.



Oncoming Lane Mitigation

Using automatic steering assistance, this system helps you avoid collisions with oncoming vehicles. If you drift across the lane markings in the way of an oncoming vehicle, your car can alert you and gently help steer you back into the correct path.



Lane Keeping Aid

If you're about to cross a lane marking unintentionally, the Lane Keeping Aid can gently help steer your car back into its lane. If this is not enough or you keep steering across the lane markings, you'll be alerted with vibrations in the steering wheel.



Run-off Road Mitigation

Stay safely on the road with this Volvo Cars safety innovation. If Run-off Road Mitigation detects you're about to leave the road unintentionally, it can provide steering input and, if necessary, brake support to help you back on track.



PERFECT PARKING, EVERY TIME.

In a Volvo, you can enjoy smooth parking.

Our navigation system gives you access to an in-car app that helps you find the nearest free parking space and even pay for it. When parking, you're supported by front and rear park assist functions that alert you if there are obstacles in your way. And by adding our 360° camera, you get a detailed bird's eye view of the area surrounding your Volvo – a great help when you reverse or manoeuvre in confined areas with impaired visibility.

If you want, our Park Assist Pilot can help park the car for you. It measures the parking space, and if the space is at least 1.2 times the length of your car it can park by taking over the steering – you just control the brakes and gears. Park Assist Pilot handles both parallel and perpendicular parking, and can also assist when leaving a tight parallel parking space.



360° camera

The 360° camera uses images from discreetly mounted cameras to create a bird's eye view of your car and its closest surroundings. In the centre display, you can see obstacles all around you, which makes it easier to park and manoeuvre in tight spaces.



DESIGNED TO PROTECT.

Protecting you and your passengers has always been at the heart of every car we make, and the advanced safety features in your Volvo are the result of decades of passionate innovation.

In a Volvo, it's the interaction between all the safety features that determines how efficiently the car will protect you and your passengers in a collision. Everything, from the design of the seats to the surrounding safety cage and the safety belts and airbags, works together to help minimise the strain on all occupants and maximise protection.

The front seats not only provide world-class comfort. They are also designed to protect you in the event of an impact. Our unique whiplash injury protection helps protect your back and neck if your car is hit from behind. And in a run-off road scenario, the energy-absorbing front seat structure will help protect your spine in a hard landing, should the car become airborne.

It's this range of safety technologies and attention to detail that makes your Volvo a safe place to be.



Crash-absorbing front seats

The sculpted front seats in your Volvo are more than just beautiful to look at. Their unique structure helps to absorb a vertical impact, helping to protect your spine if the car lands heavily after leaving the road. It's another example of how we make every part of a Volvo work harder for your safety.

Volvo safety cage

The passenger compartment uses a high percentage of ultra high-strength boron steel to create a protective cage around everyone inside the car, while front and rear deformation zones help dissipate the crash energy. The safety belts and airbags work together to cushion you and your passengers in a controlled fashion.



Child safety

At Volvo Cars we've spent decades continually researching and improving child safety. Our unique approach includes creating and carrying out tests based on real-life traffic situations, as well as testing our child seats* alongside our cars. With our latest range of child seats, we offer unparalleled protection.

*This is an accessory & does not come with the regular features of the car.

ENJOYING MORE, USING LESS.

With the perfect balance between performance and efficiency, every Volvo powertrain gives you a great drive with low fuel consumption and reduced emissions. The combination of lightweight, low-friction engine design and advanced boosting technology allows you to enjoy outstanding performance and a smooth, agile driving experience. Reduced size and weight also frees up interior space and contributes to the car's dynamic handling.

Precise manual transmissions and our eight-speed Geartronic™ automatic gearbox make the most of each engine's potential. Designed to minimise power loss and maximise performance, Geartronic™ will always select the right gear for whatever is coming next, or you can choose to change gear yourself in manual mode.

The powertrain can also adapt to the mood you're in. Select Comfort, Eco, Dynamic, Off Road or Individual mode with our drive mode control, and the powertrain, steering and optional active chassis with air suspension adapt instantly to your preferences.

Whichever powertrain you choose for your Volvo, you will enjoy the benefits of responsive power and uncompromised efficiency – simply a great drive.





DRIVE, DON'T COMPROMISE.

We believe a car can be both great to drive and comfortable, so we built the XC60 to strike that balance between control, precision and comfort. It's a car that rewards the way you drive with response and control. A car for long distances and memorable journeys.

Sophisticated double-wishbone front suspension and our innovative integral axle rear suspension work together to put you in control of every drive. You get a car that responds to your commands but doesn't sacrifice the comfort you need.

Our AWD technology with Instant Traction™ gives you an edge by increasing driving stability and traction – on all road surfaces and in all weathers. As conditions change, wheels with the best grip get the most power to optimise your drive.

The drive mode selector with five different drive modes allows you to tailor the car's behaviour to your mood and find the perfect setting for the road you're on. Altering the engine, gearbox, accelerator and steering response changes the way the car behaves. On rough roads, Off-road mode makes the XC60 easier to control at the low speeds needed to tackle bad surfaces, and engages Hill Descent Control to make descending slopes safer and simpler.



Volvo XC60 Inscription
The dynamic expression
of Swedish luxury.

CREATE THE SWEDISH SUV OF YOUR CHOICE.

Our approach in everything we do is to always put people first. This also includes allowing you the freedom to create a Volvo that perfectly matches your style and personality.

To ensure you get your new Volvo XC60 exactly as you want it, we have created a range of options, trim levels and personal

expressions. Maybe you want to indulge your senses in the finest Swedish luxury? Then you'll feel at home with XC60 Inscription. Whatever you prefer, you can rest assured there's a Volvo XC60 for you. Read on, and see what your new XC60 will look like.



Inscription

A HIGHER GRADE OF REFINEMENT.

We created the exclusive Volvo XC60 Inscription to meet your highest expectations on Swedish luxury. It's a highly personal expression that evokes a strong sense of elegant refinement. Each detail is carefully selected to give you and your passengers a stylish and invigorating experience. Distinguished exterior design cues enhance the luxurious look and feel of the XC60, while the meticulously crafted interior with leather seats gives you ample room for a relaxed driving experience.

Exceptional seating is at the heart of the experience. We build all our seats to give the same high standards of comfort and support, with plenty of adjustment so everyone can find a position that suits them. With the front massage seats, you and your front seat passenger can easily tailor the massage function to your preferences. This luxurious amenity massages your back during long journeys.

The Volvo XC60 Inscription epitomises our proud heritage of human-centric design. And when it comes to intelligent luxury imbued with distinctive style and fresh thinking, the XC60 Inscription is in a class of its own – just like you.

The exclusive Volvo XC60 Inscription with its subtle jewellery touches and beautifully crafted wheels expresses the essence of contemporary Swedish luxury. On the inside, you are surrounded by genuine materials and fine craftsmanship. It's a sensory experience, further enhanced by the Comfort seats in Leather, our Tailored dashboard and genuine Driftwood/Linear Lime decor – all to make the Volvo XC60 Inscription your own personal statement of dynamic luxury.



The lower door bright deco moulding with Inscription logotype.



Inscription front grille in elegant chrome finish and the signature headlights with LED illumination.



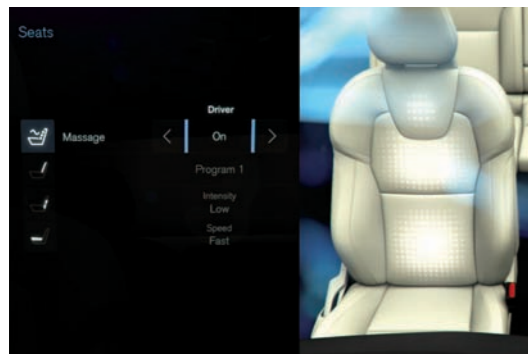
The lower outer grilles with chrome trim and optional fog lamps complement the elegant front design of your XC60 Inscription.



Dual integrated end pipes and optional bright decor trim add to an elegant and powerful impression.



The XC60 Inscription with dynamic yet elegant 48.26 cms (19 inch) Inscription 10-spoke alloy wheels in distinctive Black Diamond Cut design.



Front Massage Seats - The backrest features ten massage points, with five programs, three speeds and three intensities to choose from. Available for Comfort seats with Perforated Fine Nappa Leather upholstery.

The power-operated Comfort seats with Leather upholstery and front seat cushion extensions and the exclusive Linear Lime/Driftwood decor Driftwood genuine wood decor add to the sensory experience of contemporary luxury.



Our Tailored dashboard with contrasting stitching and genuine Driftwood/Linear Lime decor enhance the luxurious interior ambience, while the intuitive 31.24cms (12.3 inch) driver display with four graphic modes and the 22.86 cms (9 inch) centre display with touch screen puts you in the centre of action.



Select your preferred drive mode and steering characteristics with the scroll wheel in diamond patterned metal finish.



WIRELESS PHONE CHARGING
There's a space next to the gear knob where a mobile phone can be stored and wirelessly charged, helping to reduce clutter and make it easy to reach when you need it.

SWEDISH LUXURY, YOUR WAY.

The Volvo XC60 Inscription is about elegant, Swedish luxury. To make your SUV an even stronger and more personal statement, you can add our exterior styling kit. Front and rear skidplates in stainless steel combined with the integrated dual split tail pipes and body-coloured wheelarch extensions enhance your

car's exclusive and powerful presence. And adding our large 55.88 cms (22 inch) 10 open-spoke alloy wheels, you lend the elegance of your XC60 Inscription a more rugged touch – perfectly harmonising with the stainless steel design elements of the exterior styling kit.



D5 | Inscription
724 Pine Grey metallic | Exterior styling kit with stainless steel skidplates front and rear | 55.88 cms (22 inch) 10-open spoke Black Diamond Cut alloy wheels

Our new 55.88 cms (22 inch) wheels are the largest we've ever fitted to a production car and give the XC60 extra width and attitude. The front and rear skidplates with integrated double tailpipes are made of stainless steel.

FOR ALL OF LIFE'S JOURNEYS.

Create a Volvo XC60 that's perfect for your life, with Volvo accessories that are designed around you and your SUV.

Our sleek iPad® holder allows rear-seat passengers to watch, read or play during the journey. And with our Media Server, they can enjoy stored entertaining content via their mobile devices.

For children up to 10 years, our child seats combine comfort with state of the art safety and are designed to fit perfectly into your Volvo. And adding a steel grille, you create a sturdy barrier between the load and passenger compartment.

Child seat, booster cushion with backrest, Leather/Nubuck Textile.



Child seat, easy access (0-18 kg)



Red Key, restricted remote key.

iPad® holder, rear seat.



Child seat, rearward-facing.



Child seat, infant seat.

Child seat, booster seat.



Protective steel grille.



Load compartment mat, plastic.



Load carriers.

Roof box, designed by Volvo Cars.



WORKS HARDER WHEN YOU NEED IT.

To make your Volvo SUV work even harder for you, just add our load accessories. Designed to look good and work flawlessly, they will make life less complicated and help you bring the gear you need without compromising comfort, style or safety. Our lightweight, specially-designed roof box is easy to fit onto the load carriers, adding 350 litres of carrying capacity. And to really extend the load capacity of your XC60, our foldable tow bar gives you the ability to tow a trailer. When not in use, it folds discreetly away.



Mud flaps, front and rear.



Bumper cover.



Illuminated tailgate scuff plate.

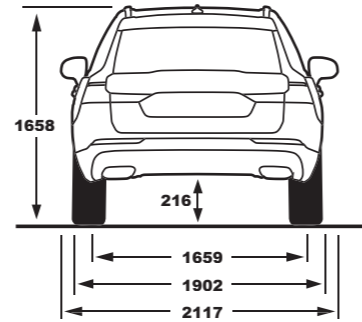
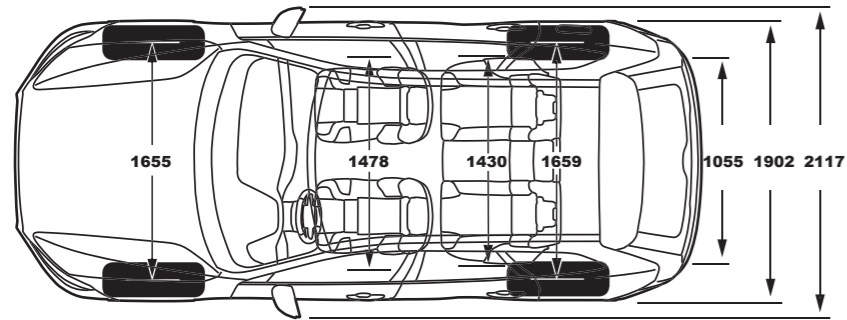
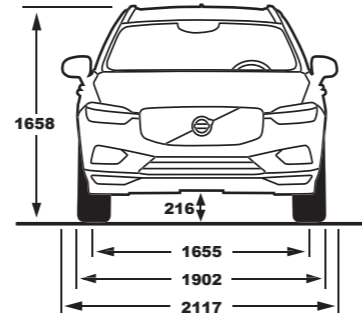
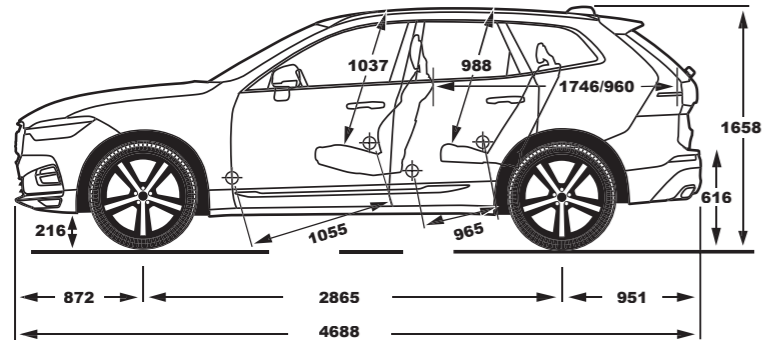


Bicycle holder.

WELCOME TO VOLVO CAR LIFESTYLE COLLECTION.

Our Lifestyle Collection includes a wide range of lifestyle accessories – from Swedish crystal and crafted leather bags, to clothing, watches and more selected items. To view the complete collection, please visit collection.volvocars.com





Please note: Some of the information in this brochure may be incorrect due to changes in product specifications that may have occurred since printing. Some of the equipment described or shown may now only be available at extra cost. Before ordering, please ask your Volvo Cars dealer for the latest information. The manufacturer reserves the right to make changes at any time and without notice to prices, colours, materials, specifications and models.



V O L V O

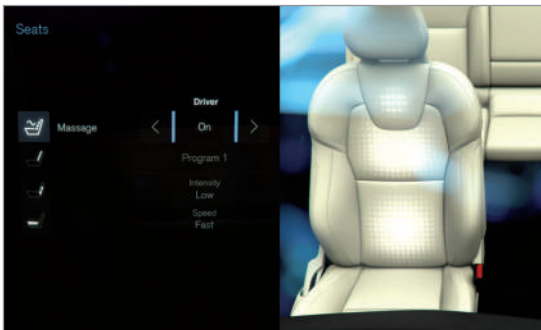
XC60 KEY FEATURES



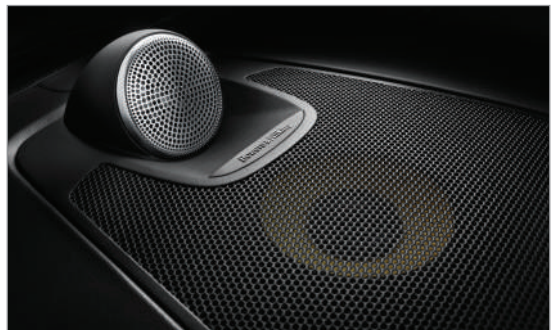
PANORAMIC SUNROOF



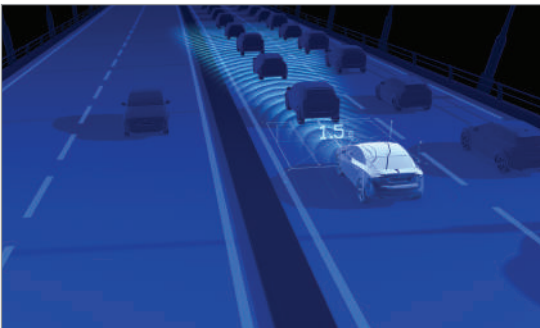
8-SPEED AUTOMATIC AWD



BACKREST MASSAGE FRONT SEATS



PREMIUM SOUND BY BOWERS & WILKINS



ADAPTIVE CRUISE CONTROL



22.86 CMS (9 INCH) TOUCHSCREEN WITH NAVIGATION



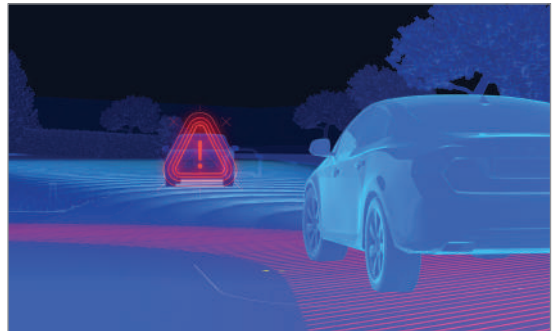
360 DEGREE CAMERA



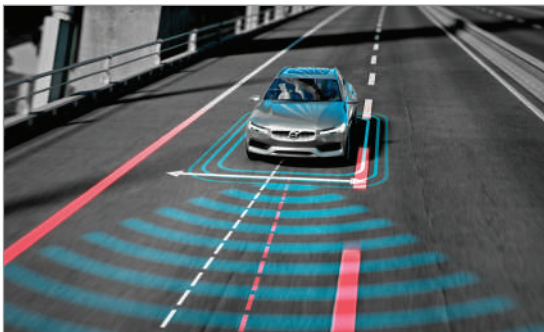
POWER/HANDSFREE-OPERATED TAILGATE



WIRELESS PHONE CHARGING



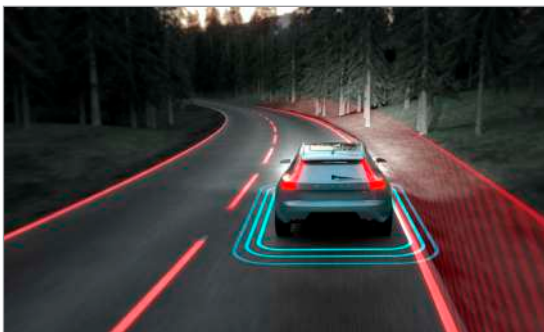
CITY SAFETY™



LANE KEEPING AID



SAFETY CAGE



RUN-OFF ROAD MITIGATION



POWER CUSHION EXTENSION

Some of the information in this leaflet may be incorrect due to changes in product specifications that may have occurred since printing. Some of the equipment described or shown may now only be available at extra cost. Before ordering, please ask your Volvo dealer for the latest information. The manufacturer reserves the right to make changes at any time and without notice to prices, colours, material, specification and models. Shot outside India with a left-hand drive car.

UPHOLSTERIES



Perforated Fine Nappa Leather, Maroon Brown in Charcoal interior with comfort seats (RC30)



Perforated Fine Nappa Leather, Amber in Charcoal interior with comfort seats (RC20)

INLAYS



Driftwood Decor Inlays



Linear lime inlays

Kindly check with your local authorised Volvo Cars dealer on the exterior colours, upholsteries and wheel options available for your car.

V O L V O

XC60 SPECIFICATION SHEET

ENGINE VARIANT	D5 INSCRIPTION
TECHNICAL DATA	
Capacity (ccm)	1969
Max output in hp	235
Max torque in Nm	480
Fuel Type	Diesel
TRANSMISSION/ENGINE	
Automatic 8-speed AWD	S
Stop/Start	S
Top Speed (km/h)	180
CLIMATE	
4-zone Electronic Climate Control incl. cooled glove box	S
CleanZone (Air Quality System)	S
Humidity sensor	S
Panoramic sunroof with power operation	S
Aquablades	S
LOCKING AND SECURITY SYSTEMS	
Interior motion sensor for Alarm	S
Inclination sensor for Alarm	S
Key remote control Inscription, leather clad	S
Keyless entry with remote tag and handsfree tailgate opening	S
Private locking	S
Power child lock, rear side doors	S
Central lock switch with diode in front and rear doors	S
Laminated side windows	S
INSTRUMENTATION	
31.24 cms (12.3 inch) Driver Display	S
SEATS	
Nappa leather upholstery	S
Ventilated front seats	S
Power adjustable driver & passenger seat with memory	S
Power adjustable lumbar support	S
Power cushion extension driver & passenger side	S
Backrest massage, heated front seats	S
Centre armrest with cupholders and storage	S
INTERIOR	
Driftwood decor inlays / Linear lime decor inlays	S
Illuminated vanity mirrors in sunvisor LH / RH side	S
Leather upgrade on dashboard	S
Leather steering wheel, 3 spoke, sport	S
Leather gear lever knob with uni deco	S
Standard pedals	S
Netpocket on tunnel	S
Automatically dimmed inner and exterior mirrors	S
Carpet kit, textile	S
Sillmoulding 'Volvo' metal	S
Interior illumination high level	S
Standard material in headlining	S
LUGGAGE COMPARTMENT	
Temporary sparewheel	S
Jack	S
Power Operated Tailgate	S
Cargo opening scuff plate - metal	S
First aid kit & warning triangle	S
12V outlet in luggage area	S
Body Cover	S

MODEL VARIANT	D5 INSCRIPTION
EXTERIOR	
Bright integrated roof rails	S
Inscription grill	S
Bright decor side windows	S
Fully colour adapted sills and bumpers with branded Inscription	S
Colour coordinated door handles with Illumination & Puddle lights	S
Dual integrated tail pipes	S
Colour coordinated rear view mirror covers	S
Retractable rear view mirrors	S
Foglights in front spoiler	S
LED With Active Bending Light	S
Headlight high pressure cleaning	S
SUPPORT SYSTEMS	
Adaptive Cruise Control	S
Pilot Assist	S
Collision Mitigation Support, front	S
Lane Keeping Aid	S
360° camera	S
Park Assist Pilot + Park Assist Front and Rear	S
Personal settings, power steering	S
Drive mode settings	S
Hill Start Assist	S
Hill Descent Control	S
Rainsensor	S
SAFETY	
Airbag, Driver & Passenger	S
SIPS airbags	S
Inflatable curtains	S
Whiplash protection, front seats	S
Pyrotechnical pretensioners, front / rear all positions	S
Cut-off Switch Passenger AirBag	S
Isofix - outer position rear seat	S
EBL, Flashing Brake Light and Hazard Warning	S
High positioned rear brake lights	S
Intelligent Driver Information System (IDIS)	S
AUDIO, NAVIGATION & TELEMATICS	
Premium Sound by Bowers and Wilkins (1100 W, 15 Speakers)	S
Remote control buttons in steering wheel	S
2 USB connections	S
Bluetooth connection	S
Wireless charging for smart phone	S
Subwoofer	S
Navigation	S
Smart phone integration with USB Hub	S
ENGINE INSTALLATION	
Fuel tank 71 litres	S
Diesel fuel pump	S
CHASSIS	
Dynamic Chassis	S
WHEELS	
48.26 cms (19 inch) - 10-spoke Black Diamond Cut Alloy Wheel	S
Tyre Pressure Monitoring System	S

VOLVO XC60

EXTERIOR COLOURS, TRIM LEVEL, UPHOLSTERIES AND ALLOY WHEELS



707 - CRYSTAL WHITE



711 - BRIGHT SILVER



714 - OSMIUM GREY



717 - ONYX BLACK



719 - LUMINOUS SAND



722 - HAVANA BROWN



723 - DENIM BLUE



724 - PINE GREY



48.26 cms (19 inch) 10-spoke
Black Diamond Cut

V O L V O