



MITSUBISHI  
MOTORS

Drive@earth

# MIRAGE



[www.new-mirage.com](http://www.new-mirage.com)



## DISCOVER MORE OF LIFE'S LITTLE JOYS

Start every day fresh with spirited styling that inspires you to explore new horizons and lively response that puts a smile on your face. You'll also enjoy the smooth, comfortable ride, exceptionally stable handling and eco-friendly performance. It's the perfect, well-mannered travel companion.

Note: Equipment may vary by market. Please consult your local Mitsubishi Motors dealer/distributor for details.

1.2-liter MIVEC GLS shown with optional equipment / Wine Red Pearl [P57]



## EXPRESS YOUR FREEDOM AND STYLE

Dynamically styled from handsome face to expressive sides and contoured tail, the streamlined body blends refinement with athletic good looks to enhance the pleasure of confident motoring.

1.2-liter MIVEC GLS shown with optional equipment / Titanium Gray Metallic [U17]

Note: Equipment may vary by market. Please consult your local Mitsubishi Motors dealer/distributor for details.



1.2-liter MIVEC GLS shown with optional equipment / Fabric seats (Black and Ivory)

## EMBRACE EVERY JOURNEY IN COMFORT

Step inside the cabin and discover refreshing driving pleasure. Comfort is enhanced by refined styling, ample spaciousness, clear visibility, high-quality amenities and a driver's seat with height adjustable seat cushion and headrest.





1.2-liter MIVEC GLS shown with optional equipment / Sunrise Orange Metallic [M09]

## EXCITE YOUR SENSES RESPONSIBLY

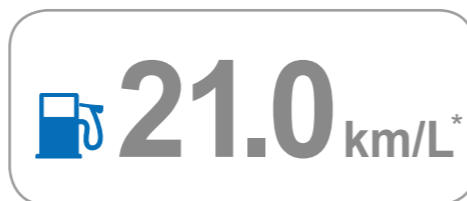
Driving becomes a joy because both spirited performance and high fuel efficiency are delivered in full. Whether commuting to work, shopping in the city or traveling through the countryside, you'll enjoy sporty handling that is exceptionally stable, quick acceleration in response to your command and agile maneuverability that makes parking and sharp turns a breeze.



### 1.2-LITER DOHC 12-VALVE MIVEC ENGINE

Relish the power of a highly responsive 1.2-liter DOHC 12-valve MIVEC\* engine that delivers an ample maximum output of 57 kW (78 PS) at 6,000 rpm and practical maximum torque of 100 N-m (10.2 kg-m) at 4,000 rpm.

\* Mitsubishi Innovative Valve timing Electronic Control system



### CLASS-LEADING FUEL EFFICIENCY

Traveling is especially affordable and eco-friendly. You'll enjoy longer drives with fewer petrol stops, thanks to class-leading fuel efficiency.

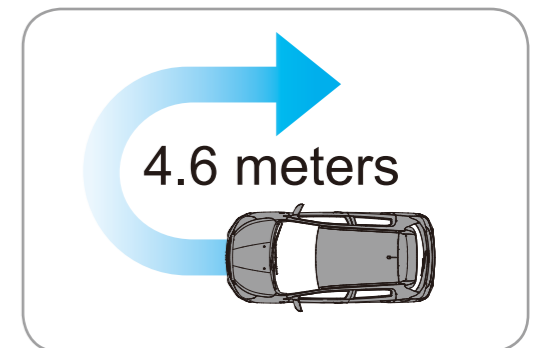
\* According to internal test results using EU Combined cycle.



### SMOOTH AERODYNAMIC DESIGN

The streamlined body smoothly slips through the wind with a class-leading drag coefficient of  $C_D=0.30^*$  that lowers wind noise and CO<sub>2</sub> emissions while raising fuel efficiency and high-speed stability.

\* According to internal test results.



### A MINIMUM TURNING RADIUS AMONG THE SMALLEST IN ITS CLASS

The tight turning radius contributes to excellent handling and makes driving easy for anyone, at any age.



### INVECS-III CVT

The INVECS-III\* CVT wide-ratio transmission maintains optimal rpm for high performance and fuel economy. You'll enjoy smooth acceleration and deceleration, as well as efficiently selected gear ratios in all driving conditions. An illuminated indicator provides easy reading at a glance and the shift knob is leather-wrapped for your pleasure.

\* Intelligent & Innovative Vehicle Electronic Control System III



### ECO MODE INDICATOR

This indicator illuminates whenever you operate the accelerator pedal in an eco-friendly way. It encourages you to develop good driving habits that lower fuel costs and contribute to a cleaner environment for everyone.



### CRUISE CONTROL

Vehicle speed is automatically maintained without keeping your foot on the accelerator pedal, allowing more relaxed driving on extended journeys. Pressing the clutch or brake pedal disengages the system.

# CONVENIENCE

## EQUIPMENT HIGHLIGHTS

The cockpit surrounds you with convenient amenities. Whether storing personal items or adjusting the temperature, music or seats, you'll find every detail is designed to enhance the user experience.



### SEMI HIGH-CONTRAST COMBINATION METER WITH CHROME SURROUNDS

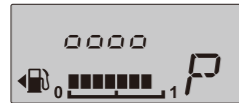
The meters are large and easy to read with continuous illumination and a silver garnish to enhance your enjoyment. Adjustable brightness contributes to easy reading at a glance in any lighting.

\* Actual appearance may vary.

### GENERAL-PURPOSE MONITOR: MULTI-INFORMATION DISPLAY



Outer temperature / Frost alert



Meter illumination control



Driving range display



Average fuel consumption



Service reminder (in distance)



### CD PLAYER WITH UNIQUE TYPE CENTER PANEL

This unique system includes a CD player and AM/FM radio.



### 1-DIN AUDIO WITH CD AND AM/FM RADIO

Mount the audio system of your choice in the center panel.



### AUDIO AND HANDS-FREE PHONE SWITCHES

Convenient controls for the audio system and Bluetooth® hands-free mobile phone system are mounted on the steering wheel for easy-to-reach access.

Note: Bluetooth is a trademark of Bluetooth SIG, Inc.



### USB PORT

Designed for easy connection with digital audio players, etc.



### DOOR MIRROR WITH SIDE TURN LAMP



### ELECTRIC ADJUSTABLE DOOR MIRRORS



TILT ADJUSTABLE STEERING COLUMN



GLOVE BOX AND TRAY



### AUTOMATIC AIR-CONDITIONING

Comfortable cabin temperatures are yours to enjoy year around.



### MANUAL AIR-CONDITIONING

Finely adjust air-conditioning with user-friendly controls.



### AUDIO SYSTEM WITH CLOCK



FOLDABLE SPLIT BACK (60:40) BENCH SEAT



LUGGAGE FLOOR BOX



CONVENIENCE HOOK



CUP HOLDERS

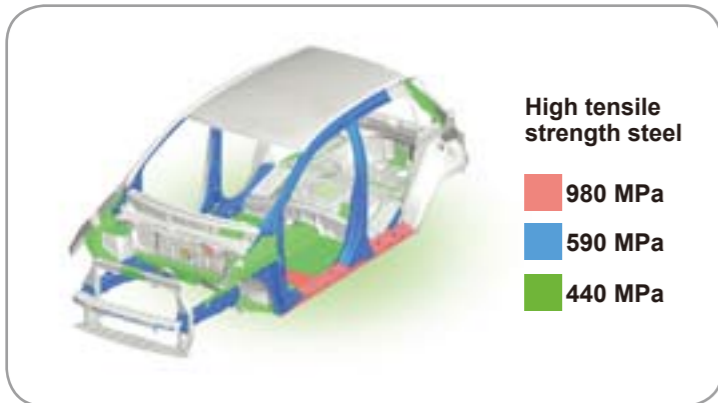


FRONT DOOR POCKET WITH BOTTLE HOLDER



1.2-liter MIVEC GLS shown with optional equipment / White Pearl [W54]

## SAFETY



High tensile strength steel

- 980 MPa
- 590 MPa
- 440 MPa

### RISE BODY

The body is extremely sturdy and lightweight, thanks to the generous use of high tensile strength steel plates that also contribute to a high level of collision safety.



### PRETENSIONERS

Pretensioners on the front seatbelts automatically tighten the belts in the event of a collision to help restrain the driver and front passenger.

(Double pretensioner optional for driver. Single pretensioner optional for front passenger.)



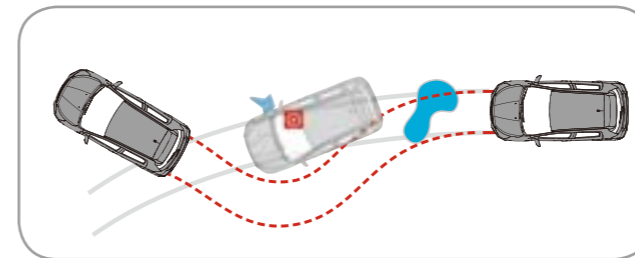
### DRIVER AND PASSENGER SRS AIRBAGS

Front SRS airbags reduce collision impact, helping to curb injuries to the driver and front passenger in the event of a collision.

(Optional for front passenger)

### STARTER INTERLOCK FOR MANUAL TRANSMISSION

To prevent intended/unintended starting of the engine in gear, which could cause sudden acceleration, the starter interlock requires the clutch pedal to be fully depressed before the engine will start.



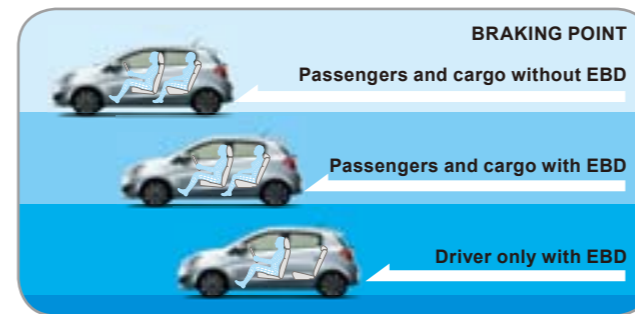
### 4ABS

The four-wheel anti-lock brake system helps prevent the wheels from locking up during emergency braking so you can maintain greater steering control, even on slippery roads.



### EXCELLENT VISIBILITY

The front pillars are refined to provide a wide field of vision that raises awareness of the road and other vehicles for enhanced driving safety.



### EBD

Electronic Brake-force Distribution distributes braking force to all four wheels to enhance braking performance.



### POWER WINDOW

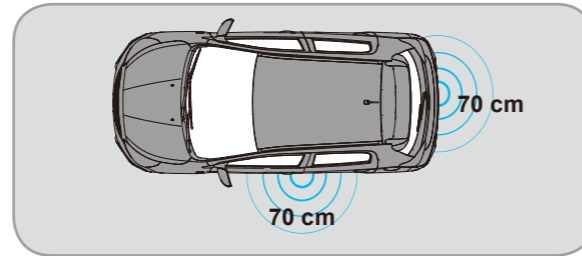
The driver's side window can be raised or lowered with a single touch and features an anti-trap mechanism for safety.



### IMMOBILIZER

The engine can only be started when a dedicated key with matching authentication code is used. This advanced security system effectively prevents vehicle theft.

# INTELLIGENCE



## KEYLESS OPERATION SYSTEM (KOS)

When carrying the key, you can lock/unlock all the side doors by simply pressing a button on the outside of the driver's door, or unlock the tailgate by pressing a button on the tailgate. Also, the engine starts/stops when you press the engine switch in the cockpit. Operation is much easier than using a conventional key.



ENGINE SWITCH



KEYLESS OPERATION KEY

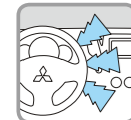


DRIVER'S SIDE DOOR LOCK AND UNLOCK BUTTON



TAILGATE DOOR LOCK AND UNLOCK BUTTON

# ETACS (Electronic Time and Alarm Control System)



## LANE CHANGE TURN SIGNAL SYSTEM

When changing lanes, you can lightly touch the turn signal lever to flash the turn signals three times. Flashing is also indicated on the instrument panel.



## AUTO DOOR RELOCK SYSTEM

Within 30 seconds of pressing the unlock button from outside the car, this system will automatically relock all the doors if none have been opened.



## POWER WINDOW TIMER

Even after shutting off the engine, the power windows can be opened or closed for 30 seconds before opening the door.



## AUTO SPEED ADJUSTABLE WIPERS

In the Timing mode, the window wipers operate normally at vehicle speeds below 60km/h and faster at higher vehicle speeds.



## HEADLAMP AUTO OFF FUNCTION

After switching off the ignition and stepping out of the car, the headlamps automatically turn off to help conserve battery power.



## AUTO REAR WIPE FUNCTION FOR REVERSE

When the rear wiper is set to the "INT" (intermittent) position, it automatically activates to improve rear visibility whenever you shift into reverse.



## OPEN DOOR ALARM

An alarm sounds automatically if you start driving while a door remains partially or fully open.



## INTERIOR LIGHT DELAY

After turning off the ignition, the interior light remains on for 15 seconds to allow scanning for possessions before exiting.

# EQUIPMENT LEVEL

## GLX



### Key features

#### Standard:

- 165/65R14 tires + 14" steel wheels with wheel center caps
- SRS airbag (driver)
- 3-point ELR seatbelts (front x 2, rear x 2) + 2-point lapbelt (rear center)
- Single pretensioner (driver)
- Halogen headlamps
- Color-keyed outer door handles and tailgate handle
- Color-keyed power door mirrors

- 3-spoke urethane steering wheel with bezel
- Combination meter
- ECO Mode Indicator
- Gear shift indicator panel with illumination and silver garnish (CVT only)
- Multi-information display
- Slide & reclining adjustable driver's seat
- Material black inner door handles
- Power windows (front doors)
- 2-DIN center panel without audio

#### Optional, shown:

- 165/65R14 tires + 14" steel wheels with full wheel covers
- SRS airbag (front passenger)
- Manual air-conditioning (3-dial type controller)

Note: For a complete list of standard and optional equipment, please refer to pages 17 and 18.

## GLS



### Key features (in addition to GLX features)

#### Standard:

- Rear intermittent wiper & washer
- Semi-high contrast combination meter with chrome surrounds
- Height adjustable driver's seat
- Convenience hook & seatback pocket for passenger's seat
- Chrome inner door handles
- Keyless entry with 1 transmitter (including central door locking system)

#### Optional, shown:

- 175/55R15 tires + 15" alloy wheels
- SRS airbag (front passenger)
- Front fog lamps
- Fabric with stitches (rear seats)
- Automatic air-conditioning (push button type controller)
- Speaker x 4 (on front & rear doors)

- AM/FM radio and CD player with unique type center panel
- Upgraded rear seat package

Note: For a complete list of standard and optional equipment, please refer to pages 17 and 18.

## EXTERIOR COLORS



WINE RED PEARL (P57)

NEW COLOR



SUNRISE ORANGE METALLIC (M09)

NEW COLOR



RED METALLIC (P19)



MEDIUM BLUE MICA (T69)



TITANIUM GRAY METALLIC (U17)



COOL SILVER METALLIC (A66)



BLACK MICA (X08)



WHITE PEARL (W54)



WHITE SOLID (W19)

## INTERIOR COLORS

### SEAT MATERIALS



Fabric (Black)



Fabric (Ivory)



Fabric with stitches

■ Standard □ Optional

Grade		GLX		GLS	
Interior trim		Black	Black	Black	Black & Ivory
Seats		Black	Black	Black with stitches	Black & Ivory with stitches
<b>Exterior Color</b>					
Wine Red Pearl	P57	■	■	□	□
Sunrise Orange Metallic	M09	■	■	□	□
Red Metallic	P19	■	■	□	□
Medium Blue Mica	T69	■	■	□	□
Titanium Gray Metallic	U17	■	■	□	□
Cool Silver Metallic	A66	■	■	□	□
Black Mica	X08	■	■	□	□
White Pearl	W54	■	■	□	□
White Solid	W19	■	■	□	□

Note: Colors shown may differ slightly from actual colors due to printing process.

Note: Equipment may vary by market. Please consult your local Mitsubishi Motors dealer/distributor for details.

## TECHNICAL SPECIFICATIONS

Model	Grade Transmission Model code	GLX		GLS	
		5MT A03AXNMHL A03AXNMHR	CVT A03AXTMHL A03AXTMHR	5MT A03AXNHHL A03AXNHHR	CVT A03AXTHHL A03AXTHHR
<b>Dimensions and Weights</b>					
Overall length	mm	3,795			
Overall width	mm	1,665			
Overall height	mm	1,510			
Wheelbase	mm	2,450			
Ground clearance	mm	160			
Curb weight (total)	kg	830	855	835	860
Gross vehicle weight (GVW)	kg	1,280	1,310	1,280	1,310
Seating capacity	persons	5			
<b>Performance</b>					
Fuel consumption*	km/liter	21.0			
Max. speed**	km/h	170	167	170	167
Acceleration (0-100 km/h)**	sec.	12.4	13.8	12.4	13.8
Min. turning radius	m	LHD model: 4.6 RHD model with 14" tires: 4.4 RHD model with 15" tires: 4.6			
<b>Engine</b>					
Type (code)		1.2-liter 12-valve 3-cylinder DOHC MIVEC (3A92)			
Total displacement	cc	1,193			
Max. output (EEC net)	kW (PS)/rpm	57 (78)/6,000			
Max. torque (EEC net)	N-m (kg-m)/rpm	100 (10.2)/4,000			
<b>Fuel System</b>					
Fuel supply system		ECI-MULTI (Electronic Controlled Injection – Multi Point Injection)			
Fuel tank capacity	liter	35			
<b>Transmission</b>					
Type		5-speed manual	INVECS-III CVT	5-speed manual	INVECS-III CVT
<b>Steering</b>					
Type		Rack and pinion with electric power assist			
<b>Suspensions</b>					
Front		MacPherson strut suspension			
Rear		Torsion beam suspension			
<b>Brakes</b>					
Front		Ventilated discs			
Rear		Leading and trailing drums			
<b>Tires</b>					
Tires (front and rear)	Standard	165/65R14			
	Option	175/55R15			
Wheels (front and rear)	Standard	14" steel with center caps		14" steel with full wheel covers	
	Option	14" steel with full wheel covers / 15" alloy wheels 14" alloy wheels (RHD model only)		15" alloy wheels 14" alloy wheels (RHD model only)	

\* According to internal test results using EU Combined cycle.

\*\* Measured by Mitsubishi Motors Corporation.

Note: These specifications are subject to change without notice. Please consult your local Mitsubishi Motors dealer/distributor for detailed specifications.

## STANDARD & OPTIONAL EQUIPMENT

■ Standard □ Optional – Not available

Model	Grade		GLX	GLS
	Engine	Transmission	1.2-liter MIVEC 5MT or CVT	
<b>Performance</b>	Engine	1.2-liter 12-valve 3-cylinder DOHC MIVEC (3A92)	■	■
	Transmission	5-speed manual transmission	■ (5MT only)	■ (5MT only)
		INVECS-III CVT (continuously variable transmission)	■ (CVT only)	■ (CVT only)
	Tires & wheels	165/65R14 tires + 14" steel wheels with wheel center caps	■	■
		165/65R14 tires + 14" steel wheels with full wheel covers	□	■
Spare tire & wheel	165/65R14 tires + 14" alloy wheels	□	□	
	175/55R15 tires + 15" alloy wheels	□ (RHD only)	□ (RHD only)	
	T115/70D14	■	■	
<b>Safety</b>	Brakes	165/65R14 tire + 14" steel wheel	□	□
		175/55R15 tire + 15" alloy wheel	□	□
	SRS airbags	PCV (pressure control valve)	■	■
		Front: Disc (ventilated) Rear: Drum (leading & trailing)	■	■
	Front seatbelts	Anti-lock Brake System (ABS) with Electronic Brake-force Distribution (EBD)	□	□
		Driver	■	■
	Rear seatbelts	Driver & front passenger	□	□
		3-point seatbelt with ELR x 2	■	■
		Single pretensioner (driver)	■	■
	Exterior lamps	Single pretensioner (driver & passenger)	□	□
		Double pretensioner (driver) & single pretensioner (passenger)	□	□
	Theft protection	3-point seatbelt with ELR x 2 + 2-point lapbelt x 1 (center)	■	■
Tailgate with high-mount stop lamp (bulb type)		■	■	
<b>Exterior</b>	Bumpers	Immobilizer	□	□
		Front and rear: color-keyed	■	■
	Headlamps	Foglamp bezel on front bumper	—	□
		Front under grille (material black)	■	■
	Fog lamps	Front under grille (chrome)	—	□
		Bi-xenon HID headlamps with manual leveling and LED position lamps	—	□
	Glass	Halogen headlamps	■	■
		Front fog lamps	—	□
	Front wipers	Laminated windshield glass	■	■
		Tempered front & rear door window glass	■	■
	Rear wiper	Tempered tailgate window glass with defogger	■	■
		Variable intermittent windshield wipers & washers	■	■
	Doors	Intermittent wiper & washer	□	■
		Color-keyed outer door handles	■	■
	Door mirrors	Black door sash	—	■
		Color-keyed power door mirrors	■	■
	Molding	Color-keyed power door mirrors with side turn lamp	□ (LHD only)	□ (LHD only)
		Color-keyed power door mirrors with side turn lamp and power folding function	□ (RHD only)	□ (RHD only)
	Tailgate	Roof molding (black)	■	■
		Color-keyed tailgate handle	■	■
Other	LED rear combination lamps	—	□	
	Roof spoiler with high-mount stop lamp (LED)	□ (LHD only)	□	
<b>Cockpit</b>	Steering & shift knob	Electric power steering	■	■
		Tilt column steering	■	■
	Instrument panel	Shift lock with key interlock	■	■
		Starter interlock	■ (CVT only)	■ (CVT only)
	Multi-information display	3-spoke urethane steering wheel with bezel	■	■
		3-spoke leather wrapped steering wheel with piano black & chrome decoration	—	□
	Seat materials	Urethane gearshift knob	■	■
		Leather wrapped gearshift knob	—	□
	Front seats	Urethane parking brake lever	■	■
		Combination meter	■	■
	Headrests	Semi-high contrast combination meter with chrome surrounds	—	■
		Tachometer	■	■
	Driver's seat	ECO Mode Indicator	■	■
		Gear shift indicator panel with illumination: silver	■ (CVT only)	■ (CVT only)
	Passenger's seat	Gear shift indicator panel with illumination: piano black	—	□ (CVT only)
Leather shift boot with chrome surrounds		—	□ (5MT only)	
Rear seats	Multi-information display Service reminder, Trip computer – driving range & average fuel consumption, illumination control, etc.	■	■	
	Fabric	■	■	
Front seats	Fabric with stitches (driver & front passenger)	—	■	
	Fabric with stitches (rear seats)	—	□	
Headrests	Separate, high back seats	■	—	
	Separate, low back seats	□	■	
Driver's seat	Slide & reclining adjuster	■	■	
	Height adjustable driver's seat	□	■	
Passenger's seat	Slide & reclining adjuster	■	■	
	Convenience hook & seatback pocket	□	■	
Rear seats	Foldable bench seat	■	■	

Note: Equipment may vary by market. Please consult your local Mitsubishi Motors dealer/distributor for details.

## STANDARD & OPTIONAL EQUIPMENT

■ Standard □ Optional – Not available

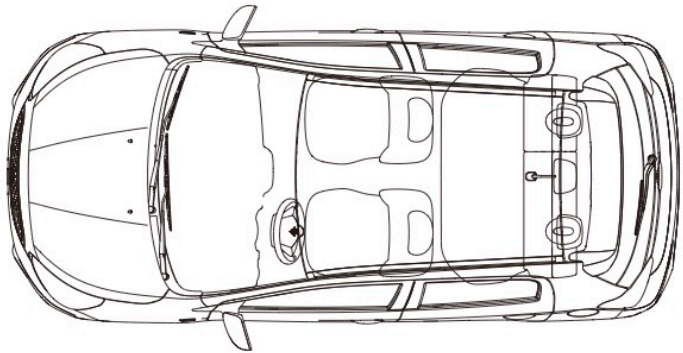
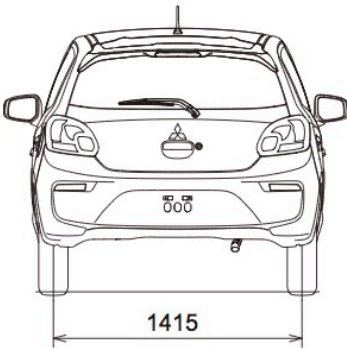
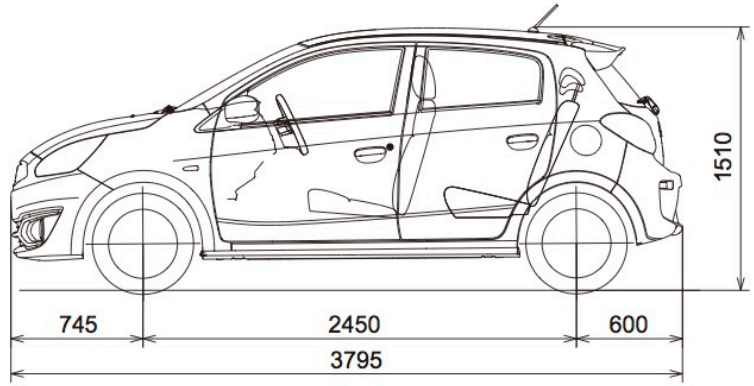
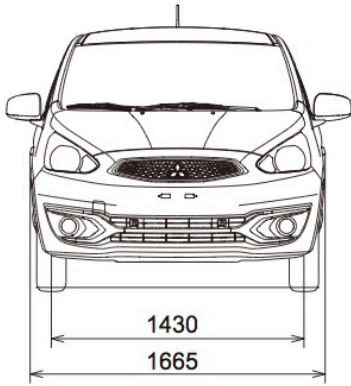
Model	Grade		GLX	GLS
	Engine	Transmission	1.2-liter MIVEC 5MT or CVT	
<b>Interior</b>	Doors	Material black inner door handles	■	—
		Chrome inner door handles	—	■
	Instrument panel	Piano black power window switch panels	—	□
		Glove box	■	■
	Instrument panel under tray	Tray on instrument panel	■	■
		Instrument panel under tray	■ (RHD only)	■ (RHD only)
	Center panel (piano black)	Center panel (piano black)	■	■
		Accessory socket on instrument panel	□	□
	Seatbelt warning indicator and buzzer (driver)	Seatbelt warning indicator and buzzer (driver)	□ (RHD only)	□ (RHD only)
		Seatbelt warning indicator and buzzer (driver and front passenger)	□ (LHD only)	□ (LHD only)
	Floor console	Front: cup holder x 2	■	■
		Rear: cup holder x 1	■	■
	Front door trim	Door pocket & bottle holder (both sides)	■	■
		Ceiling	Driver's side sunvisor with vanity mirror, lid & ticket holder	■
	Interior lamps	Passenger's side sunvisor	■	■
		Day & night rear view mirror	■	■
	Others	Front passenger's assist grip (fixed type)	■	■
		Front passenger's assist grip (retractable type)	□	□
	Rear assist grips (fixed type)	Rear assist grips (fixed type)	■	■
		Room lamp	■	■
Luggage room lamp	Luggage room lamp	□	□	
	Rear shelf board	□	□	
Luggage floor box	Luggage floor box	□	□	
	Tool set (simple set) & jack set	■	■	
Air-conditioning	Heater (3-dial type controller)	■	■	
	Cooler without defroster (3-dial type controller)	□	□	
Manual air-conditioning (3-dial type controller)	Manual air-conditioning (3-dial type controller)	□	□	
	Automatic air-conditioning (push button type controller)	—	□	
Windshield & side defroster	Windshield & side defroster	■	■	
	Air-conditioning with extra cooling capacity	□ <sup>*1</sup>	□ <sup>*1</sup>	
Air filter	Air filter	□	□	
	Keyless entry with 1 transmitter	□	■	
Keyless entry with 2 transmitters	Keyless entry with 2 transmitters	—	□	
	Keyless Operation System (KOS) with two Keyless Operation Keys and engine switch	—	□	
Central door locking system	Central door locking system	□	■	
	Child proof	■	■	
Power windows (front doors)	Power windows (front doors)	■	■	
	Front and rear power windows with auto up & down function on driver's side (anti-trapping function)	□	□	
Cruise Control	Cruise Control	□ <sup>*1</sup>	□ <sup>*1</sup>	
	Audio switches	—	□	
Audio and hands-free phone switches	Audio and hands-free phone switches	□ <sup>*1</sup>	□ <sup>*1</sup>	
	Speakers & antenna	Speaker x 2 (on front doors)	□	■
Speaker x 4 (on front & rear doors)	Speaker x 4 (on front & rear doors)	□	□	
	Roof antenna	■	■	
2-DIN center panel without audio	2-DIN center panel without audio	■	■	
	2-DIN center panel + Audio pre-kit with plug	□ (RHD only)	□ (RHD only)	
2-DIN center panel + 1-DIN AM/FM & CD player with 1-DIN box	2-DIN center panel + 1-DIN AM/FM & CD player with 1-DIN box	□	—	
	AM/FM radio and CD player with unique type center panel	□	□	
USB port (inside glove box)	USB port (inside glove box)	□ <sup>*2</sup>	□ <sup>*2</sup>	
	Bluetooth® hands-free phone system* <sup>3</sup>	□ <sup>*2</sup>	□ <sup>*2</sup>	
<b>Package Options</b>	Sport package	15" alloy wheels	■	■
		Front fog lamps	■	■
		Roof spoiler with high-mount stop lamp (LED)	■	■
		Leather wrapped gearshift knob	—	□
		3-spoke leather wrapped steering wheel with piano black & chrome decoration	—	□
	Sport package (RHD only)	Gear shift indicator panel with illumination: piano black (CVT only)	—	□
		Leather shift boot with chrome surrounds (5MT only)	—	□
		14" alloy wheels	■	■
		Front fog lamps	■	■
		Roof spoiler with high-mount stop lamp (LED)	■	■
Leather wrapped gearshift knob	Leather wrapped gearshift knob	—	□	
	3-spoke leather wrapped steering wheel with piano black & chrome decoration	—	□	
Gear shift indicator panel with illumination: piano black (CVT only)	Gear shift indicator panel with illumination: piano black (CVT only)	—	□	
	Leather shift boot with chrome surrounds (5MT only)	—	□	
Upgraded rear seat package	Foldable split back (60:40) bench seat	■	■	
	Headrest x 3	□	□	
3-point ELR seatbelt x 3	3-point ELR seatbelt x 3	□	□	
	Lower anchor and tether anchor for ISO-FIX child seat x 2	□	□	
Automatic air-conditioning package	Automatic air-conditioning (push button type controller)	—	□	
	Air filter	—	□	

\*1 For limited countries only

\*2 Must be combined with AM/FM radio and CD player with unique type center panel

\*3 Bluetooth is a trademark of Bluetooth SIG, Inc.

## DIMENSIONAL VIEWS



Note: Roof spoiler with high-mount stop lamp (LED) and upgraded rear seat package are optional.

All measurements in millimeters



MITSUBISHI MOTORS  
Official Facebook Page



[www.facebook.com/MitsubishiMotors.en](http://www.facebook.com/MitsubishiMotors.en)

 **MITSUBISHI MOTORS**  
[www.mitsubishi-motors.com](http://www.mitsubishi-motors.com)

©2016 – 2017 Mitsubishi Motors Corporation. All rights reserved.  
Ge/ME14C32Mar.16T Printed in Japan