

*Attrage*

  
MITSUBISHI  
MOTORS  
Drive your Ambition



# Everything. And a little more.



1.2-liter MIVEC GLS shown with optional equipment / White Pearl [W54]

## The compact sedan you've been waiting for

Everything you seek in a compact sedan is here in the Attrage. From outstanding fuel economy to easy maneuverability, it meets your highest expectations. But the Attrage doesn't stop there. Its surprisingly roomy interior and wide-ranging amenities reach far beyond its class to enhance driving pleasure.

The attractive exterior with bold sedan face and wide, stable rear is also aerodynamically shaped to enhance eco performance. The more you drive the Attrage, the more you appreciate the little extras that make driving a joy.



**DARK CHROME FRONT GRILLE**

Just the right touch of elegance for a class-above compact.



**FRONT FOG LAMP**

Dynamic styling with a progressive chrome bezel.



**DARK CHROME 15-INCH ALLOY WHEEL**

Refreshingly stylish wheels add an eye-catching accent.



## Pleasing refinement in every detail

Tastefully designed and smoothly sculpted, the streamlined Attrage appears eager to slice through the wind. From confident face with handsome chrome grille and appealing headlamps to sleek contoured sides with sporty wheels and taut chrome-accented rear, every detail of the Attrage conveys quality and style. It's a look that enhances the pleasure of the driving experience wherever you go.

1.2-liter MIVEC GLS shown with optional equipment / Cool Silver Metallic [A66]

Note: Equipment may vary by market. Please consult your local Mitsubishi Motors dealer/distributor for details.



1.2-liter MIVEC GLS shown with optional equipment / Suede fabric seats (Black)

# Interior

## Share the refreshing comfort

Welcome to a comfortable space with roominess among the top of its class. The simple yet stylish interior surrounds you and your passengers with quality materials, smooth flowing lines and a seamless fit and finish that conveys quality craftsmanship. Soft yet supportive seating, thoughtful amenities and attractive features like silver accents further enhance your driving pleasure. In the Attrage, traveling is always a relaxing and enjoyable experience.



### PEOPLE-CENTERED DESIGN

The Attrage puts people first. It maximizes passenger space and comfort while meeting your everyday needs with practical features. Choose from a monotone black or two-tone (black and ivory) interior color scheme, whichever suits your style.

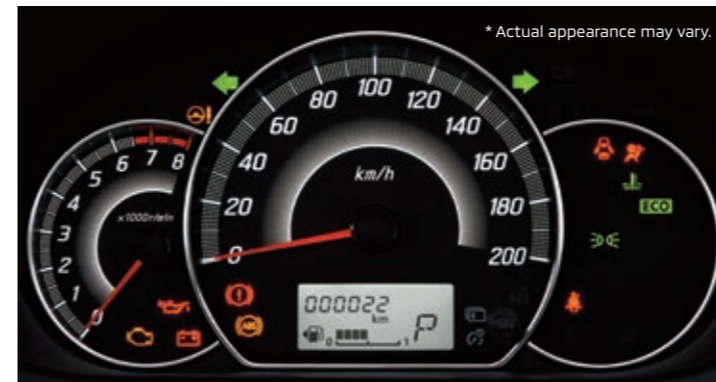
Note: Equipment may vary by market. Please consult your local Mitsubishi Motors dealer/distributor for details.

# Amenities



## LARGE TRUNK

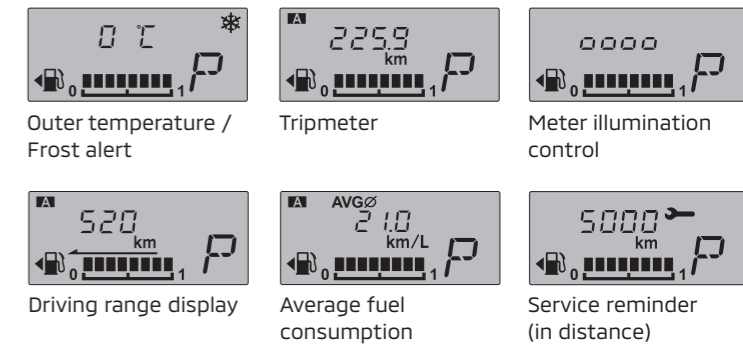
Large and easy to load, the trunk offers a generous storage capacity of 450 liters (measured by VDA method).



## SEMI HIGH-CONTRAST METER CLUSTER WITH CHROME SURROUNDS

The meters are large and easy to read with continuous illumination and a silver garnish to enhance your enjoyment. Adjustable brightness contributes to easy reading at a glance in any lighting.

## GENERAL-PURPOSE MONITOR: MULTI-INFORMATION DISPLAY



Outer temperature / Frost alert

Tripmeter

Meter illumination control

Driving range display

Average fuel consumption

Service reminder (in distance)



## REAR CUP HOLDER

This cup holder keeps large beverages within easy reach.



## SEATBACK POCKET

Place maps where you can easily find them when you need them.



## CONVENIENCE HOOK

Shopping bags stay upright when hooked to hang behind the seat.



## CD PLAYER WITH UNIQUE TYPE CENTER PANEL

This unique system includes a CD player and AM/FM radio.



## 1-DIN AUDIO WITH CD AND AM/FM RADIO

Mount the audio system of your choice in the center panel.



## AUTOMATIC AIR-CONDITIONING

Comfortable cabin temperatures are yours to enjoy year around.



## MANUAL AIR-CONDITIONING

Finely adjust air conditioning with user-friendly controls.



## TRAY AND GLOVE BOX

Items such as sunglasses are easy to find when you put them on the tray, while the glove box is better for storing bulkier items.



## FRONT DOOR POCKET WITH BOTTLE HOLDER

The perfect place to keep personal items while you drive.



## FLOOR CONSOLE CUP HOLDERS

Keep drinks within easy reach of you and the front passenger.



## POWER DOOR MIRROR

Handy controls make it easy to achieve the desired viewing angle.



## SIDE TURN LAMP ON DOOR MIRROR

By clearly signaling intentions, this enhances your driving safety.



## HEIGHT-ADJUSTABLE DRIVER'S SEAT

Adjust the height of the driver's seat to suit your preference.



## INNER DOOR HANDLE

Stylish handles give the doors an attractive silver touch.



## AUDIO AND HANDS-FREE PHONE SWITCHES

Convenient controls for the audio system and Bluetooth® hands-free mobile phone system are mounted on the steering wheel for easy-to-reach access.

Note: Bluetooth is a trademark of Bluetooth SIG, Inc.



## USB PORT

Designed for easy connection with digital audio players, etc.

# Efficiency

 **21.0** km/L\*

## CLASS-LEADING FUEL EFFICIENCY

The lightweight body and smooth aerodynamics contribute to class-leading fuel efficiency, as well as smooth and stable acceleration. Traveling is more affordable, eco-friendly and enjoyable in the Attrage.

\* Fuel consumption on 5MT model or CVT model when equipped with 4ABS. According to internal test results using EU Combined cycle.

**ECO**

## ECO MODE INDICATOR

This indicator illuminates whenever you operate the accelerator pedal in an eco-friendly way. It encourages you to develop good driving habits that lower fuel costs and contribute to a cleaner environment for everyone.



1.2-liter MIVEC GLS shown with optional equipment / Red Metallic [P19]



## 1.2-LITER DOHC 12-VALVE MIVEC ENGINE

When you demand acceleration, the Attrage responds with spirited torque and horsepower while maintaining impressive fuel economy.

## MITSUBISHI INNOVATIVE VALVE TIMING ELECTRONIC CONTROL SYSTEM [MIVEC]

Intake valve timing is continuously optimized in response to driving conditions to ensure smooth powerful response at all times.



## INVECS-III CVT

The INVECS-III\* CVT wide-ratio transmission maintains optimal rpm for high performance and fuel economy. You'll enjoy smooth acceleration and deceleration, as well as efficiently selected gear ratios in all driving conditions. An illuminated indicator provides easy reading at a glance and the shift knob is leather-wrapped for your pleasure.

\* Intelligent & Innovative Vehicle Electronic Control System III

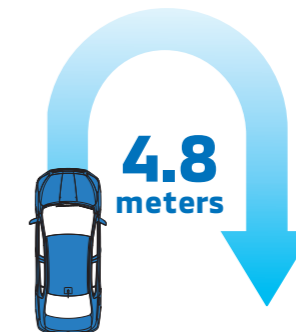


## SMOOTH AERODYNAMIC DESIGN

The body is streamlined to slip smoothly through the air. Reduced drag lowers wind noise and CO<sub>2</sub> emissions while raising fuel efficiency and high-speed stability.

## LIGHTWEIGHT BODY

The weight-optimized body is one of the lightest in its class, thanks to the ample use of high-tensile steel that also offers impressive strength and rigidity that contribute to safety and excellent handling.



## MINIMUM TURNING RADIUS

An extremely tight turning radius, one of the smallest in its class, makes the Attrage easy to maneuver through narrow city streets and crowded parking lots. Drivers of every experience level will find the Attrage simple to handle.



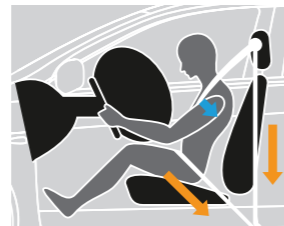
## CRUISE CONTROL

Vehicle speed is automatically maintained without keeping your foot on the accelerator pedal, allowing more relaxed driving on extended journeys. Pressing the clutch or brake pedal disengages the system.



1.2-liter MIVEC GLS shown with optional equipment / Wine Red Pearl [P57]

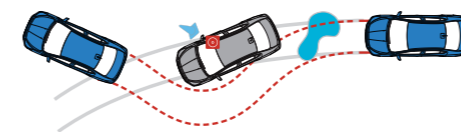
# Safety



## PRETENSIONERS

Pretensioners on the front seatbelts automatically tighten the belts in the event of a collision to help restrain the driver and front passenger.

(Double pretensioner optional for driver. Single pretensioner optional for front passenger.)



## 4ABS

The four-wheel anti-lock brake system helps prevent the wheels from locking up during emergency braking so you can maintain greater steering control, even on slippery roads.



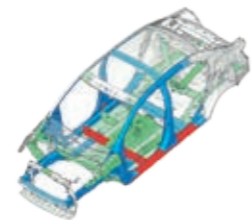
## POWER WINDOW

The driver's side window can be raised or lowered with a single touch and features an anti-trap mechanism for safety.



## DRIVER AND PASSENGER SRS AIRBAGS

In the event of a collision, front SRS airbags activate to help protect you and the front passenger by absorbing the force of impact. (Optional for front passenger)



## High tensile strength steel

- 980 MPa
- 590 MPa
- 440 MPa

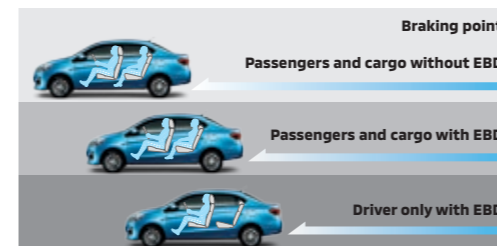
## RISE BODY

To protect you and your passengers, the Attrage features a solid Reinforced Impact Safety Evolution (RISE) body constructed of high tensile strength steel that effectively absorbs and disperses crash energy from all directions while also significantly reducing overall weight.



## LED HIGH-MOUNT STOP LAMP

An LED stop lamp is mounted in the rear window to enhance safety by clearly indicating your braking intentions to drivers behind you.



## EBD

Electronic Brake-force Distribution distributes braking force to all four wheels to enhance braking performance.



## IMMOBILIZER

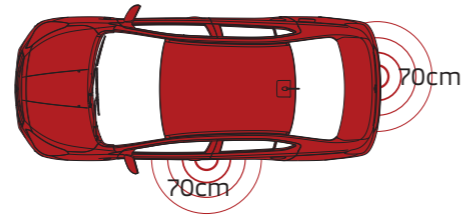
The engine can only be started when a dedicated key with matching authentication code is used. This advanced security system effectively prevents vehicle theft.

# Convenience



## KEYLESS OPERATION SYSTEM [KOS]

When carrying the key, you can press a button on the outside of the driver's side door or trunk to lock or unlock all the doors and trunk, and press the engine switch in the cockpit to start the engine.



### KEYLESS OPERATION KEY

Simply carry it with you to take advantage of KOS features.



### ENGINE SWITCH

Just press to start or stop the engine.



### DRIVER'S DOOR LOCK AND UNLOCK BUTTON

The driver's door locks or unlocks with a press when you have the Keyless Operation Key.



### TRUNK LID UNLOCK BUTTON

One press unlocks the trunk lid when you carry the keyless operation key.

## ETACS (Electronic Time and Alarm Control System)



### HEADLAMP AUTO OFF FUNCTION

After switching off the ignition and stepping out of the car, the headlights automatically turn off to help conserve battery power.



### INTERIOR LIGHT DELAY

After removing the ignition key from the cylinder, the interior light remains on for 15 seconds to allow scanning for possessions before exiting.



### POWER WINDOW TIMER

Even after shutting off the engine, the power windows can be opened or closed for 30 seconds (before opening the door).



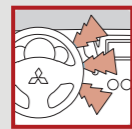
### AUTO DOOR RELOCK SYSTEM

Within 30 seconds of pressing the unlock button from outside the vehicle, this system will automatically relock all the doors if none have been opened.



### OPEN DOOR ALARM

An alarm sounds automatically if you start driving while a door remains partially or fully open.



### LANE CHANGE TURN SIGNAL SYSTEM

When changing lanes, you can lightly touch the turn signal lever to flash the turn signals three times. Flashing is also indicated on the instrument panel.



### AUTO SPEED ADJUSTABLE WIPERS

In the Timing mode, the window wipers operate normally at vehicle speeds below 60km/h and faster at higher vehicle speeds.

## GLX



### Key features

#### Standard:

- 175/65R14 tires + 14" steel wheels with wheel center caps
- Front disc brakes (ventilated) Rear drum brakes (leading & trailing)
- SRS airbag (driver)
- 3-point ELR seatbelt x 2 with single pretensioner (driver)
- Halogen headlamps
- Laminated windshield glass

- Color-keyed outer door handles
- Color-keyed power door mirrors
- Starter interlock (5MT model)
- 3-spoke urethane steering wheel
- Combination meter
- Multi-information display
- Power windows (front doors)
- 2-DIN center panel without audio

#### Optional, shown:

- 175/65R14 tires + 14" steel wheels with full wheel covers
- Manual air-conditioning (3-dial type controller)
- SRS airbag (front passenger)
- ECO Mode Indicator
- Front and rear power windows with auto up & down function on driver's side (anti-trapping function)

Note: For a complete list of standard and optional equipment, please refer to pages 17 and 18.

## GLS



### Key features (in addition to GLX features)

#### Standard:

- 175/65R14 tires + 14" steel wheels with full wheel covers
- Front grille (chrome)
- Black door sash
- Semi-high contrast combination meter with chrome surrounds
- Chrome inner door handles
- Air outlet grille with silver garnish
- Keyless entry with 1 transmitter (including center door locking system)
- Speaker x 2 (on front doors)

#### Optional, shown:

- 185/55R15 tires + 15" alloy wheels
- SRS airbag (front passenger)
- Front fog lamps
- ECO Mode Indicator
- Accessory socket on instrument panel
- Manual air-conditioning (3-dial type controller)
- Front and rear power windows with auto up & down function on driver's side (anti-trapping function)
- AM/FM radio and CD player with unique type center panel
- USB port (on floor console tray with lid)

#### Optional, shown:

- Seat materials (leather)
- SRS airbag (front passenger)
- Automatic air-conditioning (push button type controller)
- AM/FM radio and CD player with unique type center panel
- Upgraded rear seat package

Note: For a complete list of standard and optional equipment, please refer to pages 17 and 18.

## EXTERIOR COLORS



WINE RED PEARL (P57)



RED METALLIC (P19)



MEDIUM BLUE MICA (T69)



TITANIUM GRAY METALLIC (U17)



COOL SILVER METALLIC (A66)



WHITE PEARL (W54)



BLACK MICA (X08)

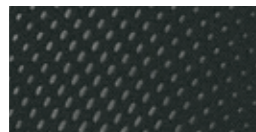


WHITE SOLID (W19)

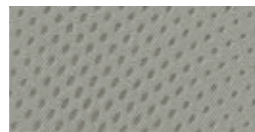
## INTERIOR COLORS

### SEAT MATERIALS

#### GLX

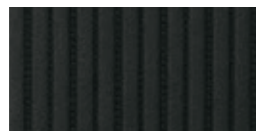


Embossed fabric (Black)



Embossed fabric (Ivory)

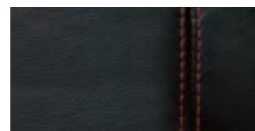
#### GLS



Suede fabric (Black)



Suede fabric (Ivory)



Leather (Black)



Leather (Ivory)

■ Standard □ Optional

| Grade                  |     | GLX   |               | GLS    |               |         |         |
|------------------------|-----|-------|---------------|--------|---------------|---------|---------|
|                        |     | Black | Black & Ivory | Black  | Black & Ivory | Black   | Ivory   |
| Interior trim          |     | Black | Black & Ivory | Black  | Black & Ivory | Black   | Ivory   |
| Seats                  |     | Black | Ivory         | Fabric |               | Leather |         |
|                        |     |       |               | Fabric | Leather       | Fabric  | Leather |
| Exterior Color         |     |       |               |        |               |         |         |
| Wine Red Pearl         | P57 | ■     | ■             | ■      | □             | ■       | □       |
| Red Metallic           | P19 | ■     | ■             | ■      | □             | ■       | □       |
| Medium Blue Mica       | T69 | ■     | ■             | ■      | □             | ■       | □       |
| Titanium Gray Metallic | U17 | ■     | ■             | ■      | □             | ■       | □       |
| Cool Silver Metallic   | A66 | ■     | ■             | ■      | □             | ■       | □       |
| White Pearl            | W54 | ■     | ■             | ■      | □             | ■       | □       |
| Black Mica             | X08 | ■     | ■             | ■      | □             | ■       | □       |
| White Solid            | W19 | ■     | ■             | ■      | □             | ■       | □       |

Note: Colors shown may differ slightly from actual colors due to printing process.

## TECHNICAL SPECIFICATIONS

| Model                         | Grade<br>Transmission<br>Model code | GLX   |                                     | GLS  |                                     |
|-------------------------------|-------------------------------------|---|-------------------------------------|--|-------------------------------------|
|                               |                                     | SMT<br>A13ASNHL<br>A13ASNHR   | CVT<br>A13ASTMHL<br>A13ASTMHR       | SMT<br>A13ASNHL<br>A13ASNHR                          | CVT<br>A13ASTHHL<br>A13ASTHHR       |
| <b>Dimensions and Weights</b> |                                     |   |                                     |  |                                     |
| Overall length                | mm                                  | 4,245   |                                     |  |                                     |
| Overall width                 | mm                                  | 1,670   |                                     |  |                                     |
| Overall height                | mm                                  | 1,515   |                                     |  |                                     |
| Wheelbase                     | mm                                  | 2,550   |                                     |  |                                     |
| Ground clearance              | mm                                  | 170   |                                     |  |                                     |
| Curb weight (total)           | kg                                  | 870   | 900                                 | 875  | 905                                 |
| Gross vehicle weight (GVW)    | kg                                  | 1,305   | 1,360                               | 1,305  | 1,360                               |
| Seating capacity              | persons                             | 5   |                                     |  |                                     |
| <b>Performance</b>            |                                     |   |                                     |  |                                     |
| Fuel consumption*             | km/liter                            | 21.0  | With ABS: 21.0<br>Without ABS: 20.0 | 21.0   | With ABS: 21.0<br>Without ABS: 20.0 |
| Max. speed**                  | km/h                                | 172   | 170                                 | 172  | 170                                 |
| Acceleration (0-100 km/h)**   | sec.                                | 12.8  | 14.0                                | 12.8   | 14.0                                |
| Min. turning radius           | m                                   | 4.8   |                                     |  |                                     |
| <b>Engine</b>                 |                                     |   |                                     |  |                                     |
| Type (code)                   |                                     | 1.2-liter 12-valve 3-cylinder DOHC MIVEC (3A92)                                   |                                     |  |                                     |
| Total displacement            | cc                                  | 1,193   |                                     |  |                                     |
| Max. output (EEC net)         | kW (PS)/rpm                         | 57 (78)/6,000   |                                     |  |                                     |
| Max. torque (EEC net)         | N-m (kg-m)/rpm                      | 100 (10.2)/4,000  |                                     |  |                                     |
| <b>Fuel System</b>            |                                     |   |                                     |  |                                     |
| Fuel supply system            |                                     | ECI-MULTI (Electronic Controlled Injection – Multi Point Injection)               |                                     |  |                                     |
| Fuel tank capacity            | liter                               | 42  |                                     |  |                                     |
| <b>Transmission</b>           |                                     |   |                                     |  |                                     |
| Type                          |                                     | 5-speed manual  | INVECS-III CVT                      | 5-speed manual                                       | INVECS-III CVT                      |
| <b>Steering</b>               |                                     |   |                                     |  |                                     |
| Type                          |                                     | Rack and pinion with electric power assist  |                                     |  |                                     |
| <b>Suspensions</b>            |                                     |   |                                     |  |                                     |
| Front                         |                                     | MacPherson strut  |                                     |  |                                     |
| Rear                          |                                     | Torsion beam  |                                     |  |                                     |
| <b>Brakes</b>                 |                                     |   |                                     |  |                                     |
| Front                         |                                     | Ventilated discs  |                                     |  |                                     |
| Rear                          |                                     | Leading and trailing drums  |                                     |  |                                     |
| <b>Tires</b>                  |                                     |   |                                     |  |                                     |
| Tires (front and rear)        | Standard<br>Option                  | 175/65R14<br>185/55R15  |                                     | 14" steel with full wheel covers<br>15" alloy wheels |                                     |
| Wheels (front and rear)       | Standard<br>Option                  | 14" steel with center caps<br>14" steel with full wheel covers / 15" alloy wheels |                                     | 14" steel with full wheel covers<br>15" alloy wheels |                                     |

\* According to internal test results using EU Combined cycle.

\*\* Measured by MITSUBISHI MOTORS CORPORATION.

Note: These specifications are subject to change without notice. Please consult your local Mitsubishi Motors dealer/distributor for detailed specifications.

## STANDARD & OPTIONAL EQUIPMENT

■ Standard □ Optional - Not available

| Model  | Grade  | Engine  | 1.2-liter MIVEC          |                 |   |
|--|--|---|--------------------------|-----------------|---|
|  |  |   | GLX                      | GLS             |   |
|  |  | Transmission  | SMT or CVT               |                 |   |
| Performance                                      | Engine   | 1.2-liter 12-valve 3-cylinder DOHC MIVEC (3A92)                             | ■                        | ■               |   |
|  | Transmission   | 5-speed manual transmission   | ■<br>(SMT only)          | ■<br>(SMT only) |   |
|  |  | INVECS-III CVT (continuously variable transmission)                         | ■<br>(CVT only)          | ■<br>(CVT only) |   |
|  | Suspensions  | High ground clearance type  |                          | ■               | ■ |
|  |  | Front: MacPherson strut with coil spring                                    |                          | ■               | ■ |
|  |  | Front: with stabilizer  |                          | □               | □ |
|  |  | Rear: Torsion beam  |                          | ■               | ■ |
|  | Tires & wheels   | 175/65R14 tires + 14" steel wheels with wheel center caps                   |                          | ■               | - |
|  |  | 175/65R14 tires + 14" steel wheels with full wheel covers                   |                          | □               | ■ |
|  |  | 185/55R15 tires + 15" alloy wheels  |                          | □               | □ |
| 185/55R15 tires + 15" alloy wheels (dark chrome) |  |   | -                        | □               |   |
| 185/55R15 tires + 15" alloy wheels (black)       |  |   | -                        | □               |   |
| Spare tire & wheel                               | T115/70D14   |   | ■                        | ■               |   |
|  | 175/65R14 tire + 14" steel wheel   |   | □                        | □               |   |
|  | 185/55R15 tire + 15" alloy wheel   |   | □                        | □               |   |
| Safety   | Brakes   | PCV (pressure control valve)  | ■                        | ■               |   |
|  |  | Front: Disc (ventilated) Rear: Drum (leading & trailing)                    | ■                        | ■               |   |
|  |  | Anti-lock Brake System [ABS] with Electronic Brake-force Distribution [EBD] | □                        | □               |   |
|  | SRS airbags  | Driver  | ■                        | ■               |   |
|  |  | Driver & front passenger  | □                        | □               |   |
|  | Front seatbelts  | 3-point seatbelt with ELR x 2   | ■                        | ■               |   |
|  |  | Single pretensioner (driver)  | ■                        | ■               |   |
|  |  | Single pretensioner (driver & passenger)                                    | □                        | □               |   |
|  |  | Double pretensioner (driver) & single pretensioner (passenger)              | □                        | □               |   |
|  | Rear seatbelts   | 3-point ELR seatbelt x 2 + 2-point lapbelt x 1 (center)                     | ■                        | ■               |   |
| Exterior lamps                                   | High-mount stop lamp on rear shelf (LED)   | ■   | ■                        |                 |   |
| Theft protection                                 | Immobilizer  | □   | □                        |                 |   |
| Exterior   | Bumpers  | Front and rear: color-keyed   | ■                        | ■               |   |
|  |  | Front: with chrome fog lamp bezel   | -                        | □               |   |
|  | Front grille   | Black   | ■                        | -               |   |
|  |  | Chrome  | □                        | ■               |   |
|  |  | Dark chrome   | -                        | □               |   |
|  |  | Honeycomb design  | □<br>(Excluding RHD 5MT) | □               |   |
|  | Headlamps  | Halogen headlamps   | ■                        | ■               |   |
|  | Fog lamps  | Front fog lamps   | -                        | □               |   |
|  | Glass  | Laminated windshield glass  | ■                        | ■               |   |
|  |  | Tempered front & rear door window glass                                     | ■                        | ■               |   |
| Tempered rear window glass with defogger         |  | ■   | ■                        |                 |   |
|  | Privacy glass (rear door, rear window)   | □*1<br>(LHD only)   | □*1<br>(LHD only)        |                 |   |
| Front wipers                                     | Variable intermittent windshield wipers & washers  | ■   | ■                        |                 |   |
| Doors  | Color-keyed outer door handles   | ■   | ■                        |                 |   |
|  | Black door sash  | -   | ■                        |                 |   |
| Door mirrors                                     | Color-keyed power door mirrors   | ■   | ■                        |                 |   |
|  | Color-keyed power door mirrors with side turn lamp   | □<br>(LHD only)   | □<br>(LHD only)          |                 |   |
|  | Color-keyed power door mirrors with side turn lamp and power folding function                          | □*1<br>(RHD only)   | □*1<br>(RHD only)        |                 |   |
| Molding  | Roof molding (black)   | ■   | ■                        |                 |   |
|  | License plate garnish (chrome)   | ■   | ■                        |                 |   |
|  | License plate garnish (dark chrome)  | -   | □                        |                 |   |
|  | Side sill garnish  | -   | □                        |                 |   |
| Cockpit  | Other  | Tailpipe (single)   | ■                        | ■               |   |
|  |  | Electric power steering   | ■                        | ■               |   |
|  | Steering & shift knob  | Tilt column steering  | ■                        | ■               |   |
|  |  | Shift lock with key interlock   | ■<br>(CVT only)          | ■<br>(CVT only) |   |
|  |  | Starter interlock   | ■<br>(SMT only)          | ■<br>(SMT only) |   |
|  |  | 3-spoke urethane steering wheel with silver bezel                           | ■                        | ■               |   |
|  |  | 3-spoke leather wrapped steering wheel with piano black & chrome decoration | -                        | □               |   |
|  |  | Urethane gearshift knob   | ■                        | ■               |   |
|  |  | Leather wrapped gearshift knob  | -                        | □               |   |
|  |  | Urethane parking brake lever  | ■                        | ■               |   |
| Instrument panel                                 | Combination meter  | ■   | -                        |                 |   |
|  | Semi-high contrast combination meter with chrome surrounds   | -   | ■                        |                 |   |
|  | Tachometer   | ■   | ■                        |                 |   |
|  | ECO Mode Indicator   | □   | □                        |                 |   |
|  | Gear shift indicator panel with illumination: silver   | ■<br>(CVT only)   | ■<br>(CVT only)          |                 |   |
|  | Gear shift indicator panel with illumination: piano black  | -   | □<br>(CVT only)          |                 |   |
|  | Shift panel with silver garnish  | -   | □<br>(SMT only)          |                 |   |
| Multi-information display                        | Service reminder, Trip computer - driving range & average fuel consumption, illumination control, etc. | ■   | ■                        |                 |   |

## STANDARD & OPTIONAL EQUIPMENT

■ Standard □ Optional - Not available

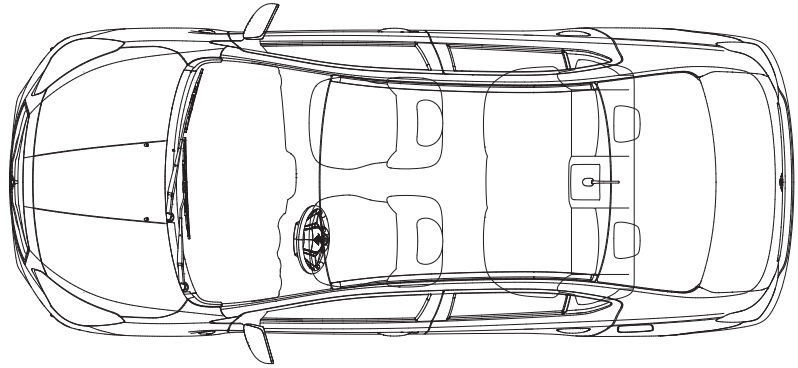
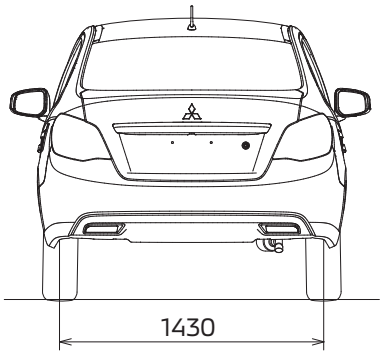
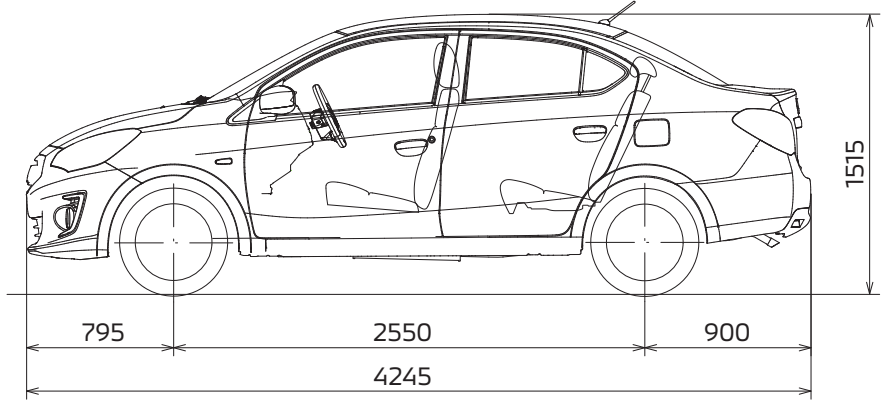
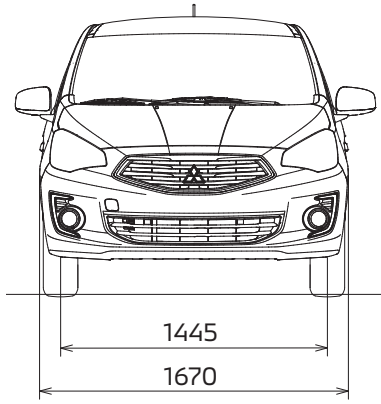
| Model                   | Grade   | Engine   | 1.2-liter MIVEC     |                     |
|-------------------------|---|--|---------------------|---------------------|
|                         |   |  | GLX                 | GLS                 |
|                         |   | Transmission   | SMT or CVT          |                     |
| Seats                   | Seat materials  | Fabric   | ■                   | ■                   |
|                         |   | Leather  | -                   | □                   |
|                         | Front seats   | Separate, low back seats   | ■                   | ■                   |
|                         |   | Driver's seat armrest with convenience hook & seatback pocket                    | □<br>(RHD CVT only) | □<br>(RHD CVT only) |
|                         | Headrests   | Driver and passenger   | ■                   | ■                   |
|                         |   | Rear x 2   | -                   | ■                   |
|                         | Driver's seat   | Slide & reclining adjuster   | ■                   | ■                   |
|                         |   | Height adjustable driver's seat  | □                   | ■                   |
|                         | Passenger's seat  | Slide & reclining adjuster   | ■                   | ■                   |
|                         |   | Convenience hook & seatback pocket   | ■                   | ■                   |
| Rear seats              | Bench seat  | ■  | ■                   |                     |
|                         | Center armrest with cup holder  | □  | ■                   |                     |
| Interior                | Doors   | Material black inner door handles  | ■                   | -                   |
|                         |   | Chrome inner door handles  | -                   | ■                   |
|                         | Instrument panel  | Piano black power window switch panels   | -                   | □                   |
|                         |   | Glove box  | ■                   | ■                   |
|                         |   | Tray on instrument panel   | ■                   | ■                   |
|                         |   | Instrument panel under tray  | ■<br>(RHD only)     | ■<br>(RHD only)     |
|                         |   | Cigarette lighter on instrument panel  | □*1<br>(LHD only)   | □*1<br>(LHD only)   |
|                         |   | Center panel (piano black)   | -                   | -                   |
|                         |   | Center panel with silver garnish (piano black)                                   | -                   | ■                   |
|                         |   | Air outlet grille  | ■                   | -                   |
|                         | Air outlet grille with silver garnish   | -  | ■                   |                     |
|                         | Accessory socket on instrument panel  | □  | □                   |                     |
|                         | Seatbelt warning lamp and buzzer (driver)   | □<br>(RHD only)  | □<br>(RHD only)     |                     |
| Floor console           | Front: cup holder x 2   | ■  | ■                   |                     |
|                         | Rear: cup holder x 1  | ■  | ■                   |                     |
|                         | Ashtray   | □<br>(LHD only)  | □<br>(LHD only)     |                     |
| Front door trim         | Door pocket & bottle holder (both sides)  | ■  | ■                   |                     |
| Ceiling                 | Non-woven fabric headlining   | ■  | ■                   |                     |
|                         | Driver's side sunvisor with vanity mirror, lid & ticket holder                                      | ■  | ■                   |                     |
|                         | Passenger's side sunvisor   | ■  | ■                   |                     |
|                         | Passenger's side sunvisor with vanity mirror, lid & ticket holder                                   | □<br>(LHD only)  | □                   |                     |
| Interior lamps          | Day & night rear view mirror  | ■  | ■                   |                     |
|                         | Assist grips (retractable type)   | ■  | ■                   |                     |
| Others                  | Room lamp   | ■  | ■                   |                     |
|                         | Trunk room lamp   | ■  | ■                   |                     |
|                         | Trunk room floor board  | ■  | ■                   |                     |
|                         | Tool set & jack set   | ■  | ■                   |                     |
| Comfort and Convenience | Air-conditioning  | Heater (3-dial type controller)  | ■                   | ■                   |
|                         |   | Windshield & side defroster  | ■                   | ■                   |
|                         |   | Cooler without defroster (3-dial type controller)                                | □                   | □                   |
|                         |   | Manual air-conditioning (3-dial type controller)                                 | □                   | □                   |
|                         |   | Automatic air-conditioning (push button type controller)                         | -                   | □                   |
|                         |   | Air-conditioning with extra cooling capacity                                     | □*1<br>(LHD only)   | □*1<br>(LHD only)   |
|                         |   | Air filter   | □                   | □                   |
|                         | Locking system  | Keyless entry with 1 transmitter   | □                   | ■                   |
|                         |   | Keyless entry with 2 transmitters  | -                   | □                   |
|                         |   | Keyless Operation System [KOS] with two Keyless Operation Keys and engine switch | □                   | ■                   |
|                         | Central door locking system   | ■  | ■                   |                     |
| Doors                   | Child proof   | ■  | ■                   |                     |
|                         | Power windows (front doors)   | ■  | ■                   |                     |
| Steering switch         | Front and rear power windows with auto up & down function on driver's side (anti-trapping function) | □  | □                   |                     |
|                         | Cruise control  | □  | □                   |                     |
|                         | Audio switch  | -  | □                   |                     |
|                         | Audio and hands-free phone switches   | □*1  | □*1                 |                     |
| Audio and Media         | Speakers & antenna  | Speaker x 2 (on front doors)   | □                   | ■                   |
|                         |   | Speaker x 4 (on front & rear doors)  | -                   | □                   |
|                         | Audio system (& center panel)   | Roof antenna   | ■                   | ■                   |
|                         |   | 2-DIN center panel without audio (with harness for 2 speakers)                   | ■                   | ■                   |
|                         | 2-DIN center panel without audio (with harness for 4 speakers)                                      | -  | □                   |                     |
|                         | 2-DIN center panel + 1-DIN AM/FM & CD player with 1-DIN box   | □  | -                   |                     |
|                         | AM/FM radio and CD player with unique type center panel   | □  | □                   |                     |
|                         | USB port (on floor console tray with lid)   | □*2  | □*2                 |                     |
|                         | Bluetooth® hands-free phone system*3  | □*2  | □*2                 |                     |
| Package Options         | Sport package   | Front fog lamps  | -                   | □                   |
|                         |   | 3-spoke leather wrapped steering wheel and shift knob                            | -                   | □                   |
|                         | Upgraded rear seat package  | Center armrest with cup holder   | □                   | □                   |
|                         | Headrest x 3  | □  | □                   |                     |
|                         | 3-point ELR seatbelt x 3  | □  | □                   |                     |
|                         | Lower anchor and tether anchor for ISO-FIX child seat x 2   | □  | □                   |                     |

\*1 For limited countries only

\*2 Must be combined with AM/FM radio and CD player with unique type center panel

\*3 Bluetooth is a trademark of Bluetooth SIG, Inc.

## DIMENSIONAL VIEWS



All measurements in millimeters



[www.facebook.com/MitsubishiMotors.en](http://www.facebook.com/MitsubishiMotors.en)



[www.instagram.com/mitsubishimotorsofficial](http://www.instagram.com/mitsubishimotorsofficial)



[www.youtube.com/user/MitsubishiMotorsAd](http://www.youtube.com/user/MitsubishiMotorsAd)

 **MITSUBISHI MOTORS**

[www.mitsubishi-motors.com](http://www.mitsubishi-motors.com)

© 2017 - 2018 MITSUBISHI MOTORS CORPORATION. All rights reserved.  
Ge/AE16C33Dec.18EG Printed in Japan



The paper used in this catalogue has been certified by the FSC™ (Forest Stewardship Council™) as having been produced through a 'chain of custody' system of forestry management, tracking and production oversight that ensures responsible consideration for the earth's ecosystem. Mitsubishi Motors has adopted the CO<sub>2</sub> emissions and promote more efficient use of natural resources. In this way, we hope to contribute to greater protection of the environment.