



A6



The new Audi A6 .



Turn time into
possibilities.

Time is a constant of life. Our goal for the new Audi A6 is to enhance time and tailor it to the challenges of life today. That's why we offer the new Audi A6 with groundbreaking technology – from smart assistance systems to an innovative display and operating concept. You choose the focus. Experience a more comfortable and relaxed drive. And open up possibilities for the things that really matter.



Design
that makes time stop.



The striking design of the Audi A6 Sedan not only catches the eye, but also stops time in its tracks. Its powerful stance and upright Singleframe serve to highlight its athletic width. A low centre of gravity and the striking quattro architecture at the wheel arches prove that the Audi A6 Sedan has the genes of a timeless legend.

Enjoy the moment.
No matter where you are.



Calmly anticipate the surprises of everyday life: with the driver assistance systems in the Audi A6 Sedan. No matter whether it's about collision warning in complex traffic situations, or active accident prevention – optional assistance systems like crossing assist and swerve assist will give you all the active support you need. That way, you can enjoy greater control and a more relaxed drive.



Noticeably more possibilities.

More functions, fewer buttons: the MMI navigation plus with MMI touch response allows you to control many features of your Audi A6 intuitively via a high-resolution 10.1-inch HD touch display. As easy to operate as your smartphone, with haptic feedback confirming each selection, you can safely use the system even while driving.



01 21-inch forged aluminium wheels in 10-Y-spoke design

02 LED rear light with dynamic light presentation and dynamic indicator



Optional panoramic glass sunroof – for an interior flooded with light and improved interior climate, including electrically operated lightproof sunblinds.



01



02

Make time for yourself.



Return to yourself. Just like the new Audi A6. Impressive design that recalls Audi quattro architecture, recognisable by the deep, sporty shoulder line and the flared wheel arches. The upright and wide Singleframe gives the new Audi A6 the progressive dynamics quintessential of an Audi.





The quattro architecture above the wheel arches gives the side of the new Audi A6 Sedan the look of flexing its muscles. The sporty roof line accentuates the coupé-like silhouette.





This is where you make up time .

Tailor your driving time to your expectations. With the Audi MMI navigation plus, you can choose what driving information is displayed on the high-resolution 10.1-inch HD touch display or in the 12.3-inch HD Audi virtual cockpit. Haptic feedback on the touchscreens confirms each selection and gives you a quick and intuitive way of operating all functions. A faster way to reach your destination – or perhaps discover something even better. You choose how to spend your time.

Change the times.
And the possibilities.

The new Audi A6 offers you more while using less. Thanks to the more powerful 48V* electrical system, more braking energy is stored through recuperation than in vehicles that don't feature hybrid drive systems. Thanks to the belt alternator starter, this energy can supplement that of the combustion engine - for example when the vehicle is started or by electrically releasing additional torque.



*The A6 2.0 mild hybrid system uses a 12V electrical system.



Audi intelligent technologies.
Using more moments.

The new Audi A6 – an exceptional vehicle whose diverse range of outstanding equipment will impress you. Numerous innovations, comfort and convenience features and assistance systems make each journey special.

The next step towards realising our vision of piloted driving. In the new Audi A6, you can experience the mobility of the future today. With the option of advanced assistance systems and helpful automated driving functions. For even more convenience and that fascinating feeling of having been transported to the future.

Audi intelligent technologies



Cross traffic assist¹

Self-assured into the unknown: cross traffic assist rear can warn occupants about a potential collision with approaching cross traffic when reversing at speeds of up to 10 km/h. Within system limits, the system uses radar sensors to monitor vehicles to the rear and side when exiting a parking space.



Exit warning¹

Multiple sensors see more than two eyes: exit warning alerts occupants when opening a door while the vehicle is stationary of a possible collision with traffic approaching from the rear. Within system limits, the system uses the radar sensors to monitor vehicles to the rear and side.



¹Please note that the systems assist the driver only within the relevant system limits. The driver remains responsible for driving the vehicle and is required to be attentive at all times.

More exceptional.
With A6 design and Audi design selection.

01



01 A6 design — cast aluminium wheels in multi-spoke design (illustrated here: cast aluminium wheels in 5-V-spoke design, contrasting grey, partly polished) — diffuser insert in titanium black, matt, diffuser clip and tailpipe look in chrome — chrome inserts in the door handles — side air inlet grilles in matt black with inserts in chrome

02 Audi design selection — interior elements in artificial leather, armrests in pearl beige with contrasting stitching in agate grey, door rail in granite grey with contrasting stitching in rock grey, centre console — inlays in fine grain birch natural agate grey

03 Audi design selection — illuminated door sill trims with aluminium inlays, front and rear

04 Audi design selection — customised contour seats, front with seat ventilation and seat upholstery in perforated Valcona leather, pearl beige with contrasting stitching and piping in agate grey

The A6 design line allows you to create striking accents that reflect your personality. Make an exceptional vehicle even more exceptional. This can be stylishly achieved with the Audi design selection, which offers an attractive range of special materials and colours for the interior. High-quality inlays in conjunction with fine leather upholstery and trim and attractive contrasting stitching lend the interior an exclusive ambience.



02



03



04



01



02



03

More sportiness. With A6 sport
and the S line sport package.



04

01 A6 sport — forged aluminium wheels in 10-Y-spoke design

02 A6 sport — side air inlet grilles in matt black with inserts in aluminium silver, matt

03 A6 sport — diffuser insert in titanium black, matt, diffuser clip and tailpipe look in chrome

04 S line sport package — S line seat upholstery in sequence cloth/leather combination with S embossing on the front-seat backrests — interior, dashboard and headlining in black — sport leather steering wheel with multifunction and shift paddles, black, with contrasting stitching — steering wheel grips with S emblem, steering wheel grips in perforated leather — inlays in matt brushed aluminium dark — footrest and pedals in stainless steel

The A6 sport equipment version lets you show your sporty side — all along the line. With details that impressively emphasise the character of your Audi A6 and, at the very first glance, leave you in no doubt of its powerful performance. The S line sport package offers even more highlights that further enhance the vehicle's sporty character.



01

More striking. With the S line exterior package.

Don't just emphasise the sporty character of your Audi A6 — enhance it. With the optional S line exterior package, you can accentuate the dynamic body line of your car even further and create special accents with exceptional design details.

01 S line exterior package — features include side sill trims/door trim strips painted in body colour — S line-specific side air inlet grilles in titanium black, matt with inserts in platinum grey — S line emblem on the front wings

02 S-specific bumpers, front and rear, with S line-specific inserts (honeycomb structure)

03 illuminated door sill trims with aluminium inlays, front and rear, front with S logo

04 S line-specific diffuser insert and grille in titanium black, matt



02



03



04

Powerful look.

Select the paint colour that best suits your personality. Secure in the knowledge that the quality will be superb, because your vehicle is painted not just once, but four times. So not only do you look radiant in your Audi, your car is also protected from environmental influences and wear. Ensuring that the car maintains its powerful look throughout its entire lifetime.



04

05

06

03

02

01

- 01 Firmament blue, metallic
- 02 Typhoon grey, metallic
- 03 Vesuvius grey, metallic
- 04 Soho brown, metallic
- 05 Glacier white, metallic
- 06 Tango red, metallic

Powerful presence.

With Audi wheels, you can emphasise your own individual style and the character of your Audi A6. Why not indulge yourself and create a powerful presence with your favourite design. And for peace of mind when out on the road: Audi wheels are subjected to special test procedures, undergo rigorous testing and are of superb quality.

- 01 18-inch cast aluminium wheels in multi-spoke design
- 02 18-inch cast aluminium wheels in 5-arm design
- 03 19-inch cast aluminium wheels in 5-twin-spoke design, contrasting grey, partly polished
- 04 19-inch cast aluminium wheels in 5-arm dynamic design (S design)
- 05 19-inch cast aluminium wheels in 10-spoke dynamic design
- 06 20-inch cast aluminium wheels in 5-V-spoke design, contrasting grey, partly polished

- 07 Audi Sport 20-inch cast aluminium wheels in 5-V-spoke star design in matt titanium look, gloss turned finish
- 08 Audi Sport 20-inch cast aluminium wheels in 5-arm polygon design in gloss anthracite black, gloss turned finish
- 09 Audi Sport 21-inch cast aluminium wheels in 5-twin-arm design in matt titanium look, gloss turned finish
- 10 21-inch forged aluminium wheels in 10-Y-spoke design



More quality. With cloth and leather upholstery.

You have a special place in your Audi. Impressive comfort can be felt on the front and rear seats: thanks to high-quality materials and first-class workmanship. No matter which seat upholstery you choose: you're sitting in the right place.

01

02

03

04

- 01 Standard seat, front in partial leather, black
- 02 Customised contour seat, front in Valcona leather, pearl beige, perforated with contrasting stitching and piping in agate grey
- 03 Sport seat, front in Valcona leather, okapi brown
- 04 S sport seat, front in Valcona leather, rotor grey, with contrasting stitching in anthracite and rhombus pattern with S embossing on the front-seat backrests

Essence cloth/mono.pur 550 combination, black

Milano leather, pearl beige

Valcona leather, sard brown, perforated, with contrasting stitching and piping in steel grey


Valcona leather, black with contrasting stitching in rock grey

Valcona leather, okapi brown, perforated

Rhythm cloth, black

Alcantara/leather combination, metropolis grey

Frequency Alcantara/leather combination, black



More exclusive. With the inlays.

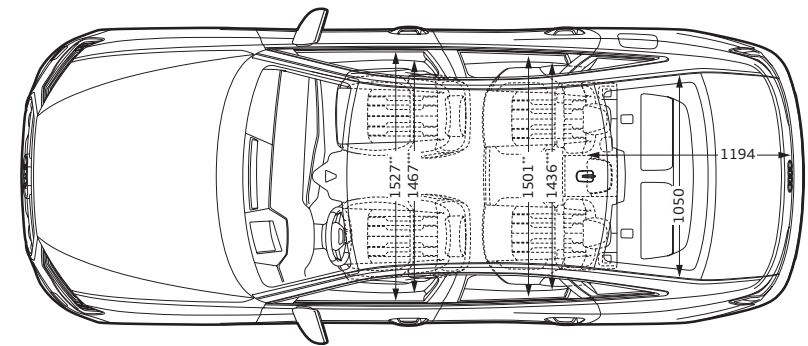
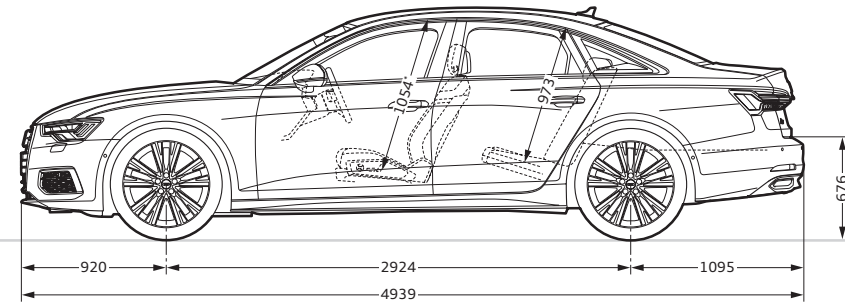
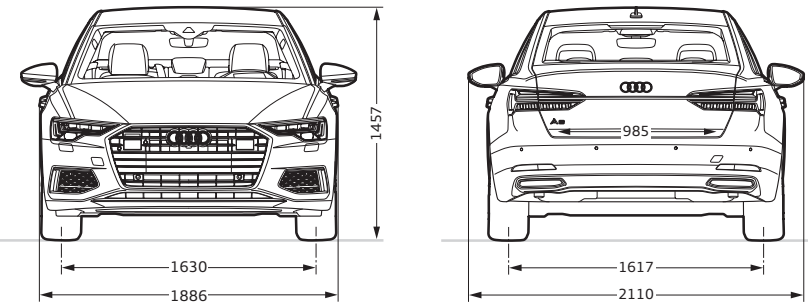
Exclusive ambience is a question of style. Your style. A style you can refine right down to the last detail. Create tangible accents with high-quality Audi inlays. Experience the fascination of selected materials. Fine woods or aluminium trim – combine them to suit your own personal taste.

- 01 Matt brushed aluminium dark
- 02 Fine grain birch, natural agate grey
- 03 Aluminium fragment
- 04 Fine grain ash, natural grey-brown
- 05 Walnut, natural

Audi A6 Sedan

Dimensions in mm

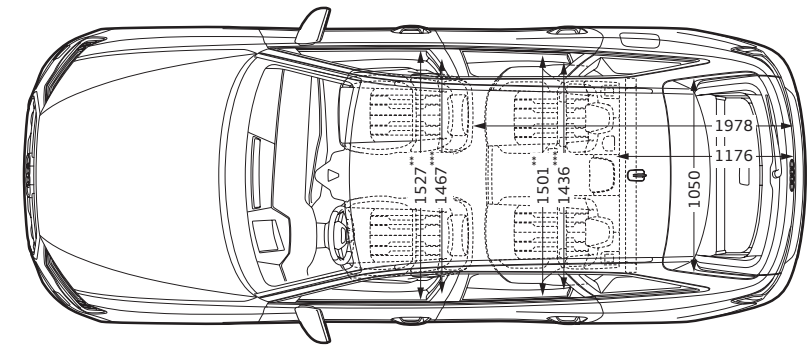
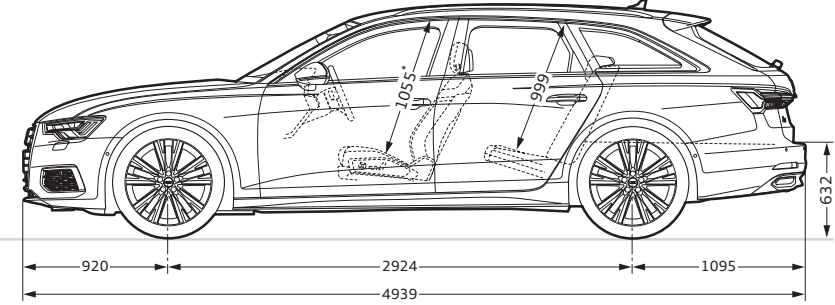
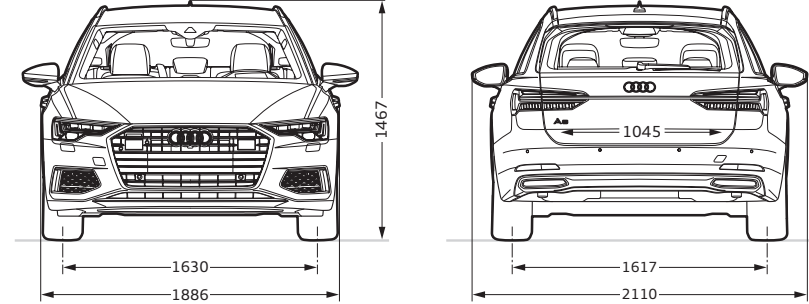
Dimensions are for unladen vehicle weight.
Luggage compartment volume 530l.
Turning circle approx. 12.1 m.
*Maximum headroom. **Elbow room width. ***Shoulder room width.



Audi A6 Avant

Dimensions in mm

Dimensions are for unladen vehicle weight.
Luggage compartment volume 565/1,680l
(second value is with the rear seat backrest folded down and vehicle loaded up to roof height).
Turning circle approx. 12.1 m.
*Maximum headroom. **Elbow room width. ***Shoulder room width.



Model

Engine type

Displacement in cc (valves per cylinder)

Max. output in kW (hp) at rpm

Max. torque in Nm at rpm

Power transmission

Drive type

Transmission type

Weights/capacities

Kerb weight in kg

Max laden weight in kg

Permissible roof load limit in kg

Fuel tank capacity in l

Performance/consumption

Top speed in km/h

Acceleration 0-100 km/h in s

Fuel grade

Fuel consumption combined in l/100 km

VES banding

Emission standard

A6 Sedan design 2.0 TFSI S tronic (140kW)

4-cylinder in-line engine with direct fuel injection, exhaust turbocharger and Audi valvelift system, Mild Hybrid Electric Vehicle (MHEV)

1,984 (4)

140 (190) / 4,200 - 6,000

320 / 1,450 - 4,200

Front-wheel drive

7-speed S tronic transmission

1,605

2,225

90

73

237

7.9

Sulphur-free RON 95

6.2

B

EU6

A6 Sedan design 2.0 TFSI S tronic (180kW)

4-cylinder in-line engine with direct fuel injection, exhaust turbocharger and Audi valvelift system, Mild Hybrid Electric Vehicle (MHEV)

1,984 (4)

180 (245) / 5,000 - 6,500

370 / 1,600 - 4,300

Front-wheel drive

7-speed S tronic transmission

1,640

2,230

90

73

250

6.8

Sulphur-free RON 95

7.0

B

EU6

A6 Sedan sport 3.0 TFSI quattro S tronic

V6 engine with direct fuel injection, exhaust turbocharger and Audi valvelift system, Mild Hybrid Electric Vehicle (MHEV)

2,995 (4)

250 (340) / 5,200 - 6,400

500 / 1,370 - 4,500

quattro with ultra technology

7-speed S tronic transmission

1,815

2,470

90

73

250

5.1

Sulphur-free RON 95

7.2

C1

EU6

A6 Avant design 2.0 TFSI S tronic

4-cylinder in-line engine with direct fuel injection, exhaust turbocharger and Audi valvelift system, Mild Hybrid Electric Vehicle (MHEV)

1,984 (4)

140 (190) / 4,200 - 6,000

320 / 1,450 - 4,200

Front-wheel drive

7-speed S tronic transmission

1,670

2,295

100

73

232

8.1

Sulphur-free RON 95

6.3

B

EU6

Premium Automobiles

281 Alexandra Road Singapore 159938 Tel: 6838 2223
55 Ubi Road 1 Singapore 408699 Tel: 6366 2323

Printed January 2020

The models, colours and equipment options illustrated and described in this brochure and some of the services listed are not available in Singapore. Some of the cars illustrated are equipped with optional features that are chargeable. Details concerning the delivery specifications, appearance, performance, dimensions and weights, fuel consumption and running costs of the vehicle were correct to the best of our knowledge at the time of going to press. Deviations from the colours and shapes shown in the illustrations may occur. No liability is accepted for errors and printing errors.

