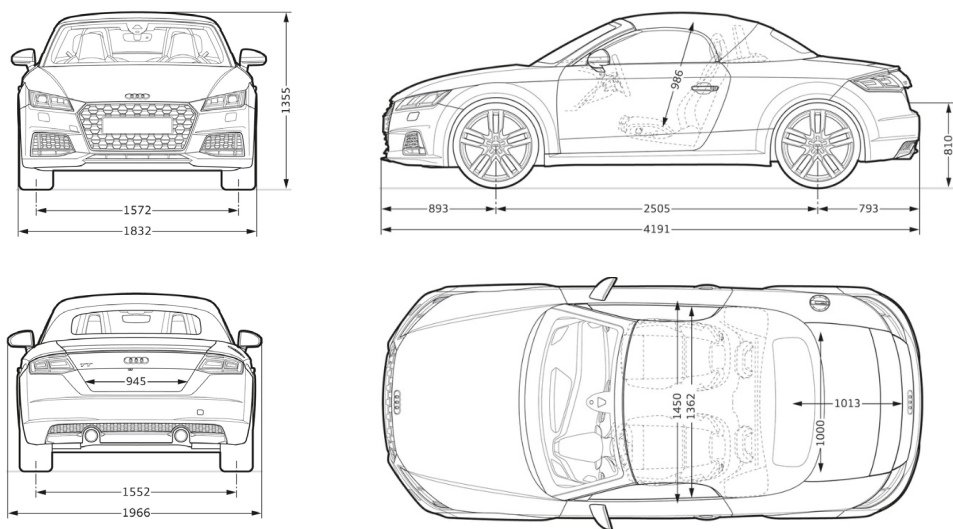


**TT**  
Roadster

## TECHNICAL DATA

TT Roadster 2.0 TFSI S tronic	
<b>ENGINE</b>	
Propellant	Petrol
Type	4-cylinder inline engine with direct fuel injection and turbocharging
Valves	16
Engine capacity	1,984
Max output kW (hp)/rpm	145 (197) / 4,350 – 6,000
Max torque (Nm)/rpm	320 / 1,500 – 4,300
<b>TRANSMISSION</b>	
Gearbox	7-speed S tronic transmission
Drive	Front wheel drive
<b>PERFORMANCE</b>	
Acceleration 0–100km/h	6.9
Top speed (km/h)	250
Fuel consumption (combined) in l/100km	6.3
VES banding	C1
Start/stop system	Yes
<b>CHASSIS</b>	
Steering	Electromechanical power steering
Front suspension	MacPherson struts
Rear suspension	4-link rear axle
<b>BRAKES</b>	
Front	Ventilated discs
Rear	Discs
Braking assistance	Anti-lock Braking System (ABS)

### Measurements (All in mm)



Dimensions are based on technical data from Audi Germany. Actual specifications may vary from models shown.

Wheelbase	2,505
Length	4,191
Height	1,355
Width (mirrors folded/unfolded)	1,832 / 1,966
Track (front/rear)	1,572 / 1,552
Turning circle (m)	11.0
Kerb weight (kg)	1,385
Luggage volume (litres)	280
Fuel tank (litres)	50

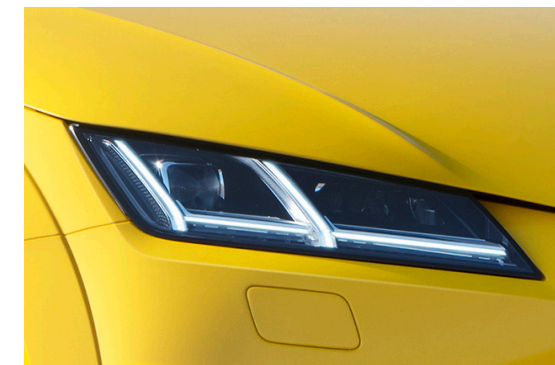
## STANDARD/OPTIONAL EQUIPMENT

	TT Roadster 2.0 TFSI S tronic
<b>SAFETY</b>	
Electronic vehicle immobilization device	•
Front side airbags	•
Full-size airbags with front passenger airbag deactivation	•
ISOFIX child seat anchors for front passenger	•
Seat belt monitoring	•
Tool kit	•
<b>TECHNOLOGY AND ASSISTANCE SYSTEMS</b>	
Audi drive select	•
Audi side assist	○
Convenience key without safelock	•
Cruise control	•
Hold assist	•
Park assist with reversing camera	•
Sport suspension	•
S line sport suspension	○
<b>EXTERIOR DESIGN</b>	
Automatic headlight range dynamic adjustment	•
Bumpers in body colour	•
Electrical wind deflector	•
Exterior mirrors convex on left, aspheric on right	•
Exterior mirror housings in body colour	•
Exterior mirrors electrically adjustable, heated and folding, automatically dimming on both sides including automatic kerb-side function on passenger's side	•
LED daytime running lights	•
LED headlights with headlight washer, light/rain sensor, dynamic cornering and all weather light	•
LED rear lights with dynamic indicators	•
S line exterior package	○
<b>WHEELS</b>	
Alloy wheels, 5-spoke Y design, 8.5J x 18 with 245/40 R18 tyres	•
Alloy wheels, 5-double spoke dynamic design, gloss-turned finish, 8.5J x 18 with 245/40 R18 tyres	○
Audi sport alloy wheels, 5-V spoke design, matte titanium grey, gloss-turned finish, 9.0J x 20 with 255/30 R20 tyres	○
Tyre pressure loss indicator	•
Tyre repair kit	•
<b>COMFORT</b>	
Deluxe automatic air conditioning	•
Electrically adjustable front S sport seats with 4-way lumbar support and pneumatically adjustable backrest side bolsters for driver and passenger's seat	•
Lighting package	•
Seat upholstery in fine nappa leather	•
Windscreen, side and rear windows in heat insulating glass	•
<b>INTERIOR DESIGN</b>	
Black decorative trims	•
Interior elements in black paint finish	•
Interior elements in orange satin, turbo blue satin or silver fine paint	○
Decorative inserts in aluminium drift	•
Decorative inserts in carbon twill	○
Door sill trims with aluminium inlays	•
Frameless interior mirror with automatic dimming	•
Interior in extended aluminium look	•
Roll-over bars with trim in aluminium look	•
Roll-over bars with trim in gloss black look and black styling package	○
TT sport contour leather steering wheel, 3-spoke, flat-bottomed with multifunction plus and shift paddles	•
Leather package	○
<b>INFOTAINMENT</b>	
8 passive speakers	•
Audi phone box light	•
Audi smartphone interface	•
Audi virtual cockpit	•
MMI navigation plus with MMI touch	•
Bang & Olufsen premium sound system	○

Actual specifications may vary from model shown. Options and features of the Audi TT Roadster are model dependent and available at the purchaser's option.

• Standard equipment ○ Optional equipment

### LED headlights



TT sport contour leather steering wheel, 3-spoke, flat-bottomed with multifunction plus and shift paddles



Audi virtual cockpit



Optional Audi sport alloy wheels, 5-V spoke design, matte titanium grey, gloss-turned finish, 9.0J x 20 with 255/30 R20 tyres



LED rear lights with dynamic indicators



## With every Audi comes a life full of privileges

Audi ownership doesn't only get you to drive the most luxurious cars in the world. Thanks to myAudiworld, Singapore's premier privilege program, it also grants you access to one-of-a-kind experiences and bespoke events that always deliver the best in gastronomy, sports, culture and driving experiences, only reserved to our distinguished members.



To discover more about the exclusive privileges that come with owning an Audi, visit [www.myAudiworld.sg](http://www.myAudiworld.sg)

 **PREMIUM AUTOMOBILES**

281 Alexandra Road Singapore 159938 Tel: 6836 2223  
55 Ubi Road 1 Singapore 408699 Tel: 6366 2323

Information is accurate as at December 2022