

CITROËN C3



CITROËN





# THE CITROËN RANGE

Here at Citroën we have come a long way since we created the world's first all-steel bodied car. Today we are recognised for our innovative technology and original designs. Our world-leading, fuel-efficient engines respect the environment and our outstanding safety features guarantee one of the safest driving environments available. We are fully committed to delivering outstanding customer service to back up the fantastic Citroën Model Range.

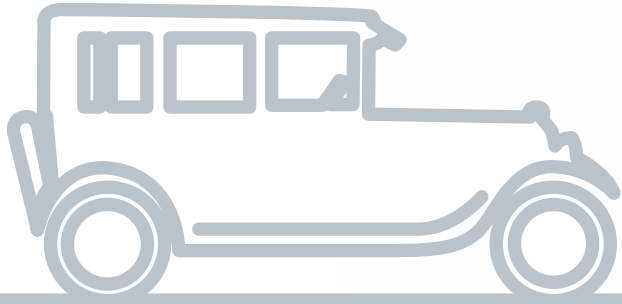
We're proud to be part of such an iconic brand and we look forward to helping you choose a car that means you too can enjoy the driving experience offered by Citroën's Créative Technologie.



Handwritten signature of Stéphane Le Guevel.

**Stéphane Le Guevel**  
Director General  
Citroën UK and Ireland





1924

Citroën creates the B10 and the world's first all-steel bodied car is born.

1949

Twenty five years later, the iconic 2CV is launched and stays in production for over 5 decades!



A HISTORY...



1989

The prestigious, XM makes its debut, showcasing Citroën's advanced Hydractive computer controlled selflevelling suspension.



2008

The C4 WRC proves to be an all-conquering World Rally Champion. Citroën takes the Manufacturers' Title in 2008, 2009 and 2010.

2010

The innovations keep coming – quietly – with Citroën Survolt concept. A thrilling, clean, whisper quiet electric car.



2013

Never content to rest on our laurels, the innovative Citroën C3 Hybrid Air is unveiled at the Geneva Motor Show.

...OF INNOVATION



# YOU & YOUR C3

Citroën C3 shows that generous space and a compact profile work beautifully together, just as chic style and practicality do. Well equipped, advanced and efficient, this is the small family hatchback that responds to your needs.





# FUSS-FREE STYLE

You'll appreciate the design of Citroën C3 at a glance, but great style gets better the longer you look. There's no unnecessary clutter, just smooth bold curves and sleek surfaces that give the car its unique personality. Despite being very compact, Citroën C3 has real presence.



The elegant, sweeping panoramic Zenith windscreen, optional on VTR+ and standard on Exclusive versions, bathes the interior in natural light and enhances the ambience.



## DETAILS THAT COUNT

Because Citroën C3 style is about individuality, its details really count. Look at the way the polished chrome grille and proud trademark chevrons flow together for example. Chrome bumper inserts and door handles, standard on VTR+ and Exclusive versions, add to the prestigious feel.



From VTR+ level you also see the unmistakable signature of LED Daytime Running Lights and beautifully engineered alloy wheels\*. It all adds up to create a chic and distinctive small 5-door family car.

\* VTR+ e-HDi 70 ETG has a different specification.



# A PERFECT FIT

That smooth characterful exterior that makes Citroën C3 so individual surrounds an interior that is amazingly spacious and useful. Open the tailgate and you will discover 300 litres of well-shaped boot space – and that's with five people sitting in comfort. Fold the rear seats flat and you're looking at 1.19 metres of load length, ready to accommodate all kinds of loads.






**1.19**  
**METRES**  
**OF LOAD LENGTH**

You'll notice that distinguished features, such as the crisp bright LED Daytime Running Lights and sculpted light alloy wheels on VTR+ and Exclusive Versions, make this a stylish family car with plenty of substance.



## EQUIPPED FOR DRIVING

Citroën C3 puts all the technology you need for effortless relaxed driving instantly within reach. It's equipped to make all your journeys a pleasure. At the heart of this driver focused technology is a multi-function trip computer that delivers all the important information such as current fuel consumption, distance covered and remaining range.



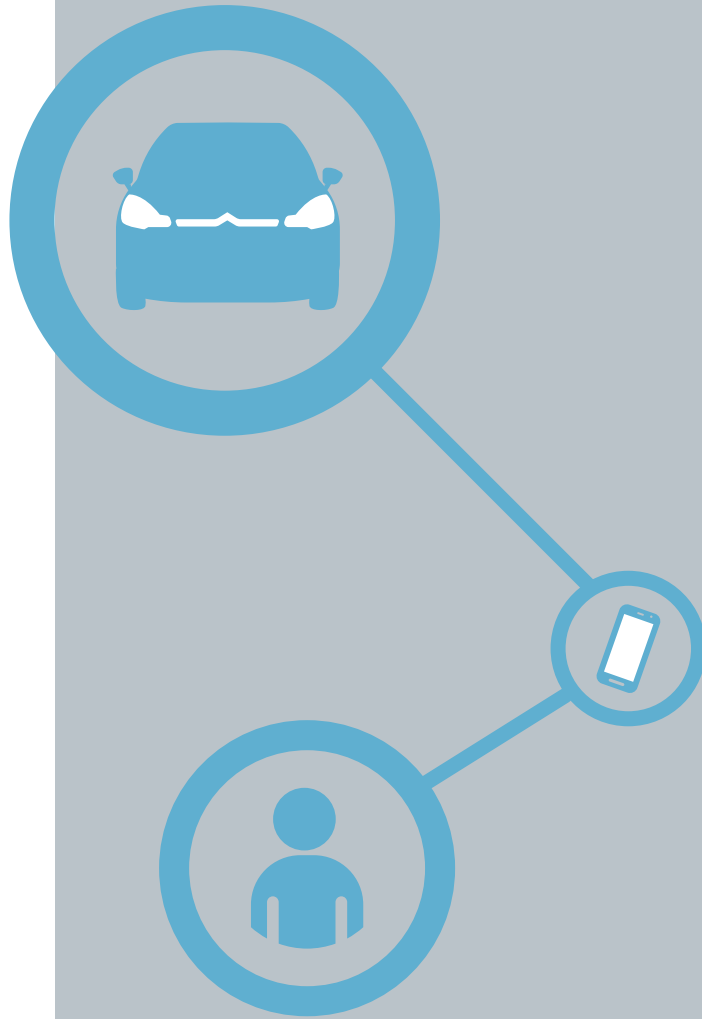
On VTR+ and Exclusive models you can also choose the optional eMyWay. Now you've got all the benefits of colour satellite navigation and a reversing camera that both use the 7 inch 16:9 ratio screen to ensure perfect route finding and pinpoint manoeuvres – every time. Optional parking sensors emit an audible warning that keeps you bump free once you arrive and find a space.



# MADE FOR COMFORT

Inside Citroën C3, innovative technology makes life really comfortable for everyone. An option on VTR+ and Exclusive versions is automatic air conditioning, which maintains a perfect interior environment in all weathers, and can be easily fine-tuned using the clear circular multi-function dials. To enhance the interior ambience further, you can select the optional scented air freshener that diffuses a choice of fragrances through the central air vents.





Offering a seamless combination of communication and entertainment, the Connecting Box features Bluetooth® handsfree plus media streaming with a USB socket, and is standard on VTR+ and Exclusive trim levels.



# READY FOR ANYTHING

Driving Citroën C3 will always inspire your confidence, because its designed and made to. ABS with Electronic Brakeforce Distribution, Emergency Braking Assistance and Electronic Stability Control each work to keep you firmly in control in all circumstances and conditions. If you have to brake really hard or change direction suddenly, the hazard warning lights flash automatically.



Every part of Citroën C3 helps to keep you safe. For example the large glazed area gives you exceptional all round visibility, so you don't have to worry about hidden hazards or blind spots.



CITROËN C3

# LOOKING AFTER EVERYONE

When your family is on board, nothing is more important than all round protection. Citroën C3 provides two front airbags and two lateral airbags as standard, plus side curtain airbags on VTR+ and Exclusive versions. Naturally, there are Isofix points on the rear seats to ensure maximum safety and comfort for children and there's also a really useful electronic child lock which can be activated and deactivated from the front, for complete peace of mind.





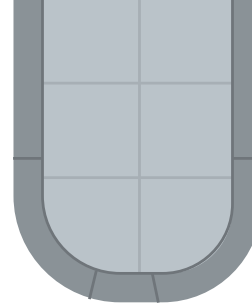
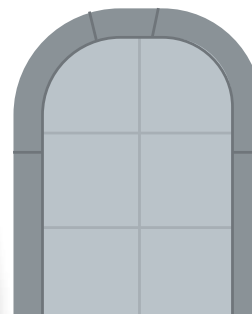
Jump in to start your journey and a warning light and audible signal will remind you to fasten your seat belt before setting off. Citroën C3 is simply a safe way to travel for everyone.



# COMPACT INSPIRATION

The stylish, individual profile of Citroën C3 turns heads, but it's surprisingly compact. Despite being roomy and comfortable for five people, it's actually only 3941mm long and 1728mm wide – just right for nipping around the city streets.

Escape from the city and you'll find that Citroën C3's taut chassis, just-right controls and minimal exterior dimensions help to make it sure footed and good fun at every turn.

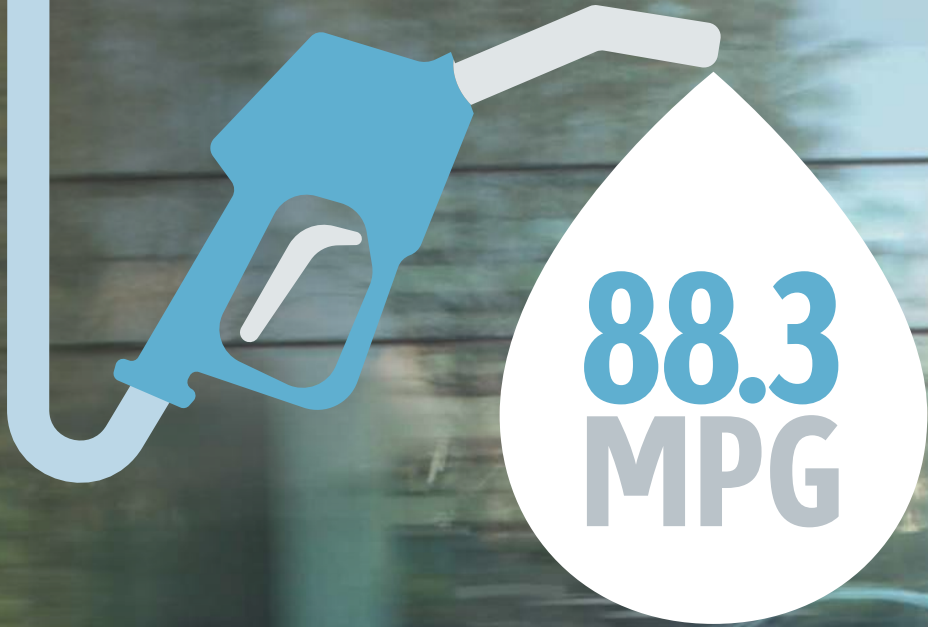




# FUEL YOUR ENTHUSIASM

Citroën C3 lets you make the most of every drop of fuel, because it mixes individuality, comfort and driving pleasure with extraordinary economy. And to help you take full advantage of its advanced efficiency there's a Gear Efficiency Indicator too to tell you the best time to change gear for optimal mileage.

Choose either the sophisticated e-HDi 70 ETG or Blue HDi 110 manual versions and you will be able to achieve a very impressive 83.1mpg on the combined cycle and no less than 88.3mpg on long runs – you'll go far!



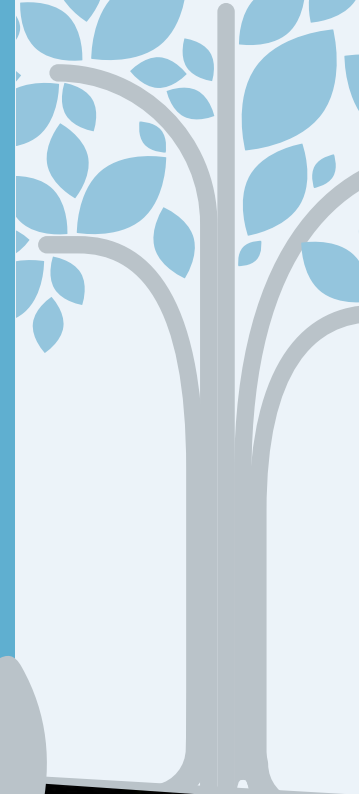


## DOWN WITH CO<sub>2</sub>

Your Citroën C3 has a small footprint in more ways than one. Aerodynamic, light and full of innovative thinking, it treads lightly on every trip. With advanced Citroën engineering, it takes CO<sub>2</sub> to new lows without compromising your drive.



There's a range of smooth punchy petrol and diesel engines to choose from that are amongst the most efficient in their class. Go for the e-HDi 70 ETG diesel and you will achieve an impressive 87g/km CO<sub>2</sub>. It's better for the environment and for your budget too.





A close-up photograph of a woman's face, focusing on her eyes and hair. She has dark, expressive eyes and long, dark eyelashes. Her hair is a vibrant, deep red color. The image is partially overlaid with a blue graphic element consisting of a horizontal bar and two large, overlapping circular shapes on the left side. The text 'UNIQUE THREE' is written in a white, tall, thin, sans-serif font across the blue bar.

# UNIQUE THREE

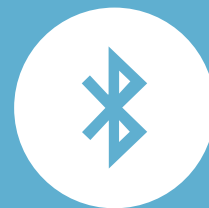


Citroën C3 reflects your individuality. Chic and distinctive, it's available in three stylish versions, each with a unique blend of signature design elements, technology and luxury touches. Choosing the version that sparks your imagination will be a matter of following your feelings: more like meeting a new friend than thinking about specifications. You'll just 'click'.



## VTR. START IN STYLE

The range begins on a high. Here you'll enjoy an extensive standard specification that focuses the Citroën C3's true qualities. VT stands for effortless style, comfortable space, advanced technology and thoughtful details – in a single seamless package.



## VTR+. FINE-TUNED LUXURY

Go for VTR+ and you will enjoy a carefully designed combination of extra style, comfort and entertainment features that are much more than just 'add ons'. Everything is chosen and designed to enhance core strengths, so you can appreciate what makes Citroën C3 characterful and welcoming that much more.





# EXCLUSIVE. EQUIPPED TO AMAZE

It's not just the standard Panoramic Zenith windscreen or the automatic air conditioning. It's not the beautiful 16 inch 'Valongas' alloy wheels or subtle interior mood lighting. The Exclusive trim level is: a definitive specification that leaves you wanting for nothing.





Polar White

Ink Blue (M)

Belle Ile Blue (M)

Ruby Red (M)

Arctic Steel (M)

# DREAM IN COLOUR

The confident curves and fuss-free surfaces of Citroën C3 make a great blank canvas when it comes to choose your ideal body colour. Take a look at the range of ten stunning shades, then feel free to express yourself.

Perla Nera Black (M)



Shark Grey (M)



Karma Purple (M)



Virtual Blue (M)



Pearl White (P)



(M) Metallic (P) Pearlescent Please note: Colours and pictures shown are for illustration purposes only. Please consult your Dealer for definitive colour and trim/upholstery details.



# OVER TO YOU

This is the point where Citroën C3 can spring into life. Take a look at the product specification brochure and start to shape the car that best reflects you in every way. The next step is to make it happen. Simply get in touch with your local Authorised Citroën Dealer to arrange a test drive.

**To find out more go to [citroen.co.uk](http://citroen.co.uk) or [citroen.ie](http://citroen.ie)**





## CRÉATIVE TECHNOLOGIE

[www.citroen.co.uk](http://www.citroen.co.uk)  
[www.citroen.ie](http://www.citroen.ie)

**CITROËN UK Ltd. Pinley House, 2 Sunbeam Way, Coventry CV3 1ND.**  
**CITROËN MOTORS IRELAND Ltd. Airside Motor Park, Swords, Co. Dublin.**

**CITROËN prefers TOTAL**



This brochure is made from paper from a well-managed forest. Citroën support responsible use of forest resources. Please don't throw me away, give me to a friend or recycle me.

NOTE: Images and specification descriptions are dependent on trim level and options specified. Every endeavour has been made to ensure that the information and details contained in this brochure were accurate at the time of going to press February 2015. However the company reserves the right, whilst preserving the essential characteristics of the models described, to introduce at any time modifications, changes of details, equipment or accessories. Every effort will be made to bring this brochure up to date, but in order to avoid any misunderstandings please consult your Dealer. The Citroën UK Website contains full information on all Citroën products and offers available in the UK, together with details of our environmental and recycling policies. The site address is: [www.citroen.co.uk](http://www.citroen.co.uk) or you can contact Citroën directly via [cuk\\_contactcentre@citroen.com](mailto:cuk_contactcentre@citroen.com). The Citroën Motors Ireland Website contains full information on all Citroën products and offers available in the Republic of Ireland, together with details of our environmental and recycling policies. The site address is: [www.citroen.ie](http://www.citroen.ie) or you can contact Citroën directly via [contactcmi@citroen.com](mailto:contactcmi@citroen.com).

CITROËN C3  
PRODUCT SPECIFICATIONS



# OVER TO YOU...

The power of three. The Citroën C3 range is a sensory treat, whether you're admiring its sculpted profile, relaxing in stylish comfort, enjoying the tactile quality or even personalising the air freshening fragrances.

## VT. AFFORDABLE COMFORT.

Citroën C3 VT specification includes:

- ABS with Electronic Brakeforce Distribution and Emergency Braking Assistance
- Electronic Stability Control
- Automatic activation of hazard warning lights
- Driver, front passenger and front lateral airbags
- Variable power assisted steering
- Remote central locking with deadlocks
- RDS radio/MP3 CD player with four speakers, AUX socket and steering mounted controls
- Rear split/folding and reclining seats
- Halogen headlights
- Laminated windscreen
- Electrically adjustable door mirrors
- Front electric windows
- 12 volt socket in cabin
- Automatic door and boot locking
- Electronic child locks
- Rear ISOFIX mounting points
- Multi-function on-board trip computer
- Height and reach adjustable steering wheel
- Height-adjustable driver's seat
- 15 inch 'Airflow' wheel covers – PureTech 68 manual version only
- 15 inch 'Asterodea' wheel covers – HDi 70 manual version only
- Full-size steel spare wheel
- Body colour front and rear bumpers
- Tyre pressure monitor

	VT	VTR+	Exclusive
<b>PETROL ENGINE AVAILABILITY</b>			
PureTech 68 manual	•	•	
PureTech 82 manual		•	
PureTech 82 S&S ETG		•	
PureTech 110 S&S manual			•
VTi 120 automatic			•
<b>DIESEL ENGINE AVAILABILITY</b>			
HDi 70 manual	•	•	
e-HDi 70 ETG		•	
e-HDi 90 manual		•	•
e-HDi 90 ETG6			•
BlueHDi 100 manual			•



## VTR+. CONCENTRATED LUXURY.

Citroën C3 **VTR+** specification in addition to VT includes:

- Air conditioning
- Curtain airbags
- Cruise control with speed limiter
- **Connecting Box** – Bluetooth® handsfree and media streaming with USB socket
- Leather steering wheel
- Chrome handbrake surround
- Chrome door handles
- Body colour door mirrors
- LED Daytime Running Lights (DRLs)
- Height-adjustable front passenger's seat
- 15 inch 'Airflow' wheel covers – e-HDi 70 ETG version only
- 15 inch 'Parkes' alloy wheels – excludes e-HDi 70 ETG version

## EXCLUSIVE. INTELLIGENT INDULGENCE.

Citroën C3 **Exclusive** specification in addition to VTR+ includes:

- Panoramic Zenith windscreen
- Automatic air conditioning
- Integrated dashboard scented air freshener
- Rear electric windows
- Front fog lights
- Perimetric and volumetric alarm
- Electrically heated folding door mirrors
- 16 inch 'Valonga' alloy wheels
- Space saver steel spare wheel
- Chrome window trims and insert on tailgate
- Front armrest
- Interior mood lighting
- Front and rear luxury velour carpet mats



# OPTIONS

Options are about freedom of choice. Freedom is about going where you want and doing as you please. The Citroën C3 options invite you to do so in style, safety and comfort.



CITROËN C3 OPTION SUMMARY	VT	VTR+	Exclusive	BASIC R.R.P.	V.A.T.	TOTAL R.R.P.
<b>PAINT</b>						
Flat paint (Polar White)	o	o	o	£0.00	£0.00	<b>£0.00</b>
Metallic/Pearlescent paint (Arctic Steel, Shark Grey, Perla Nera Black, Ink Blue, Virtual Blue, Belle Ile Blue, Karma Purple, Ruby Red)	o	o	o	£412.50	£82.50	<b>£495.00</b>
Pearlescent White	o	o	o	£608.33	£121.67	<b>£730.00</b>
<b>PACKS</b>						
<b>Visibility Pack</b> – automatic lights and windscreen wipers, auto-dimming electrochromic rear view mirror and additional mood lighting for Zenith roof			o	£133.33	£26.67	<b>£160.00</b>
<b>VTR+ Comfort Pack</b> – rear electric windows, electrically heated folding door mirrors, front armrest, rear parking sensors		o		£332.50	£66.50	<b>£399.00</b>
<b>Exclusive Style &amp; Convenience Pack</b> – Visibility Pack (automatic lights and windscreen wipers, auto-dimming electrochromic rear view mirror), rear parking sensors, 17 inch 'Clover' black inlay alloy wheels			o	£395.00	£79.00	<b>£474.00</b>
<b>EXTERIOR STYLE</b>						
17 inch 'Clover' black inlay alloy wheels			o	104.17	20.83	<b>£125.00</b>
Panoramic Zenith windscreen		o		250.00	50.00	<b>£300.00</b>
<b>INTERIOR STYLE</b>						
Black leather			o	£333.33	£66.67	<b>£400.00</b>
<b>COMFORT &amp; CONVENIENCE</b>						
Rear parking sensors		o	o	£225.00	£45.00	<b>£270.00</b>
<b>eMyWay satellite navigation</b> – reversing camera and reversing sensors with 6 speakers (includes integrated dashboard air freshener and gloss black lower dashboard		o <sup>1/2/3</sup>	o <sup>1/3</sup>	£791.67	£158.33	<b>£950.00</b>

- Standard equipment
- Optional factory fitted equipment

<sup>1</sup> Mobile phone compatibility can vary by phone manufacturer. Please consult your Dealer for further compatibility information.

<sup>2</sup> Includes scented air freshener.

<sup>3</sup> Includes gloss black lower dashboard.



## COLOURS TRIMS AND WHEEL OPTIONS



**Black/dark grey 'Omni Crepe' cloth**  
Standard on VT versions



**Black/brown 'Fyber' cloth**  
Standard on VTR+ versions



**Black 'Andorra Gloss' and 'Dynamica' cloth**  
Standard on Exclusive versions



**Black leather**  
Optional on Exclusive versions

**15 inch 'Airflow' wheel covers**  
Standard on VT<sup>1</sup> and VTR+<sup>2</sup> versions



**15 inch 'Asteroidea' wheel covers**  
Standard on VT<sup>3</sup> versions



**15 inch 'Parkes' Alloy wheel**  
Standard on VTR+<sup>4</sup> versions



**16 inch 'Valonga' Alloy wheels**  
Standard on Exclusive versions



**17 inch black 'Clover' Alloy wheels**  
Optional on Exclusive versions



- <sup>1</sup> PureTech 68 manual versions only.
- <sup>2</sup> e-HDi 70 ETG version only.
- <sup>3</sup> HDi 70 manual versions only.
- <sup>4</sup> Excludes e-HDi 70 ETG version.

# EQUIPMENT SPECIFICATION



	VT	VTR+	Exclusive
<b>SAFETY &amp; SECURITY</b>			
ABS with Electronic Brakeforce Distribution and Emergency Braking Assistance	•	•	•
Electronic Stability Control	•	•	•
Driver, front passenger and front lateral airbags	•	•	•
Curtain airbags	•	•	•
Front seat belt pre-tensioners with force-limiters	•	•	•
Five three-point inertia reel seat belts	•	•	•
Unfastened seat belt warning for front seats	• <sup>1</sup>	•	•
Laminated windscreen	•	•	•
Automatic activation of hazard warning lights	•	•	•
Remote central locking	•	•	•
Child lock control and indicator	•	•	•
Automatic door and boot locking	•	•	•
Rear ISOFIX mounting points	•	•	•
Cruise control with speed limiter		•	•
Perimetric and volumetric alarm			•
Full size steel spare wheel	•	•	
Space saver steel spare wheel			•
<b>LIGHTING &amp; VISIBILITY</b>			
Panoramic Zenith windscreen		○	•
Halogen headlights	•	•	•
Electrically adjustable door mirrors	•	•	•
Electrically heated folding door mirrors			•
Boot light	•	•	•
Front courtesy reading lights	•	•	•
Front fog lights			•
Interior mood lighting			•

- Standard equipment
- Optional factory fitted equipment

- <sup>1</sup> Excludes front passenger seat on VT versions.
- <sup>2</sup> Excludes automatic version.

	VT	VTR+	Exclusive
<b>DRIVER INFORMATION</b>			
Multi-function on-board trip computer (current fuel consumption, average fuel consumption, distance covered, average speed and range on remaining fuel)	•	•	•
Gear Efficiency Indicator	•	•	• <sup>2</sup>
Exterior temperature display	•	•	•
Black panel on/off instrument lighting	•	•	•
Tyre pressure monitor	•	•	•
<b>STYLE</b>			
<b>EXTERIOR</b>			
15 inch 'Asterodea' wheel covers	• <sup>3</sup>		
15 inch 'Airflow' wheel covers	• <sup>4</sup>	• <sup>5</sup>	
15 inch 'Parkes' alloy wheels		• <sup>6</sup>	
16 inch 'Valonga' alloy wheels			•
Body colour front and rear bumpers	•		
Body colour front bumper with chrome insert and rear bumpers		•	•
Black door handles	•		
Chrome door handles		•	•
Black door mirrors	•		
Body colour door mirrors with black base		•	•
Chrome window trims			•
Chrome insert on tailgate			•
<b>INTERIOR</b>			
'Soft-touch' effect upper dashboard	•	•	•
Tungsten lower dashboard	•	•	
Moondust Grey lower dashboard			•
Leather steering wheel		•	
Leather steering wheel with chrome inserts			•
Gloss black painted centre console			•
Leather gear knob with chrome inserts			•
Chrome gear surround			• <sup>2</sup>
Chrome handbrake surround		•	•
Front sill protector			•

	VT	VTR+	Exclusive
<b>STORAGE</b>			
Front door pockets with bottle holder	•	•	•
Front seat-back pockets		•	•
Lashing eye in the boot	•	•	•
Drawer under front passenger's seat			•
<b>COMFORT &amp; CONVENIENCE</b>			
Variable power assisted steering	•	•	•
'Find my car' feature	•	•	•
Height and reach adjustable steering wheel	•	•	•
Scented air freshener		• <sup>7</sup>	•
12 volt socket in cabin	•	•	•
Air recirculation and pollen filter	•	•	•
Driver's and passenger's sunvisor with courtesy mirror	•	• <sup>8</sup>	
Front electric windows	•		
Front electric windows with 'one-touch' operation on driver's side		•	
Front and rear electric windows			•
Air conditioning		•	
Automatic air conditioning			•
Front and rear carpet mats			•
<b>SEATING</b>			
Height-adjustable driver's seat	•	•	•
Height-adjustable front passenger's seat		•	•
Three retractable rear head restraints		•	•
Rear split/folding seats	•	•	•
Front armrest			•
<b>IN-CAR ENTERTAINMENT</b>			
RDS radio/MP3 CD player with four speakers, AUX socket and steering mounted controls	•	•	•
Connecting Box – Bluetooth® handsfree and media streaming with USB socket		• <sup>9</sup>	• <sup>9</sup>

<sup>3</sup> HDi 70 manual version only.

<sup>4</sup> PureTech 68 manual version only.

<sup>5</sup> Standard on VTR+ e-HDi 70 ETG version only.

<sup>6</sup> Excludes e-HDi 70 ETG version.

<sup>7</sup> Included when optional eMyWay and Hi-Fi system is ordered.

<sup>8</sup> Not available with optional panoramic Zenith windscreens.

<sup>9</sup> Mobile phone compatibility can vary by phone manufacturer. Please consult your Dealer for further compatibility information.

# TECHNICAL SPECIFICATION



**83.1 mpg**

on e-HDi 70  
ETG version



**87g/km CO<sub>2</sub>**

on e-HDi 70  
ETG version

	PETROL ENGINES		
	PureTech 68 manual	PureTech 82 manual	
<b>ENGINE</b>			
Capacity (cc)	999	1199	
Cylinders	3 in line	3 in line	
Max power CEE (kW/rpm)	50/6000	60/5750	
Max torque CEE (Nm/rpm)	95/3000	118/2750	
Fuel system	Multi-point electronic fuel injection		
Euro status	Euro 6	Euro 6	
<b>TRANSMISSION</b>			
Transmission type	Five speed manual	Five speed manual	
Clutch type	Dry single plate	Dry single plate	
<b>PERFORMANCE</b> <small>(All figures driver alone)</small>			
Max speed (mph)	101	108	
0-62mph (secs)	14.2	14.2	
Standing 1000m (secs)	35.7	35.4	
<b>ECONOMY</b> <small>(Official Government test fuel consumption figures)</small> <b>Litres/100km (mpg)</b>			
	15 inch Airflow Covers	15 inch Parkes Alloy Wheels	
Urban cycle	5.1 (55.4)	5.2 (54.3)	5.6 (50.4)
Extra urban	3.8 (74.3)	4.0 (70.6)	4.1 (68.9)
Combined	4.3 (65.7)	4.4 (64.2)	4.6 (61.4)
<b>CO<sub>2</sub> EMISSIONS (g/km)</b>			
	99	102	107
<b>WEIGHTS (kg)</b> <small>Please note: the maximum plated weights must not be exceeded</small>			
Mass in service	1048	1140	
Max laden weight	1500	1500	
Max towing weight braked/unbraked	775/450	1100/520	
Max roof rack load	70	70	
<b>BRAKES</b>			
	ABS with EBD and EBA standard on all versions		
	Front discs, rear drums	Front discs, rear drums	
<b>STEERING</b>			
	Variable power assisted steering		
Number of turns lock to lock	3.1	3.1	
Turning circle between kerbs (m)	10.2	10.2	
<b>SUSPENSION</b>			
	Pseudo MacPherson strut front with deformable beam rear		
<b>FUEL TANK CAPACITY</b> Litres (gallons)			
	50 (11)		
<b>EXTERIOR DIMENSIONS (mm)</b>			
Length/Width/Height	3941/1728/1538		
Wheelbase	2466		
<b>BOOT VOLUME &amp; DIMENSIONS</b>			
Seats up – below parcel shelf min/max (litres VDA)	300		

PETROL ENGINES			DIESEL ENGINES				
PureTech 82 S&S ETG	PureTech 110 S&S manual	VTi 120 automatic	HDi 70 manual	e-HDi 70 ETG	e-HDi 90 manual	e-HDi 90 ETG6	BlueHDi 100 manual
1199 3 in line 60/5750 118/2750 Euro 6	1199 3 in line 81/5500 205/1500 Euro 6 Multi-point electronic fuel injection	1598 4 in line 88/6000 160/4250 Euro 5	1398 4 in line 50/4000 160/1750 Euro 5	1398 4 in line 50/4000 160/1750 Euro 5	1560 4 in line 68/4000 230/1750 Euro 5 High pressure direct diesel injection	1560 4 in line 68/4000 230/1750 Euro 5	1560 4 in line 73/3750 254/1750 Euro 6
Efficient Tronic Gearbox (ETG) Dry single plate	Five speed manual Dry single plate	Five speed automatic Torque converter	Five speed manual Dry single plate	Efficient Tronic Gearbox (ETG) Dry single plate	Five speed manual Dry single plate	Efficient Tronic Gearbox (ETG) Dry single plate	Five speed manual Dry single plate
110 14.4 35.4	118 10.6 32.0	118 10.9 32.4	101 13.5 35.0	101 16.2 36.9	113 11.3 33.0	111 11.8 33.9	117 10.8 33.5
5.2 (54.3) 3.9 (72.4) 4.3 (65.7)	5.9 (47.9) 4.0 (70.6) 4.7 (60.1)	9.3 (30.4) 4.9 (57.6) 6.5 (43.5)	4.5 (62.8) 3.4 (83.1) 3.8 (74.3)	3.6 (78.5) 3.2 (88.3) 3.4 (83.1)	4.3 (65.7) 3.2 (88.3) 3.6 (78.5)	4.3 (65.7) 3.5 (80.7) 3.8 (74.3)	3.8 (74.3) 3.2 (88.3) 3.4 (83.1)
99	107	150	99	87	95	99	87
1055 1640 1110/520 70	1225 1598 1150/570 70	1164 1612 1150/570 70	1145 1581 950/570 70	1155 1610 950/570 70	1160 1625 1150/570 70	1165 1634 1150/570 70	1280 1652 1150/570 70
ABS with EBD and EBA standard on all versions			ABS with EBD and EBA standard on all versions				
Front discs, rear drums	Front discs, rear discs	Front discs, rear discs	Front discs, rear drums	Front discs, rear drums	Front discs, rear discs	Front discs, rear discs	Front discs, rear discs
Variable power assisted steering			Variable power assisted steering				
3.1 10.2	3.1 10.2	3.1 10.4	3.1 10.2	3.1 10.2	3.1 10.2	3.1 10.2	3.1 10.2
Pseudo MacPherson strut front with deformable beam rear			Pseudo MacPherson strut front with deformable beam rear				
50 (11)			46 (10)				
3941/1728/1538 2466			3941/1728/1538 2466				
300			300				

# CITROËN & YOU

**Finance and Insurance** should reflect you and your needs, just as your chosen car does. Here are the products that aim to do just that.

## CITROËN FINANCIAL SERVICES

### PURCHASE PLAN

Own your vehicle with this flexible package designed to fit your budget.

### ELECT 3

A new Citroën car every two or three years with monthly payments structured to suit your budget.

### ELECT 4

Enjoy the convenience of a new car without the stress and hassle of ownership.

To find out more about Citroën products and services, go to [www.citroen.co.uk](http://www.citroen.co.uk) or contact your Citroën dealer.

## FOR BUSINESS USERS

## CITROËN CONTRACT MOTORING

### HIRE PURCHASE

A tried and tested finance package that allows you to own your vehicle.

### BUSINESS LEASE

An alternative to vehicle ownership that allows you to control your business cash flow and gain tax efficiencies.

### LEASE PURCHASE

Own a vehicle with a finance solution that offers ultimate flexibility to complement your business cash flow.

### CONTRACT HIRE

A non-ownership finance solution that keeps costs fixed and risks low.

For more information on Citroën fleet and business sales, please call Citroën fleet connect on 08457 940 940 or look us up at [www.citroen.co.uk/fleet](http://www.citroen.co.uk/fleet)

## CITROËN INSURANCE

### INSTANT COVER

To help you drive away your new car without delay, we offer Instant Cover insurance, providing you with 7 days comprehensive car insurance, for free!

### MOTOR INSURANCE

Citroën Insurance has been designed specifically for our vehicles. You don't just get repairs you get Citroën expertise, service, quality and parts. So, when the time comes to renew your insurance cover, call Citroën Insurance on 0870 024 2725.

Lines open 8am - 8pm weekdays, 9am - 5pm Saturdays. Max call charge from a BT landline is 8p per minute. Calls from other networks may vary. Alternatively, visit [www.citroen.co.uk](http://www.citroen.co.uk) for more information or to apply online.

Citroën Insurance is underwritten by U K Insurance Limited which is authorised and regulated by the Financial Conduct Authority. Citroën Insurance is a trading style of Banque PSA Finance UK of Quadrant House, Princess Way, Redhill, Surrey, RH1 1QA.

**Care for your Citroën C3** and it will look after you – like every Citroën it's part of legendary engineering heritage with reliability built in.

With the added reassurance of a warranty, routine servicing and maintenance, as well as 24-hour roadside assistance, you are protected.

## CITROËN WARRANTY

Every new Citroën car has the benefit of a 3 year\* warranty package, plus a 12 year anti-perforation\*\* warranty and a 3 year paint warranty.

\* 2 years' unlimited warranty. No-fee customer option of 1 year's Dealer provided warranty, only on cars sourced from Citroën UK Limited. Note: Dealer provided warranty is limited to 60,000 miles for cars.

\*\* Against all internal to external perforation to bodywork or underbody.

## CITROËN ASSISTANCE

In response to a free telephone call in the UK, Citroën Assistance brings rapid expert roadside assistance to you in an emergency. It comes free of charge for a full year and operates 24 hours a day in all parts of the UK and Europe. Services include nationwide recovery for both car and passengers, a home call service, replacement vehicle, hotel accommodation and vehicle storage if required. Please note, Citroën Assistance only applies to incidents covered by the new vehicle warranty, and excludes non-vehicle faults, such as running out of fuel, mis-fuelling, loss of keys, lock-ins, road traffic accidents and punctures/wheel changes.

Full details are available on request from Citroën UK via [cuk\\_contactcentre@citroen.com](mailto:cuk_contactcentre@citroen.com)

## CITROËN MAINTENANCE

From roadside assistance to replacing wear and tear parts or regular servicing, with Citroën Maintenance you have total peace of mind. For a one-off fee or low monthly payment, our experienced engineers will take care of your Citroën, whatever happens.

To find out more, contact your Citroën Dealer or Citroën Authorised Repairer.

## CITROËN SERVICING

Available up to 1 year from your vehicle's registration date, but before its first chargeable service, a Citroën Servicing Package enables you to pay in advance for your vehicle's servicing needs for 3 years/35,000 miles.

For further information, please contact your Citroën Dealer.

# GLOSSARY

## › e-HDi DIESEL ENGINE

The e-HDi 70 ETG engine is capable of 83.1mpg and CO<sub>2</sub> emissions of just 87g/km combined with the EGS gearbox. It has a reversible starter-alternator that works in tandem with an e-booster to provide a seamless Stop & Start function. Going further than other similar systems, the e-HDi's Stop & Start puts the engine into idle mode while decelerating before coming to a complete standstill. This reduces consumption by 15% in urban driving.

## › HIGH-PRESSURE DIRECT INJECTION DIESEL ENGINE

Citroën's HDi diesel engines operate with the fuel under extremely high pressure, enabling microscopically precise injection control. With this level of management it's possible to inject at different times during the same engine stroke allowing total control over the combustion process. This has allowed our engineers to reduce carbon monoxide emissions by 40%, unburned hydrocarbons by 50% and engine particulates by 60%. Fuel consumption is 20% lower than a prechamber diesel engine, resulting in an equivalent reduction in CO<sub>2</sub> emissions and thanks to the torque available at low engine speed it could be argued that driveability is now better than in petrol engined cars.

## › ANTI-LOCK BRAKING SYSTEM (ABS)

Computer-controlled braking assistance designed to prevent the wheels from locking under extreme braking. This enables the car to continue being steered and therefore controlled during this braking incident. The Citroën C3's ABS system is further enhanced with EBA and EBD.

## › ELECTRONIC BRAKEFORCE DISTRIBUTION (EBD)

As drivers we find it difficult to instinctively brake very hard, but this is often what is needed in those rare emergency situations. The EBA system recognises our 'attempt' to brake hard and in combination with the ABS and EBD systems instantly applies the maximum stopping power possible.

## › EMERGENCY BRAKING ASSISTANCE (EBA)

As drivers we find it difficult to instinctively brake very hard, but this is often what is needed in those rare emergency situations. The EBA system recognises our 'attempt' to brake hard and in combination with the ABS and EBD systems instantly applies the maximum stopping power possible.

## › ELECTRONIC STABILITY CONTROL (ESC)

This is computer-controlled traction assistance and is provided primarily through the braking systems. The ESC's control unit constantly compares where the driver intends going (through the position of the steering wheel) with where the vehicle is actually going and, if necessary, makes speed corrections to each wheel individually through braking or engine torque to keep the vehicle 'in line'.

## › ON-BOARD TRIP COMPUTER

The Citroën C3's multi-function on-board trip computer provides you with information at your fingertips. At the touch of a button you can view a range of data like fuel consumption, average speed and mileage possible at your current fuel level.

## › EMYWAY SATELLITE NAVIGATION SYSTEM

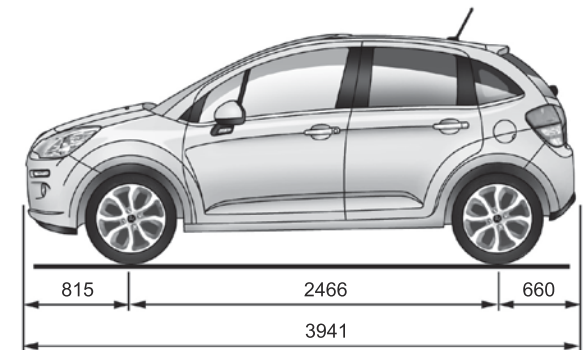
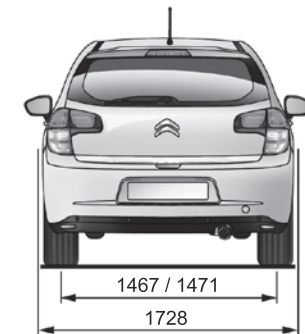
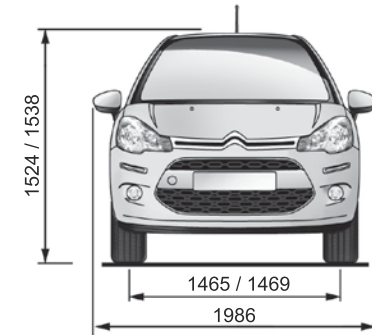
The eMyWay satellite navigation system features a 7" screen and covers UK and Europe. Its in-built memory provides information about speed limits and lets you know which lane to use when reaching complex intersections. The system also lets you adapt your route based on traffic conditions, with data provided by Trafficmaster and ViaMichelin in the UK and France.

## › ISOFIX

A standardised and more simple method for installing child seats, each seat is 'clicked' into place via a three point system. On the Citroën C3, Isofix is installed on the outer rear seats.



# DIMENSIONS



All measurements are in millimetres.

# PRICES

(Models produced from 1 February 2015)



TRIM	ENGINE	CO <sub>2</sub> G/KM	V.E.D. 1 <sup>ST</sup> YEAR RATE	INS. GROUP (1-50)	BASIC R.R.P.	V.A.T.	TOTAL R.R.P.	'ON THE ROAD' R.R.P.*	P11D VALUE	B.I.K. TAX RATE
VT	PureTech 68 manual	99	£0.00	8E	£8,620.83	£1,724.17	£10,345.00	<b>£11,075.00</b>	£11,020.00	12%
	HDi 70 manual	99	£0.00	10E	£10,416.67	£2,083.33	£12,500.00	<b>£13,230.00</b>	£13,175.00	15%
VTR+	PureTech 68 manual	102	£0.00	9E	£9,804.17	£1,960.83	£11,765.00	<b>£12,495.00</b>	£12,440.00	13%
	PureTech 82 manual	107	£0.00	12E	£10,654.17	£2,130.83	£12,785.00	<b>£13,515.00</b>	£13,460.00	14%
	PureTech 82 S&S ETG	99	£0.00	12E	£11,170.83	£2,234.17	£13,405.00	<b>£14,135.00</b>	£14,080.00	12%
	HDi 70 manual	99	£0.00	10E	£11,550.00	£2,310.00	£13,860.00	<b>£14,590.00</b>	£14,535.00	16%
	e-HDi 70 ETG	87	£0.00	10E	£12,066.67	£2,413.33	£14,480.00	<b>£15,210.00</b>	£15,155.00	14%
	e-HDi 90 manual	95	£0.00	18E	£12,216.67	£2,443.33	£14,660.00	<b>£15,390.00</b>	£15,335.00	15%
<b>&gt; Selection</b>	PureTech 82 manual	107	£0.00	12E	£10,945.83	£2,189.17	£13,135.00	<b>£13,865.00</b>	£13,810.00	14%
	e-HDi 90 manual	95	£0.00	18E	£12,508.33	£2,501.67	£15,010.00	<b>£15,740.00</b>	£15,685.00	15%
Exclusive	PureTech 110 S&S manual	107	£0.00	18E	£12,425.00	£2,485.00	£14,910.00	<b>£15,640.00</b>	£15,585.00	14%
	VTi 120 automatic	150	£145.00	19E	£12,812.50	£2,562.50	£15,375.00	<b>£16,250.00</b>	£16,050.00	23%
	e-HDi 90 manual	95	£0.00	18E	£12,925.00	£2,585.00	£15,510.00	<b>£16,240.00</b>	£16,185.00	15%
	BlueHDi 100 manual	87	£0.00	19E	£13,383.33	£2,676.67	£16,060.00	<b>£16,790.00</b>	£16,735.00	14%
	e-HDi 90 ETG6	99	£0.00	18E	£13,441.67	£2,688.33	£16,130.00	<b>£16,860.00</b>	£16,805.00	15%

Insurance groups (1-50) are an indication only, please consult your insurance company for further details.

\* The Manufacturer's 'On The Road' Recommended Retail Price includes the following: Delivery to Dealer and Number Plates £562.50, V.A.T. £112.50, Government First Registration Fee £55 and Graduated Vehicle Excise Duty [See [www.citroen.co.uk/fleet](http://www.citroen.co.uk/fleet) for details].

## CRÉATIVE TECHNOLOGIE

[www.citroen.co.uk](http://www.citroen.co.uk) | CITROËN UK Ltd. Pinley House, 2 Sunbeam Way, Coventry CV3 1ND.

CITROËN prefers TOTAL



This brochure is made from paper from a well-managed forest. Citroën support responsible use of forest resources. Please don't throw me away, give me to a friend or recycle me.

NOTE: Images and specification descriptions are dependent on trim level and options specified. Every endeavour has been made to ensure that the information and details contained in this brochure were accurate at the time of going to press February 2015. However the company reserves the right, whilst preserving the essential characteristics of the models described, to introduce at any time modifications, changes of details, equipment or accessories. Every effort will be made to bring this brochure up to date, but in order to avoid any misunderstandings please consult your Dealer. For full details of Citroën Care for Car and Driver, please see the full manufacturer's price list. The Citroën Website contains full information on all Citroën products and offers available in the UK, together with details of our environmental and recycling policies. The site address is: [www.citroen.co.uk](http://www.citroen.co.uk) or you can contact Citroën directly via [cuk\\_contactcentre@citroen.com](mailto:cuk_contactcentre@citroen.com)