

# LEXUS ES



## LEXUS ES

Exciting Lexus ES Hybrid shatters preconceptions about executive saloons. Benefitting from a brave approach to design, made it lower, wider and sleeker. Combining a stunning coupé-like silhouette with the roominess and refinement of a flagship saloon, the ES delivers elegance and comfort in one exceptional vehicle.

To be the first to hear about the latest new updates on Lexus ES and receive information on our latest Lexus news, offers and events, simply fill in your details in the form, and we'll add you to our mailing list.

**KEEP ME INFORMED**



# GRADE LINE-UP



## ES PREMIUM EDITION

The ES hybrid saloon has an amazing level of equipment as standard.

### VIEW RANGE PRICELIST

#### Equipment Highlights:

- 2.5L 218 DIN hp Self-Charging Hybrid with Automatic Transmission
- 18" Alloy Wheels with Tyre Repair Kit
- Lexus Safety System +
- Bi-LED Headlights with Automatic High Beam (AHB)
- Blind Spot Monitor (BSM) with Rear Cross Traffic Alert and Auto Brake (RCTAB)
- Intelligent Front and Rear Parking Sensors
- Folding, heated and auto dimming door mirrors
- Smart Entry
- Sunroof
- Tahara Man-Made Leather Upholstery
- Heated Front Seats
- 8-Way Electrically Adjustable Front Seats with 2-Way Power Lumbar Support
- Electrically Adjustable Steering Wheel
- Reversing Camera with Back Guidelines
- Lexus Link Pro with 12.3" touchscreen
- Wireless Apple CarPlay® and Android Auto®
- Lexus Link Connected Services
- 10-Speaker Pioneer® Audio System with CD Player
- Wireless telephone charger
- Rain sensing wipers
- Privacy glass
- Cornering lights
- 4 Driving Modes (EV, Normal, Eco, Sport)
- Heated front seats with 8-way electric adjustment and 2-way power lumbar support
- Windscreen de icer



## ES PREMIUM PACK

VIEW RANGE PRICELIST

In addition to ES Premium Edition:

- 3-eye LED headlights with AHS with BladeScan™ technology
- Smooth Leather Upholstery
- Heated and ventilated front seats
- 10-way electric adjustable front seats and headrest with Driver's Memory
- 4-way driver 2-way Passenger Power Lumbar Support
- Heated wooden leather steering wheel
- Auto-folding, reverse tilt, auto-dimming door mirrors with memory function
- 360° Panoramic View Monitor with Pedestrian Alert
- Aluminum Rear Scuff Plates
- Electric Sunshades



## F SPORT

The F SPORT grade encompasses exclusive features that enhance the dynamic styling and driving experience of the ES.

### VIEW RANGE PRICELIST

#### Equipment Highlights (in addition to ES Premium Edition):

- 19" F SPORT Alloy Wheels
- F SPORT Exterior styling, Front grille, & bumper
- F SPORT badging
- 5 Driving Modes (EV, Normal, Eco, Sport, Sport+)
- Lateral Performance Dampers
- Adaptive Variable Suspension (AVS) with Sport S+ Driving Mode
- F SPORT Seats Tahara Man Made Leather Upholstery
- F SPORT Leather Steering Wheel with Paddle Shift and heater
- F SPORT Aluminium Scuff Plates and Pedals
- Auto-folding, reverse tilt, auto-dimming door mirrors with memory function
- Aluminium inlay

#### Takumi Pack:

- 3-eye LED headlights with AHS with BladeScan technology
- Card Key
- Powered tailgate with Kick Sensor function
- Head-up Display (HUD)
- 17 Speakers Mark Levinson® Premium Surround Sound System
- Electric Sun Shades for Rear Screen
- 360° Panoramic View Monitor with Pedestrian Alert



## TAKUMI

The ES that offers the ultimate comfort and executive experience.

### VIEW RANGE PRICELIST

#### Equipment Highlights (in addition to ES Premium Pack):

- 18" Takumi Design Alloy Wheels
- Card Key
- Semi-aniline Leather Upholstery
- 4 way Power and Lumbar Support for Driver and Passenger
- Sunshade for rear screen and rear side windows
- Head-up display (HUD)
- Powered tailgate with Kick Sensor function
- 17 Speakers Mark Levinson® Sound System
- 360° Panoramic View Monitor with Pedestrian Alert

#### Options:

- Digital Door Mirrors

#### Digital Door Mirrors

The system replaces conventional door mirrors with compact, external, high-resolution cameras linked to in-car monitors. These provide an enhanced view of the area behind and immediately alongside the vehicle in all driving conditions. The cameras almost completely eliminate blind spots and adapt automatically to give an extended view when car is turning or reversing.



# COLOUR AND TRIMS



## INTERIOR COLOURS AND TRIMS

Seat Colour	Seat Material	Inlay	Code	ES Premium Edition	Premium Pack	F SPORT	Takumi
Ammonite Sand	Tahara*	Black Grain	LA00	○	-	-	-
Black	Tahara*	Black Grain	LA20	○	-	-	-
Hazel	Tahara*	Black Grain	LA40	○	-	-	-
Forest Brown	Tahara*	Black Grain	LA70	○	-	-	-
Ammonite Sand	Smooth Leather	Black Open Pore Walnut	LB01	-	○	-	-
Ammonite Sand	Smooth Leather	Bamboo	LB02	-	○	-	-
Ammonite Sand	Smooth Leather	Brown Open Pore Walnut	LB03	-	○	-	-
Black	Smooth Leather	Black Open Pore Walnut	LB21	-	○	-	-
Hazel	Smooth Leather	Black Open Pore Walnut	LB41	-	○	-	-
Hazel	Smooth Leather	Brown Open Pore Walnut	LB43	-	○	-	-
Forest Brown	Smooth Leather	Black Open Pore Walnut	LB71	-	○	-	-
Forest Brown	Smooth Leather	Bamboo	LB72	-	○	-	-
Black	Tahara*	Aluminium	LF24	-	-	○	-
Flare Red	Tahara*	Aluminium	LF25	-	-	○	-
White	Tahara*	Aluminium	LF26	-	-	○	-
Ammonite Sand	Semi-Aniline Leather	Black Open Pore Walnut	LC01	-	-	-	○
Ammonite Sand	Smooth Leather	Bamboo	LC02	-	-	-	○
Ammonite Sand	Smooth Leather	Brown Open Pore Walnut	LC03	-	-	-	○
Black	Semi-Aniline Leather	Black Open Pore Walnut	LC21	-	-	-	○
Hazel	Semi-Aniline Leather	Black Open Pore Walnut	LC41	-	-	-	○
Hazel	Semi-Aniline Leather	Brown Open Pore Walnut	LC43	-	-	-	○
Forest Brown	Semi-Aniline Leather	Black Open Pore Walnut	LC71	-	-	-	○
Forest Brown	Semi-Aniline Leather	Bamboo	LC72	-	-	-	○

\*Tahara man-made leather

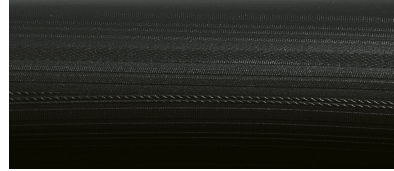
○ : Available    - : Not available



Black Interior



Ammonite Sand



Black Grain



Forest Brown Interior



Hazel Interior



Black Open Pore Walnut



Black F SPORT Interior



White F SPORT Interior



Aluminium



Flare Red F SPORT Interior



Medium Brown Bamboo





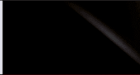









Brown Open Pore Walnut



See the full list of features available in Lexus ES.

[CONFIGURE YOUR LEXUS ES](#)

## EXTERIOR COLOURS

Type	Colour		Code	Non F SPORT	F SPORT
Solid	Velvet Black		212	○	○
	F SPORT White		083	-	○
Metallic	Graphite Black		223	○	○
	Mesa Red		3R1	○	○
	Ice Ecu		4X8	○	-
	Sunlight Green		6X0	○	○
	Deep Blue		8X5	○	-
Special Metallic	Sonic White		085	○	-
	Sonic Titanium		1J7	○	○
	Sonic Grey		1L1	○	○
	Sonic Platinum		1L2	○	○
	Azure Blue		8X1	-	○

○ : Available    - : Not available



# FULL SPECIFICATIO N



## ACTIVE SAFETY AND DRIVING DYNAMICS

	ES Premium Edition	ES Premium Pack	F SPORT	Takumi
Vehicle Dynamic Integrated Management (VDIM)	■	■	■	■
Anti-lock Braking System (ABS)	■	■	■	■
Auto Glide Control (AGC)	■	■	-	-
Active Cornering Assist (ACA)	■	■	■	■
Electronic Brake force Distribution (EBD)	■	■	■	■
Electronically Controlled Brake system (ECB)	■	■	■	■
Electronic parking brake	■	■	■	■
Traction Control (TRC)	■	■	■	■
Vehicle Stability Control (VSC)	■	■	■	■
Electric Power Steering (EPS)	■	■	■	■
Hill-start Assist Control (HAC)	■	■	■	■
Lexus Safety System+ consisting of: - Dynamic Radar Cruise Control (DRCC) - Pre-Collision System (PCS) Day and Night - Lane Tracing Assist (LTA) with Corner Speed Control - Road Sign Assist (RSA) - Automatic High Beam (AHB)	■	■	■	■
Adaptive High Beam System (AHS) - replaces AHB	-	-	□ <sup>1</sup>	■
Blind Spot Monitor with Rear Cross Traffic and Auto Brake	■	-	■	■
Self-Charging Hybrid	■	■	■	■
4 driving modes: EV, Normal, Eco, Sport	■	■	-	■
5 driving modes: EV, Normal, Eco, Sport, Sport +	-	-	■	-
Adaptive Variable Suspension (AVS)	-	-	■	-
Lateral performance dampers	-	-	■	-
Active Noise Control (ANC)	■	-	■	■
Tyre Pressure Warning System (TPWS) with auto location	■	■	■	■

## PASSIVE SAFETY

		ES Premium Edition	ES Premium Pack	F SPORT	Takumi
Driver and front passenger 2-stage airbags	2	■	■	■	■
Driver and front passenger knee airbags	2	■	■	■	■
Driver and front passenger side airbags	2	■	■	■	■
Rear passenger seat side airbags	2	■	■	■	■
Curtain shield airbags (front and rear)	2	■	■	■	■
Front passenger airbag cut-off switch	Total airbags 10	■	■	■	■
Front and rear 3-point seatbelts with pre-tensioners, force limiter, tension reducer and Emergency Locking Retractor (ELR)		■	■	■	■
Centre rear seatbelt: 3-point with Emergency Locking Retractor (ELR)		■	■	■	■
Adjustable seat belt anchor points		■	■	■	■
2 x ISOFIX child rear seat restraints		■	■	■	■

- Available as standard
- <sup>1</sup> Takumi Pack
- Available as part of a pack
- Available as an option.
- Not available.

**FIND A CENTRE**

## SECURITY

	ES Premium Edition	ES Premium Pack	F SPORT	Takumi
Alarm/Anti-theft (with siren and 2 sensors)	■	■	■	■
Engine immobiliser	■	■	■	■
Two motion door lock: double lock	■	■	■	■
Speed sensitive auto door lock	■	■	■	■
Card key (in addition to standard keys)	-	-	□ <sup>1</sup>	■
VIN etching	■	■	■	■
Locking wheel nuts (Thatcham approved)	■	■	■	■

## INTERIOR COMFORT AND CONVENIENCE

	ES Premium Edition	ES Premium Pack	F SPORT	Takumi
Push button start	■	■	■	■
Smart entry and start system	■	■	■	■
Drive mode select controller	-	■	-	-
Auto-dimming rear view mirror	■	■	■	■
Front passenger seat shoulder switch	-	-	-	■
Easy entry and exit facility (steering wheel tilt and telescopic)	■	■	-	-
Easy entry and exit facility (seat slide, steering wheel tilt and telescopic)	■	■	■	■
Power adjustable steering wheel with paddle shifts (with Lock Protect)	■	■	■	■
Heated F SPORT steering wheel with paddle shifts	-	-	■	-
Heated wood and leather steering wheel	■	■	-	■
Gear stick: leather trim	■	■	-	■
Gear stick: F SPORT perforated leather trim	-	-	■	-
LED ambient lighting	■	■	-	■
Analogue clock with GPS function and illumination	■	■	■	■
Dual zone climate control air conditioning system with Nanoe technology	■	-	■	-
2-zone climate control air conditioning system with Nanoe technology and control panel in rear armrest	-	■	-	-
3-zone climate control air conditioning system with Nanoe technology and control panel in rear armrest	-	-	-	■
Black grain inlay	■	■	-	-
Black open pore walnut inlay	■	■	-	■
Brown open pore walnut inlay	■	■	-	○
Bamboo inlay	-	-	-	○
Hadori Aluminium inlay	-	-	■	-
Aluminium sport accelerator pedal, brake and foot rest	-	-	■	-
Aluminium front scuff plates with Lexus logo	■	■	■	■
Aluminium rear scuff plates	■	■	■	■
Electric sun shade for rear screen	■	■	□ <sup>1</sup>	■
Electric sun shade for rear screen and manual on rear side windows	■	■	-	■
Textile carpet mats	■	■	■	■

- Available as standard
- <sup>1</sup> Takumi Pack
- Available as part of a pack
- Available as an option.
- Not available.

## STORAGE

	ES Premium Edition	ES Premium Pack	F SPORT	Takumi
Front centre armrest with storage	■	■	■	■
Rear centre armrest with storage	■	■	■	■
4 cup holders: 2 in centre console and 2 in rear centre armrest	■	■	■	■
Small item storage next to the front cup holder	■	■	■	■
Card holder installed in the drivers and passengers sun visors	■	■	■	■
Door pockets front and rear	■	■	■	■
Luggage net hooks and grocery bag hooks in the luggage compartment	■	■	■	■
Luggage compartment side storage under deck board	■	■	■	■

## SEATS

	ES Premium Edition	ES Premium Pack	F SPORT	Takumi
Tahara man-made leather upholstery	■	■	-	-
F SPORT seats: Tahara man-made leather upholstery	-	-	■	-
Smooth leather upholstery	□ <sup>1</sup>	■	-	-
Semi-Aniline leather upholstery	-	-	-	■
8-way electrically adjustable front seats, including headrest	■	■	■	-
10-way electrically adjustable front seats, including headrest	-	■	-	■
Heated front seats	■	■	■	■
Ventilated front seats	-	■	-	■
Heated rear seats	-	-	-	■
Driver's seat memory	-	■	■	-
Driver and passenger's seat memory	-	-	-	■
Power lumbar support (Driver and Passenger: 2-way)	■	■	■	-
Power lumbar support (Driver: 4-way, Passenger: 2-way)	-	■	-	-
Power lumbar support (Driver: 4-way, Passenger: 4-way)	-	-	-	■
Fixed rear seat with trunk through	■	■	■	-
Reclining power rear seat with trunk through	-	-	-	■

■ Available as standard      □<sup>1</sup> Takumi Pack

□ Available as part of a pack

○ Available as an option.

- Not available.

## LIGHTS

	ES Premium Edition	ES Premium Pack	F SPORT	Takumi
LED day time running lights	■	■	■	■
Bi-LED Headlights with Automatic High Beam (AHB)	■	■	■	-
3-Eye LED headlights with Adaptive High Beam System (AHS) and BladeScan™	-	■	□ <sup>1</sup>	■
Cornering lights	■	■	■	■
Headlight cleaners	■	■	■	■
Follow me home headlights	■	■	■	■
LED rear lights	■	■	■	■
Auto levelling headlights	■	■	■	■
Lane change flasher function	■	■	■	■

## EXTERIOR

	ES Premium Edition	ES Premium Pack	F SPORT	Takumi
Sunroof	■	■	■	■
Rain-sensing wipers	■	■	■	■
Intelligent parking assist sensors, 4 x front and 4 x rear (with brake function)	■	■	■	-
Intelligent parking assist sensors, 4 x front and 4 x rear (with brake function & rear pedestrian detection)	-	-	□ <sup>1</sup>	■
Door mirrors: aspherical, auto-dimming, heated, electrically folding	■	■	-	-
Door mirrors: aspherical, auto-dimming, heated, auto-folding with Reverse Tilt and memory functions	-	■	■	■
F SPORT exterior styling (front and rear bumpers, F SPORT badge, mesh grille, Jet black plating)	-	-	■	-
Rear spoiler	■	■	■	■
Acoustic (noise reducing) front windscreen	■	■	■	■
Front windscreen de-icer	■	■	■	■
Green UV glass with water repellent coating on front side windows	■	■	■	■
Privacy glass	■	■	■	■
Front and rear electric windows with up & down jam protect.	■	■	■	■
Hands-free power back door with kick sensor	-	-	□ <sup>1</sup>	■

■ Available as standard      □<sup>1</sup> Takumi Pack

□ Available as part of a pack

○ Available as an option.

- Not available.

## AUDIO, COMMUNICATION & INFORMATION

	ES Premium Edition	ES Premium Pack	F SPORT	Takumi
Wireless Apple CarPlay® and Wired Android Auto®	■	■	■	■
Lexus Link Connected Services	■	■	■	■
DAB Radio	■	■	■	■
Lexus Link Pro	■	■	■	■
10-speaker Pioneer® audio including 1-CD	■	■	■	-
17-speaker Mark Levinson® Premium Surround Sound System	-	-	□ <sup>1</sup>	■
Lexus Link Pro with 12.3" touchscreen	■	■	■	■
Reversing camera with guidelines	■	■	■	-
360° Panoramic View Monitor with Pedestrian Alert	-	■	□ <sup>1</sup>	■
2 Front USB (1 USB A & 1 USB C)	■	■	■	■
2 USB ports for charging in rear of centre console	■	■	■	■
AUX socket	■	■	■	■
12V accessory connectors (1 front & 1 rear)	■	■	■	■
Wireless smartphone charger	■	■	■	■
Bluetooth® connectivity	■	■	■	■
Head-Up Display (HUD)	-	-	□ <sup>1</sup>	■

- Available as standard      □<sup>1</sup> Takumi Pack
- Available as part of a pack
- Available as an option.
- Not available.

## WHEELS

	ES Premium Edition	ES Premium Pack	F SPORT	Takumi
18" alloy wheels (235/45R18)	■	■	-	-
19" alloy wheels with F SPORT design (235/40R19)	-	-	■	-
18" alloy wheels (235/45R18)- High	-	-	-	■
Tyre repair kit	■	■	■	■

## OPTIONS

	ES Premium Edition	ES Premium Pack	F SPORT	Takumi
Takumi Pack <ul style="list-style-type: none"> <li>• 17-speaker Mark Levinson® Premium Surround Sound System</li> <li>• Head-Up Display (HUD)</li> <li>• Electric Sun Shades for Rear Screen</li> <li>• Hands-free Power Back Door with Kick Sensor</li> <li>• 360° Panoramic View Monitor with Pedestrian Alert</li> <li>• Card Key</li> <li>• 3 eye LED headlights with BladeScan™ Technology</li> <li>• Heated steering wheel</li> <li>• Rain sensing windscreen wipers</li> <li>• Windscreen de icer</li> </ul>	-	-	○	-
Digital Door Mirrors	-	-	-	○
Special Metallic Paint	○	○	○	○
Metallic Paint	○	○	○	○

# LEXUS LINK



Lexus Link transforms your vehicle into a connected car.

This mobile app offers access to a suite of services such as Find My Car, Online Service Booking, Share to Car and Hybrid Coaching.

Getting started is easy. Register with Lexus Link on the Lexus website or by downloading the app to your smart phone device.



## KEY FEATURES

- **Hybrid Coaching** – Personalised and contextualised coaching to help you maximise your eco driving performance by spending more time in Electric Vehicle mode, helping reduce both harmful emissions and fuel consumption.
- **Find My Car** – Locates your Lexus and guides you back to it through your preferred navigation app.
- **Online Service Booking** – Helps you manage the care of your new Lexus.
- **Send to Car** – Lets you plan a route on another device and send it to your Lexus.
- **Last Mile Guidance** – Guides you on foot to your final destination once you are parked.

For the latest features consult with your Lexus Centre or visit here:

LEXUS OWNERS



HYBRID COACHING



SHARE TO CAR

# ACCESSORIES



## ACCESSORIES

Accessory Pack	Description	ES	F SPORT	Takumi
<b>Illuminated Scuff Plates</b>	This pair of illuminated scuff plates not only helps to protect your door sill from scratches, also adds illumination to give your vehicle a subtle stylish look and feel.	○	○	-
<b>Front and Rear-Facing Dash Cam</b>	The front and rear dash cam features 1080p HD cameras and comes with a SD card that recycles the storage space on its own, giving you the extra peace of mind when driving on the road.	○	○	○
<b>Front-Facing Dash Cam</b>	The front dash cam features a 1080p HD camera and comes with a SD card that recycles the storage space on its own, giving you the extra peace of mind when driving on the road.	○	○	○

[FOR FURTHER INFORMATION OF ACCESSORIES AVAILABLE CLICK HERE](#)

\* Please visit your local Lexus Centre for more information.

■ : Available as standard

○ : Available as an option

# TECHNICAL DATA



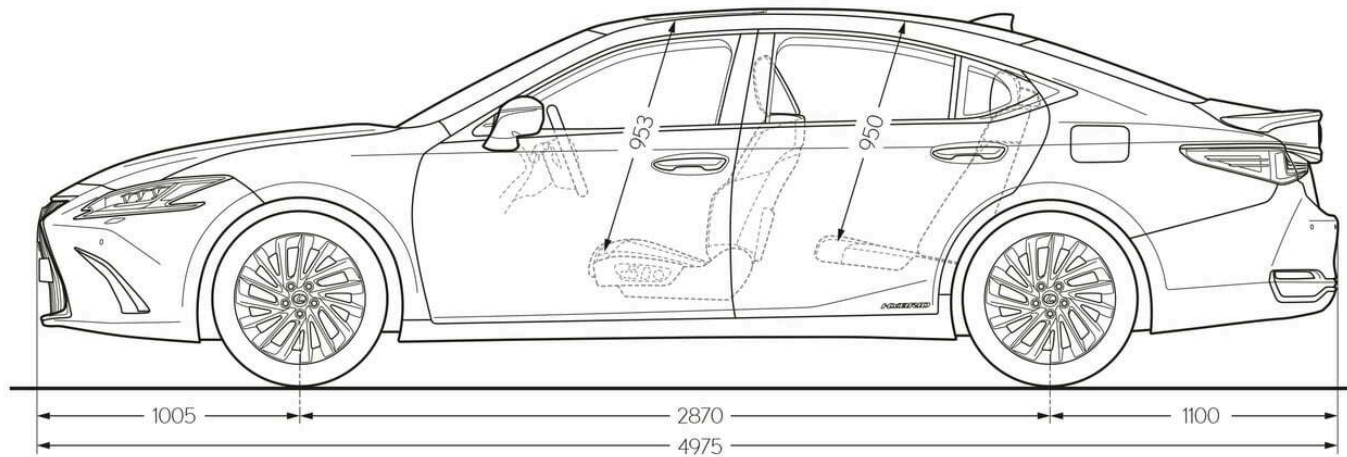
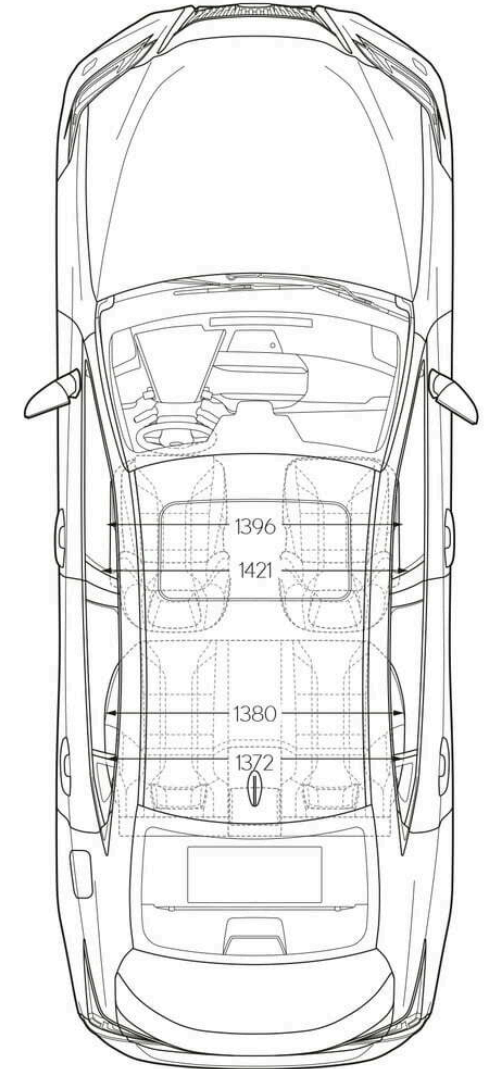
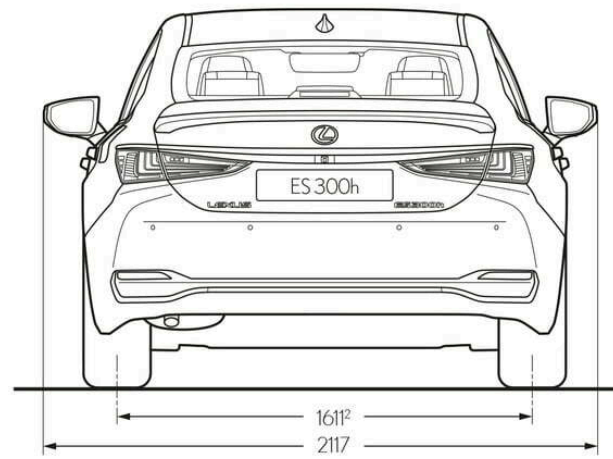
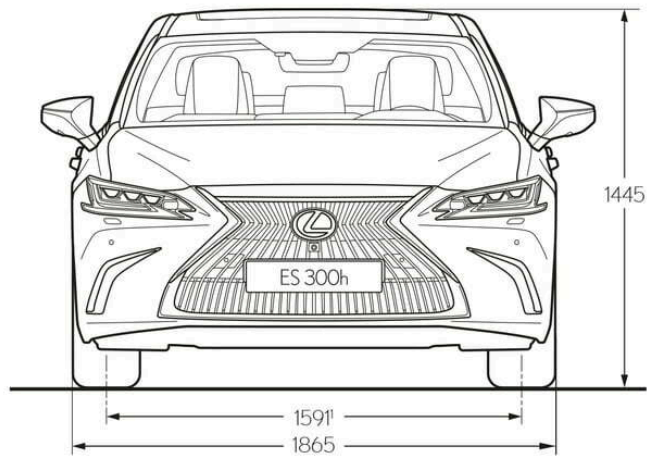
		ES(All Grades)
TOTAL SYSTEM OUTPUT (ENGINE AND ELECTRIC MOTOR MAXIMUM)	Maximum output (DIN-hp / kW)	218/160
ENGINE	Capacity (cm <sup>3</sup> )	2487
	Cylinders / Valves	In Line 4 / 16
	Maximum output (DIN-hp / kW @ RPM)	178/131 @ 5,700
	Maximum torque (Nm @ RPM)	221 @ 3,600-5,200
FRONT ELECTRIC MOTOR	Motor type	A/C permanent magnet synchronous motor
	Maximum output (DIN-hp / kW)	120/88
	Maximum torque (Nm)	202
ELECTRIC GENERATOR	Generator type	A/C permanent magnet synchronous motor
	Maximum voltage (V)	650
HYBRID BATTERY	Type	Nickel-Metal hydride
	Number of battery cells	204
	Nominal Battery voltage (V)	244.8
	System voltage (V)	244.8
TRANSMISSION	Transmission type	Automatic: Electronic - Continuously Variable Transmission (E-CVT)
	Driven wheels	Front-Wheel Drive (FWD)
PERFORMANCE	Maximum speed mph (km/h)	112 (180)
	Acceleration 0-62 mph (s)	8.9
INSURANCE GROUP RATING		31E-36E
FUEL CONSUMPTION (WLTP†)	Combined mpg (l/100km)	52.3 (5.4) - 53.2 (5.3)

		18" Alloy Wheels	19" Alloy Wheels
EMISSIONS (WLTP†)	Emissions level	6D ISC-FCM	
	CO <sub>2</sub> Combined (g/km)	120-121	122-123
TYRES AND WHEELS	Tyre size (front)	235/45R18	235/40R19
	Tyre size (rear)	235/45R18	235/40R19
	Wheel size	18 x 8J	19 x 8J
	Tyre Repair Kit	Standard	
	Tyre pressure warning system	Standard	
DIMENSIONS AND WEIGHTS	Fuel tank capacity (l)	50	
	Length (mm)	4975	
	Width (mm)	1865	
	Height (mm)	1445	
	Luggage compartment (VDA Method) (l)	454	
	Minimum ground clearance (mm)	150	
	Gross vehicle weight (kg)	2150	
	Kerb weight (min.-max.) (kg)	1680 - 1740	
	Roof rail Maximum load (Kg)	0	
	Towing capacity with brakes (kg)	Towing is prohibited	
	Towing capacity without brakes (kg)	Towing is prohibited	
Drawbar load (Nose weight)	Towing is prohibited		

†Figures are provided for comparability purposes; only compare fuel consumption and CO<sub>2</sub> figures with other cars tested to the same technical procedures. These figures may not reflect real life driving results. Fuel consumption and CO<sub>2</sub> produced varies significantly depending on a number of factors, including the accessories fitted (post-registration), driving style, conditions, speed and vehicle load. All models and grades are certified according to the World Harmonised Light Vehicle Test Procedure (WLTP). All mpg and CO<sub>2</sub> figures quoted are full WLTP figures. For more information on WLTP and specific vehicle types see <https://www.lexus.co.uk/wltp>. More information on WLTP in general can be found by visiting: [www.vehicle-certification-agency.gov.uk/fcb/wltp.asp](http://www.vehicle-certification-agency.gov.uk/fcb/wltp.asp)

# DIMENSIONS





<sup>1</sup> Figure quoted is for ES models equipped with 18" or 19" alloy wheels. For models equipped with 17" wheels, the figure is 1601.

<sup>2</sup> Figure quoted is for ES models equipped with 18" or 19" alloy wheels. For models equipped with 17" wheels, the figure is 1621.

Please note: the dimensions illustrated / noted are measured in millimetres.

EXPERIENCE  
LEXUS  
SELF-  
CHARGING  
HYBRID





## START UP, DRIVING OFF

When starting off and at lower speed, the electric motor propels the ES with electric power being supplied from the hybrid battery. At this point the saloon is almost silent, uses no petrol and produces zero emissions.

## NORMAL DRIVING CONDITIONS

At higher speeds the petrol engine cuts in, almost silently, but still receives assistance from the electric motor when required. Through the near-perfect distribution of its dual-power sources, Lexus Hybrid Drive provides exceptional driving comfort – together with lower emissions and fuel consumption.



## FULL THROTTLE ACCELERATION

Accelerate powerfully and the electric motor instantaneously supplements the 2.5-litre petrol engine. This delivers a surge of torque to provide smooth, powerful linear acceleration precisely when you need it.

## DECELERATION, STOPPING, REGENERATIVE BRAKING

When decelerating or coming to a halt, the petrol engine turns off, cutting emissions to zero. Brake, or take your foot off the accelerator, and regenerative braking harnesses the kinetic energy lost in other cars. It converts this into electrical energy for storage in the hybrid battery, which is why a Lexus Self-Charging Hybrid is always ready to go.

# ADDITIONAL BENEFITS



### **3 Years' Free Lexus Roadside Assistance**

Whatever the situation, when you're driving your Lexus, we're just one call away with expert support at the roadside 24 hours a day, every day of the year.

3 years from initial purchase of new vehicle 24 hours a day, 365 days a year assistance anywhere in the UK.

### **Home Start**

One in four breakdowns happen at the home address. Home Start allows you to enjoy all the benefits of Lexus Roadside Assistance from your home address.

### **Personal assistance**

Lexus Roadside Assistance is designed to look after you – not just your vehicle. So even if you are a passenger in someone else's car you can still receive Lexus Roadside Assistance.

### **Hotel accommodation**

If a replacement vehicle is unavailable, we will arrange a hotel for you and your family for up to £150 per person to a maximum of £500, for one night.

### **Onward travel**

If a replacement vehicle is unavailable and you would like to make your own travel arrangements following a breakdown, we will reimburse the cost of this up to £150 per person, to a maximum of £500.

### **European travel**

If you travel across Europe your Roadside Assistance will travel with you, whether you are driving your Lexus or another car.

### **Medical assistance**

If the driver of the car is certified ill, we will take you and your passengers to any single destination in the UK.

### **Lost or broken keys**

If you lose or break your keys, Lexus Roadside Assistance will arrange for recovery of your vehicle to a local Lexus Centre. You will be responsible, however, for the cost of replacement keys.

# TERMS & CONDITIONS



## TERMS & CONDITIONS

Vehicles in the Lexus range come with high specifications as standard. As a result, the 'on the road' price\* includes not only all those items generally offered as extras, but also many advanced features exclusive to Lexus.

Details of the extensive technical specifications and interior appointments of each model are described fully in the main brochures. Whichever model you choose, you can look forward to a standard of After Sales service that's second to none, provided by a network of Lexus Centres individually selected for their exemplary record in customer care. Some Lexus vehicles (including certain specifications and colour/trim combinations) are built to order and could take approximately 2 to 3 months from time of purchase to delivery. For detailed information on lead times, please consult your local Lexus Centre.

## WARRANTIES

### THREE-YEAR COMPREHENSIVE WARRANTY

Any defect that is attributable to a manufacturing or an assembly defect under normal use is covered by your warranty. This provision applies for a period of three years or 60,000 miles, whichever comes first, with no mileage limit for the first year. In the event of a breakdown immobilising your Lexus, the cost of recovering it to the nearest Lexus Centre is also covered if that breakdown is the result of a warrantable defect.

### GET UP TO 10 YEARS/100,000 MILES LEXUS WARRANTY\*

Every new Lexus comes with a 3 year manufacturer warranty followed by a 12 months / 10,000 miles additional warranty, with every qualifying service.

\*Terms and conditions apply.

For full details, please ask your official Lexus Centre, or visit [lexus.co.uk/lexus-warranty](https://lexus.co.uk/lexus-warranty)

### FIVE-YEAR HYBRID COMPONENT WARRANTY

For hybrid models, certain components within the hybrid drivetrain system have a five-year or 60,000 miles warranty, whichever comes first. For more information please contact your local Lexus Centre.

### THREE-YEAR SURFACE RUST AND PAINTWORK WARRANTY

The warranty offers three years of cover for surface rust and paint defects appearing on any of the painted body panels due to a fault in material or workmanship. There is no mileage restriction on this.

### 12-YEAR CORROSION PERFORMANCE WARRANTY

A 12-year unlimited mileage warranty covers the vehicle against rust perforation through any sheet metal body panel (subject to certain exclusions specified in the warranty booklet) occurring as a result of a manufacturing or assembly defect in the vehicle. The warranty booklet

supplied with each new vehicle gives full details. This warranty is also transferable to subsequent owners.

### HYBRID BATTERY WARRANTY COVER AND HYBRID HEALTH CHECK (HHC)

A Hybrid Health Check is included in all services for hybrid vehicles, where a technician will test the entire hybrid system and provide a written report. With each Hybrid Health Check, the customer will receive an extra 1 year or 10,000 mile (whichever comes sooner) hybrid battery warranty extension, until the vehicle is 15 years old. An annual Hybrid Health Check is free of charge as part of any Lexus Service. If a service isn't due for a while, a standalone Hybrid Health Check is available for just £59 to offer peace of mind.

## SERVICE PLANS

Service plans are a flexible way of managing the cost of servicing your Lexus. With a service plan you can ensure that your vehicle is maintained to the standards you would expect from Lexus-trained technicians fitting the highest quality Lexus parts\*\*. The Approved Pre-Owned service package can be tailored to your needs. Please contact your local Lexus Centre for a quote.

## QUOTED MPG FIGURES

\*Figures are provided for comparability purposes; only compare fuel consumption and CO<sub>2</sub> figures with other cars tested to the same technical procedures. These figures may not reflect real life driving results. Fuel consumption and CO<sub>2</sub> produced varies significantly depending on a number of factors, including the accessories fitted (post-registration), driving style, conditions, speed and vehicle load.

All models and grades are certified according to the World Harmonised Light Vehicle Test Procedure (WLTP). All mpg and CO<sub>2</sub> figures quoted are full WLTP figures. For more information on WLTP and specific vehicle types see <https://www.lexus.co.uk/wltp>.

More information on WLTP in general can be found by visiting: <http://www.vehicle-certification-agency.gov.uk/fcb/wltp.asp>.

## LEXUS FINANCIAL SERVICES

Lexus Financial Services offers an extensive range of finance products, including Lexus Connect – Contract Purchase, Lexus Connect Personal Contract Purchase and Lexus Connect – Contract Hire. Products that offer a combination of benefits designed to make acquiring a Lexus as easy as driving one. Whether you are a private motorist looking for the most flexible, affordable options or a business wishing to boost cash flow and tax-efficiency, our finance products provide attractive, refined solutions. Your Lexus Centre will be happy to discuss the full range of financing options available and create a finance quotation that is right for you. When you choose to go ahead your Lexus Centre will arrange your application. Delivering complete customer satisfaction underpins everything we do at Lexus, so once you commence an agreement with us, you can rest assured that our team of UK-based customer service representatives are only a phone call away if you have any queries. **Finance Subject to status to over 18s. Indemnities may be required. T&Cs apply.**

\*'On the road' price comprises list price, £700 delivery charge, £26 number plate allowance (all inclusive of VAT) plus 12 months Vehicle Excise Duty (variable, depending on model) and £55 Vehicle First Registration Fee.

\*\*The service plans exclude cambelt/timing chain changes.

