

# M-Class price list

Effective from 1 April 2012



Mercedes-Benz

# Contents

Model prices	5	AMG optional equipment	26
Finance offers	6	Colours and materials	32
Standard features	8	Technical specifications	36
Standard equipment	10	Road Fund Licence	40
Wheels	13	Services and benefits	41
Optional equipment	15	Mercedes-Benz Finance	42
AMG standard equipment	22		

# The hard facts to melt your heart

At Mercedes-Benz we appreciate the importance of detail. Over the following pages you'll find model prices and a breakdown of standard and optional equipment, as well as details of the comprehensive services and benefits that are available to every Mercedes-Benz driver.

**See Mercedes-Benz in a new light.** Now is the time to get yourself behind the wheel of an M-Class. Choose from a number of attractive finance offers. Please see pages 6-7 for further details, or visit [www.mercedes-benz.co.uk/offers](http://www.mercedes-benz.co.uk/offers)

Of course, some things have to be experienced to be truly appreciated, such as the qualities that set a Mercedes-Benz apart. Which is why we'd like to invite you for a test drive at your local Mercedes-Benz Retailer. Alternatively, you can make arrangements by visiting [www.mercedes-benz.co.uk/testdrive](http://www.mercedes-benz.co.uk/testdrive)

For more information visit [www.mercedes-benz.co.uk](http://www.mercedes-benz.co.uk) or call 0808 156 6606.



# Model prices

Model	Technical data	Transmission	CO <sub>2</sub>	Basic RRP excl. VAT (£)	Total RRP incl. VAT (£)	Road Fund Licence (£) <sup>1</sup>	Rec. OTR price (£) <sup>2</sup>
<b>ML 250 BlueTEC Sport</b>	Diesel – 2,143 cc, 4-cylinder, 204 hp/150 kW	7G-Tronic Plus 7-speed automatic	165	37,137.50	44,565.00	170.00	45,380.00
<b>ML 350 BlueTEC Sport</b>	Diesel – 2,987 cc, 6-cylinder, 258 hp/190 kW	7G-Tronic Plus 7-speed automatic	189	39,487.50	47,385.00	460.00	48,490.00
<b>AMG</b>							
<b>ML 63 AMG</b>	Petrol – 5,461 cc, 8-cylinder, 525 hp/386 kW	AMG Speedshift Plus 7G-Tronic 7-speed automatic	276	67,766.67	81,320.00	1,030.00	82,995.00

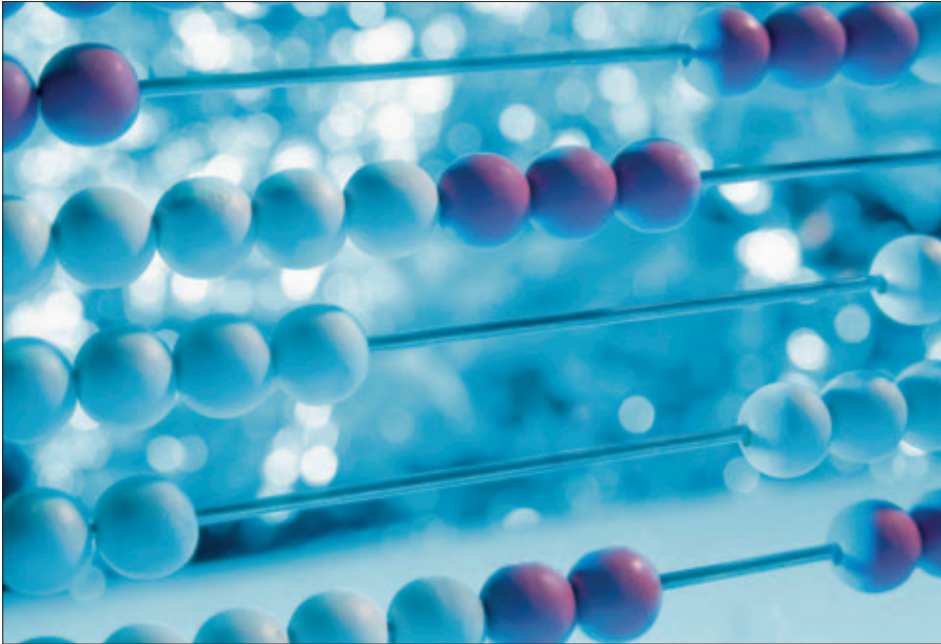
<sup>1</sup>A different first year rate of Vehicle Excise Duty (Road Fund Licence) applies for new cars. Please refer to page 40 for the relevant rate for the second and subsequent years

<sup>2</sup>Recommended on-the-road price: these prices reflect the Road Fund Licence applicable to the standard model plus £645.00 additional costs necessary to put your car on the road.

Included are a standard UK delivery charge (£515.00 incl. VAT), new vehicle registration fee (£55.00), number plates (£25.00 incl. VAT) and fuel (£50.00 incl. VAT). VAT is calculated at the standard rate of 20%

# Mercedes-Benz Finance

It comes with a specification list worth exploring



## ML 250 BlueTEC Sport with 7G-Tronic automatic transmission, metallic paint and COMAND (representative example)

36 monthly payments of**	£569.00
On-the-road price	£46,130.00
Customer deposit	£7,569.48
Duration of agreement	36 months
Optional purchase payment†	£23,825.00
Acceptance fee	£180.00
Purchase activation fee‡	£95.00
Amount of credit	£38,560.52
Total amount payable††	£52,153.48
Representative APR	6.5% APR
Fixed interest rate	6.06%

### Example offer – 6.5% APR Representative

	Metallic	Automatic	COMAND	On-the-road price	Customer deposit	36 monthly payments of**
ML 350 BlueTEC Sport	●	●	●	£49,240.00	£7,848.74	£619.00

● Standard and optional equipment included in the price

### Mercedes-Benz Service Care

- Mercedes-Benz trained Technicians
- Maintained by Mercedes-Benz Official Workshops
- Meets requirements of Mercedes-Benz Agility finance agreement

### Mercedes-Benz Motor Insurance

- 24 hours, seven days a week UK accident recovery
- Only genuine Mercedes-Benz parts used
- To qualify for up to 10% discount go to [www.mercedes-benz.co.uk/motorinsurance](http://www.mercedes-benz.co.uk/motorinsurance)
- Alternatively, call Mercedes-Benz Motor Insurance now on **0845 600 2180\*** for an annual quote

We may decline to quote in some circumstances. Cover not available in Northern Ireland. Mercedes-Benz Motor Insurance is underwritten by Aviva Insurance UK Limited.

Whilst these offers are only available with Mercedes-Benz Finance, our Mercedes-Benz Retailers do arrange finance on behalf of other finance companies as well.

This finance campaign is available on new M-Class ML 250 BlueTEC and ML 350 BlueTEC models only, with COMAND, ordered/credit approved between 1 April and 30 June 2012 and registered by 30 September 2012

† Payable if you exercise the option to purchase the car †† Includes optional purchase payment, purchase activation fee and retailer deposit contribution

\*\*Based on a Mercedes-Benz Agility agreement and 10,000 miles per annum. Excess mileage charges may apply. Quotations available on request for alternative contract lengths and mileages. Guarantees and indemnities may be required. Terms and conditions apply. Credit provided, subject to status, by Mercedes-Benz Financial Services UK Ltd, MK7 8ND ‡ Please speak to your Mercedes-Benz Retailer for payment terms and suitable cover periods \*Calls are charged at local rate and may be recorded

# Standard features



Sports steering wheel and stainless steel pedals with rubber studs



Attention Assist



LED rear lights



Sports seats in Dinamica/Artico artificial leather upholstery



Audio 20 radio/CD



Door sill panels with 'Mercedes-Benz' lettering

The new M-Class Sport is quite a head turner. It now boasts an even sleeker, sportier look as it comes with all-round AMG bodystyling and eye-catching 19" AMG 5-spoke alloy wheels. This athletic look is underscored by stainless steel simulated underguards, aluminium-finish roof rails and body-coloured side trim panels. Privacy glass from the B-pillar backwards completes the look. Once inside, the M-Class Sport delivers on its sporty credentials with the 4-spoke sports steering wheel with perforated grip areas, rubber-studded stainless steel sports

pedals and black floor mats with leather edging and 'Mercedes-Benz' badges. The beauty within, however, has to be the upholstery: sports seats in Black Dinamica/Artico artificial leather. The standard Audio 20 radio/CD with Becker® Map pilot navigation ensures you find the best route to your destination. For added comfort, the M-Class Sport is easy to park with the standard Active Park Assist. It doesn't just pick the right parking spot, but will also guide you in with ease.

#### EXTERIOR

---

19" AMG 5-spoke alloy wheels

---

AMG bodystyling – front apron, rear apron and side skirts

---

Active Park Assist including Parktronic

---

Direct steering

---

Easy-Pack powered tailgate – opens and closes automatically

---

LED daytime running lights

#### INTERIOR

---

Automatic climate control

---

Becker® Map Pilot navigation system

---

Door centre panels with ribbed design in Artico artificial leather

---

Front seats – full electric adjustment and four-way electric lumbar support

---

Split folding rear seats 1/3:2/3 with manual back adjustment

---

Sports seats with Dinamica/Artico artificial leather

#### TRIM AND UPHOLSTERY

---

Brushed aluminium




---

Dinamica/Artico artificial leather



# Standard equipment

Item	ML 250 BlueTEC Sport	ML 350 BlueTEC Sport
<b>TRANSMISSION AND SUSPENSION</b>		
7G-Tronic Plus 7-speed automatic transmission with steering column gear selector, steering wheel gear shift paddles (Direct Select) and Speedtronic cruise control	●	●
ECO start/stop function	●	●
Off-road switch – primes systems for off-road driving	–	●
Permanent four-wheel drive	●	●
Steel suspension – lowered	●	–
Steel suspension	–	●
<b>EXTERIOR</b>		
AMG bodystyling – front apron, rear apron and side skirts	●	●
Active Park Assist including Parktronic	●	●
Ambient lighting on underside of door mirrors	●	●
Diesel particulate filter	●	●
Direct steering	●	●
Door mirrors – electrically operated and heated	●	●
Easy-Pack powered tailgate – opens and closes automatically	●	●
Headlamps – halogen	●	●
LED daytime running lights	●	●
LED tail lights	●	●
Privacy glass – dark glass from B-pillar backwards	●	●

● Standard ○ Optional – Not available

Item	ML 250 BlueTEC Sport	ML 350 BlueTEC Sport
<b>EXTERIOR</b>		
Radiator grille with three chromed louvres	●	●
Rain-sensing wipers	●	●
Rear bumper with integrated reflectors	●	●
Rear screen wash/wiper	●	●
Roof rails – aluminium finish	●	●
Scratch guard on load compartment sill – chrome	●	●
Simulated underguard – stainless steel finish, front and rear	●	●
Space-saver spare wheel – steel	●	●
Tinted glass – green	●	●
<b>INTERIOR</b>		
12 V socket in load compartment and passenger compartment, front and rear	●	●
Automatic climate control	●	●
Centre armrests – front (with storage) and rear	●	●
Cup holders – front (2) and rear (2)	●	●
Door centre panels with ribbed design in Artico artificial leather	●	●
Electric windows (4)	●	●
Front seats – full electric adjustment (backrest, height and longitude). Four-way electric lumbar support for driver's seat	●	●





Item	ML 250 BlueTEC Sport	ML 350 BlueTEC Sport
<b>INTERIOR (CONTINUED)</b>		
Load-securing rings (4)	●	●
Luggage compartment cover	●	●
Outside temperature gauge	●	●
Reading lights, front and rear	●	●
Service indicator ASSYST	●	●
Split folding rear seats – 1/3:2/3, with manual back adjustment	●	●
Sports seats with Dinamica/Artico artificial leather	●	●
Sports pedals – stainless steel with rubber studs	●	●
Sports steering wheel – multi-function 4-spoke, trimmed in nappa leather with perforated grip areas	●	●
Steering column – manually adjustable for height and reach	●	●
Sun visors with illuminated vanity mirrors	●	●
<b>PAINT, TRIM AND UPHOLSTERY</b>		
Metallic paint	●	●
Trim – brushed aluminium	●	●
Upholstery – Dinamica/Artico artificial leather	●	●
Velour floor mats – black, with nubuck leather edging and Mercedes-Benz brushed metal badge with matt finish	●	●




Item	ML 250 BlueTEC Sport	ML 350 BlueTEC Sport
<b>SECURITY AND SAFETY</b>		
Active Bonnet – pedestrian safety measure	●	●
Adaptive brake lights	●	●
Airbags – driver and front passenger	●	●
Airbags – front sidebags	●	●
Airbags – windowbags	●	●
Alarm system with immobiliser and interior protection (MBSS3)	●	●
Anti-lock braking system (ABS) with Brake Assist (BAS)	●	●
Attention Assist – monitors steering behaviour and can help to alert to long journey fatigue	●	●
Automatic child seat recognition sensor Works in conjunction with Mercedes-Benz child seats fitted with transponder	●	●
Downhill Speed Regulation (DSR) with switch and variable speed control	●	●
Electric parking brake	●	●
Electronic Stability Programme (ESP®) with Acceleration Skid Control (ASR)	●	●
ESP® Trailer Stability Assist	●	●
First-aid kit and warning triangle	●	●
Four-wheel Electronic Traction System (4ETS)	●	●
Headlamp Assist – automatic headlamp activation	●	●
High-level third brake light	●	●

Item	ML 250 BlueTEC Sport	ML 350 BlueTEC Sport
<b>SECURITY AND SAFETY (CONTINUED)</b>		
Hill Start Assist	●	●
ISOFIX and top-tether child seat fixing points in outer rear seats	●	●
Manually adjustable head restraints – front and rear	●	●
Pre-Safe® anticipatory safety system	●	●
Remote central locking	●	●
Seat belt pre-tensioners and force limiters – front and outer rear seats	●	●
Sports brakes with 18"/19" brake discs – perforated, with caliper covers	●	●
Tyre pressure loss warning system	●	●

Item	ML 250 BlueTEC Sport	ML 350 BlueTEC Sport
<b>COMMUNICATIONS AND IN-CAR ENTERTAINMENT</b>		
Audio 20 radio with 5.8-inch colour display, single CD drive (MP3 compatible), 8 speakers and telephone keypad	●	●
Aux-in socket and USB port in centre armrest	●	●
Becker® Map Pilot navigation system Navigation is enabled on Audio 20 display and controlled using central controller dial and steering wheel controls. Map Pilot hardware plugs into socket in the glove compartment	●	●
Bluetooth® interface for hands-free telephony	●	●
Central controller dial to operate audio functions and telephone (when connected)	●	●

# A revolution in style

Item	Notes		780	●	●	-	Basic RRP excl. VAT (£)	Total RRP incl. VAT (£)
WHEELS			ML 250 BlueTEC Sport	ML 350 BlueTEC Sport	ML 63 AMG			
19" AMG alloy wheels (4) – 5-spoke design 255/50 tyres			780	●	●	-	-	-
20" AMG alloy wheels (4) – 5-spoke design 265/45 tyres			758	○	○	-	725.00	870.00
21" AMG alloy wheels (4) – 5-twin-spoke design 265/40 tyres	Only in conjunction with AirMATIC air suspension (code 489)		757	○	○	-	1,245.83	1,495.00

Item	Notes		778	-	-	●	Basic RRP excl. VAT (£)	Total RRP incl. VAT (£)
WHEELS (CONTINUED)			ML 250 BlueTEC Sport	ML 350 BlueTEC Sport	ML 63 AMG			
20" AMG alloy wheels (4) – 5-spoke design 265/45 tyres			778	-	-	●	-	-
21" AMG alloy wheels (4) – 5-twin-spoke design 295/35 tyres			798	-	-	○	712.50	855.00

# Optional equipment



Ambient interior lighting with a choice of three colours



Active Blind Spot Assist increases safety during lane changes



Panoramic glass sunroof



Night View Assist Plus



Intelligent Light System with bi-xenon headlamps



COMAND Online system with Internet capability

Item	Notes			Basic RRP excl. VAT (£)	Total RRP incl. VAT (£)
		ML 250 BlueTEC Sport	ML 350 BlueTEC Sport		
<b>SUSPENSION AND EXTERIOR</b>					
<b>Active Curve System</b> With active suspension stabilisers	Only in conjunction with AirMATIC air suspension (code 489) and tyre pressure monitoring system (code 475)	468	- ○	2,700.00	3,240.00
<b>AirMATIC air suspension</b> With level adjustment and Adaptive Damping System		489	○ ○	1,479.17	1,775.00
<b>Intelligent Light System</b> Including bi-xenon headlamps, Active Light System, automatic headlamp range adjustment, cornering light function, headlamp wash and Adaptive High Beam Assist		P35	○ ○	1,358.33	1,630.00
<b>On- &amp; Off-Road Package</b> Including drive programme switch and animation in COMAND Online display, manual mode for automatic transmission, 100% differential locks on centre differential, front and rear axles with adaptive 4ETS, off-road ratio, underbody protection under engine, reinforced underfloor panelling as well as special off-road algorithm for ABS, ETS, ESP® and air suspension	Only in conjunction with AirMATIC air suspension (code 489) and COMAND Online systems (code 512 or 527)	430	○ ○	1,654.17	1,985.00
<b>Fuel tank – 93-litre</b>	Replaces standard 70-litre fuel tank	915	○ ○	87.50	105.00
<b>Reversing camera</b>	Only in conjunction with COMAND Online systems (code 512 or 527)	218	○ ○	350.00	420.00
<b>Running boards – aluminium finish with rubber studs</b>	Lower colour-coded side trim is replaced with black trim	846	○ ○	412.50	495.00
<b>Tow bar, manually folding with electric release</b>	Only available in conjunction with 93-litre fuel tank (code 915) on ML 350 BlueTEC Sport. When ordering this option, please discuss with your Retailer any specific towing requirements	550	○ ○	791.67	950.00

Item	Notes			ML 250 BlueTEC Sport	ML 350 BlueTEC Sport	Basic RRP excl. VAT (£)	Total RRP incl. VAT (£)
<b>PAINT, TRIM AND UPHOLSTERY</b>							
Paint – Diamond White metallic		799	○	○		679.17	815.00
Roof lining in <i>designo</i> Black fabric	Not in conjunction with Almond Beige leather (code 205)	Y90	○	○		308.33	370.00
Trim – Anthracite Poplar wood		729	○	○		316.67	380.00
Trim – Brown Burr Walnut wood		731	○	○		316.67	380.00
Trim – Brown Eucalyptus wood		734	○	○		175.00	210.00
Trim – Brown Open-pore Ash wood		H09	○	○		316.67	380.00
Trim – <i>designo</i> Black Piano Lacquer wood	Not in conjunction with wood- and leather-trimmed steering wheel (code 289)	W69	○	○		1,308.33	1,570.00
Upholstery – leather	When choosing optional leather upholstery, the interior differs from the standard specification Sport interior. The four-spoke steering wheel, seats and door centre panels are in a different design; the sports pedals are replaced and the 'Mercedes-Benz'-badged floor mats removed. The exception to this is if Black nappa leather (code 801) is selected, in which case the Sport interior remains unchanged	'	○	○		895.83	1,075.00
Upholstery – two-tone leather		'	○	○		1,112.50	1,335.00
Upholstery – nappa leather		801	○	○		1,612.50	1,935.00
<i>designo</i> wood- and leather-trimmed steering wheel	Only in conjunction with <i>designo</i> trim in Black Piano Lacquer wood (code W69). Not in conjunction with wood- and leather-trimmed steering wheel (code 289), Almond Beige or Alpaca Grey upholstery (codes 205 and 208)	Y95	○	○		870.83	1,045.00
Wood- and leather-trimmed steering wheel	Only in conjunction with wood trims (codes 734, 731, 729 and H09). Not in conjunction with heated multi-function steering wheel (code 443) or Dinamica/Artico artificial leather (code 601) or nappa leather upholstery (code 801)	289	○	○		512.50	615.00

Item	Notes			Basic RRP excl. VAT (£)	Total RRP incl. VAT (£)
		ML 250 BlueTEC Sport	ML 350 BlueTEC Sport		
<b>COMFORT</b>					
<b>Memory Package</b> Front seats, front head restraints, steering column and exterior door mirrors – electrically adjustable with memory. Additional four-way electric lumbar support for front passenger seat		P64	○ ○	775.00	930.00
<b>Mirror Package</b> Automatically dimming rear-view and driver's door mirrors and electrically folding exterior mirrors		P49	○ ○	470.83	565.00
<b>Ambient lighting – choice of three colour settings</b>		876	○ ○	304.17	365.00
<b>Ashtray and cigarette lighter</b>	Replaces storage compartments in front and rear and 12V socket in front	301	○ ○	41.67	50.00
<b>Cup holder – temperature-controlled</b>	Not in conjunction with Keyless-Go (code 889)	311	○ ○	183.33	220.00
<b>Dashboard – upper and lower sections, beltline and door panels in Artico artificial leather with top-stitching</b>		U09	○ ○	787.50	945.00
<b>Easy-Pack load-securing kit</b>		942	○ ○	258.33	310.00
<b>Electric glass sunroof</b>		414	○ ○	1,012.50	1,215.00
<b>Front seats – comfort-ventilated</b>	Leather on front seats is perforated when this option is chosen. Only with leather upholstery. Not with Dinamica/Artico artificial leather (code 601) or nappa leather upholstery (code 801)	401	○ ○	920.83	1,105.00
<b>Front seats – heated</b>	Not in conjunction with comfort-ventilated front seats (code 401)	873	○ ○	295.83	355.00
<b>Heated windscreen wash system</b>		875	○ ○	150.00	180.00
<b>Keyless-Go</b> Includes door handles with chrome inlay		889	○ ○	775.00	930.00

Item	Notes	ML 250	Blue	TEC	Sport	Basic RRP excl. VAT (£)	Total RRP incl. VAT (£)
COMFORT (CONTINUED)		ML 250	Blue	TEC	Sport		
<b>Luxury automatic climate control</b> Multi-zone function with separate air distribution settings for driver, front passenger and rear. Three different climate modes: focused, medium and diffuse		581	○	○		583.33	700.00
<b>Multi-function steering wheel – heated</b>	Only in conjunction with Memory Package (code P64) and heated front seats (code 873) or comfort-ventilated front seats (code 401). Not available in conjunction with wood- and leather-trimmed steering wheel (code 289)	443	○	○		229.17	275.00
<b>Panoramic glass sunroof with interior sun blind</b>		413	○	○		1,529.17	1,835.00
<b>Rear seats – heated</b>	Only with heated front seats (code 873) or comfort-ventilated front seats (code 401)	872	○	○		295.83	355.00
<b>Sun visors – double for driver and front passenger</b>		543	○	○		83.33	100.00
<b>Through-loading facility</b> Above rear armrest		282	○	○		166.67	200.00
<b>SECURITY AND SAFETY</b>							
<b>Lane-Tracking Package</b> Includes Blind Spot Assist and Lane-Keeping Assist	Only in conjunction with Mirror Package (code P49). Not in conjunction with heated multi-function steering wheel (code 443) or Driving Assistance Package (code 23P)	22P	○	○		654.17	785.00
<b>Driving Assistance Package</b> Includes Active Blind Spot Assist, Active Lane-Keeping Assist and DISTRONIC Plus with Pre-Safe® Brake	Only in conjunction with Mirror Package (code P49). Not in conjunction with Lane-Tracking Package (code 22P)	23P	○	○		1,958.33	2,350.00

Item	Notes			Basic RRP excl. VAT (£)	Total RRP incl. VAT (£)
		ML 250 BlueTEC Sport	ML 350 BlueTEC Sport		
<b>SECURITY AND SAFETY (CONTINUED)</b>					
Night View Assist Plus	Only in conjunction with Intelligent Light System (code P35) and COMAND Online systems (code 512 or 527)	610	○ ○	1,087.50	1,305.00
Airbags – rear sidebags		293	○ ○	295.83	355.00
Fire extinguisher		682	○ ○	104.17	125.00
Tyre pressure monitoring system		475	○ ○	266.67	320.00
<b>COMMUNICATIONS AND IN-CAR ENTERTAINMENT</b>					
<b>Audio 20 with Media Interface and 6-disc CD changer</b> Integrated CD changer (6-disc) with MP3 compatibility. Media Interface allows connection and control of portable media devices (e.g. MP3 player, USB storage media). Cables included for aux-in, USB or iPod® connectivity		510	○ ○	454.17	545.00
<b>COMAND Online system with Media Interface</b> Includes radio, single CD, 7-inch colour display, hard disk drive (HDD) navigation with 3D map display and TMC (Traffic Message Channel), Speed Limit Assist, Linguatronic voice control in centre console and in-car Internet access (Internet-enabled mobile phone required). Also includes SD card slot, 10GB music register and MP3 compatibility. Media Interface allows connection and control of portable media devices (e.g. MP3 player, USB storage media). Cables included for aux-in, USB or iPod® connectivity	DVD function is audio and video capable. Region 2 DVDs only. Online services through customer's mobile phone. Replaces Becker® Map Pilot navigation system. COMAND Online services are only available once a mobile phone is connected via Bluetooth®. Please see <a href="http://www.mercedes-benz.com/connect">www.mercedes-benz.com/connect</a> for a list of compatible phones and functionality. Before attempting to connect to COMAND Online we would advise that you contact your mobile phone service provider to confirm your mobile phone profile and data charges for tethered Internet access	527	○ ○	1,775.00	2,130.00

Item	Notes	512	○	○	Basic RRP excl. VAT (£)	Total RRP incl. VAT (£)
<b>COMMUNICATIONS AND IN-CAR ENTERTAINMENT (CONTINUED)</b>						
<b>COMAND Online system with Media Interface and integrated 6-disc CD changer</b>		512	○	○	2,037.50	2,445.00
<b>DAB digital radio tuner</b>	Only in conjunction with Audio 20 with 6-disc CD changer (code 510) or COMAND Online systems (code 512 or 527)	537	○	○	358.33	430.00
<b>Rear seat entertainment system</b> Two 8-inch screens mounted on the back of front head restraints, single DVD player, two sets of wireless headphones and remote control	Only in conjunction with Memory Package (code P64). TV reception available in conjunction with TV tuner (code 863)	864	○	○	1,695.83	2,035.00
<b>Surround sound system – Harman Kardon® Logic 7® with Dolby Digital 5.1 and DTS</b> 14 high-performance speakers and additional amplifier	Only in conjunction with Audio 20 with 6-disc CD changer (code 510) or COMAND Online systems (code 512 or 527)	810	○	○	733.33	880.00
<b>Telephone pre-wiring with hands-free facility</b> A separate cradle for your mobile phone needs to be ordered as an accessory from your Retailer	Works in conjunction with the multi-function steering wheel and display. The phone cradle is mounted in the front centre armrest. It is recommended that a compatible handset is sourced prior to ordering a cradle	386	○	○	341.67	410.00
<b>TV tuner – with analogue and digital reception capabilities</b>	Only in conjunction with COMAND Online systems (code 512 or 527)	863	○	○	862.50	1,035.00
<b>SERVICE PACKAGE</b>						
<b>Service Care</b> Service Care allows you to spread the cost of servicing your new car in the Mercedes-Benz Official Workshop network. Taking out a Service Care plan ensures your servicing needs are taken care of by fully-trained Mercedes-Benz Technicians with the added benefit of a Mercedes-Benz Official Workshop service history	Price is based on a monthly rate. Example given is for two services taken over 24 months, three services over 36 months or four services over 48 months. Further payment options are available. New Service Care prices apply only to vehicles up to 12 months old prior to first service		○	○	27.50	33.00

## Straight from the heart



Few names ignite the passions of a performance enthusiast like that of AMG. Through a long line of memorable racing successes and even more memorable road cars, AMG has won countless fans and earned a reputation for the very best in high-performance motoring.

It's a reputation the current AMG models can only enhance. With their breathtaking performance and excellent road manners, they make every journey an occasion to savour.

# AMG standard equipment

## Item

### TRANSMISSION AND SUSPENSION

AMG Speedshift Plus 7G-Tronic 7-speed automatic transmission with Speedtronic cruise control

AMG sports suspension

Active Curve System

AirMATIC air suspension

ECO start/stop function

Permanent four-wheel drive

### EXTERIOR

'V8 BITURBO' lettering on front wings

AMG bodystyling with exclusive ML 63 AMG front, rear aprons and side skirts

AMG door sill panels in brushed stainless steel

AMG LED daytime running lights

AMG sports exhaust system with two chromed twin tailpipes

Active Park Assist including Parktronic

Ambient lighting on underside of door mirrors

Direct steering

Door mirrors – electrically operated, heated, automatically dimming and folding

## Item

Easy-Pack powered tailgate – opens and closes automatically

Electric glass sunroof

Heated windscreen wash system

Intelligent Light System

Including bi-xenon headlamps, Active Light System, automatic headlamp range adjustment, cornering light function, headlamp wash and Adaptive High Beam Assist

LED tail lights

Privacy glass

Radiator grille with three chromed louvres

Rain-sensing wipers

Rear bumper with integrated reflectors

Rear screen wash/wiper

Roof rails – aluminium finish

Scratch guard on load compartment sill – chrome

Simulated underguard, front and rear – stainless steel finish

Space-saver spare wheel – steel

Tinted glass – green

## Item

## INTERIOR

---

 AMG brushed stainless steel sports pedals with rubber studs
 

---



---

 AMG instrument cluster with animated start-up sequence and AMG main menu
 

---



---

 AMG Performance steering wheel – multi-function 4-spoke, trimmed in nappa leather with perforated grip areas, flattened bottom section and silver-coloured gear shift paddles
 

---



---

 AMG sports seats with leather upholstery
 

---



---

 12 V socket in load compartment and passenger compartment, front and rear
 

---



---

 Automatically dimming rear-view mirror
 

---



---

 Centre armrests – front (with storage) and rear
 

---



---

 Cup holders – front (2) and rear (2)
 

---



---

 Door centre panels in Artico artificial leather
 

---



---

 Electric windows (4)
 

---



---

 Front seats – full electric adjustment (backrest, height and longitude) and four-way electric lumbar adjustment
 

---



---

 Front seats – heated
 

---



---

 Load-securing rings (4)
 

---



---

 Luggage compartment cover
 

---



---

 Luxury automatic climate control
 

---

Multi-zone function with separate air distribution settings for driver/front passenger and rear. Three different climate modes: focused, medium and diffuse

---



---

 Outside temperature gauge
 

---

## Item

---

 Reading lights, front and rear
 

---



---

 Service indicator ASSYST
 

---



---

 Split folding rear seats – 1/3:2/3, with manual back adjustment
 

---



---

 Steering column – manually adjustable for height and reach
 

---



---

 Sun visors with illuminated vanity mirrors
 

---



---

 Tyre pressure monitoring system
 

---

## PAINT, TRIM AND UPHOLSTERY

---

 AMG floor mats
 

---



---

 Dashboard – upper and lower sections, beltline and door panels in Artico artificial leather with top-stitching
 

---



---

 Paint – metallic
 

---



---

 Trim – brushed aluminium
 

---



---

 Upholstery – leather
 

---

## SECURITY AND SAFETY

---

 AMG high-performance braking system
 

---



---

 Adaptive brake lights
 

---



---

 Airbags – driver and front passenger
 

---

## Item

**SECURITY AND SAFETY (CONTINUED)**

---

**Airbags – front sidebags**

---

---

**Airbags – windowbags**

---

---

**Alarm system with immobiliser and interior protection (MBSS3)**

---

---

**Anti-lock braking system (ABS) with Brake Assist (BAS)**

---

---

**Attention Assist – monitors steering behaviour and can help to alert to long journey fatigue**

---

---

**Automatic child seat recognition sensor**

Works in conjunction with Mercedes-Benz child seats fitted with transponder

---

---

**Downhill Speed Regulation (DSR) with switch and variable speed control**

---

---

**Electric parking brake**

---

---

**Electronic Stability Programme (ESP®) with Acceleration Skid Control (ASR)**

---

---

**ESP® Trailer Stability Assist**

---

---

**First-aid kit and warning triangle**

---

---

**Four-wheel Electronic Traction System (4ETS)**

---

---

**Headlamp Assist – automatic headlamp activation**

---

---

**High-level third brake light**

---

---

**Hill Start Assist**

---

---

**ISOFIX and top-tether child seat fixing points in outer rear seats**

---

---

**Manually adjustable head restraints – front and rear**

---

---

**Pre-Safe® anticipatory safety system**

---

## Item

---

**Remote central locking**

---

---

**Seat belt pre-tensioners and force limiters – front and outer rear seats**

---

---

**Tyre pressure monitoring system**

---

**COMMUNICATIONS AND IN-CAR ENTERTAINMENT**

---

**Bluetooth® interface for hands free telephony**

---

---

**Central controller dial to operate audio functions and telephone (when connected)**

---

---

**COMAND Online system with Media Interface**

Includes radio, single CD, 7-inch colour display, hard disk drive (HDD) navigation with 3D map display and TMC (Traffic Message Channel), Speed Limit Assist, Linguatronic voice control in centre console and in-car Internet access (Internet-enabled mobile phone required). Also includes SD memory card slot, 10 GB music register and MP3 compatibility. Media Interface allows connection and control of portable media devices (e.g. MP3 player, USB storage media). Cables included for aux-in, USB or iPod® connectivity

---

---

**DAB – digital radio tuner**

---

# AMG optional equipment

Item	Notes		Basic RRP excl. VAT (£)	Total RRP incl. VAT (£)
<b>AMG PERFORMANCE STUDIO</b>				
<b>AMG Performance Package</b> Includes power upgrade by 32 hp (24 kW)/60 Nm, AMG carbon-fibre engine cover, AMG Performance steering wheel (code 281) and red-painted brake calipers		P30	5,137.50	6,165.00
<b>AMG Driver's Package</b> Includes an increase in the electronically-limited top speed and attendance at an AMG 'Power and Passion' driving event		250	2,350.00	2,820.00
<b>AMG Performance steering wheel in Dinamica/nappa leather</b>	Included with AMG Performance Package (code P30). Not in conjunction with wood- and leather-trimmed steering wheel (code 289) or <i>designo</i> wood- and leather-trimmed steering wheel (code Y95)	281	350.00	420.00
<b>SUSPENSION AND EXTERIOR</b>				
<b>Reversing camera</b>		218	350.00	420.00
<b>Running boards – aluminium finish with rubber studs</b>	Please note the lower colour-coded side trim is replaced with black trim	846	412.50	495.00
<b>Tow bar, manually folding with electric release</b>	When ordering this option, please discuss with your Retailer any specific towing requirements	550	791.67	950.00

Item	Notes	Basic RRP excl. VAT (£)	Total RRP incl. VAT (£)	
<b>PAINT, TRIM AND UPHOLSTERY</b>				
<p><b><i>designo</i> Exclusive leather upholstery</b>            Consisting of:            Seat and door centre panels in chosen <i>designo</i> leather colour with <i>designo</i> badges in front and rear seat backrests            Armrests in doors and centre console and handrest in chosen <i>designo</i> leather colour            Dashboard and door beltlines trimmed in Black nappa leather            Floor mats with edging in <i>designo</i> Black leather and <i>designo</i> metal badges            Roof lining in Black Dinamica            Double sun visors (code 543)</p> <p>Available in:  <i>designo</i> Marron X06  <i>designo</i> Black X11  <i>designo</i> Porcelain X27</p>	Based on Black leather (code 201). Only in conjunction with Memory Package (code P64)	1	3,787.50	4,545.00
<b><i>designo</i> trim in Black Piano Lacquer wood</b>	Not in conjunction with wood- and leather-trimmed steering wheel (code 289)	Y95 W69	1,308.33	1,570.00
<b><i>designo</i> wood- and leather-trimmed steering wheel</b>	Only in conjunction with <i>designo</i> trim in Black Piano Lacquer wood (code W69). Not in conjunction with wood- and leather-trimmed steering wheel (code 289), Almond Beige or Alpaca Grey upholstery (codes 205 and 208). Replaces AMG Performance steering wheel in Dinamica/nappa leather (code 281) when ordered with AMG Performance Package (code P30)	Y95	870.83	1,045.00

Item	Notes		Basic RRP excl. VAT (£)	Total RRP incl. VAT (£)
PAINT, TRIM AND UPHOLSTERY (CONTINUED)				
Paint – Diamond White metallic		799	697.17	815.00
Roof lining in <i>designo</i> Black fabric	Not in conjunction with Almond Beige leather upholstery (code 205)	Y90	308.33	370.00
Trim – Anthracite Poplar wood		729	316.67	380.00
Trim – Brown Burr Walnut wood		731	316.67	380.00
Trim – Brown Eucalyptus wood		734	175.00	210.00
Trim – Brown Open-pore Ash wood		H09	316.67	380.00
Upholstery – two-tone leather		-	220.83	265.00
Wood- and leather-trimmed steering wheel	Only in conjunction with wood trim (codes 729, H09, 731 and 734)	289	512.50	615.00

Item	Notes		Basic RRP excl. VAT (£)	Total RRP incl. VAT (£)
<b>COMFORT</b>				
<b>Memory Package</b> Front seats, front head restraints, steering column and exterior door mirrors – electrically adjustable with memory		P64	775.00	930.00
<b>Ambient lighting – choice of three colour settings</b>		876	304.17	365.00
<b>Ashtrays and cigarette lighter</b>	Replace storage compartments in front and rear and 12V socket in front	301	41.67	50.00
<b>Cup holder – temperature-controlled</b>	Not in conjunction with Keyless-Go (code 889)	311	183.33	220.00
<b>Easy-Pack load-securing kit</b>		942	258.33	310.00
<b>Front seats – comfort-ventilated</b>	Leather on front seats is perforated when this option is chosen. Only in conjunction with Memory Package (code P64)	401	625.00	750.00
<b>Keyless-Go</b> Includes door handles with chrome inlay		889	775.00	930.00
<b>Panoramic glass sunroof with interior sun blind</b>		413	516.67	620.00
<b>Rear seats – heated</b>		872	295.83	355.00
<b>Sun visors – double, for driver and front passenger</b>		543	83.33	100.00
<b>Through-loading facility</b> Above rear armrest		282	166.67	200.00

Item	Notes		Basic RRP excl. VAT (£)	Total RRP incl. VAT (£)
<b>SECURITY AND SAFETY</b>				
<b>Driving Assistance Package</b> Includes Active Blind Spot Assist, Active Lane-Keeping Assist and DISTRONIC Plus with Pre-Safe® Brake	Not in conjunction with Lane-Tracking Package (code 22P)	23P	1,958.33	2,350.00
<b>Lane-Tracking Package</b> Includes Blind Spot Assist and Lane-Keeping Assist	Not in conjunction with heated multi-function steering wheel (code 443) or Driving Assistance Package (code 23P)	22P	654.17	785.00
<b>Airbags – rear sidebags</b>		293	295.83	355.00
<b>Fire extinguisher</b>		682	104.17	125.00
<b>Night View Assist Plus</b> Pedestrian detection system		610	1,087.50	1,305.00

Item	Notes		Basic RRP excl. VAT (£)	Total RRP incl. VAT (£)
<b>COMMUNICATIONS AND IN-CAR ENTERTAINMENT</b>				
<b>COMAND Online system with integrated 6-disc changer</b>		512	262.50	315.00
<b>Rear seat entertainment system</b> Two 8-inch screens mounted on the back of front head restraints, single DVD player, two sets of wireless headphones and remote control	Only in conjunction with Memory Package (code P64). TV reception available in conjunction with TV tuner (code 863)	864	1,695.83	2,035.00
<b>Surround sound system – Harman Kardon® Logic 7® with Dolby Digital 5.1 and DTS</b> 14 high-performance speakers and additional amplifier		810	733.33	880.00
<b>Telephone pre-wiring with hands-free facility</b> A separate cradle for your mobile phone needs to be ordered as an accessory from your Retailer	Works in conjunction with the multi-function steering wheel and display. The phone cradle is mounted in the front centre armrest. It is recommended that a compatible handset is sourced prior to ordering a cradle	386	341.67	410.00
<b>TV tuner – with analogue and digital reception capabilities</b>		863	862.50	1,035.00

# Colours and materials

## METALLIC PAINTS



197 Obsidian Black



755 Tenorite Grey



792 Palladium Silver



796 Citrine Brown



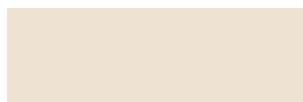
359 Tansanite Blue



775 Iridium Silver



794 Pearl Beige

799 Diamond White<sup>1</sup>

<sup>1</sup>Additional-cost option Please note that, owing to limitations of the printing process, paint colours may differ from those shown

**DINAMICA/ARTICO<sup>1</sup>**  
(standard on Sport)



601 Black

**LEATHER**  
(std on ML 63 AMG, opt. on Sport)



201 Black<sup>2</sup>



205 Almond Beige<sup>2</sup>



208 Alpaca Grey<sup>2</sup>

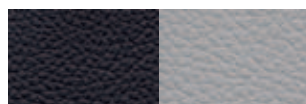
**TWO-TONE LEATHER**  
(optional)



254 Black/Tobacco Brown<sup>2</sup>



255 Black/Almond Beige<sup>2</sup>



258 Black/Alpaca Grey<sup>2</sup>

**NAPPA LEATHER**  
(optional on Sport only)

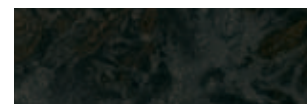


801 Black

**TRIM**



739 Brushed aluminium



729 Anthracite Poplar wood<sup>3</sup>



731 Brown Burr Walnut wood<sup>3</sup>



734 Brown Eucalyptus wood<sup>3</sup>



H09 Brown Open-pore Ash wood<sup>3</sup>

<sup>1</sup>Artificial leather

<sup>2</sup>When choosing optional leather upholstery, the interior differs from the standard specification Sport interior. The four-spoke steering wheel, seats and door centre panels are in a different design; the sports pedals are replaced and the 'Mercedes-Benz'-badged floor mats removed. The exception to this is if Black nappa leather (code 801) is selected, in which case the Sport interior remains unchanged



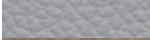





<sup>3</sup>Optional

# Trim and upholstery combinations

	DINAMICA/ARTICO <sup>1</sup>	LEATHER			TWO-TONE LEATHER			NAPPA LEATHER
	Standard on Sport	Standard on ML 63 AMG, optional on Sport			Optional			Opt. on Sport only
	Black (601)	Black (201)	Alpaca Grey (208)	Almond Beige (205)	Black/Alpaca Grey (258)	Black/Almond Beige (255)	Black/Tobacco Brown (254)	Black (801)
<b>Dashboard</b>								
Steering wheel	Black	Black	Dark Basalt Grey	Mocha Brown	Black	Black	Black	Black
Upper dashboard trim	Black	Black	Dark Basalt Grey	Mocha Brown	Black	Black	Black	Black
Lower dashboard trim	Black	Black	Alpaca Grey	Almond Beige	Black	Black	Black	Black
<b>Seats</b>								
Seat cushion centre section	Black	Black	Alpaca Grey	Almond Beige	Alpaca Grey	Almond Beige	Tobacco Brown	Black
Side bolster trim	Black	Black	Alpaca Grey	Almond Beige	Alpaca Grey	Almond Beige	Marron	Black
Head restraint	Black	Black	Alpaca Grey	Almond Beige	Alpaca Grey	Almond Beige	Marron	Black
Seat belt	Black	Black	Alpaca Grey	Almond Beige	Black	Black	Black	Black
<b>Doors</b>								
Beltline door trim	Black	Black	Alpaca Grey	Almond Beige	Black	Black	Black	Black
Centreline door trim	Black	Black	Alpaca Grey	Almond Beige	Alpaca Grey	Almond Beige	Marron	Black
Lower door trim	Black	Black	Alpaca Grey	Almond Beige	Black	Black	Black	Black
<b>Roof lining</b>	Alpaca Grey	Alpaca Grey	Alpaca Grey	Almond Beige	Black	Black	Black	Alpaca Grey
<b>Floor covering</b>								
Front and rear	Black	Black	Dark Basalt Grey	Almond Beige	Black	Black	Black	Black
Boot	Black	Black	Dark Basalt Grey	Almond Beige	Black	Black	Black	Black

<sup>1</sup>Artificial leather

# Combination options

		197 Obsidian Black	359 Tansanite Blue	755 Tenorite Grey	775 Iridium Silver	792 Palladium Silver	794 Pearl Beige	796 Citrine Brown	799 Diamond White
<b>DINAMICA/ARTICO ARTIFICIAL LEATHER</b>									
	Black	●	●	●	●	●	●	●	●
<b>LEATHER</b>									
	Black	●	●	●	●	●	●	●	●
	Alpaca Grey	●	●	●	●	●	○	●	●
	Almond Beige	●	○	○	○	●	●	●	●
<b>TWO-TONE LEATHER</b>									
	Black/Alpaca Grey	●	●	●	●	●	○	●	●
	Black/Almond Beige	●	●	●	●	●	●	●	●
	Black/Tobacco Brown	●	●	●	●	●	●	●	●
<b>NAPPA LEATHER</b>									
	Black	●	●	●	●	●	●	●	●

● Recommended ○ Possible Please note that, owing to limitations of the printing process, paint colours may differ from those shown

# Technical specifications

MODEL	DIESEL ENGINES		PETROL ENGINE	
	ML 250 BlueTEC Sport	ML 350 BlueTEC Sport	ML 63 AMG	
<b>ENGINE</b>				
Capacity	cc	2,143	2,987	5,461
Arrangement/cylinders/valves		In-line/4/16	V/6/24	V/8/32
Power <sup>1</sup>	hp (kW) at rpm	204 (150)/4,200	258 (190)/3,600	525 (386)/5,250–5,750 [557 (410)/5,250–5,750 <sup>2</sup> ]
Torque <sup>1</sup>	Nm at rpm	500/1,600–1,800	620/1,600–2,400	700/1,750–5,000 [760/2,000–5,000 <sup>2</sup> ]
<b>TRANSMISSION</b>				
7G-Tronic Plus 7-speed automatic		●	●	–
AMG Speedshift Plus 7G-Tronic 7-speed automatic		–	–	●
<b>PERFORMANCE</b>				
		auto.	auto.	auto.
Acceleration 0–62 mph	sec	9.0	7.4	4.8 [4.7 <sup>2</sup> ]
Top speed	mph	130	139	155 <sup>3</sup> [174 <sup>4</sup> ]

MODEL	DIESEL ENGINES		PETROL ENGINE
	ML 250 BlueTEC Sport	ML 350 BlueTEC Sport	ML 63 AMG
<b>WEIGHTS AND CAPACITIES</b>	auto.	auto.	auto.
<b>Kerb weight</b> kg	2,150	2,175	2,345
<b>Perm. Gross Vehicle Weight</b> kg	2,950	2,950	3,050
<b>Towing capacity – unbraked</b>	750	750	750
<b>braked</b> kg	2,950	3,500	3,050
<b>Boot capacity</b> l			
<b>max. behind 1st row of seats</b>	2,010	2,010	2,010
<b>max. behind 2nd row of seats</b>	690	690	690
<b>Fuel tank capacity/ of which reserve</b> l	70/11	70/11	93/14
<b>Turning circle</b> m	11.80	11.80	11.80
<b>FUEL CONSUMPTION<sup>5,6</sup></b> mpg	auto.	auto.	auto.
<b>Urban</b>	38.7	34.4	18.0
<b>Extra-urban<sup>7</sup></b>	50.4	42.2	29.4
<b>Combined</b>	44.8	39.2	23.9

<sup>1</sup>Figures according to Directive 80/1269/EEC in the currently applicable version

<sup>2</sup>In conjunction with AMG Performance Package

<sup>3</sup>Electronically limited

<sup>4</sup>In conjunction with AMG Driver's Package

<sup>5</sup>All figures are based on a standard specification with the smallest tyre size

<sup>6</sup>The choice of wheels and transmission may affect CO<sub>2</sub> emissions and corresponding Road Fund Licence

<sup>7</sup>EUUDC: extra-urban driving cycle. Testing procedures adhere to EU Directive 93/116

MODEL	DIESEL ENGINES		PETROL ENGINE
	ML 250 BlueTEC Sport	ML 350 BlueTEC Sport	ML 63 AMG
CO <sub>2</sub> EMISSIONS <sup>6</sup> g/km	auto.	auto.	auto.
Emissions standard	EU6	EU6	EU5
19" AMG alloy wheels (code 780)	165	189	-
20" AMG alloy wheels (code 758)	170	194	-
21" AMG alloy wheels (code 757)	170	194	-
20" AMG alloy wheels (code 778)	-	-	276
21" AMG alloy wheels (code 798)	-	-	276

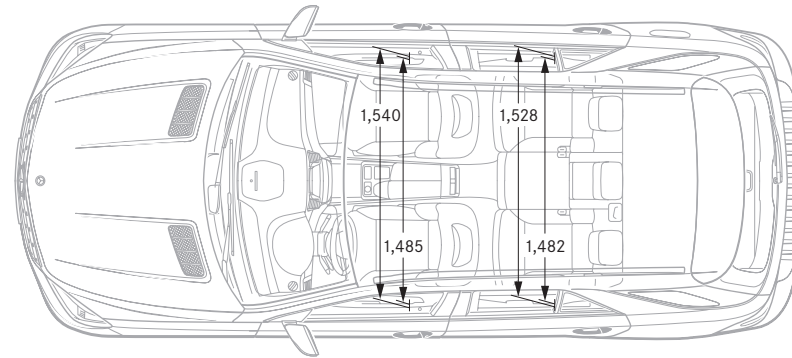
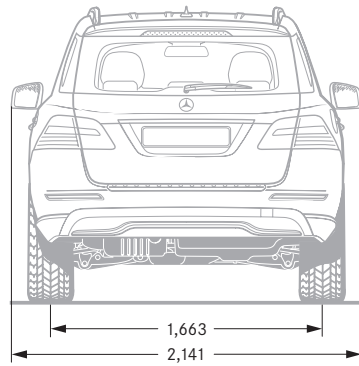
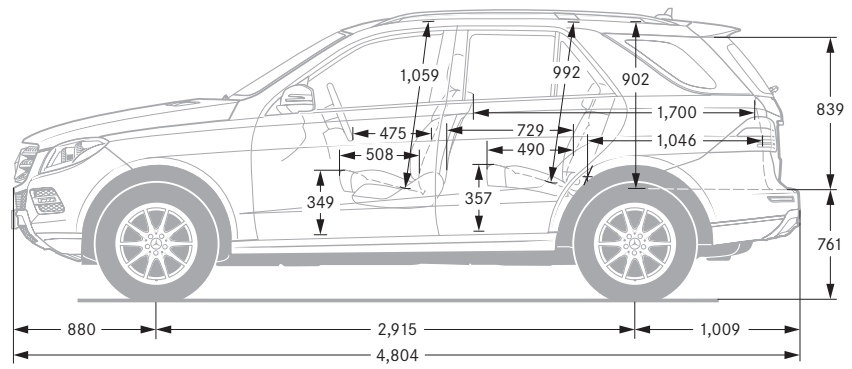
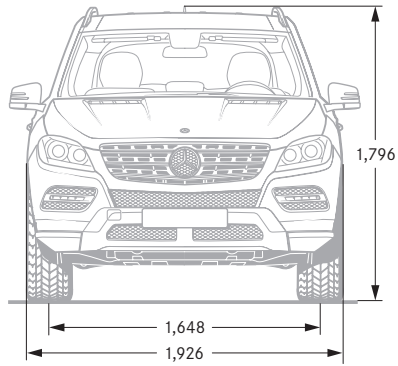
## INSURANCE

Group rating	38E	42A	tba
--------------	-----	-----	-----

Insurance ratings may vary depending on model line and specification. Please refer to <http://www.thatcham.org/abigrouprating/> for further details

<sup>6</sup>The choice of wheels and transmission may affect CO<sub>2</sub> emissions and corresponding Road Fund Licence

The figures on pages 36 to 38 are correct at time of going to print. Please refer to the government website for latest data - [www.vca.gov.uk](http://www.vca.gov.uk)



All measurements in millimetres. The dimensions shown are mean values and apply to standard-specification, unladen vehicles

# Road Fund Licence



All road vehicle registrations are subject to Vehicle Excise Duty (Road Fund Licence), which varies in accordance with the vehicle's CO<sub>2</sub> emissions. A first year rate of Vehicle Excise Duty applies to new cars on their first year of registration. For the second and subsequent years a standard rate for each taxation band will apply.<sup>1</sup> The table below shows the bands (A–M) created by the DVLA and the corresponding Road Fund Licence. CO<sub>2</sub> emissions are listed in the technical specifications on page 38, and the relevant Excise Duty is reflected in the on-the-road prices on page 5.

Band	CO <sub>2</sub> emissions	First year rate (£)	Standard rate (£)
A	up to 100 g/km	0.00	0.00
B	101 to 110 g/km	0.00	20.00
C	111 to 120 g/km	0.00	30.00
D	121 to 130 g/km	0.00	100.00
E	131 to 140 g/km	120.00	120.00
F	141 to 150 g/km	135.00	135.00
G	151 to 165 g/km	170.00	170.00
H	166 to 175 g/km	275.00	195.00
I	176 to 185 g/km	325.00	215.00
J	186 to 200 g/km	460.00	250.00
K	201 to 225 g/km	600.00	270.00
L	226 to 255 g/km	815.00	460.00
M	over 255 g/km	1,030.00	475.00

<sup>1</sup>For further information on the above vehicle taxation changes please refer to [www.direct.gov.uk/en/Motoring/OwningAVehicle/HowToTaxYourVehicle](http://www.direct.gov.uk/en/Motoring/OwningAVehicle/HowToTaxYourVehicle)

# Services and benefits

## Mercedes-Benz Service Care

We believe that servicing costs should be as flexible and affordable as possible for your M-Class, which is why we offer Service Care, an easy way to budget for all your servicing costs. It spreads your bills into manageable payments based on whether you have a new or used Mercedes-Benz.

With Service Care we guarantee the price of parts and labour for up to four services and safeguard against further inflation. It also covers the cost of all recommended service items including brake fluid, spark plugs, air filters, fuel filters and screen wash.

You can choose either to add your servicing costs into your monthly spend or pay the full amount in a one-off payment, giving you peace of mind that they are taken care of for the period of the plan.

To find out more please contact your local Retailer or visit [www.mercedes-benz.co.uk/servicecare](http://www.mercedes-benz.co.uk/servicecare)

## Warranty and breakdown cover

Every Mercedes-Benz comes with a three-year unlimited mileage warranty against manufacturing or material defects<sup>1</sup> and up to 30 years warranty against perforation due to corrosion from the inside out.<sup>2</sup> What's more, it's also covered by Mercedes-Benz Mobilo Roadside Assistance – a unique package comprising up to 30 years pan-European breakdown assistance.<sup>2</sup>

## Factory Collection

For the exhilarating experience of picking up your brand new Mercedes-Benz where it was built, we offer our Factory Collection programme. All you need to do is pay for a one-way flight<sup>3</sup> to Stuttgart – we take care of the rest. Included is an airport transfer to your hotel, one night's accommodation, dinner and breakfast, a factory tour and a return crossing by Eurotunnel (Standard Class). Additional travellers can also be invited.<sup>4</sup> For a memorable drive home,<sup>5</sup> visit [www.mercedes-benz.co.uk/factorycollection](http://www.mercedes-benz.co.uk/factorycollection), call our Collection Team on **0845 273 9705** or speak to your Retailer.

<sup>1</sup>Applies to vehicles sold by Mercedes-Benz in the UK to its franchised Retailers    <sup>2</sup>Subject to full Terms and Conditions, dependent on date of registration, available upon request    <sup>3</sup>Economy £150.00, Business Class £350.00

<sup>4</sup>At additional cost    <sup>5</sup>For the return journey you will receive five days fully comprehensive insurance

# Mercedes-Benz Finance

Finance designed to meet your needs

Choosing the right Mercedes-Benz from our extensive range of models can take time, but choosing the best way to fund your new vehicle shouldn't – because the solution is simple: Mercedes-Benz Finance.

At Mercedes-Benz Finance not only do we provide a wide range of flexible finance and leasing options, but we also offer you the possibility of tailoring any of our packages to meet your individual needs precisely – whether you're a private customer or a business user.

Business Managers to help you all the way

Our Business Managers are trained vehicle funding specialists. They can talk you through your finance options, advise you as to which one may suit you best and help you make the right decision. What's more, they have access to systems and support that will enable quotations and comparisons to be prepared for you in minutes.

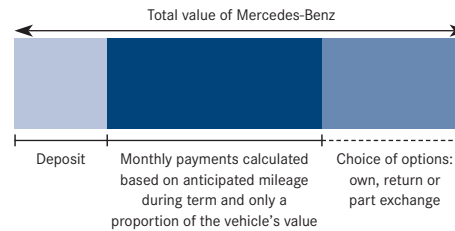
We guarantee rate transparency, so you can be confident in the knowledge that the APR quoted by your Business Manager is the APR you will be charged. This APR will not be affected by your credit rating and the rate will not vary during your finance agreement.

## Quick, easy and convenient

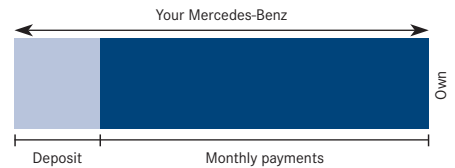
Mercedes-Benz Finance is quick and easy to arrange and immediately available whenever you wish to take your car, so there's no waiting for cheques or loans to clear. We can even administer the settlement of any outstanding finance you may have on your old car.

You can also rest assured that loans arranged through Mercedes-Benz Finance are only ever secured against your car, and not your home or any other personal asset.

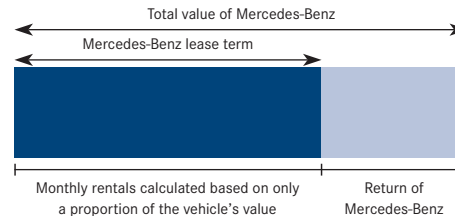
### MERCEDES-BENZ AGILITY



### MERCEDES-BENZ HIRE PURCHASE



### MERCEDES-BENZ OPERATING LEASE



Prices effective from 1 April 2012. Information correct at time of going to print.

Prices and specifications are subject to change without prior notice.

MBM164PL/0412

Mercedes-Benz UK Ltd, Tongwell, Milton Keynes, MK15 8BA [www.mercedes-benz.co.uk](http://www.mercedes-benz.co.uk)



## Mixed Sources

Product group from well-managed forests, controlled sources and recycled wood or fibre

[www.fsc.org](http://www.fsc.org) Cert no. SGS-COC-004556  
©1996 Forest Stewardship Council

