



# The Mercedes-Maybach S-Class

Effective from July 2024 Production.

MAYBACH





Book a test drive



Find your Mercedes-Maybach



Find a Showroom



Some of the model features, optional extras and colours shown may not be available, or may only be available in a different specification, or a different price.

Design	Technology	Safety	Model lines	Upholstery & trim	Model prices	Personalisation	Standard equipment	Technical data	Additional information
--------	------------	--------	-------------	-------------------	--------------	-----------------	--------------------	----------------	------------------------



Some of the model features, optional extras and colours shown may not be available, or may only be available in a different specification, or a different price.

<a href="#">Design</a>	<a href="#">Technology</a>	<a href="#">Safety</a>	<a href="#">Model lines</a>	<a href="#">Upholstery &amp; trim</a>	<a href="#">Model prices</a>	<a href="#">Personalisation</a>	<a href="#">Standard equipment</a>	<a href="#">Technical data</a>	<a href="#">Additional information</a>
------------------------	----------------------------	------------------------	-----------------------------	---------------------------------------	------------------------------	---------------------------------	------------------------------------	--------------------------------	--



Book a test drive



Find your Mercedes-Maybach



Find a Showroom



Some of the model features, optional extras and colours shown may not be available, or may only be available in a different specification, or a different price.

Design	Technology	Safety	Model lines	Upholstery & trim	Model prices	Personalisation	Standard equipment	Technical data	Additional information
--------	------------	--------	-------------	-------------------	--------------	-----------------	--------------------	----------------	------------------------



Book a test drive



Find your Mercedes-Maybach



Find a Showroom



Some of the model features, optional extras and colours shown may not be available, or may only be available in a different specification, or a different price.

Design	Technology	Safety	Model lines	Upholstery & trim	Model prices	Personalisation	Standard equipment	Technical data	Additional information
--------	------------	--------	-------------	-------------------	--------------	-----------------	--------------------	----------------	------------------------



Book a test drive



Find your Mercedes-Maybach



Find a Showroom



Some of the model features, optional extras and colours shown may not be available, or may only be available in a different specification, or a different price.

Design	Technology	Safety	Model lines	Upholstery & trim	Model prices	Personalisation	Standard equipment	Technical data	Additional information
--------	------------	--------	-------------	-------------------	--------------	-----------------	--------------------	----------------	------------------------



Book a test drive



Find your Mercedes-Maybach



Find a Showroom



Some of the model features, optional extras and colours shown may not be available, or may only be available in a different specification, or a different price.

Design	Technology	Safety	Model lines	Upholstery & trim	Model prices	Personalisation	Standard equipment	Technical data	Additional information
--------	------------	--------	-------------	-------------------	--------------	-----------------	--------------------	----------------	------------------------



Book a test drive



Find your Mercedes-Maybach



Find a Showroom



Some of the model features, optional extras and colours shown may not be available, or may only be available in a different specification, or a different price.

Design	Technology	Safety	Model lines	Upholstery & trim	Model prices	Personalisation	Standard equipment	Technical data	Additional information
--------	------------	--------	-------------	-------------------	--------------	-----------------	--------------------	----------------	------------------------



Book a test drive



Find your Mercedes-Maybach



Find a Showroom



Mercedes-Maybach S-Class

# Technology

Some of the model features, optional extras and colours shown may not be available, or may only be available in a different specification, or a different price.

<a href="#">Design</a>	<a href="#">Technology</a>	<a href="#">Safety</a>	<a href="#">Model lines</a>	<a href="#">Upholstery &amp; trim</a>	<a href="#">Model prices</a>	<a href="#">Personalisation</a>	<a href="#">Standard equipment</a>	<a href="#">Technical data</a>	<a href="#">Additional information</a>
------------------------	----------------------------	------------------------	-----------------------------	---------------------------------------	------------------------------	---------------------------------	------------------------------------	--------------------------------	--

# Mercedes-Benz User Experience Premium

Transforming the in-car user experience, thanks to MBUX: Controlled via voice or touch input, the innovative infotainment system can over time even predict personal habits thanks to artificial intelligence.

### Voice control

- Activated by the keywords “Hey Mercedes” or via touch control buttons on the steering wheel, the new intelligent voice control LINGUATRONIC<sup>1</sup> lets you control many of the infotainment functions, including destination input, phone calls or music selection. If you're feeling chilly, just say “Hey Mercedes, I feel cold” and MBUX will adjust the temperature for you
- MBUX is able to understand different accents and will adjust to you over time

### Touch inputs

- Beside voice control you can operate MBUX via touchscreen, the optional 7-inch rear tablet, as well as touch control buttons on the steering wheel

### Personalisation

- Turn the new Mercedes-Maybach S-Class into your very own Mercedes-Benz, thanks to the biometric authentication with voice recognition in every seat, face recognition (with 3D driver display), finger print scanner and PIN protection
- Take your personal profiles with you between cars – vehicle settings are no longer stored locally but within the user profile, which is connected to the customer's Mercedes me account
- Thanks to artificial intelligence, MBUX is able to learn and adapt over time. It will be able to predict your personal habits, such as navigation for frequently-driven routes, or the radio station you like to listen to on your way home from work

### Maintenance and service

- Wondering when the next service is due? Or how much further you can drive until you need to stop at a petrol station? Just ask your MBUX – it will tell you the answer



The connection of the communication module to the mobile phone network including the emergency call system depends on the respective network coverage and availability of network providers. Some of the model features, optional extras and colours shown may not be available, or may only be available in a different specification, or a different price.  
<sup>1</sup>LINGUATRONIC off-board functions are currently only available for three years

Design	Technology	Safety	Model lines	Upholstery & trim	Model prices	Personalisation	Standard equipment	Technical data	Additional information
--------	------------	--------	-------------	-------------------	--------------	-----------------	--------------------	----------------	------------------------

# Technology



**MBUX augmented reality head-up display** makes the front windscreen part of the digital cockpit. With the help of transparent projections onto the windscreen, the driver's field of vision is enhanced with relevant information about the current driving situation.

**12.3-inch 3D driver display** provides a clear three-dimensional representation of the driving situation and other road users, along with warning and navigation information.



**MBUX 7-inch rear tablet** with the ability to control many on-board functions.

**12.8-inch OLED touchscreen central display** with augmented reality, fingerprint scanner, haptic feedback and integrated climate controls.



Some of the model features, optional extras and colours shown may not be available, or may only be available in a different specification, or a different price.

Design	Technology	Safety	Model lines	Upholstery & trim	Model prices	Personalisation	Standard equipment	Technical data	Additional information
--------	------------	--------	-------------	-------------------	--------------	-----------------	--------------------	----------------	------------------------



Mercedes me connect store



Book a test drive



Find your Mercedes-Maybach



Find a Showroom

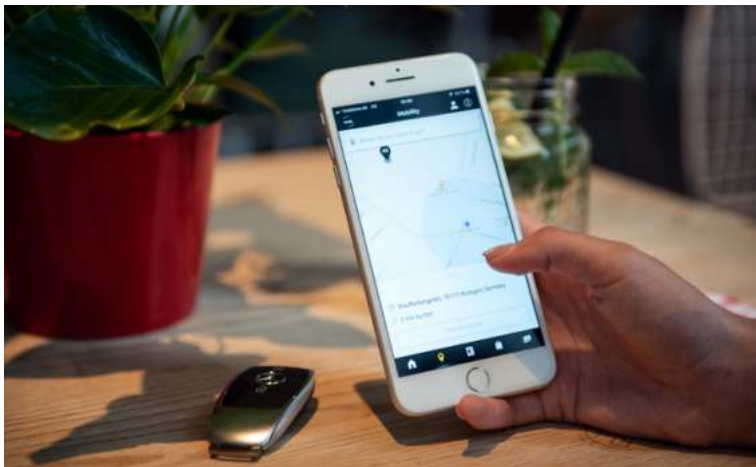
# Mercedes me connect Stay connected any time, anywhere.

# Mercedes *me*

Mercedes me is a range of innovative online services designed to enhance your Mercedes-Benz experience. Accessible via mobile, tablet or PC, Mercedes me lets you enjoy the highest standards of care and support, in a way that integrates seamlessly with your busy lifestyle.

### Safety and Service – Mercedes me connect helps to keep you and your car safe

Check your car's oil level, tyre pressure and fuel from your phone so you'll be ready for every journey.



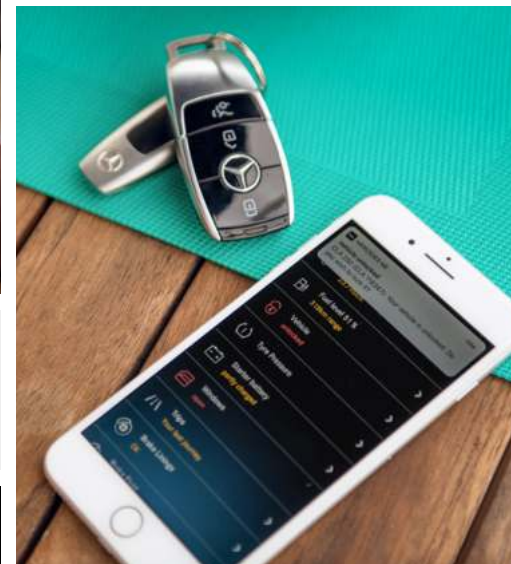
### Live Traffic Information, Parked Vehicle Locator and much more with Mercedes me connect

Forgot where you've parked? Parked Vehicle Locator<sup>1</sup> will show you exactly where your car is as long as you're in a 1-mile radius of where you parked. Real-time traffic data and dynamic route with shorter journey times.

For more information speak to your local Mercedes-Benz Agent or visit the Mercedes me connect store at [shop.mercedes-benz.com/en-gb/connect](http://shop.mercedes-benz.com/en-gb/connect)

### Comfort – connect to your car anytime, anywhere

Forgot to lock your car? With Remote Car Lock<sup>2</sup> you will receive a notification on your smartphone to let you know. With one tap, you can lock and unlock your vehicle so you never have to worry.



<sup>1</sup>The connection of the communication module to the mobile phone network including the emergency call system depends on the respective network coverage and availability of network providers

<sup>2</sup>Available on all models with the Vehicle Monitoring package. This option may vary between standard and additional cost dependent on the model

<sup>3</sup>Part of the Vehicle Status package. This option may vary between standard and additional cost dependent on the model

Images shown are for illustration purposes only



Book a test drive



Find your Mercedes-Maybach



Find a Showroom

## Mercedes-Maybach S-Class

# Safety



Some of the model features, optional extras and colours shown may not be available, or may only be available in a different specification, or a different price.

Design	Technology	Safety	Model lines	Upholstery & trim	Model prices	Personalisation	Standard equipment	Technical data	Additional information
--------	------------	--------	-------------	-------------------	--------------	-----------------	--------------------	----------------	------------------------

# DIGITAL LIGHT

High-definition headlamps with innovative features

The new innovative DIGITAL LIGHT headlamps works like a projector with more than one million pixels per headlamp and responds with brilliant light to changing traffic, road or weather conditions. Its ULTRA RANGE Highbeam with 650 m makes you feel like driving at daylight. DIGITAL LIGHT is also able to provide assistance in the form of messages on the road in front of you.<sup>1</sup>

Standard on all Mercedes-Maybach S-Class model lines

<sup>1</sup>This additional function depends on local road traffic laws



# Driving Assistance package<sup>1</sup> Cares for what matters.

The new Mercedes-Maybach S-Class comes with standard ground-breaking innovations in safety, comfort and driving functions, to help you stay safe on the road.



**Active Blind Spot Assist** expanded with blind spot monitoring towards the front and side. Additional hazard indication of the blind spot warning system as well as the exit warning function via the ambient lighting

**Active Braking Assist with cross-traffic function** with turning manoeuvre function (responding to (among other things) crossing pedestrians when making a turn). Operating range on urban routes expanded to 74 mph

**Active Distance Assist DISTRONIC:** responds to stationary road users to prevent collisions up to 80 mph

**Active Emergency Stop Assist** able to assist in manual mode (previously on in DISTRONIC mode). Optional lane change by one lane (at 49 mph where no obstacles detected)

**Active Evasive Steering Assist:** responds to cyclists and ends of tailbacks in addition to pedestrians. Operating range on urban routes expanded to 67 mph

**Active Lane Change Assist** aids the driver with changing lanes by means of steering torque as soon as the driver initiates the change by activating the direction indicator

**Active Lane Keeping Assist** with enhanced comfort thanks to active steering intervention (instead of braking intervention). Additionally hazard indication via the ambient lighting

**Active Speed Limit Assist** ensures detected speed limits are automatically adopted as the set speed for Active Distance Assist DISTRONIC

Increased availability and cornering performance on carriageways with **Active Steering Assist**, more stern warnings to put hands on the steering wheel with new capacitive steering wheel

**PRE-SAFE® PLUS and Impulse Side:** when a rear-end collision threatens, PRE-SAFE® PLUS can initiate preventive measures, including warning following traffic and locking the brakes on standstill

**Route-based speed adjustment with end of traffic jam function and Active Stop-and-go function** adaption of speed before curves, roundabouts and junctions with end of traffic jam function

**Traffic Sign Assist** warns of inadvertently running a stop sign or red light

**Type-specific rendering of detected road users** across several lanes on the driver display

<sup>1</sup>Our driver assistance and safety systems are aids and do not relieve you of your responsibility as the driver. Please take note of the information in the Owner's Manual and the system limits which are described therein



Book a test drive



Find your Mercedes-Maybach



Find a Showroom



Mercedes-Maybach S-Class

# Model lines

Design

Technology

Safety

Model lines

Upholstery & trim

Model prices

Personalisation

Standard equipment

Technical data

Additional information

# Mercedes-Maybach S-Class Model lines overview

## Mercedes-Maybach »



## Mercedes-Maybach Night Series »



## Mercedes-Maybach First Class »





# Mercedes-Maybach S-Class Standard equipment highlights



Option shown: nautic blue metallic (code 595)



Option shown: nautic blue metallic (code 595)

### Exterior

20" Maybach forged wheels - 5-hole design with a high-gloss polished ceramic finish including fully integrated wheel bolt cover (code R61)

E-ACTIVE BODY CONTROL

HANDS-FREE ACCESS

Panoramic sliding sunroof

Radiator grille with 27 vertical struts in high-gloss chrome, chrome surround with centrally positioned 'Maybach' lettering

Rear-axle steering with 10° steering angle adjustment

Summer tyres



**OTR from £175,840<sup>1</sup>**

<sup>1</sup>The recommended on-the-road price includes the Road Fund Licence applicable to the standard model plus delivery charge (£730.00 incl. VAT), new vehicle registration fee (£55.00), fuel (£50.00 incl. VAT), and number plates (£25.00 incl. VAT). VAT is calculated at the standard rate of 20%. Some of the model features, optional extras and colours shown may not be available, or may only be available in a different specification, or at a different price

Design	Technology	Safety	Model lines	Upholstery & trim	Model prices	Personalisation	Standard equipment	Technical data	Additional information
--------	------------	--------	-------------	-------------------	--------------	-----------------	--------------------	----------------	------------------------



### Interior

DINAMICA roof liner

High-pile floor mats

Rear Seat Comfort package including massage functions

Steering wheel in wood/leather with 'Maybach' lettering in the vertical spoke

### Communications and In-Car Entertainment

Burmester® high-end 4D surround sound system

MBUX High-End Rear Seat Entertainment

TV receiver



Burmester® high-end 4D surround sound system



Steering wheel in wood/leather



MBUX High-End Rear Seat Entertainment

### Trim and Upholstery

MANUFATUR black piano lacquer trim with flowing lines

Maybach Exclusive nappa leather





# Mercedes-Maybach First Class Standard equipment highlights



Option shown: MANUFAKTUR patagonia red bright metallic (code 993)



Option shown: MANUFAKTUR patagonia red bright metallic (code 993)

In addition to/replacement of Mercedes-Maybach:

### Exterior

21" Maybach forged wheels – multi-spoke design, bi-chromatic look including fully integrated wheel bolt (code 70R)

Air inlet grille in high-gloss chrome (S 680 4MATIC only)

AIRMATIC air suspension (S 680 4MATIC only)

Exterior V 12 badging (S 680 4MATIC only)

Rear-axle steering with 4.5° steering angle adjustment

Summer tyres



OTR from **£190,355<sup>1</sup>**

<sup>1</sup>The recommended on-the-road price includes the Road Fund Licence applicable to the standard model plus delivery charge (£730.00 incl. VAT), new vehicle registration fee (£55.00), fuel (£50.00 incl. VAT), and number plates (£25.00 incl. VAT). VAT is calculated at the standard rate of 20%. Some of the model features, optional extras and colours shown may not be available, or may only be available in a different specification, or at a different price

Design	Technology	Safety	Model lines	Upholstery & trim	Model prices	Personalisation	Standard equipment	Technical data	Additional information
--------	------------	--------	-------------	-------------------	--------------	-----------------	--------------------	----------------	------------------------



### Interior

- Champagne flutes
- Electrically opening cover with two temperature controlled cup holders
- Executive seats
- Extended centre console

- Extended trim element behind rear seats with Maybach logo
- Folding tables in the rear
- Fridge compartment in rear
- Luxury individual rear seats

- MANUFAKTUR backrests in wood
- Nappa leather roof liner
- Steering wheel in nappa leather with 'Maybach' lettering

### Trim and Upholstery

MANUFAKTUR brown open-pore walnut wood trim with aluminium lines

Maybach Exclusive nappa leather





# Mercedes-Maybach Night Series Standard equipment highlights



Standard paint colour shown: obsidian black metallic (code 197)



Standard paint colour shown: obsidian black metallic (code 197)

In addition to/replacement of Mercedes-Maybach:

### Exterior

20" Maybach forged wheels – 5-hole design, painted high-gloss black including fully integrated wheel bolt cover (code R12)

Exclusive exterior design elements in dark shadow gloss

Radiator grille with 27 vertical struts in high-gloss black, black surround with centrally positioned 'Maybach' lettering

Surround lighting with animated projection of the Mercedes-Maybach pattern

Vehicle key in high-gloss black with ornamental frame in dark shadow gloss

Summer tyres



**OTR from £203,190<sup>1</sup>**

<sup>1</sup>The recommended on-the-road price includes the Road Fund Licence applicable to the standard model plus delivery charge (£730.00 incl. VAT), new vehicle registration fee (£55.00), fuel (£50.00 incl. VAT), and number plates (£25.00 incl. VAT). VAT is calculated at the standard rate of 20%. Some of the model features, optional extras and colours shown may not be available, or may only be available in a different specification, or at a different price

Design	Technology	Safety	Model lines	Upholstery & trim	Model prices	Personalisation	Standard equipment	Technical data	Additional information
--------	------------	--------	-------------	-------------------	--------------	-----------------	--------------------	----------------	------------------------



● Full standard equipment list



Book a test drive



Find your Mercedes-Maybach



Find a Showroom



### Interior

Door sill panels with 'Maybach Night Series' lettering and with exchangeable cover, illuminated

### Trim and Upholstery

MANFAKTUR open-pore dark brown fishbone pattern  
walnut wood



Maybach Exclusive nappa leather - pearl black



Design

Technology

Safety

Model lines

Upholstery & trim

Model prices

Personalisation

Standard equipment

Technical data

Additional information

# Upholstery

● Standard   □ No-cost option   - Not available



**511A Maybach Exclusive nappa leather<sup>1</sup> - black**

Mercedes-Maybach	●
Mercedes-Maybach First Class	●
Mercedes-Maybach Night Series	-



**514A Maybach Exclusive nappa leather<sup>1,2</sup> - sienna brown/black**

Mercedes-Maybach	□
Mercedes-Maybach First Class	□
Mercedes-Maybach Night Series	-



**515A Maybach Exclusive nappa leather<sup>1,3</sup> - macchiato beige/bronze brown pearl**

Mercedes-Maybach	□
Mercedes-Maybach First Class	□
Mercedes-Maybach Night Series	-

<sup>1</sup>100% of seat upholstery is pure leather

<sup>2</sup>Not in conjunction with rubellite red metallic (code 660U), MANUFATUR patagonia red bright metallic (code 993U), onyx black/MANUFATUR kalahari gold metallic (code C32)

<sup>3</sup>Not in conjunction with nautic blue/high-tech silver metallic (code C28)

# Upholstery

● Standard   □ No-cost option   - Not available



**518A Maybach Exclusive nappa leather<sup>1,2</sup> – silver grey/black**

Mercedes-Maybach	□
Mercedes-Maybach First Class	□
Mercedes-Maybach Night Series	-



**521A Maybach Exclusive nappa leather<sup>1</sup> – pearl black**

Mercedes-Maybach	-
Mercedes-Maybach First Class	-
Mercedes-Maybach Night Series	●

<sup>1</sup>100% of seat upholstery is pure leather   <sup>2</sup>MBUX Interior Assist (front and rear) removed when selected

# Trim

● Standard   □ No-cost option   - Not available



**H17 MANUFAKTUR black piano lacquer trim with flowing lines**

Mercedes-Maybach S 580 4MATIC	●
Mercedes-Maybach S 580 4MATIC First Class	-
Mercedes-Maybach S 680 4MATIC First Class <sup>1</sup>	□
Mercedes-Maybach Night Series	-



**H38 MANUFAKTUR brown open-pore walnut wood trim with aluminium lines**

Mercedes-Maybach S 580 4MATIC	-
Mercedes-Maybach S 580 4MATIC First Class <sup>2</sup>	●
Mercedes-Maybach S 680 4MATIC First Class <sup>2</sup>	●
Mercedes-Maybach Night Series	-



**16H MANUFAKTUR open-pore dark brown fishbone pattern walnut wood**

Mercedes-Maybach S 580 4MATIC	-
Mercedes-Maybach S 580 4MATIC First Class	-
Mercedes-Maybach S 680 4MATIC First Class	-
Mercedes-Maybach Night Series	●

<sup>1</sup>Only available with MAYBACH Exclusive nappa leather MANUFAKTUR package (code DPL) in MANUFAKTUR crystal white/silver grey pearl (code 519A)

<sup>2</sup>Not available with MAYBACH Exclusive nappa leather MANUFAKTUR package (code DPL) in MANUFAKTUR crystal white/silver grey pearl (code 519A)

# Trim

● Standard   □ No-cost option   - Not available



**H29 high-gloss brown burr walnut wood trim**

Mercedes-Maybach S 580 4MATIC	□
Mercedes-Maybach S 580 4MATIC First Class	-
Mercedes-Maybach S 680 4MATIC First Class	-
Mercedes-Maybach Night Series	-



**H37 high-gloss black poplar wood trim**

Mercedes-Maybach S 580 4MATIC	□
Mercedes-Maybach S 580 4MATIC First Class	-
Mercedes-Maybach S 680 4MATIC First Class	-
Mercedes-Maybach Night Series	-

# Model prices

Model line	Engine	Transmission	CO <sub>2</sub> WLTP <sup>1,*</sup>	Basic RRP excl. VAT (£)	Total RRP incl. VAT (£)	Road Fund Licence (£) <sup>2</sup> WLTP	Rec. OTR price (£) <sup>3</sup> WLTP	P11D value (£)	BiK tax rate 2024/25 (%) <sup>2</sup>
<b>Mercedes-Maybach</b>									
S 580 4MATIC	Petrol - 3,982 cc, 8-cylinder, 503 hp/370 kW	9G-TRONIC 9-speed automatic	242	143,875.00	172,650.00	2,330.00	175,840.00	173,455.00	37
<b>Mercedes-Maybach First Class</b>									
S 580 4MATIC	Petrol - 3,982 cc, 8-cylinder, 503 hp/370 kW	9G-TRONIC 9-speed automatic	255	155,970.83	187,165.00	2,330.00	190,355.00	187,970.00	37
S 680 4MATIC	Petrol - 5,980 cc, 12-cylinder, 612 hp/450 kW	9G-TRONIC 9-speed automatic	321	180,787.50	216,945.00	2,745.00	220,550.00	217,750.00	37
<b>Mercedes-Maybach Night Series</b>									
S 580 4MATIC	Petrol - 3,982 cc, 8-cylinder, 503 hp/370 kW	9G-TRONIC 9-speed automatic	242	166,666.67	200,000.00	2,330.00	203,190.00	200,805.00	37
<b>Mercedes-Maybach First Class Night Series</b>									
S 580 4MATIC	Petrol - 3,982 cc, 8-cylinder, 503 hp/370 kW	9G-TRONIC 9-speed automatic	243	178,583.33	214,300.00	2,330.00	217,490.00	215,105.00	37
S 680 4MATIC	Petrol - 5,980 cc, 12-cylinder, 612 hp/450 kW	9G-TRONIC 9-speed automatic	307	203,033.33	243,640.00	2,745.00	247,245.00	244,445.00	37

<sup>1</sup>The indicated values were determined according to the prescribed measurement method - Worldwide Harmonised Light Vehicle Test Procedure (WLTP). Figures shown may include options which are not available in the UK. <sup>2</sup>Figures shown are for comparability purposes; only compare with other cars tested to the same technical procedures. Figures may not reflect real life driving results, which will depend upon a number of factors including factory-fitted options, accessories fitted (post registration), variations in weather, driving styles and vehicle load. Further information about the test used to establish fuel consumption and CO<sub>2</sub> figures can be found at <http://www.mercedes-benz.co.uk/WLTP> <sup>3</sup>All engines are RDE (Real Driving Emissions) Step 2 Certified (6d-ISC-FCM). This results in a lower VED and BiK rate as these engines will not be subject to the diesel surcharge. A different first year rate of Vehicle Excise Duty (Road Fund Licence) applies for new cars. Please refer to page 41 for the relevant rate for the second and subsequent years <sup>4</sup>The recommended on-the-road price includes the Road Fund Licence applicable to the standard model plus delivery charge (£730.00 incl. VAT), new vehicle registration fee (£55.00), fuel (£50.00 incl. VAT), and number plates (£25.00 incl. VAT). VAT is calculated at the standard rate of 20%. Some of the model features, optional extras and colours shown may not be available, or may only be available in a different specification, or at a different price

# Colour options Metallic paints

MAYBACH

● Standard   □ No-cost option   - Not available



**197U obsidian black metallic**

Mercedes-Maybach	●
Mercedes-Maybach First Class	●
Mercedes-Maybach Night Series	●
<b>Total RRP incl. VAT</b>	-



**595U nautic blue metallic**

Mercedes-Maybach	□
Mercedes-Maybach First Class	□
Mercedes-Maybach Night Series	-
<b>Total RRP incl. VAT</b>	-



**922U high-tech silver metallic**

Mercedes-Maybach	□
Mercedes-Maybach First Class	□
Mercedes-Maybach Night Series	-
<b>Total RRP incl. VAT</b>	-



**992U selenite grey metallic**

Mercedes-Maybach	□
Mercedes-Maybach First Class	□
Mercedes-Maybach Night Series	-
<b>Total RRP incl. VAT</b>	-



**188U verde silver metallic**

Mercedes-Maybach	□
Mercedes-Maybach First Class	□
Mercedes-Maybach Night Series	□
<b>Total RRP incl. VAT</b>	-



**831U graphite grey metallic**

Mercedes-Maybach	□
Mercedes-Maybach First Class	□
Mercedes-Maybach Night Series	□
<b>Total RRP incl. VAT</b>	-



**989U emerald green metallic**

Mercedes-Maybach	□
Mercedes-Maybach First Class	□
Mercedes-Maybach Night Series	-
<b>Total RRP incl. VAT</b>	-

Please note that, owing to limitations of on-screen representation, paint colours may differ from those shown

# Colour options MANUFAKTUR paints

No-cost option    Optional   - Not available



**885U MANUFAKTUR opalite white bright metallic**

Mercedes-Maybach	<input type="checkbox"/>
Mercedes-Maybach First Class	<input type="checkbox"/>
Mercedes-Maybach Night Series	<input type="checkbox"/>
<b>Total RRP incl. VAT</b>	<b>-</b>



**660U MANUFAKTUR rubellite red metallic**

Mercedes-Maybach	<input type="radio"/>
Mercedes-Maybach First Class	<input type="radio"/>
Mercedes-Maybach Night Series	-
<b>Total RRP incl. VAT</b>	<b>£4,000.00</b>



**659U MANUFAKTUR opalite white magno<sup>1</sup>**

Mercedes-Maybach	<input type="radio"/>
Mercedes-Maybach First Class	<input type="radio"/>
Mercedes-Maybach Night Series	<input type="radio"/>
<b>Total RRP incl. VAT</b>	<b>£4,750.00</b>



**993U MANUFAKTUR patagonia red bright metallic**

Mercedes-Maybach	<input type="checkbox"/>
Mercedes-Maybach First Class	<input type="checkbox"/>
Mercedes-Maybach Night Series	-
<b>Total RRP incl. VAT</b>	<b>-</b>



**802U MANUFAKTUR kalahari gold metallic<sup>1</sup>**

Mercedes-Maybach	<input type="radio"/>
Mercedes-Maybach First Class	<input type="radio"/>
Mercedes-Maybach Night Series	-
<b>Total RRP incl. VAT</b>	<b>£4,000.00</b>

<sup>1</sup>MANUFAKTUR magno matt paint finishes require extra care. Please refer to the Owner's Manual for instructions   Please note that, owing to limitations of on-screen representation, paint colours may differ from those shown

# Colour options Two-tone paints

Optional     Not available



**C10 obsidian black/mojave silver metallic**

Mercedes-Maybach	–
Mercedes-Maybach First Class	–
Mercedes-Maybach Night Series	<input type="radio"/>
<b>Total RRP incl. VAT</b>	<b>£13,650.00</b>



**C23 obsidian black/MANUFAKTUR kalahari gold metallic**

Mercedes-Maybach	<input type="radio"/>
Mercedes-Maybach First Class	<input type="radio"/>
Mercedes-Maybach Night Series	–
<b>Total RRP incl. VAT</b>	<b>£13,650.00</b>



**C31 high-tech silver/selenite grey metallic**

Mercedes-Maybach	<input type="radio"/>
Mercedes-Maybach First Class	<input type="radio"/>
Mercedes-Maybach Night Series	–
<b>Total RRP incl. VAT</b>	<b>£13,650.00</b>



**C33 obsidian black/high-tech silver metallic**

Mercedes-Maybach	<input type="radio"/>
Mercedes-Maybach First Class	<input type="radio"/>
Mercedes-Maybach Night Series	–
<b>Total RRP incl. VAT</b>	<b>£13,650.00</b>



**C12 obsidian black/selenite grey metallic**

Mercedes-Maybach	<input type="radio"/>
Mercedes-Maybach First Class	<input type="radio"/>
Mercedes-Maybach Night Series	–
<b>Total RRP incl. VAT</b>	<b>£13,650.00</b>



**C28 nautic blue/high-tech silver metallic**

Mercedes-Maybach	<input type="radio"/>
Mercedes-Maybach First Class	<input type="radio"/>
Mercedes-Maybach Night Series	–
<b>Total RRP incl. VAT</b>	<b>£13,650.00</b>



**C38 verde silver/MANUFAKTUR opalite white bright metallic**

Mercedes-Maybach	<input type="radio"/>
Mercedes-Maybach First Class	<input type="radio"/>
Mercedes-Maybach Night Series	–
<b>Total RRP incl. VAT</b>	<b>£13,650.00</b>



**C37 MANUFAKTUR opalite white bright/obsidian black metallic**

Mercedes-Maybach	<input type="radio"/>
Mercedes-Maybach First Class	<input type="radio"/>
Mercedes-Maybach Night Series	<input type="radio"/>
<b>Total RRP incl. VAT</b>	<b>£13,650.00</b>

Please note that, owing to limitations of on-screen representation, paint colours may differ from those shown

# Maybach Exclusive nappa leather MANUFAKTUR package

This package enhances the exciting Maybach aesthetics of the interior with exquisite materials.

**Maybach Exclusive nappa leather MANUFAKTUR package (code DPL)\*** – designed and priced as a package.

**Available on Mercedes-Maybach S 680 First Class only Total incl. VAT £28,000.00**

\*MBUX Interior Assist (front and rear) removed when selected

## Consisting of:

MANUFAKTUR black piano lacquer trim with flowing lines

MANUFAKTUR roof liner in nappa leather with topstitching, finished in crystal white

Front centre console sides in nappa leather with topstitching

Insert in the door sill panels in nappa look

Maybach Exclusive nappa leather – MANUFAKTUR crystal white/silver grey pearl (code 519A)

Multifunction steering wheel in wood/leather

Sun visors, pockets on driver's and front-passenger's backrest, window frame, A-, B- and C-pillar covered with nappa leather

Two upholstery cushions covered in nappa in appointments colour, with diamond quilting and Mercedes-Maybach logo plus piping in contrasting colour

Upper and side cover on the instrument panel covered in nappa leather



# Standard equipment

● Standard    – Not available

## Engine, Transmission and Suspension

	S 580 4MATIC	S 580 4MATIC First Class	S 680 4MATIC Night Series	S 680 4MATIC First Class	S 680 4MATIC First Class Night Series	S 680 4MATIC First Class Night Series
9G-TRONIC 9-speed automatic transmission with steering column gear selector, steering wheel gearshift paddles (Direct Select) and SPEEDTRONIC cruise control	●	●	●	●	●	●
76-litre fuel tank	●	●	●	●	●	●
DYNAMIC SELECT with a choice of driving modes	●	●	●	●	●	●
E-ACTIVE BODY CONTROL – superb ride comfort and outstanding stability on dry, wet and slippery road surfaces. Fully active, electrohydraulic suspension based on a 48 V system, four DYNAMIC SELECT driving modes: 'Comfort', 'Curve', 'Sport' and 'ECO'	●	●	●	●	–	–
ECO start/stop function	●	●	●	●	●	●
EQ Boost starter-alternator (48V Mild Hybrid Technology)	●	●	●	●	–	–
Petrol particulate filter	●	●	●	●	●	●
Suspension – AIRMATIC air suspension with air suspension struts at the front and rear axle, automatic level control system, dependent on load: load detection for a constant suspension level, suspension level can be raised for rough roads and is automatically lowered at high speeds	–	–	–	–	●	●

## Exterior

Air inlet grille in the front apron in high-gloss black	●	●	●	●	–	●
Air inlet grille in the front apron in high-gloss chrome	–	–	–	–	●	–
Automatically dimming inside rear-view mirror and driver's outside mirror including surround lighting with projection of brand logo in the form of a Mercedes-Maybach logo	●	●	●	●	●	●
Badge – 'Maybach' lettering and model badge on the boot lid in Maybach-specific lettering	●	●	●	●	●	●
Badge – Mercedes-Maybach badge on C-pillar	●	●	●	●	●	●
Badge – V12 badge in Maybach-specific lettering on the front wing	–	–	–	–	●	●
Chrome trim strip on the bonnet	●	●	●	●	●	●
Comfort doors in the rear	●	●	●	●	●	●

	S 580 4MATIC	S 580 4MATIC First Class	S 680 4MATIC Night Series	S 680 4MATIC First Class	S 680 4MATIC First Class Night Series	S 680 4MATIC First Class Night Series
Exclusive exterior design elements in dark shadow gloss	–	–	●	●	–	●
Exterior mirrors – ambient lighting with projection of brand logo	●	●	●	●	●	●
Grey-painted brake callipers with 'Mercedes-Benz' lettering at the front, at the rear with grey logo badge	●	●	●	●	●	●
HANDS-FREE ACCESS	●	●	●	●	●	●
Headlamps – DIGITAL LIGHT with projection function	●	●	●	●	●	●
Heat-insulating, dark-tinted, noise-insulating and infrared-reflecting laminated glass	●	●	●	●	●	●
Heated windscreen	●	●	●	●	●	●
KEYLESS-GO with seamless door handles	●	●	●	●	●	●
Large compound brake discs, 360 × 26 mm, internally ventilated and perforated at the rear	●	●	●	●	●	●
Large compound brake discs, 390 × 36 mm, internally ventilated and perforated at the front	●	●	●	●	●	●
Lights – 2-piece LED tail lights with Maybach-specific 3D logo projection	●	●	●	●	●	●
MAGIC VISION CONTROL – adaptive windscreen wiper system, heated	●	●	●	●	●	●
Panoramic sliding sunroof	●	●	●	●	●	●
Power closing doors and boot lid – the assisted closing function closes doors smoothly and almost silently	●	●	●	●	●	●
Radiator grille with 27 vertical struts in high-gloss black, black surround with centrally positioned 'Maybach' lettering	–	–	●	●	–	●
Radiator grille with 27 vertical struts in high-gloss chrome, chrome surround with centrally positioned 'Maybach' lettering	●	●	–	–	●	–
Rear apron – Maybach-specific chromed tailpipes in transverse-strut design with horizontal insert integrated into the rear apron	●	●	●	●	●	●
Rear apron – rear apron in the colour of the vehicle, lower part in high-gloss black with chrome trim strip between the tailpipes	●	●	–	–	●	–

# Standard equipment

● Standard    △ Part of an optional package    – Not available

## Exterior (continued)

	S 580 4MATIC	S 580 4MATIC First Class	S 680 4MATIC Night Series	S 680 4MATIC First Class	S 680 4MATIC First Class Night Series
Remote boot lid closing – open and close the boot lid from the driver's seat, while standing at the boot, or by using the vehicle key	●	●	●	●	●
Surround lighting with animated projection of the Mercedes-Maybach pattern	–	–	●	●	●
TIREFIT	●	●	●	●	●
Vehicle key in high-gloss black with ornamental frame in dark shadow gloss	–	–	●	●	●
Vehicle key in high-gloss white with ornamental surround in high-gloss rosé gold	●	●	–	–	–

## Steering

Direct steering	●	●	●	●	●
Multifunction steering wheel in nappa leather with 'Maybach' lettering	–	●	–	–	–
Multifunction steering wheel in wood/leather with 'Maybach' lettering in the vertical spoke <sup>1</sup>	●	–	●	●	△
Rear-axle steering with 4.5° steering angle adjustment	–	●	–	●	●
Rear-axle steering with 10° steering angle adjustment	●	–	●	–	–
Steering column gear selector	●	●	●	●	●
Steering wheel gearshift paddles	●	●	●	●	●

## Wheels

20" Maybach forged wheels – 5-hole design with a high-gloss polished ceramic finish including fully integrated wheel bolt cover with 255/40 R20 tyres (code R61)	●	–	–	–	–
20" Maybach forged wheels – 5-hole design painted high-gloss black including fully integrated wheel bolt cover with 255/40 R20 tyres (code R12)	–	–	●	●	●
21" Maybach forged wheels – multi-spoke design, bi-chromatic look including fully integrated wheel bolt cover with 265/35 R21 tyres (code 70R)	–	●	–	–	–

<sup>1</sup>On Mercedes-Maybach S 680 4MATIC First Class only in conjunction with MAYBACH Exclusive nappa leather MANUFATUR package (code DPL)

	S 580 4MATIC	S 580 4MATIC First Class	S 680 4MATIC Night Series	S 680 4MATIC First Class	S 680 4MATIC First Class Night Series
Locking wheel nuts	●	●	●	●	●
Noise-reduced tyres with foam absorber	●	●	●	●	●
Summer tyres	●	●	●	●	●

## Interior

12 V socket in rear of centre console plus in the front passenger footwell	●	●	●	●	●
Adaptive rear compartment lighting	●	●	●	●	●
Ambient lighting with Maybach-specific light colours amethyst glow and rosé gold white	●	●	●	●	●
Automatically dimming rear view mirror	●	●	●	●	●
Centre console in a black crystal-look finish	●	●	●	●	●
Champagne flutes	–	●	–	●	●
Chauffeur package	●	●	●	●	●
Door sill panels with 'Maybach' lettering at front and rear, illuminated	●	●	–	–	–
Door sill panels with 'Maybach Night Series' lettering with exchangeable cover, illuminated	–	–	●	●	●
Double sun visors	●	●	●	●	●
EASY ADJUST luxury head restraints with additional cushion for driver and front passenger, foldable and removable on front passenger side	●	●	●	●	●
EASY-ENTRY system to make it easier for the driver to get in and out	●	●	●	●	●
Electrically adjustable rear seats including memory function	●	●	●	●	●
Electric sunblinds in rear doors, left and right	●	●	●	●	●
Electric sunblind for rear window	●	●	●	●	●
ENERGIZING AIR CONTROL	●	●	●	●	●
Exclusive Trim package	●	●	●	●	●

# Standard equipment

● Standard    △ Part of an optional package    – Not available

## Interior (continued)

	S 580 4MATIC	S 580 4MATIC First Class	S 680 4MATIC Night Series	S 680 4MATIC First Class	S 680 4MATIC First Class Night Series
Extended rear centre armrest with two temperature controlled cup holders	–	●	–	●	●
Folding tables in the rear	–	●	–	●	●
High-pile floor mats	●	●	●	●	●
Load Compartment package	●	●	●	●	●
MANUFAKTUR backrests in wood	–	●	–	●	●
Memory package – electrically adjustable driver and front passenger seats, steering column and exterior mirrors, with three storable positions	●	●	●	●	●
Net in front passenger footwell	●	●	●	●	●
Power closing function	●	●	●	●	●
Rear centre armrest with double cup holder	●	–	●	–	–
Refrigerated compartment in the rear	–	●	–	●	●
Seats – Active Multicontour Seat package	●	●	●	●	●
Seats – climatised front and rear seats	●	●	●	●	●
Seats – four-way lumbar support for driver and front passenger	●	●	●	●	●
Seats – heated front and rear seats	●	●	●	●	●
Seats – Rear Seat Comfort package	●	●	●	●	●
Seats – Seat Heating Plus for driver and front passenger seats	●	●	●	●	●
Seats – Seat Heating Plus for outer rear seats	●	●	●	●	●
Seats – seat on front passenger side electrically adjustable from the rear	●	●	●	●	●
Seats – two luxury executive rear seats	–	●	–	●	●
Sun Protection package	●	●	●	●	●
THERMOTRONIC 4-zone automatic climate control	●	●	●	●	●
Through-loading feature	●	●	●	●	●

Two luggage nets in the boot (only one luggage net depending on optional equipment)	●	●	●	●	●
Warmth Comfort package	●	●	●	●	●

## Paint, Trim and Upholstery

Paint – metallic	●	●	●	●	●
Roof liner – DINAMICA roof liner, in black or macchiato beige depending on upholstery	●	–	●	–	–
Roof liner – nappa leather roof liner, in black or macchiato beige depending on upholstery	–	●	–	●	●
Trim – MANUFAKTUR black piano lacquer trim with flowing lines <sup>1</sup>	●	–	●	–	△
Trim – MANUFAKTUR brown open-pore walnut wood trim with aluminium lines	–	●	–	–	●
Trim – MANUFAKTUR open-pore dark brown fishbone pattern walnut wood	–	–	●	●	–
Upholstery – Maybach Exclusive nappa leather	●	●	●	●	●

## Safety and Assistance Systems

Anti-lock braking system (ABS) with Brake Assist (BAS)	●	●	●	●	●
Driving Assistance package <sup>2</sup>	●	●	●	●	●
Adaptive brake lights	●	●	●	●	●
Airbags – front sidebags	●	●	●	●	●
Airbags – windowbags	●	●	●	●	●
Airbags – driver and front passenger	●	●	●	●	●
Airbags – centre airbag	●	●	●	●	●
Airbags – forward facing rear	●	●	●	●	●
Airbags – rear side airbags	●	●	●	●	●

<sup>1</sup>On Mercedes-Maybach S 680 4MATIC First Class only in conjunction with MAYBACH Exclusive nappa leather MANUFAKTUR package (code DPL)

<sup>2</sup>Our driver assistance and safety systems are aids and do not relieve you of your responsibility as the driver. Please take note of the information in the Owner's Manual and the system limits which are described therein

# Standard equipment

● Standard    – Not available

## Safety and Assistance Systems (continued)

	S 580 4MATIC	S 580 4MATIC First Class	S 680 4MATIC First Class Night Series	S 680 4MATIC First Class	S 680 4MATIC First Class Night Series	S 680 4MATIC First Class	S 680 4MATIC First Class Night Series
ATTENTION ASSIST	●	●	●	●	●	●	●
Automatic child seat recognition sensor	●	●	●	●	●	●	●
Belt feeders in the rear	●	●	●	●	●	●	●
Brake pad wear indicator – front brakes	●	●	●	●	●	●	●
Child presence detection	●	●	●	●	●	●	●
Crosswind Assist	●	●	●	●	●	●	●
Dashcam	●	●	●	●	●	●	●
Designer belt buckles front and rear	●	●	●	●	●	●	●
Electric parking brake	●	●	●	●	●	●	●
Electric Stability Program (ESP®) with Acceleration Skid Control (ASR)	●	●	●	●	●	●	●
First aid kit	●	●	●	●	●	●	●
GUARD 360° vehicle protection Plus <sup>1</sup>	●	●	●	●	●	●	●
Increased anti-theft protection	●	●	●	●	●	●	●
Intelligent parking pilot	●	●	●	●	●	●	●
Mercedes-Benz emergency call system <sup>1,2</sup>	●	●	●	●	●	●	●
Parking package with 360 camera	●	●	●	●	●	●	●
Pedestrian protection	●	●	●	●	●	●	●
Route-based speed adaptation	●	●	●	●	●	●	●
PRE-SAFE® Impulse	●	●	●	●	●	●	●
PRE-SAFE® system including PRE-SAFE sound	●	●	●	●	●	●	●
Rear belt status indication in the instrument display	●	●	●	●	●	●	●

	S 580 4MATIC	S 580 4MATIC First Class	S 680 4MATIC First Class Night Series	S 680 4MATIC First Class	S 680 4MATIC First Class Night Series	S 680 4MATIC First Class	S 680 4MATIC First Class Night Series
Tyre pressure loss warning system	●	●	●	●	●	●	●

## Communications and In-Car Entertainment

3D driver display	●	●	●	●	●	●	●
Accident recovery and breakdown management <sup>1,3</sup>	●	●	●	●	●	●	●
Communications module (LTE Advanced) for the use of Mercedes me connect services <sup>1,3</sup>	●	●	●	●	●	●	●
DAB digital radio	●	●	●	●	●	●	●
Geofencing <sup>1</sup>	●	●	●	●	●	●	●
Hard-disc navigation	●	●	●	●	●	●	●
Fingerprint scanner	●	●	●	●	●	●	●
Maintenance management <sup>3</sup>	●	●	●	●	●	●	●
MBUX augmented reality for navigation	●	●	●	●	●	●	●
MBUX augmented reality head-up display	●	●	●	●	●	●	●
MBUX extended functions <sup>1</sup>	●	●	●	●	●	●	●
MBUX High-End Rear Seat Entertainment System	●	●	●	●	●	●	●
MBUX Interior Assist (front and rear) <sup>4</sup>	●	●	●	●	●	●	●
MBUX navigation premium	●	●	●	●	●	●	●
MBUX rear tablet	●	●	●	●	●	●	●
OLED central display	●	●	●	●	●	●	●
Parked vehicle locator <sup>1</sup> – available to use free of charge for three years following activation <sup>3</sup> , shows the position of the parked vehicle in a radius of approx. 1 mile	●	●	●	●	●	●	●

<sup>1</sup>The connection of the communication module to the mobile phone network including the emergency call system depends on the respective network coverage and availability of network providers and also accept the Terms of Use for the Mercedes me connect services. In addition, the respective vehicle must be paired with the user account. Upon expiry of the initial term, the services can be extended for a fee. Initial activation of the services is possible within one year of first registration or commissioning by the customer, whichever occurs first

<sup>2</sup>Please be aware Mercedes-Benz emergency call system comes as standard for the first 10 years of the vehicle's lifecycle

<sup>3</sup>To use this service, you must register on the Mercedes me portal

<sup>4</sup>Removed when MAYBACH Exclusive

# Standard equipment

● Standard    – Not available

## Communications and In-Car Entertainment (continued)

	S580 4MATIC	S580 4MATIC First Class	S680 4MATIC Night Series	S680 4MATIC First Class	S680 4MATIC First Class Night Series
Personalisation <sup>1</sup> – available to use free of charge for three years following activation <sup>2</sup> , stores settings such as the radio station or navigation destination in the personal driver profile and enables these to be used in vehicles with the same telematics generation, the profile can be linked to the key, and the functions can therefore already be activated before getting in	●	●	●	●	●
Pre-installation for Car Sharing <sup>1</sup>	●	●	●	●	●
Pre-installation for Navigation Services <sup>1</sup> – display of online content on the navigation map, parking spaces, weather information, local search	●	●	●	●	●
Remote Door Locking and Unlocking <sup>1</sup> – available to use free of charge for three years following activation <sup>1</sup> , provides convenient remote monitoring	●	●	●	●	●
Remote parking package <sup>1</sup> – available to use free of charge for 3 years following activation <sup>2</sup>	●	●	●	●	●
Remote retrieval of vehicle status <sup>1,2</sup> – shows mileage, tyre pressure, washer fluid level, etc.	●	●	●	●	●
Remote vehicle diagnostics <sup>1,2</sup> – enables better support in the workshop by allowing the Mercedes-Benz service partner to query the vehicle status prior to an upcoming workshop appointment	●	●	●	●	●
Remote vehicle finder <sup>1</sup> – available to use free of charge for three years following activation <sup>2</sup> indicators activated via the app help to draw attention to the vehicle, for example in large, confusing car parks	●	●	●	●	●
Send2Car function <sup>1</sup> – available to use free of charge for three years following activation <sup>2</sup> , sends selected addresses via the app to the vehicle's navigation system, for example POIs or restaurants	●	●	●	●	●
Sliding sunroof/windows with remote closing <sup>1</sup> and opening including ventilation function to use free of charge for three years following activation <sup>2</sup> for a breath of fresh air in the vehicle available	●	●	●	●	●
Software update <sup>2</sup> – updates the software of the vehicle's systems without having to visit the workshop	●	●	●	●	●

Sound personalisation – a setup assistant with innovative algorithms identifies your music preferences together with you and sets the Burmester® sound system to match your requirements. It stores the result in a personal profile	●	●	●	●	●
Sound system – Burmester® high-end 4D surround sound system	●	●	●	●	●
Speed fencing <sup>1</sup> – available to use free of charge for 3 years following activation <sup>2</sup> , also lists when and where the pre-defined speed was exceeded	●	●	●	●	●
Stolen Vehicle Help <sup>1</sup> (free of charge for 3 years from activation) – this service reduces the bureaucratic effort required and gives you an advantage in terms of time. In the event of theft, you can report it to the police. You can transfer the police file number (depending on country) plus the relevant vehicle and owner information quite simply via app to our certified partner's security centre. This centre will then coordinate with the local police station to track your vehicle	●	●	●	●	●
Telediagnosics <sup>1,2</sup> – notifies the Customer Assistance Centre or the preferred Mercedes-Benz service partner when components with diagnostics capability need replacing (e.g. brake pads) and enables contact to be made via a pop-up message in the vehicle's multimedia system	●	●	●	●	●
TV receiver	●	●	●	●	●
Two USB-C ports at the front and rear	●	●	●	●	●
Two wireless head sets	–	●	–	●	●
USB Plus package – four additional USB-C connections, two at the front and in the rear	●	●	●	●	●
Vehicle tracker	●	●	●	●	●
Valet protect <sup>1</sup> – available to use free of charge for 3 years following activation <sup>2</sup> notifies via the app when the ignition is switched on/off and when the vehicle moves outside a defined radius (0.6, 1.5 or 3 miles)	●	●	●	●	●
Wireless smartphone integration <sup>3</sup>	●	●	●	●	●
Wireless charging system for mobile devices in the front and rear <sup>3</sup>	●	●	●	●	●

<sup>1</sup>The connection of the communication module to the mobile phone network including the emergency call system depends on the respective network coverage and availability of network providers the user account. Upon expiry of the initial term, the services can be extended for a fee. Initial activation of the services is possible within 1 year of first registration or commissioning by the customer,

<sup>2</sup>To use this service, you must register on the Mercedes me portal and also accept the Terms of Use for the Mercedes me connect services. In addition, the respective vehicle must be paired with whichever occurs first <sup>3</sup>Compatible smartphone required. For further details please visit <https://www.mercedes-benz-mobile.com/>

# Technical data

- Standard

Model		Mercedes-Maybach S 580 4MATIC	Mercedes-Maybach S 680 4MATIC
<b>Engine</b>			
Fuel delivery		Petrol	Petrol
Total displacement	cc	3,982	5,980
Arrangement/cylinders/valves		V/8/32	V/12/48
Power <sup>1</sup>	hp (kW) at rpm	503 (370)/5,500	612 (450)/ 5,100–5,500
Torque <sup>1</sup>	Nm at rpm	700/2,000–4,500	900/2,000–4,500
Compression ratio		10.5:1	9.0:1
Emissions standard		Euro 6e	Euro 6e
<b>Transmission</b>			
9G-TRONIC 9-speed automatic		●	●
<b>Performance</b>			
Acceleration 0–62 mph	sec	4.8	4.5
Top speed	mph	155	155
<b>Weights and capacities</b>			
Kerb weight <sup>2</sup>	kg	2,559–2,584	2,548–2,569
Perm. Gross Vehicle Weight	kg	2,910	2,890
Boot capacity	l	505	495
Fuel tank capacity/of which reserve	l	76/8	76/8
Turning circle	m	13.4	13.4

<sup>1</sup>Figures according to Directive 80/1269/EEC in the currently applicable version    <sup>2</sup>Mass of the vehicle in running order with at least 90% full fuel tank, plus the mass of the driver (estimated by law at 75 kg), fuel and fluids, equipped with the standard equipment as specified by the manufacturer as well as, where applicable, the mass of the body, cab, trailer coupling and spare wheel(s) as well as tools. Optional extras, additional equipment and accessories can influence the weight, residual payload, rolling resistance, aerodynamics, etc., and therefore also affect the consumption/CO<sub>2</sub> values

# Technical data

Model	Mercedes-Maybach S 580 4MATIC		Mercedes-Maybach S 680 4MATIC	
<b>Fuel consumption<sup>3A5</sup></b>				
Combined (consumption dependent on chosen optional equipment)	l/100 km	11.3-10.7	14.1-13.5	
	mpg	25.0-26.4	20.0-20.9	

Insurance				
Group rating		50E		50E

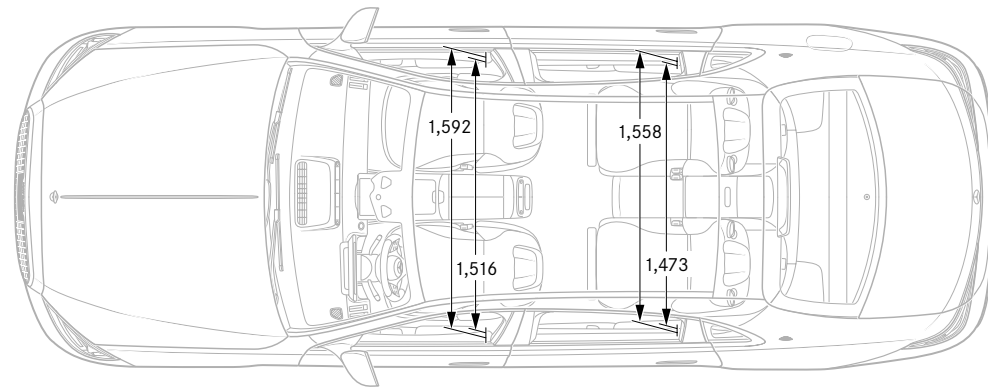
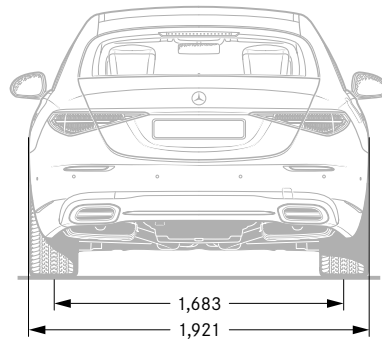
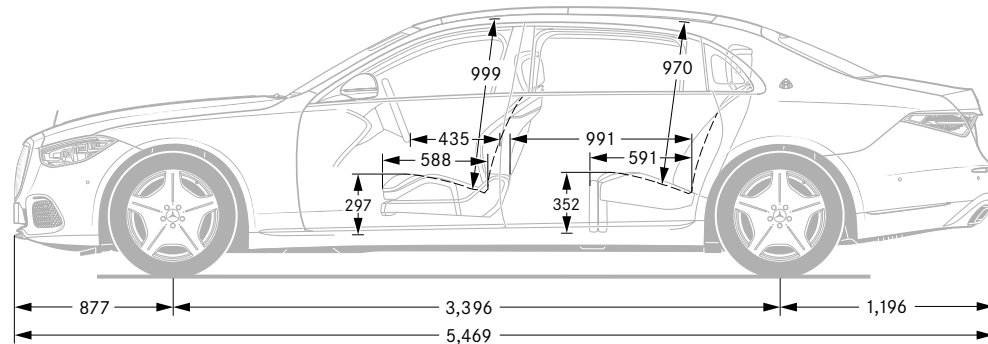
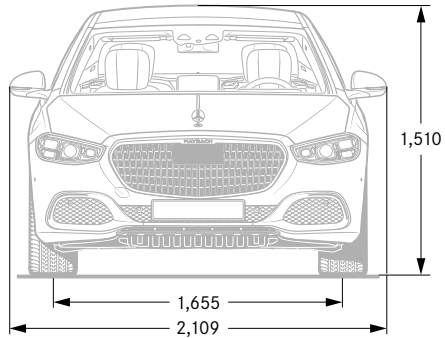
Insurance ratings may vary depending on model line and specification. Please refer to <http://www.thatcham.org/abigrouprating/> for further details

<sup>3</sup>All figures are based on a standard specification with the smallest tyre size available in the UK

<sup>4</sup>The choice of wheels and transmission may affect CO<sub>2</sub> emissions and corresponding Road Fund Licence

<sup>5</sup>The indicated values were determined according to the prescribed measurement method - Worldwide Harmonised Light Vehicle Test Procedure (WLTP). Figures shown may include options which are not available in the UK

# Mercedes-Maybach S 580 4MATIC and S 680 4MATIC



All measurements in millimetres. The dimensions shown are mean values and apply to standard-specification, unladen vehicles

Design	Technology	Safety	Model lines	Upholstery & trim	Model prices	Personalisation	Standard equipment	Technical data	Additional information
--------	------------	--------	-------------	-------------------	--------------	-----------------	--------------------	----------------	------------------------

# Road Fund Licence

All road vehicle registrations are subject to Vehicle Excise Duty (Road Fund Licence), which varies in accordance with the vehicle's CO<sub>2</sub> emissions. A first year rate for each taxation band will apply. The table below shows the bands (A-M) created by the DVLA and the corresponding Road Fund Licence. CO<sub>2</sub> emissions and the relevant Excise Duty are shown on the model pricing pages.

Band	CO <sub>2</sub> emissions (g/km)	First year rate petrol and RDE2 diesel (£)	First year rate alternative fuel (£)	Electric vehicles		Alternative fuel vehicles		Petrol/diesel vehicles	
				Standard rate (£)	Premium rate (£) <sup>1</sup>	Standard rate (£)	Premium rate (£) <sup>1</sup>	Standard rate (£)	Premium rate (£) <sup>1</sup>
A	0	0.00	0.00	0.00	0.00	0.00	0.00	0.00	0.00
B	1 to 50	10.00	0.00	0.00	0.00	180.00	590.00	190.00	600.00
C	51 to 75	30.00	20.00	0.00	0.00	180.00	590.00	190.00	600.00
D	76 to 90	135.00	125.00	0.00	0.00	180.00	590.00	190.00	600.00
E	91 to 100	175.00	165.00	0.00	0.00	180.00	590.00	190.00	600.00
F	101 to 110	195.00	185.00	0.00	0.00	180.00	590.00	190.00	600.00
G	111 to 130	220.00	210.00	0.00	0.00	180.00	590.00	190.00	600.00
H	131 to 150	270.00	260.00	0.00	0.00	180.00	590.00	190.00	600.00
I	151 to 170	680.00	670.00	0.00	0.00	180.00	590.00	190.00	600.00
J	171 to 190	1,095.00	1,085.00	0.00	0.00	180.00	590.00	190.00	600.00
K	191 to 225	1,650.00	1,640.00	0.00	0.00	180.00	590.00	190.00	600.00
L	226 to 255	2,340.00	2,330.00	0.00	0.00	180.00	590.00	190.00	600.00
M	over 255	2,745.00	2,735.00	0.00	0.00	180.00	590.00	190.00	600.00



Some of the model features, optional extras and colours shown may not be available, or may only be available in a different specification, or at a different price  
<sup>1</sup>Premium rate only applicable to vehicles where the list price is over £40,000 including any factory-fitted options, standard UK delivery charge and VAT

# Services and insurance

## Mercedes-Benz ServiceCare

We believe that servicing costs should be as flexible and affordable as possible for your S-Class, which is why we offer ServiceCare, an easy way to budget for all your servicing costs. It spreads your bills into manageable payments based on whether you have a new or used Mercedes-Benz. With ServiceCare we guarantee the price of parts and labour for up to four services and safeguard against any further inflation. It also covers the cost of all recommended service items including brake fluid, spark plugs, air filters, fuel filters and screen wash. You can choose either to add your servicing costs into your monthly spend or pay the full amount in a one-off payment, giving you peace of mind that they are taken care of for the period of the plan.

[> Click here for more information](#)

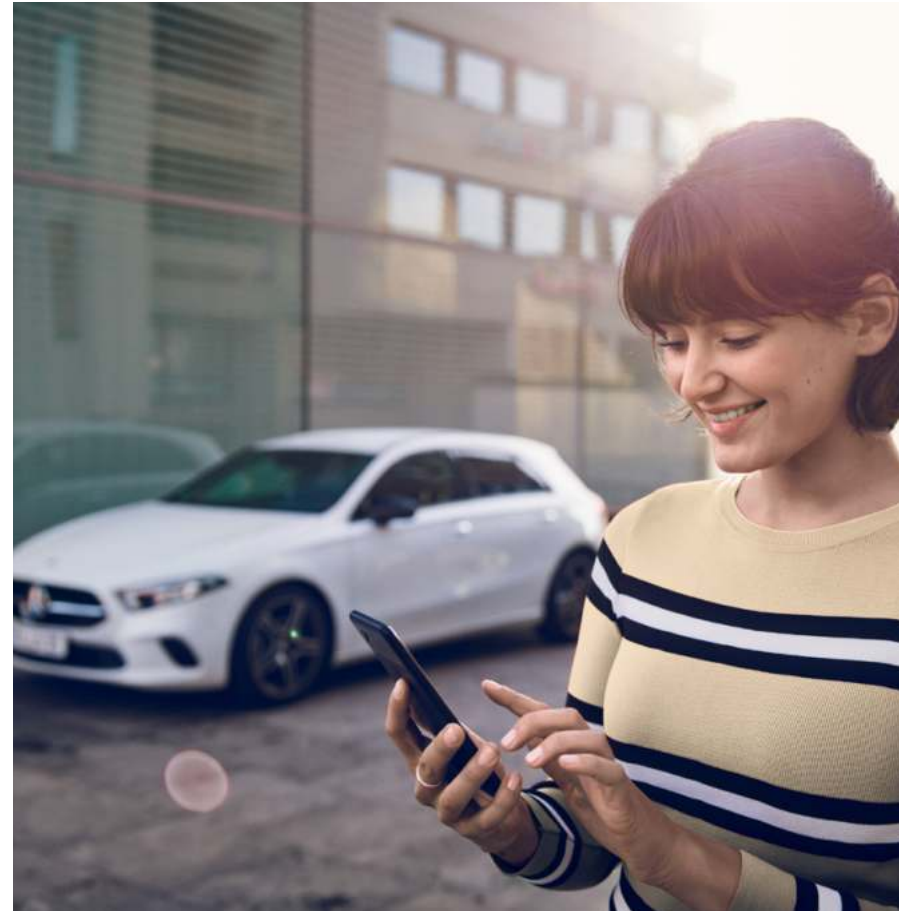
## Warranty and breakdown cover

Every Mercedes-Benz comes with a three-year unlimited mileage warranty against manufacturing or material defects<sup>1</sup> and up to 30 years warranty against perforation due to corrosion from the inside out.<sup>2</sup> What's more, it's also covered by Mercedes-Benz Roadside Assistance – a unique package comprising up to 30 years pan-European breakdown assistance.<sup>2</sup>

## Motor Insurance

We know that once you have chosen your Mercedes-Benz you can't wait to drive it – that's why we created First Cover<sup>3</sup>. It gives you 7 days' free comprehensive Motor Insurance when you buy a new or used vehicle from a Mercedes-Benz Agent. We will also send you a quote for annual cover, so you can enjoy the same peace of mind all year round.

[> Apply for First Cover](#)



<sup>1</sup>Applies to vehicles sold by Mercedes-Benz in the UK to its franchised Mercedes-Benz Agents

<sup>2</sup>Subject to full Terms and Conditions, dependent on date of registration, available upon request

<sup>3</sup>Terms and Conditions apply. We are an independent intermediary dealing with selected insurers in respect of annual insurance



Effective from July 2024 Production. Information correct at time of publication 25.04.2024.

Prices and specifications are subject to change without prior notice.

MBWZ223/0424 MY805

