



MITSUBISHI
MOTORS

INTELLIGENT MOTION



ASX

A COMPACT CROSSOVER FROM THE EXPERTS

A PERFECT FIT FOR YOUR LIFESTYLE

Individual, innovative, versatile, capable, the ASX is the smart and efficient compact crossover with a conscience, and it will fit your life like a glove.

Like so many Mitsubishi models before it, quietly and without fanfare the ASX has become the vehicle of choice amongst real people who have real families to ferry around in the real world. It comes with a choice of three lightweight, low-environmental impact engines (one petrol and two diesel), a choice of two- or all-wheel drive, top-of-the-class safety features, truly impressive low-emissions technology, edgy styling, a nimble drive, and plenty of room to swallow even the lankiest of families whole.

In all, the Mitsubishi ASX is a car which will accommodate your needs and reflect your values, and it will bring a little extra joy into your life along the way.



“What a cracking car!

If you are after a practical car with a bit of style have a look at the ASX; you may be presently surprised.” Smiffy 008, Wigan



“I would strongly recommend this car to anyone considering buying a crossover. It is brilliant and excellent value for money.” AG, Berkshire





COMPACT CAR WITH AN OUTSIZE PEDIGREE

Over the years Mitsubishi has been quietly innovative in terms of automotive engineering: our Shoguns and Evolutions set the benchmark in four-wheel drive technology and we are recognised as bringing entirely new engine, drivetrain and transmission developments to the passenger car market.

We are known for finding clever ways to maximise on space. We were the first manufacturer to introduce the layout now universally known as an MPV; we introduced the concept of tall cars with a small footprint; and a Mitsubishi was the very first double cab pick up truly suited to European roads, establishing a whole new niche market.

Now we're leading the way in reducing CO₂ emissions with a range of vehicles which can be truly lean and clean without need for compromise: the Outlander PHEV is more than just the world's first SUV plug-in hybrid electric vehicle, it's the first hybrid electric vehicle to offer a truly viable package and sales reflect this fact.

The Mitsubishi ASX may be compact, but when it comes to intelligent motion it's outsize, so it's equipped with a whole host of low environmental-impact, fuel-saving technologies, including Auto Stop & Go, a high-efficiency alternator and low-friction tyres. It features electric instead of hydraulic power steering, and will even tell you precisely the best time to change gear. On paper this makes the ASX a very clever car indeed; in practice it makes it a very good one to have around.

Mitsubishi has long been acknowledged
to be the clever car company.

INTELLIGENT MOTION

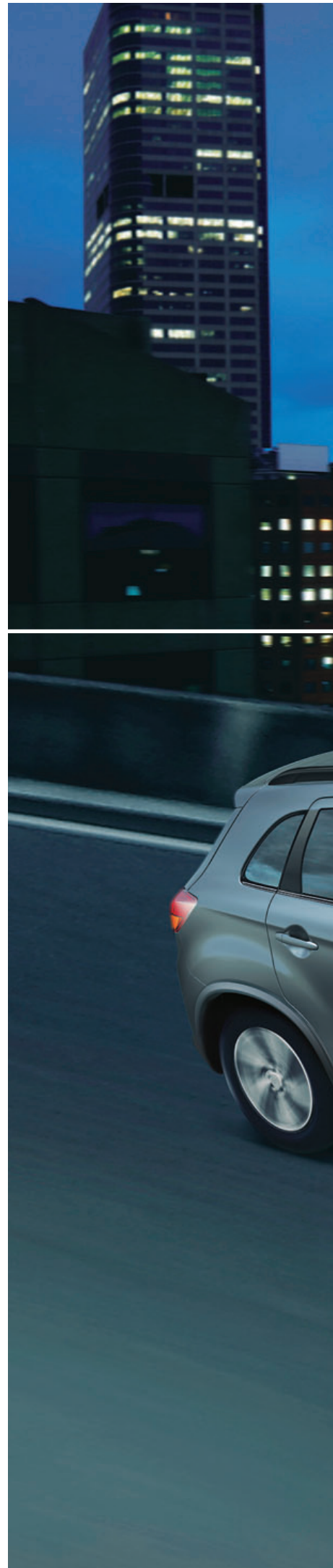
INTELLIGENT MOTION ON THE ROAD

As a manufacturer we never stop working to make all of our engines cleaner and more efficient.

The 1.6 litre petrol power plant is a free-revving engine which is a joy to wind up, gives good economy and excellent CO₂ emissions. Cleaner still is the 1.6 litre diesel option, which delivers that all-important excellent in-gear flexibility with a strong spread of power and plenty of pull low down. But if the ability to really hustle on a whim is a priority, then opt for the 2.2 litre direct injection diesel with clever INVECS II automatic transmission. With 150 PS to call on it delivers more than enough punch when you put pedal to metal, yet its frugal and clean-running nature returns a highly respectable average of over 48 mpg.

Whichever engine you choose, in the ASX it's matched by well-weighted steering and a super-sorted chassis, whose forgiving nature soaks up the lumps and bumps with ease - safe and well judged for British roads.

61.4MPG
AND CO₂ EMISSIONS 119 G/KM

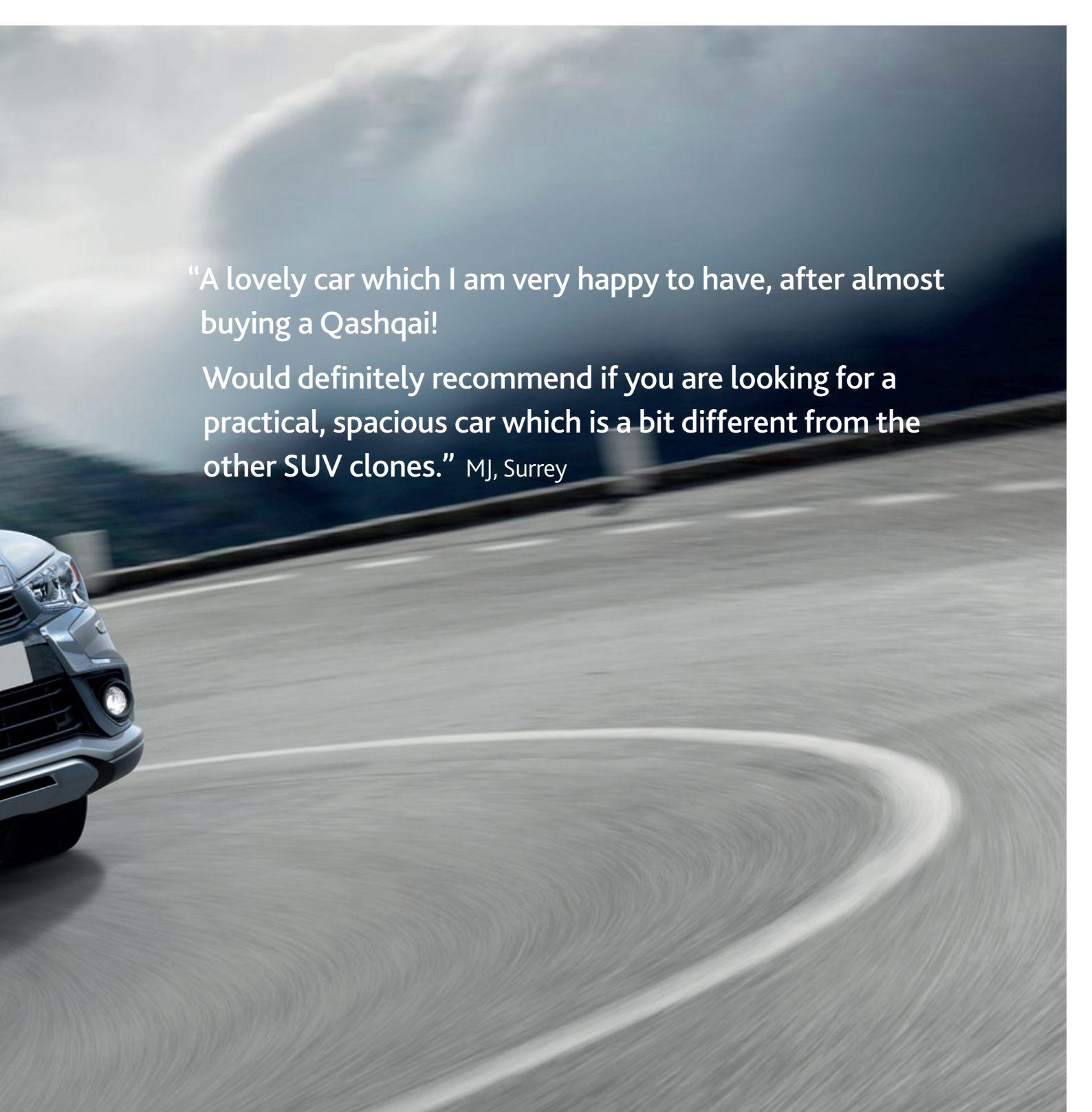


“The ride is fantastic: it’s supple yet very stable, soaking up awful road surfaces as well as stupidly large speed humps really well.

Handling again is a revelation for this type of car, body roll is kept to a minimum and front end grip is very good, only progressing to very manageable understeer when pressed too hard.” SD’C, Merseyside





A Mitsubishi SUV is shown from the front-left corner, driving on a road. The background is heavily blurred to convey a sense of speed and motion. The sky is overcast with grey clouds.

“A lovely car which I am very happy to have, after almost buying a Qashqai!

Would definitely recommend if you are looking for a practical, spacious car which is a bit different from the other SUV clones.” MJ, Surrey

GETTING A GRIP WITH 4x4

Given Mitsubishi's 4x4 heritage, it is not surprising that this is one compact crossover which not only offers a choice of engines, but also offers the option of all-wheel drive.

ASX 4 and ASX 5 vehicles come with a selectable, on-demand all-wheel drive system which will give you the best of all possible worlds, providing extra grip when you need it, yet still returning excellent fuel economy. This is because four wheel drive is only ever engaged when it is needed.

In practice this means that for everyday driving in normal weather conditions the vehicle runs in front-wheel drive but, when you want to bring the rear wheels into action, you have two four-wheel drive modes to choose from: 'AUTO' which provides better grip on slippery road surfaces and greater stability when powering out of junctions or towing on the highway, and 'LOCK' which gives you the confidence to tackle more difficult terrain or really challenging weather conditions.



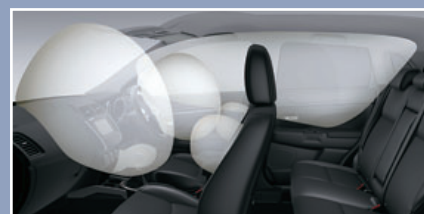
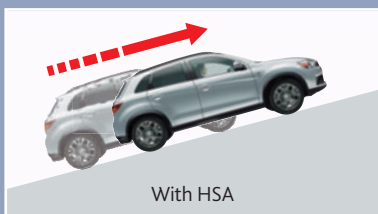
A RIGID APPROACH TO SAFETY

Benefitting from the lessons learned in many of Mitsubishi's larger vehicles, the ASX enjoys a highly rigid body structure which results in improved driving dynamics, greater comfort and, vitally, increased safety.

Using Mitsubishi's proprietary RISE (Reinforced Impact Safety Evolution) system to integrate and interconnect the structural elements it provides a dramatic advance in multidirectional impact safety performance, dispersing energy loads during front, side and rear crashes and controlling distortion. These elements include a reinforced girdle body construction, the increased use of high-tensile steel (which also aids in the reduction of weight) and numerous crush box and energy absorbing structures; even the brake pedal features a push prevention system designed to reduce injuries to the driver's legs.

Active safety features include stability and traction controls, a tyre pressure monitoring system, daytime running lights and bi-xenon headlamps*, and extremely clever brakes; indeed, clever features are a real hallmark of this car – even ensuring that the braking action always takes precedence should you inadvertently press the brake and accelerator pedals simultaneously.

*Not ASX 2



SO MUCH MORE THAN ABS

The ASX is a clever car. Take the brakes, for example: anti-lock of course, complete with Electronic Brakeforce Distribution which automatically adjusts the brake effort to individual wheels to accommodate the location of weight. Then there is Brake Assist, providing power assistance to boost braking in an emergency situation, an Emergency Stop signal System, which automatically flashes the hazard warning lights at double speed to warn vehicles around you in such a situation, and Hill Start Assist (HSA), which maintains the braking force on a hill for about two seconds until the accelerator is applied.

SAFETY IN THE BAG

All models feature seven airbags, including dual front, side and driver's knee airbags to provide increased safety in the front, whilst curtain airbags provide protection in the event of a side collision. These work in conjunction with specially designed seats and headrests which allow the occupants' bodies to sink into the seats more quickly, thus providing extra support to the head and back and so aiding in the reduction of whiplash.



JUST THE RIGHT STYLE

Sophisticatedly monochromatic, employing a contrasting use of textures and materials for real visual impact; ergonomically designed and generous with equipment, the ASX exhibits considerable style.

And with an ASX you are always pampered. Even the entry model comes with electric windows and heated, folding door mirrors, manual air conditioning, a Bluetooth® hands-free 'phone connection, and leather gearshift knob and steering wheel with remote audio controls. Step up and the ASX 3 is even more extensively appointed, adding climate control air conditioning, heated front seats, cruise control, reversing camera, a DAB radio, and lights and wipers which switch themselves on and off.

To all this, ASX 4 4x4 models add satellite navigation, black leather seat trim and a wonderful panoramic glass roof, whilst ASX 5 replaces the black leather with premium Nappa leather seat trim in a choice of colours and matching door trim and an LED interior lighting package. Go on, spoil yourself!



Main image shows ASX 4 model interior.

“The spec of my car is way above a comparably priced SUV from other marques.” Brian, Dundee



JUST THE RIGHT SUBSTANCE

The ASX's sharp styling and short overhangs mean that it shoehorns a generous wheelbase into a compact footprint, giving you the very best of both worlds – loads of elbow, leg and head-room inside a vehicle which is just the right size for tackling our overcrowded urban roads.

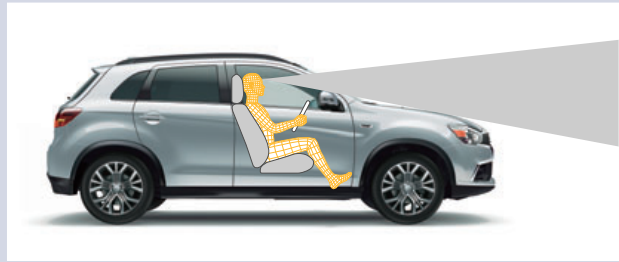
Its tall profile allows even the gangliest teenagers plenty of room in the back and makes the average hatchback seem uncomfortably snug by comparison. Indeed, it's extremely easy to get comfortable in the ASX: the steering wheel, leather wrapped on all models, adjusts for both rake and reach; the lighting is well planned, there are plenty of convenient pockets and cupholders and the overall finish combines quality fabrics or leather with pleasingly soft plastics. The seats are both comfortable and supportive and the size and positioning of the headrests are specifically designed to provide more support and reduce the possibility of whiplash.



“Paint finish and detail quality is superb, this car is the best kept secret!” MRH, Oldham

THE HIGH POINT

Taller than average dimensions combined with a sloping bonnet provide the slightly elevated view of the road characteristic of an SUV; the raised hip point also makes entry and exit easier and long journeys more comfortable.



“The leather seats are truly the most comfortable I have experienced in 50 years of motoring, with fantastic back support.” AG, Berkshire

JUST THE RIGHT USE OF SPACE

Decades of experience in designing multi-purpose, seven-seater vehicles, and as one of the very first manufacturers to introduce increased height into compact cars, Mitsubishi are experts in maximising the use of space: the ASX is the epitome of this expertise. It has a capacious, 393 litre boot with wide opening tailgate and low floor for easy access, as well as a large 26 litre underfloor tray, a 60:40 split rear bench seat and an easy-fold to flat facility so that you have the versatility to match your ever-changing needs.

“Seats are comfortable, ride is good, plenty of rear leg room and the boot more than adequate: I can get two full sets of golf clubs in the back with trolleys with the parcel shelf removed.

This car is so good at what it does for the money I can't believe that there aren't more out there.

My wife kept taking my car in preference to her new Fiesta, so in the end I swapped hers for a petrol 1.6 ASX2. She loves it but keeps telling me she wanted a white car, not a black one again, and now she wants to change it again for ASX3 diesel in white!” Paul, Warwickshire



DRIVING JUST FOR THE FUN OF IT

The ASX is practical yet fun, fast yet frugal.

It's easy to drive with willing engines, a well-sorted chassis and clever brakes; easy to park with a reversing camera*, and easy to live with, thanks in part to Mitsubishi's ETACS system which controls all those small but significant details which highlight the difference between a good car and a truly great one. Little things like headlights which stay on for a pre-programmable duration to light your way home; a highly intelligent wash/wipe system which seems to think for itself; and side mirrors which automatically retract when you lock the doors, ending those anonymously broken mirrors forever.

The ASX goes about its business quietly, thanks to clever noise and vibration isolation, and it's a Mitsubishi so you can expect it to continue doing so, day after day, after day. It will look after you; it will help to bring a smile to your face; and it will help to keep it there.

*Not ASX 2



“The ride is extremely comfortable - my brother and I travelled to Rome and back last summer without complaint. The performance is acceptable, getting from 0-60 in less than 10 seconds, and the fuel economy is exceptional – regularly clocking up over 55mpg.” PT



me & my MITSUBISHI

When you buy a new Mitsubishi, you not only get a safe and reliable vehicle that is a real pleasure to drive, you also become part of the Mitsubishi family. And as our nearest and dearest, we want you to feel protected should you ever encounter a problem – that's why we have **me&my**.

All new ASXs are provided with a comprehensive **five-year, 62,500-mile warranty**. Please ask your Authorised Mitsubishi Dealer for full details.

With the **Mitsubishi Assistance Package (MAP)** we go the extra mile. For the first three years following registration our assistance programme is there to help should you breakdown at the roadside or at home. It provides vehicle recovery following a breakdown or accident and help if your vehicle is stolen or vandalised and, if you should accidentally fill up with the wrong fuel, don't worry – we'll be there for you then too. What's more, you're covered 24/7 in over 30 countries throughout Europe. So whether you're on the daily school run or cruising through the Alps on your holidays, it's comforting to know that if the unexpected does happen, help is always at hand.

And should you be unlucky enough to have an accident we have **Mitsubishi First** – our customer support service for all Mitsubishi drivers following an accident. No matter which insurer you use, Mitsubishi First smooths your progress through an insurance claim, handling everything on your behalf – no hassle, no claim forms, no running about, and absolutely no cost to you.

And once you're part of the family... it's service with a smile.

A **Mitsubishi Service Plan**, purchased at the same time as your ASX, covers the first three scheduled services for a modest sum. It can be included in your vehicle's finance and transferred to a new owner if you sell.

Mitsubishi Motors also offer superior **insurance cover** at a competitive price which is specifically designed for Mitsubishi vehicles and uses only genuine parts and approved repair centres.



ACCESSORISE YOUR ASX

Based on Mitsubishi's Concept-cX show car the ASX is a stunning looking crossover and you can keep it in showroom-perfect condition with the special Protection Pack, comprising of a mat set, mud guards, boot liner and protection plates for those areas which suffer the most. Overleaf you will find further approved accessories to make the ASX an even more perfect fit for your lifestyle, all of which benefit from a three-year 62,500-mile warranty if fitted at the time of purchase. So before you place your order, consider carefully: talk to your dealer or visit the ASX accessories website at www.mitsubishi-cars.co.uk/ASX and make sure you make the most of your choice.

Please note: the design of some items may differ slightly from those illustrated.



1. Front mud guards
2. Rear mud guards
3. Front door entry guards
4. Boot tray
5. Rear bumper top protection plate
6. Front textile mat set, Classic

The above items form the ASX Protection Pack, available at a special price. All items are also available separately.

- 7. Tailgate garnish
- 8. Rear door entry guards
- 9. Rear dog guard
- 10. Front wind deflectors
- 11. Tow bar, detachable
- 12. Tow bar (detached – socket can be rotated to hide)
Fixed type also available



- 13. Front parking sensors (rear sensors also available)
- 14. Roof carrier for ASX 4/ASX 5 – shown with bike carrier
- 15. Roof carrier for ASX 4/ASX 5 – shown with luggage carrier
- 16. Roof carrier for ASX 2/ASX 3
- 17. Headrest DVD system
- 18. Space-saver spare wheel/tyre



ASX 2

1.6 2WD MANUAL



KEY FEATURES

- 16" alloy wheels
- Anti-lock Braking System with EBD, ESS & BA
- Mitsubishi Active Stability and Traction Control (M-ASTC)
- Hill Start Assist
- Front fog lamps with daytime running lights
- Privacy glass
- Gloss black and chrome front grille
- Front/side/curtain/driver's knee SRS airbags
- Alarm with keyless entry
- Air conditioning
- Electric windows and heated folding door mirrors
- Steering wheel tilt and reach adjustments
- Height-adjustable driver's seat
- Radio/CD/MP3 player with 4 speakers
- Bluetooth® hands-free telephone connection
- USB connection
- Leather steering wheel with remote audio control
- Leather gearshift knob
- Hi-contrast meter dials with colour LCD Multi-Information Display
- 'Shark fin' rear roof aerial



ASX 3

1.6 2WD MANUAL

1.6 DI-D 2WD MANUAL



KEY FEATURES

SPECIFICATION AS ASX 2 PLUS:

- 18" alloy wheels
- Wheelarch garnishes
- Bi-xenon headlamps with washers
- Door mirrors with side indicator lamps
- Keyless operation system with engine start/stop button
- Climate control air conditioning
- Cruise Control
- Heated front seats
- DAB radio/CD/MP3 player with 6" display and 6 speakers
- Bluetooth® music streaming
- Automatic lights on/off and wiper rain sensor
- Auto-dimming rear view mirror
- Reversing camera

OPTION AT ADDITIONAL COST:

Black leather seat trim



ASX 4

1.6 DI-D 4WD MANUAL
2.2 DI-D 4WD AUTOMATIC



KEY FEATURES

SPECIFICATION AS ASX 3 PLUS:

- On-demand 4WD with push-button drive mode selector
- Panoramic glass roof
- Black roof rails
- Leather seat trim
- Powered driver's seat
- SD card satellite navigation system with HD 7" touch-screen
- Aluminium sports pedals
- Steering column-mounted shift paddles (Automatic model)

ASX 5

1.6 DI-D 4WD MANUAL
2.2 DI-D 4WD AUTOMATIC



KEY FEATURES

SPECIFICATION AS ASX 4 PLUS:

- Premium Nappa leather seat trim (Claret Red, Porcelain Cream or Gunmetal Grey) including front/rear door and centre armrests
- Premium 5-piece floor mat set colour-coded to leather
- Heated rear seats
- Rear twin USB connections
- LED interior lighting upgrade
- Blue LED door courtesy lamps and front /rear footwell mood lighting
- Front door entry guards
- Black leather handbrake lever

COLOUR OPTIONS AND SEAT TRIMS



COOL SILVER (M)



GRANITE BROWN (M)



ORIENT RED (M)



ATLANTIC GREY (M)



WHITE PEARL (P)



FROST WHITE (S)

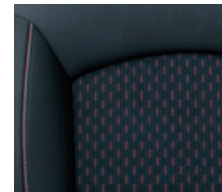


AMETHYST BLACK (P)



LIGHTNING BLUE (M)

EXTERIOR COLOUR	ASX 2	ASX 3	ASX 4	ASX 5
Cool Silver (M)	■	■	■	■
Granite Brown (M)	■	■	■	■
Lightning Blue (M)	■	■	■	■
Orient Red (M)	■	■	■	■
Atlantic Grey (M)	■	■	■	■
White Pearl (P)	■	■	■	■
Frost White (S)	■	■	■	■
Amethyst Black (P)	■	■	■	■
Seats	Fabric (Black with Red Fleck & Stitch)		Leather (Black)	Premium Nappa Leather (Red, Cream or Dark Grey)
Door Trim	Fabric Inserts (Black)		Leather-look Inserts (Black)	Front & Rear Inserts Nappa Leather (Red, Cream or Dark Grey)
Headlining	Non-woven Fabric (Grey)			
Floor Carpet	Needle Punch (Black)			

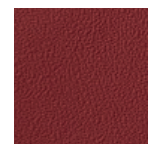


BLACK/RED HIGH-GRADE FABRIC (ASX 2 / ASX 3)

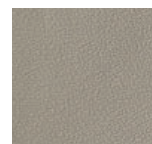


BLACK LEATHER (ASX 4 / OPTION ON ASX 3)

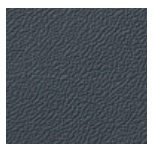
LEATHER COLOUR OPTIONS – ASX 5



CLARET RED



PORCELAIN CREAM



GUNMETAL GREY

■ : Available M: Metallic* P: Pearlescent* S: Solid *Metallic/pearlescent paint finish available at additional cost. Colours and trims reproduced on these pages may vary from the actual colours due to the limitations of the printing process used.

TECHNICAL SPECIFICATIONS

	ASX 2 1.6 2WD Manual	ASX 3 1.6 2WD Manual	ASX 3 1.6 DI-D 2WD Manual	ASX 4 / ASX 5 1.6 DI-D 4WD Manual	ASX 4 / ASX 5 2.2 DI-D 4WD Automatic
--	----------------------------	----------------------------	---------------------------------	---	--

ENGINE						
Engine type	In-line 4-cylinder 16-valve DOHC MIVEC petrol engine		In-line 4-cylinder 8-valve SOHC common-rail direct injection diesel engine, turbocharger/intercooler with Auto Stop & Go (AS&G)		In-line 4-cylinder 16-valve DOHC common-rail direct injection diesel engine, turbocharger/intercooler	
Displacement	cc	1590	1590	1560	1560	2268
Bore/stroke	mm	75.0 x 90.0	75.0 x 90.0	75.0 x 88.3	75.0 x 88.3	86.0 x 97.6
Max. output	kW (PS) at rpm	86 (117) / 6000	86 (117) / 6000	84 (114) / 3600	84 (114) / 3600	110 (150) / 3500
Max. torque	Nm (lb.ft) at rpm	154 (114) / 4000	154 (114) / 4000	270 (199) / 1750	270 (199) / 1750	360 (266) / 1500-2750

PERFORMANCE/FUEL CONSUMPTION/EMISSIONS						
Maximum speed	mph (kph)	114 (183)	114 (183)	113 (182)	111 (180)	118 (190)
Acceleration 0-62 mph	secs	11.5	11.5	11.2	11.5	10.8
Fuel type		Unleaded	Unleaded	Diesel	Diesel	Diesel
Fuel consumption ¹ lts/100km (mpg)	Urban mode Extra urban mode Combined mode	7.4 (38.2) 4.9 (57.6) 5.8 (48.7)	7.4 (38.2) 5.0 (56.5) 5.9 (47.9)	5.2 (54.3) 4.2 (67.3) 4.6 (61.4)	5.6 (50.4) 4.7 (60.1) 5.0 (56.5)	7.1 (39.8) 5.0 (56.5) 5.8 (48.7)
CO ₂ emissions	g/km	135	136	119	132	152
Emissions compliance		EU-6	EU-6	EU-6	EU-6	EU-6

SUSPENSION/STEERING						
Suspension	Front Rear	Multi link, coil springs with stabiliser bar Torsion beam with stabiliser bar		Multi link, coil springs with stabiliser bar Torsion beam with stabiliser bar		
Brakes	Front Rear	Anti-lock Braking System with Electronic Brakeforce Distribution (ABS + EBD), Brake Assist (BA), Hill Start Assist (HSA) and Emergency Stop signal System (ESS) 294mm (11.6") ventilated disc 302mm (11.9") solid disc		294mm (11.6") ventilated disc 302mm (11.9") solid disc		
Steering		Rack and pinion, electronic power-assisted		Rack and pinion, electronic power-assisted		
Min. turning circle	m (ft)	10.6 (34.8)	10.6 (34.8)	10.6 (34.8)	10.6 (34.8)	10.6 (34.8)
Tyres		215/70R16	225/55R18	225/55R18	225/55R18	225/55R18
Wheels		16" x 6.5J alloy	18" x 7.0J alloy	18" x 7.0J alloy	18" x 7.0J alloy	18" x 7.0J alloy

DRIVELINE/TRANSMISSION						
Type		Front transverse engine. Mitsubishi Active Stability and Traction Control (M-ASTC)				
Driveline		2WD (Front)	2WD (Front)	2WD (Front)	On-demand 4WD with Lock mode, mode selector and electronic control coupling	
Clutch		Hydraulic	Hydraulic	Hydraulic	Hydraulic	Torque Converter
Transmission	Manual	Manual - 5 speed	Manual - 5 speed	Manual - 6 speed	Manual - 6 speed	INVECS-II Automatic - 6 speed

DIMENSIONS						
Exterior l x w x h	mm	4355 x 1770 x 1640	4355 x 1810 x 1640	4355 x 1810 x 1640	4355 x 1810 x 1640	4355 x 1810 x 1640
Exterior width over extended door mirrors	mm	2080	2133	2133	2133	2133
Ground clearance (unladen)	mm	190	190	180	180	180
Track Front/Rear	mm	1525 / 1530	1545 / 1545	1545 / 1545	1545 / 1545	1545 / 1545
Wheelbase	mm	2670	2670	2670	2670	2670

WEIGHTS/VOLUMES						
Seating capacity		5	5	5	5	5
Cargo capacity ² min. max.	lts VDA (cu.ft.) lts VDA (cu.ft.)	419 (14.8) 1219 (43.0)	419 (14.8) 1219 (43.0)	419 (14.8) 1219 (43.0)	419 (14.8) 1169 (41.2)	419 (14.8) 1169 (41.2)
Fuel tank capacity	lts (imp.galls)	63 (13.8)	63 (13.8)	60 (13.2)	60 (13.2)	60 (13.2)
Gross vehicle weight	kg (lbs)	1870 (4123)	1870 (4123)	1980 (4365)	1980 (4365)	2060 (4542)
Kerb weight	kg (lbs)	1260 (2778)	1285 (2832)	1380 (3042)	1445 (3185)	1540 (3395)
Towing capacity Braked Unbraked	kg (lbs) kg (lbs)	1200 (2646) 665 (1466)	1200 (2646) 665 (1466)	1400 (3086) 695 (1532)	1400 (3086) 745 (1642)	1400 (3086) 750 (1653)
Trailer nose weight	kg (lbs)	60 (132)	60 (132)	70 (154)	70 (154)	70 (154)
Roof loading capacity	kg (lbs)	80 (176)	80 (176)	80 (176)	80 (176)	80 (176)

SERVICING/INSURANCE/WARRANTY						
Service intervals		Every 12,500 miles or 12 months, whichever occurs first		Every 12,500 miles or 12 months, whichever occurs first		
Insurance group		17	18	20	ASX 4: 20 / ASX 5: TBC	ASX 4: 25 / ASX 5: TBC
Warranty		5 year/62,500 mile warranty (first 24 months unlimited mileage, thereafter 36 months or 62,500 miles from date of registration, whichever occurs first), 12 year anti-corrosion perforation warranty, 3 year pan-European roadside, home and accident assistance				

For full technical specification details please visit www.mitsubishi-cars.co.uk. ¹The fuel consumption figures quoted are those produced under EU regulations for the purpose of comparing new cars. They should not be regarded as a representation of achievable fuel consumption, which in practice will vary with load, road conditions, driving style and other factors. ²Cargo capacities include 26-litre under-floor storage compartment.

STANDARD AND OPTIONAL EQUIPMENT

	ASX 2 1.6 2WD Manual	ASX 3 1.6 2WD Manual 1.6 DI-D 2WD Manual	ASX 4 1.6 DI-D 4WD Manual 2.2 DI-D 4WD Automatic	ASX 5 1.6 DI-D 4WD Manual 2.2 DI-D 4WD Automatic
SECURITY AND SAFETY FEATURES				
SECURITY				
Alarm/keyless entry	■	■	■	■
Deadlocks	■	■	■	■
Immobiliser, engine	■	■	■	■
Locking wheel nuts	■	■	■	■
Luggage cover, rear	■	■	■	■
Visible VIN	■	■	■	■

SAFETY				
ABS with EBD	■	■	■	■
Airbag SRS, driver's and front passenger's	■	■	■	■
Airbag SRS, driver's knee protection	■	■	■	■
Airbag SRS, front seat sides x 2	■	■	■	■
Airbag SRS, curtain type, 1st and 2nd row	■	■	■	■
Airbag, front passenger deactivation switch	■	■	■	■
Brake Assist (BA)	■	■	■	■
Brake over-ride system	■	■	■	■
Child-proof rear door locks	■	■	■	■
Daytime running lights, bulb type	■	■	■	■
Daytime running lights, LED type	-	-	-	■
Emergency Stop signal System (ESS)	■	■	■	■
Fog lamp, rear	■	■	■	■
High-mount stop lamp, rear	■	■	■	■
Hill Start Assist (HSA)	■	■	■	■
ISO-Fix child seat mountings	■	■	■	■
Mitsubishi Active Stability and Traction Control (M-ASTC)	■	■	■	■
Reversing camera	-	■	■	■
Rear view mirror, auto-dimming	-	■	■	■
RISE (Reinforced Impact Safety Evolution) body safety system	■	■	■	■
Seatbelts, 3-point ELR x 2 with force limiters and pretensioners, height adjustable, front	■	■	■	■
Seatbelts, 3-point ELR x 3, rear	■	■	■	■
Seatbelt fastening warning lamp	■	■	■	■
Tether anchor x 2	■	■	■	■
Tyre pressure monitoring system	■	■	■	■

EXTERIOR FEATURES

STYLING				
16" alloy wheels	■	-	-	-
18" alloy wheels	-	■	■	■
Belt line moulding, chrome	■	■	■	■
Door handles, colour-keyed	■	■	■	■
Door mirrors, colour-keyed	■	■	■	■
Door mirrors with side indicator lamps	-	■	■	■
Exhaust finisher, chrome	■	■	■	■
Front grille, gloss black with chrome trim	■	■	■	■
Front skid plate, black	■	-	-	-
Front skid plate, silver	-	■	■	■
Lower front and rear bumpers and side sills, black	■	■	■	■
Metallic or pearlescent paint finish	□	□	□	□
Privacy glass, rear side windows and tailgate window	■	■	■	■
Roof rails, black	-	-	■	■
Roof spoiler, colour-keyed	■	■	■	■
Wheelarch garnishes, black	-	■	■	■

■ : Standard □ : Option at additional cost - : Not available

STANDARD AND OPTIONAL EQUIPMENT

	ASX 2 1.6 2WD Manual	ASX 3 1.6 2WD Manual 1.6 DI-D 2WD Manual	ASX 4 1.6 DI-D 4WD Manual 2.2 DI-D 4WD Automatic	ASX 5 1.6 DI-D 4WD Manual 2.2 DI-D 4WD Automatic
EXTERIOR FEATURES				
FUNCTIONAL				
Central door locking	■	■	■	■
Door mirrors, electric heated with folding function	■	■	■	■
Fog lamps, front	■	■	■	■
Follow-me-home headlamp function	■	■	■	■
Headlamps, automatic light sensor	-	■	■	■
Halogen headlamps with levelling adjustment	■	-	-	-
HID bi-xenon headlamps, wide beam with washers and auto-levelling	-	■	■	■
Tyre inflation kit	■	■	■	■
Wipers, automatic rain sensor	-	■	■	■
Wipers, variable intermittent with washer, front	■	■	■	■
Wiper, intermittent with washer, rear	■	■	■	■
Window demister with timer, rear	■	■	■	■

INTERIOR FEATURES

AUDIO/NAVIGATION/COMMUNICATIONS				
Aerial, rear roof, 'shark fin' type	■	■	■	■
Bluetooth® hands-free telephone connection	■	■	■	■
Bluetooth® music streaming	-	■	■	■
DAB radio	-	■	■	■
SD card navigation system with HD 7" touch-screen display	-	-	■	■
Stereo radio/CD with MP3 compatibility and 4 speakers	■	-	-	-
Stereo radio/CD with MP3 compatibility, 6" display and 6 speakers	-	■	-	-
Stereo radio/CD with MP3 compatibility and 6 speakers	-	-	■	■
USB connection, front (inside floor console box)	■	■	■	■
USB connection, rear, twin	-	-	-	■

STYLING

Aluminium sports pedals	-	-	■	■
Dashboard centre panel, carbon texture finish, black	■	-	-	-
Dashboard centre panel, gloss black finish with silver accents	-	■	■	■
Door entry guards, front	-	-	-	■
Door trim inserts, front and rear, fabric	■	■	-	-
Door trim inserts, front and rear, leather-look	-	□	■	-
Door trim inserts, Nappa leather - Claret Red, Porcelain Cream or Gunmetal Grey	-	-	-	■
Gear knob, leather-wrapped, black	■	■	■	■
Instrument meter trim, chrome	■	■	■	■
Interior door handles, chrome	-	■	■	■
Premium floor mat set, colour-coded to leather (front/rear/cargo area)	-	-	-	■
Seat trim, high grade fabric, black with red fleck and stitch	■	■	-	-
Seat trim and front centre armrest, leather, black	-	□	■	-
Seat trim and front centre armrest, premium Nappa leather - Claret Red, Porcelain Cream or Gunmetal Grey	-	-	-	■
Steering wheel, leather-wrapped, black with gloss black lower garnish	■	■	■	■

CONVENIENCE

Air conditioning, manual with air filter	■	-	-	-
Air conditioning, climate control with chrome dial rings and air filter	-	■	■	■
Backrest pocket, front passenger's seat	■	■	■	■
Bottle holder, front doors	■	■	■	■
Cargo tie-down hooks	■	■	■	■
Coat hanger	■	■	■	■
Console box with armrest lid and inner tray	■	■	■	■
Cruise control	-	■	■	■

■ : Standard □ : Option at additional cost - : Not available

STANDARD AND OPTIONAL EQUIPMENT

	ASX 2 1.6 2WD Manual	ASX 3 1.6 2WD Manual 1.6 DI-D 2WD Manual	ASX 4 1.6 DI-D 4WD Manual 2.2 DI-D 4WD Automatic	ASX 5 1.6 DI-D 4WD Manual 2.2 DI-D 4WD Automatic
INTERIOR FEATURES				
CONVENIENCE CONTINUED				
Cup holders, front, in floor console	■	■	■	■
Cup holders, rear, in centre armrest	■	■	■	■
Door pockets, front	■	■	■	■
Footrest, driver's	■	■	■	■
Glove box, illuminated	■	■	■	■
Ignition keyhole, illuminated	■	-	-	-
Lights-on warning buzzer	■	■	■	■
Luggage area underfloor compartment	■	■	■	■
Retractable assist grips, x 4	■	■	■	■
Rear seat heater ducts	■	■	■	■
Steering column tilt & telescopic adjustment	■	■	■	■
Steering wheel audio controls	■	■	■	■
Sunvisors, driver's and passenger's with vanity mirrors and ticket holders	■	■	■	■

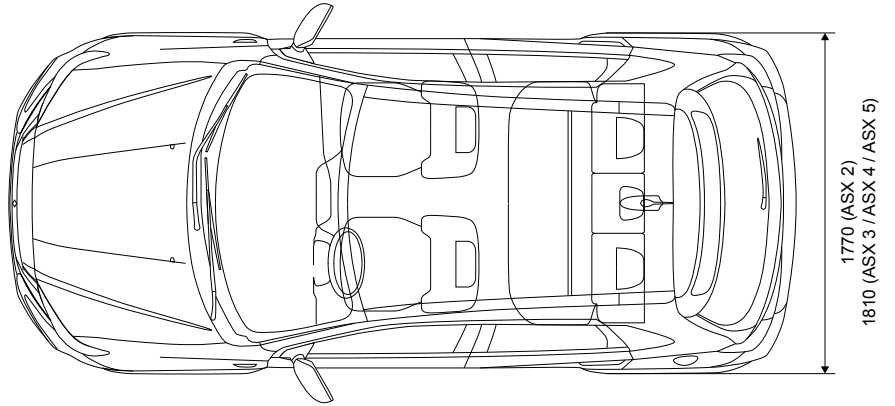
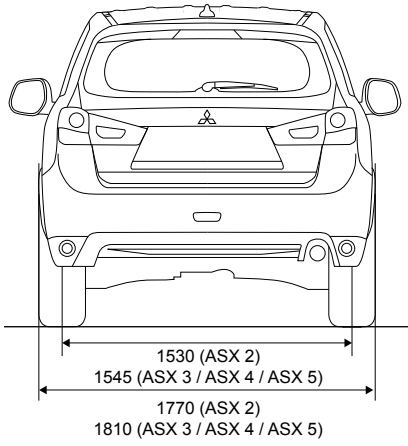
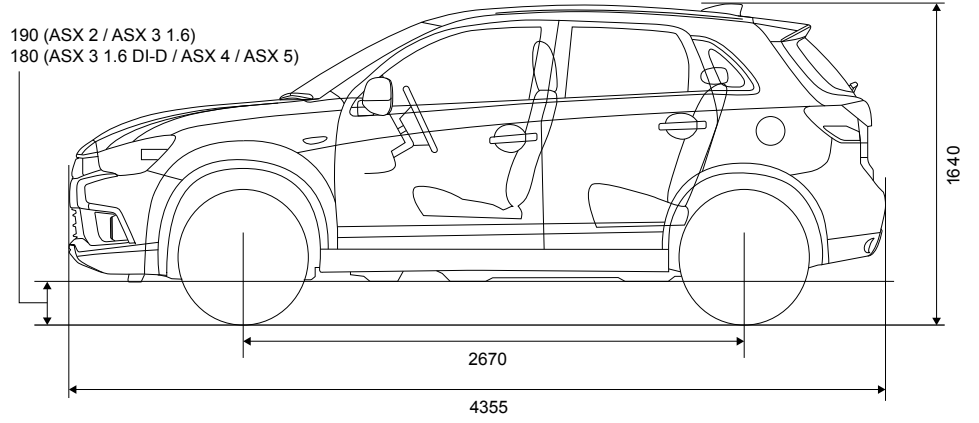
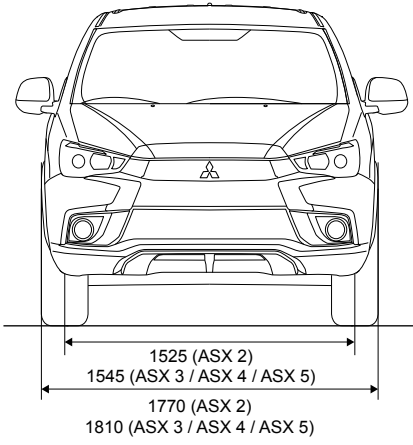
FUNCTIONAL				
4WD mode selector, push-button type, floor console	-	-	■	■
Accessory socket, front	■	■	■	■
Accessory socket, inside floor console box	■	■	■	■
Electric windows, front and rear, with driver's window one-touch open/close and anti-trapping mechanism	■	■	■	■
Engine start/stop button	-	■	■	■
Gearshift timing indicator	■	■	■	■
Instrument panel light dimmer	■	■	■	■
Keyless operation system	-	■	■	■
Multi information colour LCD display with high-contrast meters	■	■	■	■
Panoramic glass roof	-	-	■	■
Shift paddles on steering column	-	-	Automatic model	Automatic model

LIGHTING				
Interior lamp, front	■	■	■	■
Interior lamp, rear	-	■	-	-
LED interior lighting upgrade (including blue door courtesy lamps and front/rear footwell mood lighting)	-	-	-	■
Luggage area lamp	■	■	■	■
Map reading lamps, front	■	■	■	■

SEATS				
Armrest, front - centre with sliding adjustment	■	■	■	■
Armrest, rear - centre with built-in cup holders	■	■	■	■
Driver's seat 4-way powered adjustment	-	-	■	■
Driver's seat height adjustment	■	■	■	■
Front seats, slide and recline adjustment	■	■	■	■
Head restraints, height adjustable, front x 2	■	■	■	■
Head restraints, height adjustable, rear x 3	■	■	■	■
Heated seats, front	-	■	■	■
Heated seats, rear	-	-	-	■
Rear seats with 60/40 split-folding backrests	■	■	■	■

■ : Standard □ : Option at additional cost - : Not available

DIMENSIONAL VIEWS



MITSUBISHI MOTORS RECYCLING

We all have a duty to protect the environment. After a long working life we will take back any Mitsubishi Motors vehicle originally sold by The Colt Car Company Ltd. and recycle it in an environmentally friendly manner in accordance with the EU Directive on End-of-Life Vehicles and any applicable national statutory provisions.

All Mitsubishi Motors vehicles sold by The Colt Car Company Ltd., irrespective of date of sale, will be taken back free of charge from the last owner, at one of the designated take-back points, provided the vehicle contains all major components and is free of waste.

For further information please visit www.cartakeback.com, email info@cartakeback.com or call the Cartakeback info-line on 0845 257 32 33.

The specification of the vehicles illustrated in this publication may not be applicable to the UK market, furthermore some vehicle illustrations may include accessory items which are not part of UK standard specification. However, every effort has been made to ensure that the written information was accurate, up-to-date and consistent with UK specification at the time of going to press. The right is reserved to change specification, features and prices without prior notice. To avoid any misunderstandings, your Mitsubishi Motors dealer will advise of any alterations made since the date of issue of this brochure. No part of this publication may be reproduced in any form or by any means, without the prior written permission of The Colt Car Company Limited.

Head Office: The Colt Car Company Ltd., Watermoor, Cirencester, Glos. GL7 1LF
Website: www.mitsubishi-cars.co.uk



MitsubishiUK



MitsubishiUK



MitsubishiTV

This brochure has been produced by an ISO14001 environmentally accredited printer where all processes are managed and materials recycled. The paper used to produce this brochure is from sustainable forests, chlorine free and from an ISO14001 accredited mill. This brochure is fully recyclable.