

ECLIPSE CROSS


MITSUBISHI
MOTORS
Drive your Ambition



CROSS OVER TO EXTRAORDINARY

The Mitsubishi Eclipse Crossover defies ordinary. In fact, this is a mid-sized SUV that will stand out from any crowd.

For starters it is superbly equipped, spacious and very stylish. Robust below the waistline reflecting its 4x4 heritage, it is fierce from the front, flowing from the side with heavily flared front and rear arches and coupe-style roof line, and features a truly distinctive rear. This is the new face of Mitsubishi, and it's all good.

But the Mitsubishi Eclipse Cross is more than a practical vehicle with a commanding presence and even more commanding view of the road. It is a petrol powered SUV with real teeth; it comes with real four-wheel drive. Which actually makes it a pretty rare breed.



"looks distinctive enough to be recognisable in this crazy crowded market" Top Gear

"handsome and distinctive, sporty and exciting looking... It certainly doesn't resemble any other SUV on sale." The Express





THE 4x4 CROSSOVER FROM 4x4 EXPERTS

With five World Rally Championship titles and more Dakar Rally wins than anyone else, Mitsubishi is the true master of all-wheel-drive. And, although much simpler than the 4x4 system used on the rallying Lancers, the Eclipse Cross uses a similar control system.

S-AWC gathers information on steering, brakes, driveline and yaw, and then controls the 4x4 system and the brakes across the axles to direct torque to the wheel with most grip. It also gives limited torque vectoring to stabilise and enhance the dynamics. So on the Eclipse Cross standard mode (Auto on the dial) torque is split 80:20 with more sent backwards when it's needed, whilst Snow receives a greater rear-wheel-bias and it culminates in a 40:60 front:rear split for Gravel.

The result is a vehicle which doesn't just look the part. It is a vehicle which really does offer increased straight line stability, enhanced cornering and increased traction and control, even when the going gets a little tough.

Even two-wheel-drive Eclipse Cross models achieve enhanced levels of stability and cornering performance courtesy of Active Yaw Control. AYC controls front braking forces to help the driver maintain the intended driving line through corners.



"before properly putting the Eclipse Cross to the test, it already has an advantage over all that other bland stuff in this sector, and that's authenticity. Mitsubishi makes four-wheel drives that are tough and designed to do the job..." Car magazine

TAMING THE TARMAC EVERY DAY

Of course most of the time most of your driving will take place on smooth tarmac and under clear skies. So the Mitsubishi Eclipse Cross is set up for maximum comfort and minimal stress.

Driven by a 1.5 turbo direct injection petrol engine with Auto Stop & Go, it provides truly impressive power and performance for its size. It also ensures a spread of torque more usually associated with a diesel, which means that it responds willingly from really low revs yet still reacts promptly at the top end. And it's quite amazingly quiet too.

Mated to this engine is a choice of a sporty, short-throw 6-speed manual transmission or a CVT auto with 8-speed sport mode and manual override. This new generation Continuously Variable automatic Transmission provides power seamlessly for a smoother ride and reduced power loss. And it's truly efficient, ensuring fuel consumption returns similar to those of the manual.

Waft around town or cruise the highways and you'll find that the ride is pliant, the steering well weighted and the acceleration smooth. In an increasingly stressful world, inside the Mitsubishi Eclipse Cross all is sane, all is calm.





INVECS-III CVT AND 6 MT

The advanced CVT supports smooth, powerful acceleration and outstanding fuel efficiency with new step shift control that creates the satisfying sensation of shifting gears. A new lightweight 6-speed manual transmission is also available.



"the Eclipse Cross is a solid all-rounder, one that feels impressively well screwed together." Autocar



ACING FIVE STARS FOR SAFETY

The Eclipse Cross secured maximum points in many of the Euro NCAP vehicle safety tests, and shone particularly brightly in those for both Adult Protection and Pedestrian Protection – the latter often an element of concern for SUVs.



Of course, you'd expect nothing less from a company with Mitsubishi's pedigree. As with all Mitsubishi vehicles the proprietary RISE (Reinforced Impact Safety Evolution) system integrates and interconnects the structural elements, providing a dramatic advance in multidirectional impact safety performance, dispersing energy loads during front, side and rear crashes and controlling distortion.

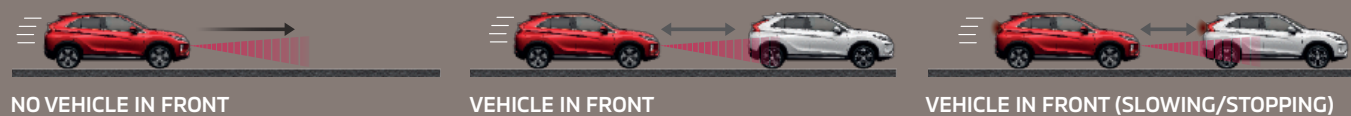
But it is the raft of active safety features which really sets this SUV apart. Stability and traction control systems, Forward Collision Mitigation and Lane Departure Warning, cruise control, a reversing camera, really clever brakes, daytime running lights and seven airbags are standard on the entire range. Eclipse Cross 3 adds front and rear parking sensors and Eclipse Cross 4 also features a 360° camera with Blind Spot Warning and Rear Cross Traffic Alert, Lane Change Assist and Adaptive Cruise Control.



All Eclipse Cross vehicles feature a Forward Collision Mitigation system which provides an audible warning and braking assistance at speeds of up to 50mph, and in NCAP tests it avoided or mitigated collisions every

single time. But on Eclipse Cross 4 models this is enhanced and works in conjunction with the Adaptive Cruise Control to provide braking assistance at speeds of up to 110mph. It will even apply the parking brake.

ADAPTIVE CRUISE CONTROL (ACC)



FORWARD COLLISION MITIGATION (FCM)





SMARTER IN EVERY WAY IMAGINABLE

Strong, three-dimensional lines, silver accents and real physical controls make this a true driver's cockpit, and a particularly attractive one at that. And the quality, soft-touch fabrics are matched by an equally sophisticated specification. Automatic air conditioning, electric windows and door mirrors, even heated seats you might expect, but all Eclipse Cross models are also fitted with Smartphone Link Display Audio which is housed in a neat screen on top of the dash. So now you can maximise on all the features of your Smartphone – it means that mapping is current and traffic updates live. You can even talk to your car using your phone's voice control system or, if you prefer, operate it with the touch pad controller.





" For Apple iOS we used the CarPlay system which mirrors the iPhone it's connected to. We found the system to be excellent."

The Express

YOUR VERY OWN THRONE ROOM

One of the everlasting joys of driving an SUV is its lofty attitude and, much as you'd expect from the 4x4 experts, the Eclipse Cross' position is even more advantageous than most. Yet access is easy thanks to unusually narrow side sills.

Interior space is generous, with ample legroom even for those of six foot plus thanks to the vehicle's long wheelbase. The driver's seat is height adjustable which, combined with the tilt and reach adjustable steering wheel, ensures a perfect driving position whatever your shape. And, as well as offering a 60:40 split-fold, both sections of the rear seat can independently slide back and forth by up to 20cm, which enables you to favour people or parcels at will; its back also reclines, with multiple settings for maximum comfort.

But, as always with Mitsubishi, the difference is in the detail. The seats are wide and enveloping, LED console lighting and privacy glass are standard even on the base model, and an amazing panoramic glass sunroof on Eclipse Cross 4 enables you to let the outside in, whatever the weather.





POWER PANORAMIC SUNROOF

The stylish twin sunroofs with outer sliding glass open up the atmosphere for the driver and all passengers. Each shade can be separately operated to let in refreshing sunlight.



"The Eclipse Cross carves a lot of people space from its compact footprint." Top Gear

mitsubishi aftersales care

With a new Mitsubishi, you not only get a safe and reliable vehicle that is a real pleasure to drive, you also become part of the Mitsubishi family. And as our nearest and dearest, we want you to feel protected should you ever encounter a problem – that's why we have me&my, which encompasses a wide range of benefits:

- A comprehensive **five-year, 62,500-mile warranty** (please ask your Authorised Mitsubishi Dealer for full details)
- The **Mitsubishi Assistance Package (MAP)**, which provides the reassurance of roadside or home breakdown assistance for the first three years following registration. It includes vehicle recovery following a breakdown or accident, help if your vehicle is stolen or vandalised, and even if you should accidentally fill up with the wrong fuel. 24/7 cover extends to over 30 countries throughout Europe. So wherever you are and whatever you're doing, if the unexpected does happen help is always at hand
- In the unfortunate event of an accident we have **Mitsubishi First** – our customer support service for all Mitsubishi drivers. No matter which insurer you use, Mitsubishi First smooths your progress through an insurance claim, handling everything on your behalf – and all at absolutely no cost to you

And once you're part of the family... it's service with a smile.

A **Mitsubishi Service Plan**, purchased at the same time as your vehicle, covers the first three scheduled services for a modest sum. It can be included in your vehicle's finance and transferred to a new owner if you sell.

Mitsubishi Motors also offer superior insurance cover at a competitive price which is specifically designed for Mitsubishi vehicles and uses only genuine parts and approved repair centres.



BUY YOUR NEW MITSUBISHI ONLINE



FIND YOUR PERFECT NEW MITSUBISHI FROM THE COMFORT OF YOUR OWN HOME

We've taken the inconvenience out of buying a new car. Our new online system will help you find your perfect Mitsubishi. No haggling. No surprises. You don't even need to leave the house.

HOW BUYING ONLINE WORKS

1. SET YOUR BUDGET

Decide how much you want to pay and choose finance to suit you

2. PART EXCHANGE

Get a valuation for your existing car

3. SELECT YOUR MODEL

Choose from a range of Mitsubishi models

4. ADD OPTIONS AND EXTRAS

Choose colours, interior, accessories and extras

5. CHECKOUT

Complete your purchase online

6. COLLECTION / DELIVERY

Collect your new car or have it delivered to your home or workplace

WITH MITSUBISHI BUY ONLINE, YOU'RE IN COMPLETE CONTROL



BOOK A TEST DRIVE TO SUIT YOU

It's up to you if and when you take a test drive. Mitsubishi Buy Online lets you book a test drive at any step along the way. Pick a time to suit you at any of our dealerships across the country.



COMPLETE FLEXIBILITY

You can save your chosen model, part exchange valuation and finance preferences at any point along your Buy Online journey. Your Mitsubishi will be saved in your customer account, ready to pick up where you left off.



COMPARE AND CONTRAST DEALS AND MODELS

You can adjust your finance preferences, compare deals and find out more about your chosen options.

For full details visit buy.mitsubishi-cars.co.uk. Terms and conditions apply



VEHICLE FINANCE

A QUICK GUIDE TO MITSUBISHI FINANCE

Drive away in your new or used vehicle with a finance arrangement that is right for you. You might not even need an upfront payment, and payments are fixed for the duration of the agreement so you can budget more easily. Our range of finance choices means you can find the right one to suit you.

Please note that some of the finance options shown below may not be available for Mitsubishi Buy Online.

HIRE PURCHASE



- Flexible deposit options – 0% deposit may be available subject to status
- Balance (plus fixed interest) pay over the chosen period 1-5 years in equal monthly payments
- After all the payments have been made, you own the vehicle

PERSONAL CONTRACT PURCHASE (PCP)



- Flexible deposit options – 0% deposit may be available subject to status
- Balance (plus fixed interest) pay over the chosen period 2-3.5 years in equal monthly payments. A significant proportion of the total amount payable has been deferred into the optional final lump sum payment
- At the end of your chosen period you have 3 options:
 - 1 Renew – part exchange it for a new model*
 - 2 Retain – pay the final lump sum to own the vehicle
 - 3 Return – return the vehicle to Shogun Financial Services (under the goods return option)**

LEASE PURCHASE



- Flexible deposit options – 0% deposit may be available subject to status
- Balance (plus fixed interest) pay over the chosen period 2-4 years in equal monthly payments
- At the end of your chosen period you have 2 options:
 - 1 Part exchange for a newer model*
 - 2 Own the vehicle by paying the final lump sum payment*

CONTRACT HIRE FOR BUSINESS CUSTOMERS



- Flexible advanced rental
- Fixed regular rentals over 2-5 years
- At the end of the contract return the vehicle***

PERSONAL CONTRACT HIRE



- Flexible advanced rental
- Fixed regular rentals over 2-5 years
- At the end of the contract return the vehicle***

* Subject to settlement of your existing finance agreement, new finance agreements are subject to status.

** If the vehicle is in good condition and has not exceeded the agreed maximum mileage, you will have nothing further to pay. If the vehicle has exceeded the agreed maximum mileage, a charge for excess mileage will apply. Further information on what is considered good condition can be found at www.mitsubishi-cars.co.uk/goodconditionguide

*** No ownership option. The vehicle must be returned to us in a condition that meets the BVRLA Fair wear and tear* guidelines, otherwise charges may be incurred. Fair wear and tear guidelines can be found on the BVRLA website at www.bvrla.co.uk. Excess mileage charges will apply if you exceed the agreed contract mileage.

For full details visit www.mitsubishi-cars.co.uk/finance. Terms and conditions apply

Finance is subject to status and is only available to UK residents aged 18 and over. Credit products are provided by Shogun Finance Limited, trading as Shogun Financial Services, 116 Cockfosters Rd, Barnet, EN4 0DY. Contract Hire is provided by Shogun Vehicle Leasing (a trading style of Lex Autolease Ltd, SK3 0RB).

ACCESSORISE YOUR ECLIPSE CROSS

The Mitsubishi Eclipse Cross is the brand new face of Mitsubishi, and it's a very handsome face too. Keep it in showroom-perfect condition with the special Protection Pack shown here, comprising of a front mat set, mud guards, boot tray and protection plates for those areas which suffer the most. Opposite and overleaf you will find further approved accessories to make the Eclipse Cross an even more perfect fit for your lifestyle, all of which benefit from a three-year 62,500-mile warranty if fitted at the time of purchase. So before you place your order, consider carefully: talk to your dealer or visit the Eclipse Cross accessories website at www.mitsubishi-cars.co.uk/accessories and make sure you make the most of your choice.



1. Front mud guards
2. Rear mud guards
3. Door entry guards (set of 4)
4. Boot tray
5. Textile mat set, Classic*
6. Rear bumper top protector

The above items form the Eclipse Cross Protection Pack, available at a special price. All items are also available separately.

*Door entry guard set shown is not part of the Protection Pack, but is available separately.



- 7. Side extension set
- 8. Front corner extension set
- 9. Rear corner extension set
- 10. Front styling element
- 11. Tailgate garnish
- 12. Rear styling element



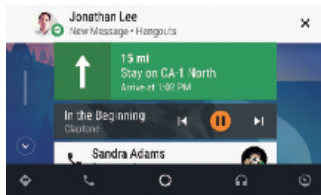


- 13. Roof bars (various attachments available)
- 14. Rear dog guard
- 15. Child seat BABY-SAFE Plus (0-13kg/0-12/15 months)
- 16. Child seat G0/1S (0-18kg/0-48 months)
- 17. Child seat DUO Plus (9-18kg/9-48 months)
- 18. Tow bar, detachable (design may differ from that shown - fixed type also available)
- 19. Cargo floor net



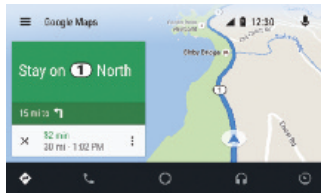
SMARTPHONE LINK DISPLAY AUDIO

androidauto



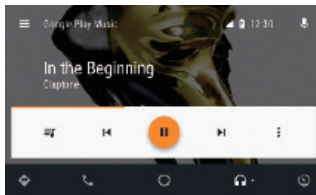
HOME SCREEN

Android Auto automatically brings you useful information, and organises it into simple cards that appear when they're needed.



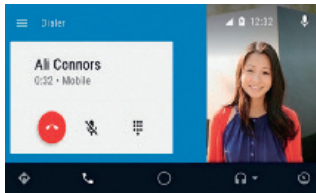
MAPS

Let Google Maps™ guide you to your destination with live traffic data. If you can't get online, you can save an area from Google Maps to your phone in advance and use it when you're offline.



MUSIC

With on-demand access to 35 million songs, Google Play™ Music allows you to stream endless music on the road.



PHONE/MESSAGES

With Android Auto, you can make calls, check your voicemails and send/receive text messages using voice control.



To talk to Google, hold the voice recognition button on the steering wheel.

You can say:

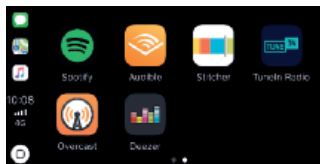
- Navigate to Heathrow Airport.
- US dollar rate.
- Play my "Driving at night" playlist.
- and more.

For more information:
www.android.com/auto/



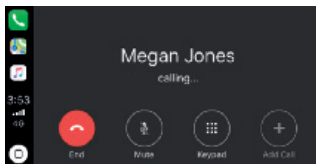
APPS

Android Auto makes it easy to access your favourite apps and content in your car. Check out more Apps for Android Auto at <https://g.co/androidauto>



HOME SCREEN

CarPlay features Siri voice control to operate the navigation/maps, hands-free phone, and SMS while driving on or off-road.



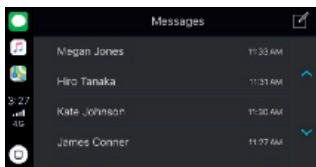
PHONE

Siri will guide you if you want to make calls, return missed calls, and listen to voicemail while driving to your destination safely.



MAPS

Apple Maps gives you turn-by-turn directions and traffic conditions. Maps can also use the addresses from your email, text messages, contacts, and calendar events to help you get to where you are going next.



MESSAGES

No more texting or reading while driving because Siri can send, read, and reply to your text messages for you. Simply tell Siri what to do.

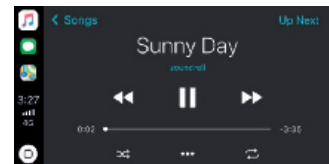


You can ask Siri by holding the voice recognition button on the steering wheel.

You can say:

- Play "Sunny Day".
- How's the weather tomorrow?
- Where's a good restaurant?
- and more.

For more information:
www.apple.com/ios/carplay



MUSIC

Play your favourite artists, songs or playlists from your iPhone by using Siri. You can also enjoy hit tunes from Apps like Apple Music and Spotify.



NOTES

- Android, Android Auto, Google Play and other marks are trademarks of Google Inc.
- iPhone, iPod, Siri and Apple CarPlay are trademarks of Apple Inc., registered in the U.S. and other countries.
- In order to activate Android Auto or CarPlay, the smartphone's operating system (OS) must be Android 5.0 (Lollipop) or higher / iOS 8 or higher.

- Android Auto and CarPlay may not work as expected if the mobile signal/data reception is poor or unavailable.
- Not all smartphone Apps are compatible with Android Auto or CarPlay.
- Some features or apps may not be available for all countries or all areas.

ECLIPSE CROSS 2 1.5 PETROL MANUAL



KEY FEATURES

- 16" alloy wheels
- Anti-lock Braking System with Electronic Brakeforce Distribution
- Active Stability and Traction Control
- Forward Collision Mitigation
- Lane Departure Warning
- Hill Start Assist & Brake Assist
- Tyre Pressure Monitoring System
- Halogen headlamps, projector type
- Front fog lamps
- LED daytime running lights
- Black front bumper centre and silver upper grille
- Front and rear skid plates, silver
- Wheelarch mouldings, black
- Roof rails, black
- Front/side/curtain/driver's knee SRS airbags
- Alarm with keyless entry
- Automatic air conditioning
- Electric windows, front and rear
- Electric heated door mirrors with side indicators
- Privacy glass
- Steering wheel tilt and reach adjustments
- Height-adjustable driver's seat
- Smartphone Link Display Audio with 6 speakers
- Touch pad controller
- DAB radio
- Bluetooth® hands-free and voice control telephone connection
- USB connection x 2
- Leather steering wheel and gearshift knob
- Remote audio control
- Cruise control with speed limiter
- Reversing camera
- Automatic lights on/off and wiper rain sensor
- Headlamp automatic high beam
- Sliding rear seats (200mm) with 8-step recline

FEATURE HIGHLIGHTS

CRUISE CONTROL

Vehicle speed is automatically maintained without keeping your foot on the accelerator pedal, allowing more relaxed driving on extended journeys. Pressing the brake pedal disengages the system.



TYRE PRESSURE MONITORING SYSTEM (TPMS)

TPMS employs sensor-transmitters in the wheels to monitor tyre pressure and illuminates a warning lamp on the combination meter cluster if one or more tyres becomes significantly underinflated.



SPEED LIMITER

The speed limiter prevents the vehicle from exceeding the speed you select in most situations. You may need to apply the brakes to prevent the speed from being exceeded when driving downhill. A warning displays and an alarm sounds to alert you if the set speed is exceeded.



RAIN SENSOR

The rain sensor activates the windshield wipers automatically when moisture is detected on the windshield.



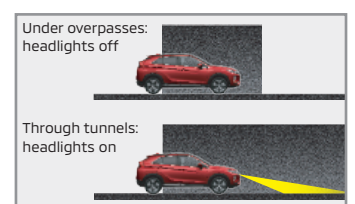
KEYLESS OPERATION SYSTEM (ECLIPSE CROSS 3/4)

When carrying the key, you can press a button on the outside of the front doors or tailgate to lock or unlock all the doors and tailgate, and press the engine switch in the cockpit to start or stop the engine.



AUTO HEADLIGHTS

When your surroundings become dark, such as at night or when passing through a tunnel, the headlights automatically activate for your safety and convenience.



ECLIPSE CROSS 3

1.5 PETROL MANUAL
1.5 PETROL CVT
1.5 PETROL CVT 4WD



KEY FEATURES

SPECIFICATION AS ECLIPSE CROSS 2 PLUS:

- 18" alloy wheels
- Gloss black front bumper centre and silver/chrome upper grille
- Sound-reducing windscreen
- Electric folding heated door mirrors with side indicators
- Front and rear parking sensors
- Silver lower door garnish
- Head-up display
- Auto-dimming rear view mirror
- Keyless operation system with engine start/stop button
- Dual zone climate control
- High-grade fabric seat trim
- Heated front seats
- Electronic parking brake and brake auto hold (CVT models)
- Steering column-mounted shift paddles (CVT models)
- On-demand 4WD with push-button mode selector (CVT 4WD model)



ECLIPSE CROSS 4

1.5 PETROL MANUAL
1.5 PETROL CVT 4WD



KEY FEATURES

SPECIFICATION AS ECLIPSE CROSS 3 PLUS:

- Rockford Fosgate® premium 9-speaker system
- Power panoramic glass roof
- LED headlamps with washers
- 360-degree camera
- Blind Spot Warning & Rear Cross Traffic Alert
- Lane Change Assist
- Leather seat trim with powered driver's seat
- Adaptive Cruise Control (CVT 4WD model)



COLOUR OPTIONS AND SEAT TRIMS



STERLING SILVER (M)



BRONZE (M)



LIGHTNING BLUE (P)



RED DIAMOND (PM)



WHITE PEARL (P)



FROST WHITE (S)



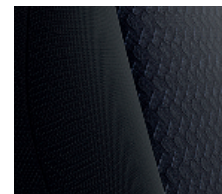
AMETHYST BLACK (P)



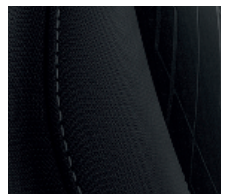
ATLANTIC GREY (M)

| EXTERIOR COLOUR | | Eclipse Cross 2 | Eclipse Cross 3 | Eclipse Cross 4 |
|---------------------|-----|------------------------|---------------------------------|----------------------------------|
| Sterling Silver (M) | U25 | ■ | ■ | ■ |
| Bronze (M) | C21 | ■ | ■ | ■ |
| Lightning Blue (P) | D06 | ■ | ■ | ■ |
| Red Diamond (PM) | P62 | ■ | ■ | ■ |
| White Pearl (P) | W13 | ■ | ■ | ■ |
| Frost White (S) | W37 | ■ | ■ | ■ |
| Amethyst Black (P) | X42 | ■ | ■ | ■ |
| Atlantic Grey (M) | U17 | ■ | ■ | ■ |
| Seats | | Fabric (Black) | Fabric (Black/silver stitching) | Leather (Black/orange stitching) |
| Door Trim | | Fabric Inserts (Black) | Fabric Inserts (Black) | Leather-look Inserts (Black) |
| Headlining | | Knitted Fabric (Grey) | | |
| Floor Carpet | | Needle Punch (Black) | | |

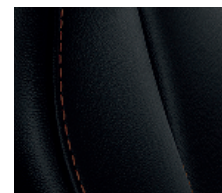
■ : Available M: Metallic* P: Pearlescent* PM: Premium Metallic* S: Solid
 *Metallic/pearlescent/premium metallic paint finish available at additional cost. Colours and trims reproduced on these pages may vary from the actual colours due to the limitations of the printing process used.



BLACK FABRIC (ECLIPSE CROSS 2)



HIGH GRADE BLACK FABRIC (ECLIPSE CROSS 3)



BLACK LEATHER (ECLIPSE CROSS 4)

TECHNICAL SPECIFICATIONS

| | | Eclipse Cross 2 1.5 2WD Manual | Eclipse Cross 3 / 4 1.5 2WD Manual | Eclipse Cross 3 1.5 2WD CVT Automatic | Eclipse Cross 3 / 4 1.5 4WD CVT Automatic |
|--|--|--------------------------------------|--|---|---|
|--|--|--------------------------------------|--|---|---|

| ENGINE | | | | | |
|----------------|-------------------|---|-----------------------|-----------------------|-----------------------|
| Engine type | | In-line 4-cylinder 16-valve DOHC MIVEC direct-injection petrol engine with turbocharger and intercooler and Auto Stop & Go (AS&G) | | | |
| Displacement | cc | 1499 | 1499 | 1499 | 1499 |
| Bore/stroke | mm | 75.0 x 84.8 | 75.0 x 84.8 | 75.0 x 84.8 | 75.0 x 84.8 |
| Maximum output | kw (PS) at rpm | 120 (163) / 5500 | 120 (163) / 5500 | 120 (163) / 5500 | 120 (163) / 5500 |
| Maximum torque | Nm (lb.ft) at rpm | 250 (184) / 1800-4500 | 250 (184) / 1800-4500 | 250 (184) / 1800-4500 | 250 (184) / 1800-4500 |

| PERFORMANCE | | | | | |
|-----------------------|-----------|-----------|-----------|-----------|-----------|
| Maximum speed | mph (kph) | 127 (205) | 127 (205) | 124 (200) | 124 (200) |
| Acceleration 0-62 mph | secs | 10.3 | 10.3 | 9.3 | 9.8 |

| OFFICIAL FUEL CONSUMPTION/CO ₂ EMISSIONS | | | | | |
|---|-----------------|------------|------------|------------|------------|
| Fuel type | | Unleaded | Unleaded | Unleaded | Unleaded |
| Fuel consumption - Combined ¹ | lts/100km (mpg) | 7.5 (37.7) | 7.8 (36.2) | 8.5 (33.2) | 8.7 (32.5) |
| CO ₂ emissions | g/km | 154 | 159 | 165 | 175 |
| Emissions compliance | | EU 6d-temp | EU 6d-temp | EU 6d-temp | EU 6d-temp |

| SUSPENSION/STEERING | | | | | |
|------------------------|---------------|---|---|---|---|
| Suspension | Front Rear | MacPherson strut, coil springs with stabiliser bar. Front strut tower bar Multi link, coil springs with stabiliser bar | | | |
| Brakes | | Anti-lock Braking System with Electronic Brakeforce Distribution (ABS + EBD), Brake Assist (BA), Hill Start Assist (HSA) and Emergency Stop signal System (ESS) | | | |
| | Front Rear | 294mm (11.6") ventilated disc 302mm (11.9") solid disc | 294mm (11.6") ventilated disc 302mm (11.9") solid disc | 294mm (11.6") ventilated disc 302mm (11.9") solid disc | 294mm (11.6") ventilated disc 302mm (11.9") solid disc |
| Steering | | Rack and pinion, electronic power-assisted | | Rack and pinion, electronic power-assisted | |
| Minimum turning circle | m (ft) | 10.6 (34.8) | 10.6 (34.8) | 10.6 (34.8) | 10.6 (34.8) |
| Tyres | | 215/70R16 | 225/55R18 | 225/55R18 | 225/55R18 |
| Wheels | | 16" x 6.5J alloy | 18" x 7.0J alloy | 18" x 7.0J alloy | 18" x 7.0J alloy |

| DRIVELINE/TRANSMISSION | | | | | |
|------------------------|--|--|---|--|--|
| Type | | Front transverse engine. Active Stability and Traction Control | | Front transverse engine. Active Stability and Traction Control | |
| Driveline | | 2WD (Front) with Active Yaw Control (AYC) | 2WD (Front) with Active Yaw Control (AYC) | 2WD (Front) with Active Yaw Control (AYC) | On-demand 4WD with Super All Wheel Control (S-AWC) |
| Clutch | | Hydraulic | Hydraulic | Torque converter | Torque converter |
| Transmission | | Manual - 6 speed | Manual - 6 speed | INVECS-III CVT - 8 speed with Sports Mode | INVECS-III CVT - 8 speed with Sports Mode |

| DIMENSIONS | | | | | |
|---|----|--------------------|--------------------|--------------------|--------------------|
| Exterior l x w x h | mm | 4405 x 1805 x 1685 | 4405 x 1805 x 1685 | 4405 x 1805 x 1685 | 4405 x 1805 x 1685 |
| Exterior width over extended door mirrors | mm | 2170 | 2170 | 2170 | 2170 |
| Ground clearance (unladen) | mm | 183 | 183 | 183 | 183 |
| Track Front / Rear | mm | 1545 / 1545 | 1545 / 1545 | 1545 / 1545 | 1545 / 1545 |
| Wheelbase | mm | 2670 | 2670 | 2670 | 2670 |

| WEIGHTS/VOLUMES | | | | | |
|--|--------------------------------------|--------------------------|--------------------------|--------------------------|--------------------------|
| Seating capacity | | 5 | 5 | 5 | 5 |
| Cargo capacity - Seat rearward - Seat forward | lts VDA (cu.ft.) lts VDA (cu.ft.) | 341 (12.0) 448 (15.8) | 341 (12.0) 448 (15.8) | 341 (12.0) 448 (15.8) | 341 (12.0) 448 (15.8) |
| Fuel tank capacity | lts (imp.galls) | 63 (13.8) | 63 (13.8) | 63 (13.8) | 60 (13.2) |
| Gross vehicle weight | kg | 2050 | 2050 | 2150 | 2150 |
| Kerb weight | kg | 1425 | 1455 | 1490 | 1550 |
| Towing capacity - Braked - Unbraked | kg kg | 1600 750 | 1600 750 | 1600 750 | 1600 750 |
| Trailer nose weight | kg | 80 | 80 | 80 | 80 |
| Roof loading capacity | kg | 50 | 50 | 50 | 50 |

| SERVICING/WARRANTY | | | | | |
|--------------------|--|--|--|---|--|
| Service intervals | | 12,500 miles or 12 months, whichever occurs first | | 12,500 miles or 12 months, whichever occurs first | |
| Warranty | | 5 year/62,500 mile warranty (first 24 months unlimited mileage, thereafter 36 months or 62,500 miles from date of registration, whichever occurs first), 12 year anti-corrosion perforation warranty, 3 year pan-European roadside, home and accident assistance | | | |

For full technical specification details please visit www.mitsubishi-cars.co.uk.

¹Figures shown are for comparability purposes only. Only compare fuel consumption and CO₂ figures with other cars tested to the same technical procedures.

These figures may not reflect real life driving results, which will depend on a number of factors including accessories fitted (post-registration), variations in weather, driving style and vehicle load.

There is a new test used for fuel consumption and CO₂ figures. The CO₂ figures shown however are based on the outgoing test cycle and will be used to calculate vehicle tax on first registration.

STANDARD AND OPTIONAL EQUIPMENT

| | Eclipse Cross 2 1.5 Manual | Eclipse Cross 3 1.5 Manual 1.5 CVT Automatic 1.5 CVT Automatic 4WD | Eclipse Cross 4 1.5 Manual 1.5 CVT Automatic 4WD |
|---|-------------------------------|---|--|
| SECURITY AND SAFETY FEATURES | | | |
| SECURITY | | | |
| Alarm/keyless entry | ■ | ■ | ■ |
| Deadlocks | ■ | ■ | ■ |
| Immobiliser, engine | ■ | ■ | ■ |
| Locking wheel nuts | ■ | ■ | ■ |
| Luggage cover, roll type | ■ | ■ | ■ |
| Visible VIN | ■ | ■ | ■ |
| SAFETY | | | |
| 360-degree camera with steering wheel switch | - | - | ■ |
| ABS with EBD | ■ | ■ | ■ |
| Active Stability and Traction Control (ASTC) | ■ | ■ | ■ |
| Airbag SRS x 7 - front, front side, curtain, driver's knee | ■ | ■ | ■ |
| Airbag, front passenger deactivation switch | ■ | ■ | ■ |
| Blind Spot Warning, Rear Cross Traffic Alert and Lane Change Assist | - | - | ■ |
| Brake Assist (BA) | ■ | ■ | ■ |
| Brake over-ride system | ■ | ■ | ■ |
| Child-proof rear door locks | ■ | ■ | ■ |
| Daytime running lights, LED type | ■ | ■ | ■ |
| Emergency Stop signal System (ESS) | ■ | ■ | ■ |
| Forward Collision Mitigation system (FCM) with pedestrian detection | ■ | ■ | ■ |
| High-mount stop lamp, LED type, rear | ■ | ■ | ■ |
| Hill Start Assist (HSA) | ■ | ■ | ■ |
| ISO-Fix child seat mounting x 2 and tether anchor x 2 | ■ | ■ | ■ |
| Lane Departure Warning (LDW) | ■ | ■ | ■ |
| Parking sensors, front and rear | - | ■ | ■ |
| Rear view mirror, auto-dimming | - | ■ | ■ |
| Reversing camera | ■ | ■ | ■ |
| Seatbelts, front - 3-point ELR x 2 with force limiters and pretensioners, height adjustable | ■ | ■ | ■ |
| Seatbelts, rear - 3-point ELR x 3, outer with force limiters and pretensioners | ■ | ■ | ■ |
| Speed limiter, adjustable | ■ | ■ | ■ |
| Tyre pressure monitoring system | ■ | ■ | ■ |
| EXTERIOR FEATURES | | | |
| STYLING | | | |
| 16" alloy wheels | ■ | - | - |
| 18" alloy wheels | - | ■ | ■ |
| Door handles, colour-keyed | ■ | ■ | ■ |
| Door mirrors, colour-keyed with side indicator lamps | ■ | ■ | ■ |
| Front bumper centre panel, black with silver upper grille | ■ | - | - |
| Front bumper centre panel, gloss black with silver/chrome upper grille | - | ■ | ■ |
| Front and rear skid plates, silver | ■ | ■ | ■ |
| Lower door garnish, silver | - | ■ | ■ |
| Metallic, pearlescent or premium metallic paint finish | □ | □ | □ |
| Privacy glass, rear side windows and tailgate window | ■ | ■ | ■ |
| Roof rails, black | ■ | ■ | ■ |
| Roof spoiler, colour-keyed | ■ | ■ | ■ |
| Side window mouldings, chrome | ■ | ■ | ■ |
| Tailgate garnish, chrome | ■ | ■ | ■ |
| Wheelarch garnishes, black | ■ | ■ | ■ |

■ : Standard □ : Option at additional cost - : Not available

STANDARD AND OPTIONAL EQUIPMENT

| EXTERIOR FEATURES | Eclipse Cross 3 | | |
|---|-------------------------------|--|--|
| | Eclipse Cross 2 1.5 Manual | 1.5 Manual 1.5 CVT Automatic 1.5 CVT Automatic 4WD | Eclipse Cross 4 1.5 Manual 1.5 CVT Automatic 4WD |
| FUNCTIONAL | | | |
| Central door locking | ■ | ■ | ■ |
| Door mirrors, electric heated | ■ | - | - |
| Door mirrors, electric heated with folding function | - | ■ | ■ |
| Fog lamps, front | ■ | ■ | ■ |
| Follow-me-home headlamp function | ■ | ■ | ■ |
| Headlamps, automatic high beam | ■ | ■ | ■ |
| Headlamps, automatic light sensor | ■ | ■ | ■ |
| Headlamps, halogen projector type with manual levelling | ■ | ■ | - |
| Headlamps, LED type with washers and auto-levelling | - | - | ■ |
| Sound reducing windscreen | - | ■ | ■ |
| Tyre inflation kit | ■ | ■ | ■ |
| Wipers, automatic rain sensor | ■ | ■ | ■ |
| Wipers, variable intermittent with washer, front | ■ | ■ | ■ |
| Wiper, intermittent with washer, rear | ■ | ■ | ■ |
| Window demister with timer, rear | ■ | ■ | ■ |

INTERIOR FEATURES

| | | | |
|---|---|---|---|
| AUDIO/COMMUNICATIONS | | | |
| Aerial, rear roof, 'shark fin' type | ■ | ■ | ■ |
| Bluetooth® hands-free telephone connection with voice control and music streaming | ■ | ■ | ■ |
| DAB radio | ■ | ■ | ■ |
| Smartphone Link Display Audio (SDA) with 6 speakers | ■ | ■ | - |
| Smartphone Link Display Audio (SDA) with Rockford Fosgate® premium 9-speaker system | - | - | ■ |
| Touch pad controller, centre console | ■ | ■ | ■ |
| USB connection x 2 | ■ | ■ | ■ |

STYLING

| | | | |
|--|---|---|---|
| Dashboard centre and floor console panels, gloss black with silver accents | ■ | ■ | ■ |
| Door trim inserts, front and rear, fabric | ■ | ■ | - |
| Door trim inserts, front and rear, leather-look | - | - | ■ |
| Interior door handles, chrome | - | ■ | ■ |
| Seat trim, black fabric | ■ | - | - |
| Seat trim, high grade black fabric with silver stitch | - | ■ | - |
| Seat trim, black leather with orange stitch | - | - | ■ |
| Steering wheel and gearshift knob, leather-wrapped, black | ■ | ■ | ■ |

CONVENIENCE

| | | | |
|---|---|---|-----------|
| Air conditioning, automatic with air filter | ■ | - | - |
| Air conditioning, dual-zone climate control with air filter | - | ■ | ■ |
| Bottle holder, front and rear doors | ■ | ■ | ■ |
| Cargo tie-down hook x 4 | ■ | ■ | ■ |
| Console box with armrest lid | ■ | ■ | ■ |
| Cruise control | ■ | ■ | Manual |
| Cruise control, adaptive | - | - | Automatic |
| Cup holders, front, in floor console | ■ | ■ | ■ |
| Cup holders, rear, in centre armrest | - | ■ | ■ |
| Footrest, driver's | ■ | ■ | ■ |
| Front seat back rest pocket, driver's side | - | - | ■ |
| Front seat back rest pocket, passenger's side | ■ | ■ | ■ |

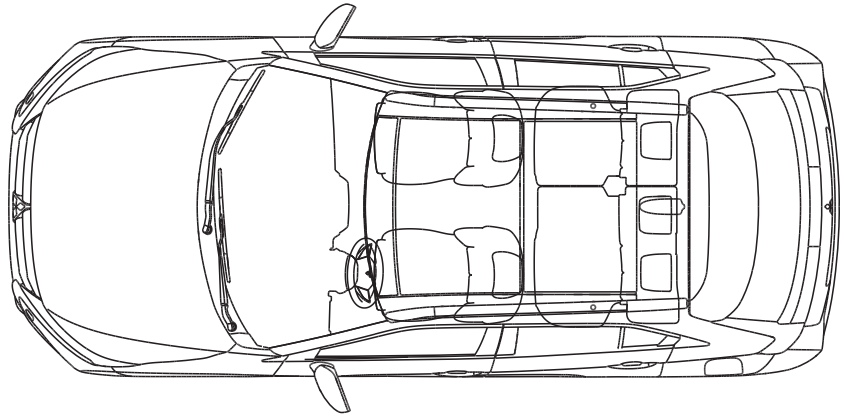
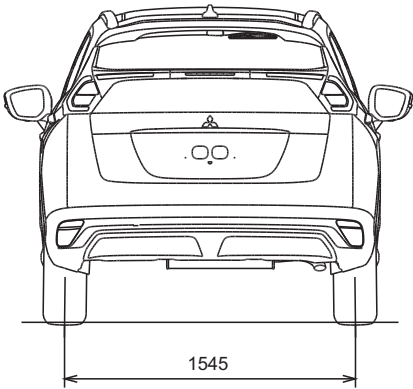
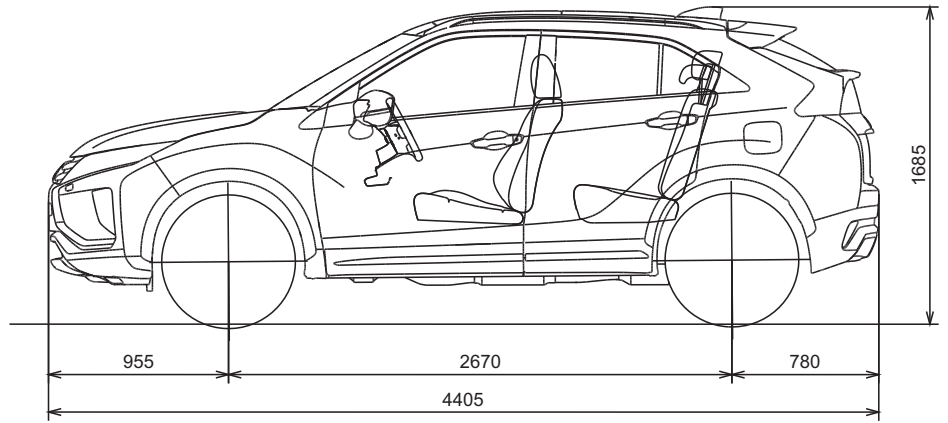
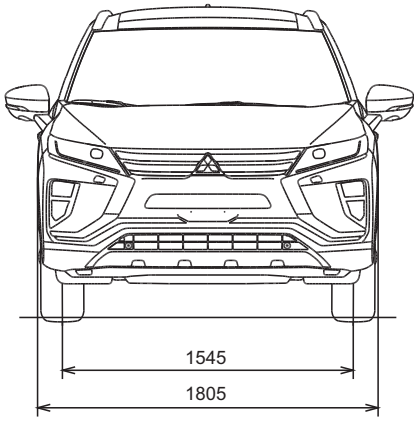
■ : Standard □ : Option at additional cost - : Not available

STANDARD AND OPTIONAL EQUIPMENT

| | Eclipse Cross 2 1.5 Manual | Eclipse Cross 3 1.5 Manual 1.5 CVT Automatic 1.5 CVT Automatic 4WD | Eclipse Cross 4 1.5 Manual 1.5 CVT Automatic 4WD |
|---|-------------------------------|---|--|
| INTERIOR FEATURES | | | |
| CONVENIENCE CONTINUED | | | |
| Head-up display | - | ■ | ■ |
| Luggage area underfloor compartment | ■ | ■ | ■ |
| Retractable assist grip x 4 | ■ | ■ | ■ |
| Smartphone tray, lower centre panel | ■ | ■ | ■ |
| Steering column tilt & telescopic adjustment | ■ | ■ | ■ |
| Steering wheel audio controls | ■ | ■ | ■ |
| Sunglasses holder | ■ | ■ | ■ |
| Sunvisors, driver's and passenger's with vanity mirrors and ticket holders | ■ | - | - |
| Sunvisors, driver's and passenger's with illuminated vanity mirrors and ticket holders | - | ■ | ■ |
| FUNCTIONAL | | | |
| 4WD mode selector, push-button type, floor console | - | Automatic 4WD | Automatic |
| Accessory socket, front and rear | ■ | ■ | ■ |
| Electric panoramic sunroof with powered front and rear blinds | - | - | ■ |
| Electric windows, front and rear, with driver's window one-touch open/close and anti-trapping mechanism | ■ | ■ | ■ |
| Electronic parking brake and brake auto hold | - | Automatic | Automatic |
| Keyless operation system with engine start/stop button | - | ■ | ■ |
| Multi information colour LCD display with high-contrast meters | ■ | ■ | ■ |
| Shift paddles on steering column | - | Automatic | Automatic |
| LIGHTING | | | |
| Interior lamps - front, rear and luggage area | ■ | ■ | ■ |
| Map reading lamps, front | ■ | ■ | ■ |
| Smartphone tray and front cup holders, LED illumination | ■ | ■ | ■ |
| SEATS | | | |
| Armrest, front centre, fixed type | ■ | - | - |
| Armrest, front centre, high grade sliding type | - | Manual | Manual |
| Armrest, front centre, high grade fixed type | - | Automatic | Automatic |
| Armrest, rear centre with built-in cup holders | - | ■ | ■ |
| Driver's seat 4-way powered adjustment | - | - | ■ |
| Driver's seat height adjustment | ■ | ■ | ■ |
| Front seats, heated | - | ■ | ■ |
| Front seats, slide and recline adjustment | ■ | ■ | ■ |
| Head restraints, height adjustable, front x 2 | ■ | ■ | ■ |
| Head restraints, height adjustable, rear x 3 | ■ | ■ | ■ |
| Rear seats, 60/40 split-folding backrests | ■ | ■ | ■ |
| Rear seats, sliding (200mm) and 8-step reclining adjustments | ■ | ■ | ■ |

■ : Standard □ : Option at additional cost - : Not available

DIMENSIONAL VIEWS



MITSUBISHI MOTORS RECYCLING

We all have a duty to protect the environment. After a long working life we will take back any Mitsubishi Motors vehicle originally sold by The Colt Car Company Ltd. and recycle it in an environmentally friendly manner in accordance with the EU Directive on End-of-Life Vehicles and any applicable national statutory provisions.

All Mitsubishi Motors vehicles sold by The Colt Car Company Ltd., irrespective of date of sale, will be taken back free of charge from the last owner, at one of the designated take-back points, provided the vehicle contains all major components and is free of waste.

For further information please visit www.cartakeback.com, email info@cartakeback.com or call the Cartakeback info-line on 0845 257 32 33.

Mitsubishi Motors policy is one of continuous product development and the right is reserved to change specification, features and prices without prior notice. The specification of vehicles illustrated in this publication may not be applicable to the UK market. Although every effort has been made to ensure that the written information was accurate, up-to-date and consistent with UK specification at the time of going to press, this brochure should not be regarded as infallible and, as such, does not constitute an offer for the sale of any particular vehicle. No part of this publication may be reproduced in any form or by any means, without the prior written permission of The Colt Car Company Limited.

Head Office: The Colt Car Company Limited, Watermoor, Cirencester, Glos. GL7 1LF

Website: www.mitsubishi-cars.co.uk



MitsubishiUK



MitsubishiUK



MitsubishiTV

This brochure has been produced by an ISO14001 environmentally accredited printer where all processes are managed and materials recycled. The paper used to produce this brochure is from sustainable forests, chlorine free and from an ISO14001 accredited mill. This brochure is fully recyclable.