

MIRAGE



This is our vision For a better future.

At Mitsubishi Motors we've transformed the way we think. Our goal is to become a world leader in the reduction of CO₂ emissions and already we've come a long way. We were the very first mainstream manufacturer to bring an electric vehicle to the UK market and are soon to introduce a class-leading plug-in hybrid 4x4, with CO₂ emissions way below those produced by a small car; all of our vehicles sold in the UK are at least 90% recyclable and many of our components are made out of recycled parts or utilise plant based resins instead of plastics.

Over here we are renowned for our 4x4 technology, yet we also make many much smaller and lighter vehicles. Take this Mirage, for example. Its vital statistics put it amongst the smallest and lightest of cars on our roads, yet it offers the same interior space as many of those with larger proportions. It employs such advanced aerodynamics that it slips through the air better than some of the most iconic sports cars. And it's so miserly in its emissions that every single model is exempt from Vehicle Excise Duty!

But at Mitsubishi Motors it's not just our cars that are greener. In our offices we're saving waste, power, packaging and becoming paper-free. And our manufacturing process is cleaner too; we've planted hundreds of thousands of trees and eliminated environmentally hazardous substances, and our factories are switching to water-based paint and working towards zero landfill waste. Our philosophy is one of continual evolution and improvement. **We call this Intelligent Motion.**



INTELLIGENT  MOTION



The Mitsubishi Mirage: a car for our time

In Britain over the last decade petrol prices have doubled, main roads come to resemble car parks, emissions-related taxes been introduced and filling stations become harder to find. To those for whom these facts are relevant we present the brand new Mitsubishi Mirage.

The Mirage is a car designed to be equally at home in congested city streets or narrow country lanes. It can dive in and out of diminutive gaps and slot straight into the smallest of parking spaces with room to open the doors! It is stylish: cool in a rather

elegant, understated sort of way, with looks which will last the decade not just the year. It provides superlative fuel consumption and exceptional value. It is well equipped and practical; a no-nonsense type of car which puts safety, reliability, economy and low emissions high on its CV and packs room to carry family and friends into the smallest possible footprint. All told, it is a car which will bring a smile to your face and a lift to your heart. It is a car of our time and for our time. It may be a Mirage by name, but its attributes couldn't be more real.



A real smoothy

 **68.9** mpg*

The Mirage slips smoothly through the air thanks to body contours sculpted by cutting-edge computer simulation and wind tunnel testing. In fact, its aerodynamic shape achieves a class-leading drag coefficient (Cd) of 0.27, which reduces wind noise and CO₂ emissions whilst improving fuel efficiency (up to a remarkable 68.9mpg in combined mode) as well as high-speed stability. Aerodynamic drag and lift force are further reduced by an innovative double-tiered roof spoiler**, air dams and under-floor covers.

*On Mirage 2 and Mirage 3 CVT models combined mode. **Not Mirage 1



A solid proposition for the real world

The Mirage was designed from the outset to be economical and eco-friendly, and the result is a car with a kerb weight of just 845kg and an aerodynamic efficiency rating of 0.27 – the same as a Porsche Boxster. Together these two factors define the way the Mirage drives. Combined cycle fuel consumption of up to 68.9mpg and CO₂ emissions at 100g/km or less make the whole range exempt from road tax. But, contrary to what you might expect, it doesn't make the Mirage a dull companion; far from it, in fact. The light weight and exceptional aerodynamics also mean that its eager 3-cylinder engine enables it to hustle along at a very decent rate. Nothing extreme of course, but when pushed through its paces the acceleration leaves a good

many, much better known rivals in its dust, whilst the top speed puts well over a dozen major competitors to shame. Excellent all-round visibility, the tightest turning circle in its class and electric power steering combine to make easy work of manoeuvring, whilst at higher speeds the car steers and handles tidily. The brakes are responsive, the manual gearshift is light, snappy and a pleasure to use, the suspension geared for comfort. Indeed, the sum of the package is a car which is both fun and frugal. It's a car which is particularly at home in the town, yet remains safe and predictable when you venture further afield. It's a car which, in today's world, ticks every box.



Driving forces

The Mirage is powered by a new generation of lightweight and compact petrol engines: 1.0 litre on Mirage 1 and 1.2 litre for Mirages 2 and 3. All three derivatives come with a five-speed manual transmission, whilst an automatic option is also available on Mirage 3. This smooth changing Continuously Variable Transmission (CVT) not only makes driving even easier, it's also even more efficient in terms of both fuel economy and emissions.

Giving the green light to economy

In addition to its low kerb weight and excellent aerodynamics the Mirage is equipped with a raft of fuel-saving technologies. Depending upon the model these include Auto Stop and Go, a high-efficiency alternator with intelligent output control, low-friction tyres and Mitsubishi's latest and most intelligent CVT transmission. And, in order to make the best use of all these, the Eco lamp and Eco Drive Assist display on the dash light up to show when you are driving in the most economical manner.



High expectations as standard

The Mirage is great value but it never, ever feels cut-price. Quite the contrary, in fact, since it's packed full of features and is solidly screwed together. Take a seat and you'll find them to be comfortable and supportive, providing an excellent driving position with superb visibility all round and the controls within easy reach. Look closer and you'll find a USB connection, CD player and electrically operated front windows on even the entry model. Opt for the Mirage 2 and you get remote central locking, air conditioning and electric windows all round, as well as extra speakers. Splash out on a Mirage 3 and you get a keyless operation system with engine start/stop button, a leather steering wheel and gear knob, and the air conditioning automatically maintains your selected cabin temperature. What more do you ever need?

Automatic air conditioning (Mirage 3)



**USB connection
(All models)**



**Keyless operation system
(Mirage 3)**



**Engine start/stop button
(Mirage 3)**





A city-sized car offering supermini space

At Mitsubishi we've always been good with space. We launched a 7-seater MPV over thirty years ago (long before the term was invented) and were one of the very first manufacturers to optimise height to great effect in vehicles like our Space Star. In the Mirage, we continue the tradition. A carefully designed, compact engine compartment results in more cabin space, and the Mirage is a triumph of packaging. It offers more total legroom and more boot space than almost all of its nearest rivals. It provides great space in all of its five seats, with enough leg- and head-room for six-foot-plus passengers; and there are plenty of pockets and cupholders to keep the interior tidy too, as well as 60:40 split-folding rear seats for ultimate flexibility.





Safely going about your business

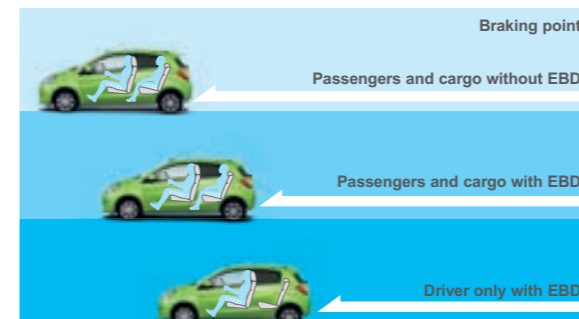
It doesn't matter whether you travel ten miles a week or ten times that number, safety is top of everyone's list of priorities; it's also a sphere in which the Mirage excels. Active safety measures across the range include a body designed to see and be seen, with daytime running lights, a clear view of the road and front and rear parking sensors*, a stability and traction control system to help prevent drift around bends and aid linear acceleration, and a particularly clever Anti-lock Braking System. Should the unthinkable actually occur, occupants are protected with front, side and curtain airbags and a massively strong monocoque structure made from ultra-high tensile steel which absorbs and disperses crash energy from all directions. In fact, it's like sitting in a steel safety cage. The Mirage will undergo Euro NCAP impact testing later in 2013, but it has already been tested in Australia and achieved the top 5-Star rating in the ANCAP test.

*Standard on Mirage 3 only

So much more than ABS

Across the range the Mirage's Anti-lock Braking System (ABS) includes some particularly clever features. There's Electronic Brakeforce Distribution (EBD), which automatically adjusts the braking effort to individual wheels to accommodate the location of weight. Then there is a Brake Override System which automatically prioritises the brakes over the accelerator if they are activated at the same time, Brake Assist which provides power assistance to boost braking in an emergency situation, and an Emergency Stop Signal System which automatically flashes the hazard warning lights at double speed to warn vehicles around you in such a situation.

ABS with EBD



Hill Start Assist

Hill Start Assist, which maintains the braking force on a hill for about two seconds until the accelerator is applied, is a feature of Mirage 3 vehicles with CVT.







Light in weight, heavy on the benefits

Many journalists claim that the Mirage is one of the best value cars on the market today, yet it never skimps where it matters: on things like safety or handling or comfort. It doesn't skimp on looks, either. You'll not find a grey bumper anywhere since all the bodywork is colour-keyed; splash out on a Mirage 2 and the door handles and mirrors are colour-keyed too; and you'll get a roof spoiler and privacy glass, as well as automatic, light sensitive headlights and rain sensitive

wipers. Of course, the Mirage is a flyweight, which helps with economy, agility and braking ability, but it feels well made, easy to drive and comfortable, with a cushioning ride. It offers space, low running costs, a good specification and the peace of mind which comes with the Mitsubishi name, a name synonymous with reliability. Without doubt, this small, compact car is a heavyweight when it comes to meeting the needs of the modern motorist.





When you buy a new Mitsubishi, you not only get a safe and reliable vehicle that is a real pleasure to drive, you also become part of the Mitsubishi family. And as our nearest and dearest, we want you to feel protected should you ever encounter a problem – that's why we have **me&my**.

All new Mirages are provided with a comprehensive three-year, **unlimited mileage warranty** and **12-year anti-corrosion, perforation warranty**. Please ask your Authorised Mitsubishi Dealer for full details.

With the **Mitsubishi Assistance Package (MAP)** we go the extra mile. Our assistance programme is there to help should you breakdown at the roadside or at home. It provides vehicle recovery following a breakdown or accident and help if your vehicle is stolen or vandalised and, if you should accidentally fill up with the wrong fuel, don't worry – we'll be there for you then too. What's more, you're covered 24/7 in over 30 countries throughout Europe. So whether you're on the daily school run or cruising through the Alps on your holidays, it's comforting to know that if the unexpected does happen, help is always at hand.

And should you be unlucky enough to have an accident we have **Mitsubishi First** – our customer support service for all Mitsubishi drivers following an accident. No matter which insurer you use, Mitsubishi First smoothes your progress through an insurance claim, handling everything on your behalf – no hassle, no claim forms, no running about, and absolutely no cost to you.

And once you're part of the family...

Service with a smile

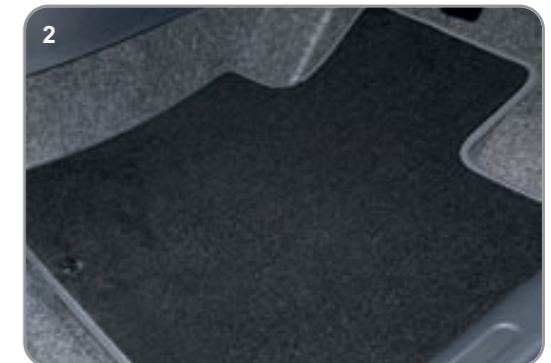
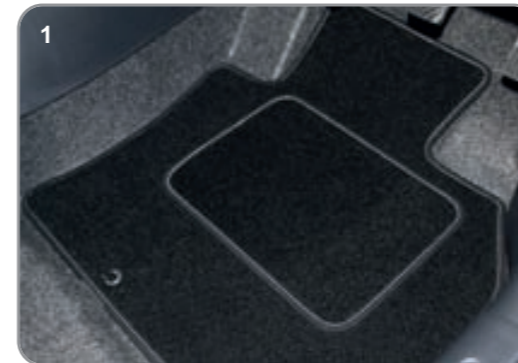
A **Mitsubishi Service Plan**, purchased at the same time as your Mirage, covers the first three scheduled services for a modest sum. It can be included in your vehicle's finance and transferred to a new owner when you sell.

Mitsubishi Motors also offer superior **insurance cover** at a competitive price which is specifically designed for Mitsubishi vehicles and uses only genuine parts and approved repair centres.



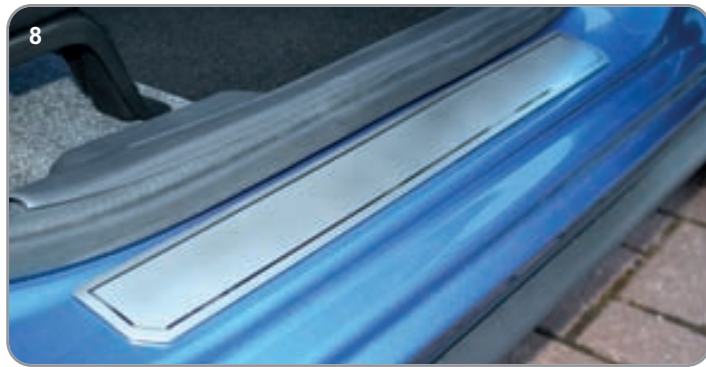
Accessorise your Mirage

Practical, frugal and fun, the Mitsubishi Mirage is an exceptional vehicle for our time and you can keep it looking exceptional with the special Protection Pack, comprising of a full mat set (front, rear and boot), mudflaps and entry guards for all four doors. Standard specifications are excellent but there are always ways to personalise your vehicle – to make it fit your own particular needs more precisely. To that end there are a number of approved accessories, all of which benefit from the same excellent warranty as the vehicle itself if fitted at the time of purchase. So, before you make your decision take a look at the Mirage accessories website at www.mitsubishi-cars.co.uk/Mirage and make sure that you make the most of your car.



1. Textile mat set – Classic
2. Textile mat set – Elegance
3. Textile boot mat
4. Boot tray, lightweight foam type
5. Front centre armrest, with rear cup/bottle holder

- 6. Front fog lamp garnish, chrome
- 7. Roof carrier
- 8. Front door entry guards, stainless steel
- 9. Rear door entry guards, stainless steel
- 10. Exhaust finisher, chrome
- 11. Tailgate garnish, chrome



- 12. Front and rear mudflaps
- 13. Front parking sensors (for Mirage 1 and 2)
- 14. Rear parking sensors (for Mirage 1 and 2)
- 15. Side protection mouldings
- 16. Safety kit



Mirage 1

1.0 Manual



Key features

- Anti-lock Braking System with EBD
- Brake Assist and Emergency Stop Signal System
- Mitsubishi Active Stability and Traction Control (M-ASTC)
- Dual front, side and curtain SRS airbags
- Daytime running lights
- 14" steel wheels with full covers
- Electric front windows
- 60/40 split-folding rear seat backrests
- Centre multi-info display
- Gearshift timing indicator
- Radio/CD/MP3 player with 2 speakers
- AUX input and USB port

Mirage 2

1.2 manual



Key features

Specification as Mirage 1 plus:

- Auto Stop & Go (AS&G)
- Remote central door locking
- Electric door mirrors
- Electric rear windows
- Colour-keyed door mirrors and handles
- Privacy glass
- Rear spoiler
- Air conditioning – manual
- Eco drive assist indicator
- Tachometer
- Exterior temperature display
- Height-adjustable driver's seat
- Luggage area cover and lamp
- Radio/CD/MP3 player with 4 speakers
- Auto-light control
- Rain sensor

Mirage 3

1.2 Manual



Key features

Specification as Mirage 2 plus:

- 15" alloy wheels
- Front and rear parking sensors
- Front fog lamps
- Keyless operation system with engine start/stop button
- Air conditioning – climate control
- Leather steering wheel and gearshift knob

Mirage 3 CVT

1.2 CVT Automatic



Key features

Specification as Mirage 3 plus:

- Hill Start Assist
- 14" alloy wheels

Colour Options and Seat Trims



Eisen Grey (P)



Starlight Silver (M)



Pop Green (M)



Red Metallic (M)



Reef Blue (P)



Polar White (S)



White Pearl (P)



Cosmos Black (P)

Model	Mirage 1	Mirage 2	Mirage 3
Exterior colour			
Eisen Grey (P)	A02	■	■
Starlight Silver (M)	A66	■	■
Pop Green (M)	F24	■	■
Red Metallic (M)	P19	■	■
Reef Blue (P)	T69	■	■
Polar White (S)	W19	■	■
White Pearl (P)	W54	■	■
Cosmos Black (P)	X08	■	■
Seats	Fabric (Black)	Fabric (Black)	Fabric (Black)
Headlining	Non-woven Fabric (Grey)		
Floor carpet	Needle Punch (Grey)		

■ : Available M: Metallic* P: Pearllescent* S: Solid *Metallic/pearllescent paint finish available at additional cost. Colours and trims reproduced on these pages may vary from the actual colours due to the limitations of the printing process used.

Technical Specifications

Model	Mirage 1 1.0 Manual	Mirage 2 1.2 Manual	Mirage 3 1.2 Manual	Mirage 3 1.2 CVT Automatic	
Engine	1.2-litre 3-cylinder 12-valve DOHC MIVEC petrol engine with Auto Stop & Go (AS&G)				
Engine type	1.0-litre 3-cylinder 12-valve DOHC MIVEC petrol engine	1.2-litre 3-cylinder 12-valve DOHC MIVEC petrol engine with Auto Stop & Go (AS&G)			
Fuel system	Electronically controlled multi-point fuel injection (ECI-MULTI)				
Displacement	cc	999	1193	1193	
Bore/stroke	mm	75.0 x 75.4	75.0 x 90.0	75.0 x 90.0	
Compression ratio		11.5	11.0	11.0	
Max. output	kw (bhp) at rpm	52 (69)/6000	59 (79)/6000	59 (79)/6000	
Max. torque	Nm (lb.ft) at rpm	88 (64)/5000	106 (78)/4000	106 (78)/4000	
Performance/Fuel Consumption/Emissions					
Maximum speed	mph (kph)	106 (172)	112 (180)	112 (180)	
Acceleration 0-62 mph	secs	13.6	11.7	12.8	
Fuel type		Unleaded	Unleaded	Unleaded	
Fuel consumption	Urban mode	5.0 (56.5)	4.8 (58.9)	5.0 (56.5)	
Its/100km (mpg)	Extra urban mode	3.6 (78.5)	3.7 (76.3)	3.9 (72.4)	
	Combined mode	4.2 (67.3)	4.1 (68.9)	4.3 (65.7)	
CO ₂ emissions	g/km	96	96	100	
Emissions compliance		EU-5b	EU-5b	EU-5b	
Suspension/Steering		MacPherson strut, coil springs with stabilizer bar			
Suspension	Front	Torsion beam with stabiliser bar			
	Rear	Anti-lock Braking System with Electronic Brakeforce Distribution (ABS + EBD), Brake Assist (BA)			
Brakes	Front	9" Ventilated discs	9" Ventilated discs	9" Ventilated discs	
	Rear	7.1" Drums	7.1" Drums	7.1" Drums	
Steering		Rack and pinion with electronic power assistance			
Min. turning circle	m (ft)	9.2 (30.2)	9.2 (30.2)	9.2 (30.2)	
Tyres		165/65R14 79S	165/65R14 79S	175/55R15 77V	
Wheels		14 x 4.5J Steel	14 x 4.5J Steel	15 x 5.0J Alloy	
Driveline/Transmission		Front transverse engine/Front wheel drive with Mitsubishi Active Stability and Traction Control (M-ASTC)			
Type		5-speed			
Transmission	Manual	5-speed	5-speed	5-speed	
	Automatic	-	-	-	
		-	-	Continuously Variable Transmission (CVT)	
Gear ratios	D range	-	-	4.007-0.550	
	1st	3.545	3.545	-	
	2nd	1.913	1.913	-	
	3rd	1.310	1.310	-	
	4th	1.027	1.027	-	
	5th	0.850	0.850	-	
	Reverse	3.214	3.214	-	
Final gear ratio		3.550	3.550	3.757	
Dimensions					
Exterior l x w x h	mm	3710 x 1665 x 1490	3710 x 1665 x 1490	3710 x 1665 x 1490	
Exterior width over extended door mirrors	mm	2005	2005	2005	
Ground clearance (unladen)	mm	150	150	150	
Track Front/Rear	mm	1430/1415	1430/1415	1430/1415	
Wheelbase	mm	2450	2450	2450	
Weights/Volumes					
Seating capacity		5	5	5	
Cargo capacity min.	lts VDA (cu.ft.)	235 (8.29)	235 (8.29)	235 (8.29)	
max.	lts VDA (cu.ft.)	600 (21.2)	600 (21.2)	600 (21.2)	
Fuel tank capacity	lts (imp.galls)	35 (7.7)	35 (7.7)	35 (7.7)	
Gross vehicle weight	kg (lbs)	1290 (2844)	1340 (2954)	1340 (2954)	
Kerb weight	kg (lbs)	845 (1863)	845 (1863)	865 (1907)	
Roof loading capacity	kg (lbs)	50 (110)	50 (110)	50 (110)	
Servicing/Insurance/Warranty		Every 12,500 miles or 12 months, whichever occurs first			
Service intervals		3 year unlimited mileage warranty, 12 year anti-corrosion perforation warranty,			
Warranty		3 year pan-European roadside, home and accident assistance			

The fuel consumption figures quoted are those produced under Government regulations for the purpose of comparing new cars. They should not be regarded as a representation of achievable fuel consumption, which in practice will vary with load, road conditions, driving style and other factors.

Standard and Optional Equipment

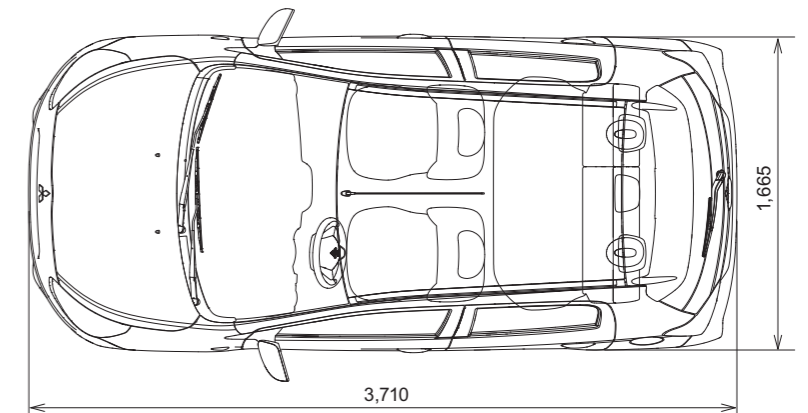
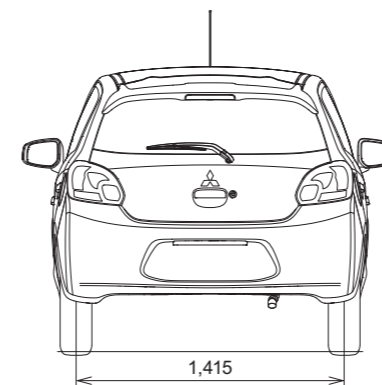
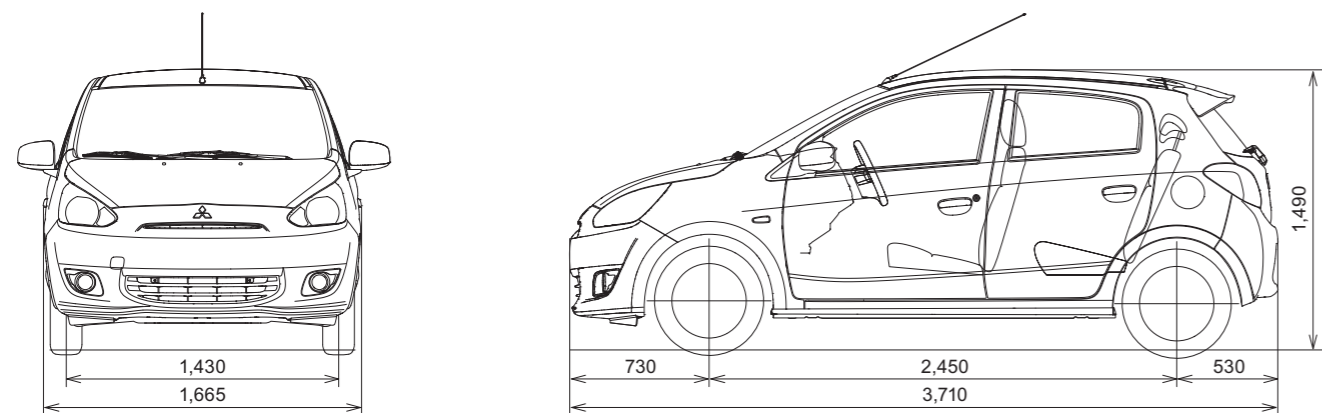
Model	Mirage 1 1.0 Manual	Mirage 2 1.2 Manual	Mirage 3 1.2 Manual	Mirage 3 1.2 CVT Automatic
Security and Safety Features				
Security				
Immobiliser, engine	■	■	■	■
Keyless entry	-	■	■	■
Locking wheel nuts	-	-	■	■
Luggage cover	-	-	■	■
Visible VIN	■	■	■	■
Safety				
ABS with EBD	■	■	■	■
Airbag SRS, driver's and front passenger's	■	■	■	■
Airbag SRS, front seat side x 2	■	■	■	■
Airbag SRS, curtain type, 1st and 2nd row	■	■	■	■
Airbag, front passenger deactivation switch	■	■	■	■
Brake Assist (BA)	■	■	■	■
Child proof rear door locks	■	■	■	■
Daytime running lights	■	■	■	■
Emergency Stop Signal System (ESS)	■	■	■	■
Fog lamp, rear	■	■	■	■
High mount stop lamp	■	■	■	■
Hill Start Assist (HSA)	-	-	-	■
ISO-Fix child seat mountings	■	■	■	■
Mitsubishi Active Stability and Traction Control (M-ASTC)	■	■	■	■
Parking sensors, front	DFO	DFO	■	■
Parking sensors, rear	DFO	DFO	■	■
RISE (Reinforced Impact Safety Evolution) body safety system	■	■	■	■
Seatbelts, 3-point ELR with pretensioners and force limiters, front	■	■	■	■
Seatbelts, 3-point ELR x 3, 2nd row	■	■	■	■
Seatbelt fastening warning lamp	■	■	■	■
Tether anchor x 2	■	■	■	■
Exterior Features				
Functional				
Central door locking including tailgate	-	■	■	■
Door mirrors, manually adjustable	■	-	-	-
Door mirrors, electrically adjustable	-	■	■	■
Fog lamps, front	-	-	■	■
Headlamps, automatic light sensor	-	■	■	■
Headlamps, halogen	■	■	■	■
Tyre inflation kit	■	■	■	■
Wipers, automatic rain sensor	-	■	■	■
Wipers, variable intermittent with washer, front	■	■	■	■
Wiper, intermittent with washer, rear	■	■	■	■
Window demister, rear	■	■	■	■
Styling				
14" steel wheels with full covers	■	■	-	-
14" alloy wheels, 7-spoke	-	-	-	■
15" alloy wheels, 8-spoke	-	-	■	-
Bumpers, front and rear, colour-keyed	■	■	■	■
Door mirrors and handles, black	■	-	-	-
Door mirrors and handles, colour-keyed	-	■	■	■
Door sashes, black	-	■	■	■
Front grille, black	■	■	■	■
Metallic or pearlescent paint finish	-	OPT	OPT	OPT
Privacy glass, rear side window and tailgate window	-	■	■	■

■ : Standard □ : Option at additional cost - : Not available DFO : Dealer Fit Option at additional cost

Model	Mirage 1 1.0 Manual	Mirage 2 1.2 Manual	Mirage 3 1.2 Manual	Mirage 3 1.2 CVT Automatic
Exterior Features continued				
Styling				
Rear spoiler, colour keyed	-	■	■	■
Side airdams	■	■	■	■
Interior Features				
Audio/Navigation/Communications				
Aerial, roof mounted	■	■	■	■
AUX input	■	■	■	■
Stereo radio/CD with MP3 compatibility and 2 speakers	■	-	-	-
Stereo radio/CD with MP3 compatibility and 4 speakers	-	■	■	■
USB port	■	■	■	■
Styling				
Air outlet trim, silver	-	■	■	■
Gear knob, leather-wrapped, black	-	-	■	■
Inner door handles, black	■	-	-	-
Inner door handles, front, bright finish	-	■	■	■
Seat trim, fabric	■	■	■	■
Steering wheel, leather-wrapped, black	-	-	■	■
Convenience				
Accessory socket, centre console	■	■	■	■
Air conditioning, manual with pollen filter	-	■	-	-
Air conditioning, climate control with pollen filter	-	-	■	■
Convenience hook, front passenger's seat backrest	■	■	■	■
Dashboard tray, passenger side	■	■	■	■
Door pockets, front, with bottle holders	■	■	■	■
Floor console with cup holders, front x 2 and rear x 1	■	■	■	■
Footrest, driver's	■	■	■	■
Glove box	■	■	■	■
Lights-on warning buzzer	■	■	■	■
Retractable assist grips, driver's and front passenger's	■	■	■	■
Sunvisors x 2 with driver's vanity mirror and ticket holder	■	■	■	■
Functional				
Centre multi-info display	■	■	■	■
Eco drive assist indicator	-	■	■	■
Electric windows, front	■	-	-	-
Electric windows, front with driver's one-touch open/close and anti-trapping	-	■	■	■
Electric windows, rear	-	■	■	■
Engine start/stop button	-	-	■	■
Exterior temperature display	-	■	■	■
Gearshift timing indicator	■	■	■	-
Keyless operation system	-	-	■	■
Steering wheel, tilt adjustable	■	■	■	■
Tachometer	-	■	■	■
Lighting				
Interior lamp, front	■	■	■	■
Luggage/cargo area lamp	-	■	■	■
Seats				
Driver's seat height adjustment	-	■	■	■
Front seats, slide and recline adjustment	■	■	■	■
Head restraints, height adjustable, front x 2	■	■	■	■
Head restraints, height adjustable, rear x 3	-	■	■	■
Rear seats, 60/40 split-folding backrests	■	■	■	■
Seatbelts, height adjustable, front	-	■	■	■

Dimensional Views

All measurements in millimetres.





To find out about
our special offers
scan here.

MITSUBISHI MOTORS RECYCLING

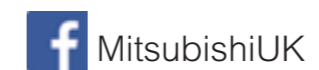
We all have a duty to protect the environment. After a long working life we will take back any Mitsubishi Motors vehicle originally sold by The Colt Car Company Ltd. and recycle it in an environmentally friendly manner in accordance with the EU Directive on End-of-Life Vehicles and any applicable national statutory provisions.

All Mitsubishi Motors vehicles sold by The Colt Car Company Ltd., irrespective of date of sale, will be taken back free of charge from the last owner, at one of the designated take-back points, provided the vehicle contains all major components and is free of waste.

For further information please visit www.cartakeback.com, email info@cartakeback.com or call the Cartakeback info-line on 0845 257 32 33.

The specification of the vehicles illustrated in this publication may not be applicable to the UK market, furthermore some vehicle illustrations may include accessory items which are not part of UK standard specification. However, every effort has been made to ensure that the written information was accurate, up-to-date and consistent with UK specification at the time of going to press. The right is reserved to change specification, features and prices without prior notice. To avoid any misunderstandings, your Mitsubishi Motors dealer will advise of any alterations made since the date of issue of this brochure. No part of this publication may be reproduced in any form or by any means, without the prior written permission of The Colt Car Company Ltd.

Head Office: The Colt Car Company Ltd, Watermoor, Cirencester, Glos. GL7 1LF
Website: www.mitsubishi-cars.co.uk



This brochure has been produced by an ISO14001 environmentally accredited printer where all processes are managed and materials recycled. The paper used to produce this brochure is from sustainable forests, chlorine free and from an ISO14001 accredited mill. This brochure is fully recyclable.