



INTELLIGENT MOTION



**MIRAGE 2016**  
THE SMALL CAR WITH BIG CREDENTIALS



“I have had many small cars, but none that compares to the Mirage 1.2. It’s a little gem to drive... Low on insurance, no road tax, very low on fuel costs. I have rated this car excellent because it deserves it.” MS, Glos.

## LOVED BY THOSE WHO LIVE WITH IT

The Mitsubishi Mirage Juro is the small car which has been built to impress real people living in the real world.

It looks good: newly styled and with smart alloys, privacy glass and everything colour keyed, it’s really rather cool.

It is nimble, lightweight and aerodynamic: made to hustle about the town where it can dive in and out of diminutive gaps, and slot straight into the smallest of parking spaces.

It is comfortable, capable and exceedingly well appointed; superbly equipped and supremely practical. It’s a no-nonsense type of car which puts safety, reliability, economy and low emissions high on its CV, and packs room to carry family and friends into the smallest possible footprint.

It is truly a car of our time: built for our time and for the people who need to rely on it daily.

## SMALL CAR WITH A BIG PEDIGREE

Over the years Mitsubishi has been quietly innovative in terms of automotive engineering: our Shoguns and Evolutions set the benchmark in four-wheel drive technology and we are recognised as bringing entirely new engine, drivetrain and transmission developments to the passenger car market.

We are known for finding clever ways to maximise space. We were the first manufacturer to introduce the layout now universally known as an MPV; we introduced the concept of tall cars with a small footprint; and a Mitsubishi was the very first double cab pick up truly suited to European roads, establishing a whole new niche market.

And now we're leading the way in reducing CO<sub>2</sub> emissions with a range of vehicles which can be truly lean and clean without need for compromise: the Outlander PHEV is more than just the world's first SUV plug-in hybrid electric vehicle, it's the first hybrid electric vehicle to offer a truly viable package and our sales reflect this.

The Mitsubishi Mirage Juro may be small, but it's intelligent motion from a master. It's raison d'être is as a car about town, so it's also equipped with a whole host of fuel-saving technologies: Auto Stop & Go, a high-efficiency alternator, low-friction tyres and the latest in CVT transmissions for those who prefer an automatic.

Mitsubishi has long been acknowledged  
to be the clever car company.

# INTELLIGENT MOTION





## THE STREETWISE CAR

Specifically designed to be economical and eco-friendly (a combined cycle fuel consumption of up to 65.7mpg and CO<sub>2</sub> emissions at 100g/km or less makes it exempt from road tax), with an eager 1.2-litre 3-cylinder engine the Mirage hustles along at a decent rate. Nothing extreme of course, but when pushed through its paces the acceleration leaves a good many much better known rivals in its dust, with a top speed to put well over a dozen of them to shame.

Excellent all round visibility, a very tight turning circle and electric power steering combine to make easy work of manoeuvring. The brakes are responsive and the Juro's suspension, whilst geared for comfort, has been adapted for a much, much better drive, so it steers and handles tidily.

Indeed, the sum of the package is a car which is both fun and frugal; for many owners it ticks every box.

“Economy is excellent; ...at best I've managed 68mpg with careful driving, and typically manage 60mpg.”

RS, Durham

**65.7MPG**  
AND CO<sub>2</sub> EMISSIONS AT 100G/KM OR LESS



**“There is a surprising amount of leg room in the back seats. The seats themselves are comfortable and I personally like the higher seating position when driving.”** JW, Aberdeenshire

## FIRST CLASS ACCOMMODATION

The greatest luxury in a small car is space, and at Mitsubishi we've always been good with space. In the Mirage, we continue the tradition; in fact it is a triumph of packaging, offering more total legroom than virtually all of its rivals. There's enough headroom from six-foot-plus passengers and the seats are comfortable and supportive: heated in the front and providing 60:40 split/fold flexibility in the rear.

Seats fold to provide a fully flat floor.





## YOUR HIGHEST EXPECTATIONS COME AS STANDARD

Inside the Mirage Juro is an altogether pleasant place to be: solidly screwed together with nice fabrics on the seats and plenty of chrome and gloss black accents. But it's the specification which really demands notice: this is a small car with all the kit you could desire. There's a DAB radio/CD with MP3 compatibility, four speakers and remote controls on the steering wheel, itself leather wrapped with a matching leather wrapped gear knob. There's Bluetooth with music streaming and a USB port, climate control air conditioning, keyless entry, and electrically operated door mirrors and windows all round, and all of it as standard.

# SAFETY FIRST AND FOREMOST

It doesn't matter whether you travel ten miles a week or ten times that number, safety is top of everyone's list of priorities; it's also a sphere in which the Mirage excels.

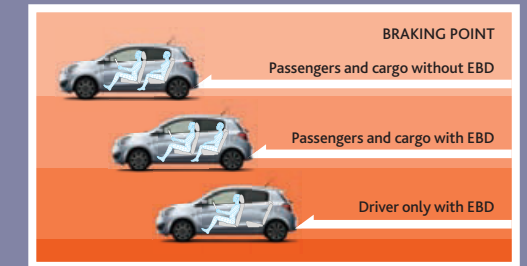
Active safety measures across the range include a body designed to see and be seen, with daytime running lights and clear visibility; a stability and traction control system to help prevent drift around bends and aid linear acceleration, and a particularly clever Anti-lock Braking System.

Should the unthinkable actually occur occupants are protected with front, side and curtain airbags, whilst a massively strong monocoque structure made from ultrahigh tensile steel absorbs and disperses crash energy from all directions. In fact, it's like sitting in a steel safety cage.

## SO MUCH MORE THAN ABS

The Mirage Juro's Anti-lock Braking System (ABS) includes some very clever features. Electronic Brakeforce Distribution (EBD) automatically adjusts the braking effort to individual wheels to accommodate the location of weight. The Brake Override System automatically prioritises the brakes over the accelerator if they are accidentally activated at the same time; Brake Assist provides power assistance to boost braking in an emergency situation, and an Emergency Stop Signal System automatically flashes the hazard warning lights at double speed to warn the vehicles around. And finally, no more battling with hill starts: Hill Start Assist holds the braking force for two seconds until the accelerator is applied.

## ABS + EBD



“I’ve owned this car for a year now and you get exactly what you pay for; good build, reliability, practicality.”

RS, Durham



“Personally, I think this is a great little car... It is easy to drive and a great little run around that allows me to park with ease in the smallest of spaces.” JB

## TRULY ONE OF LIFE'S LITTLE PLEASURES

The Mirage Juro offers economical motoring in an exceptional package, never skimping on the important things like safety or handling or comfort.

Of course it's a flyweight – that helps with economy, agility and braking ability; but it feels well made, easy to drive and comfortable, with a cushioning ride and the little touches normally associated with far, far more expensive cars: touches like cruise control, parking

sensors, light sensitive Bi-Xenon headlights and rain sensitive wipers. It offers space, low running costs, a phenomenal specification and the peace of mind which comes with the Mitsubishi name, a name synonymous with reliability.

In fact, this small, compact car truly is a heavyweight when it comes to meeting the needs of the modern motorist.



# MIRAGE JURO

1.2 MANUAL  
1.2 CVT AUTOMATIC



## KEY FEATURES

- ABS with EBD
- Mitsubishi Active Stability and Traction Control (M-ASTC)
- Dual front, side and curtain SRS airbags
- Auto Stop & Go (AS&G)
- Hill Start Assist (HSA)
- 15" alloy wheels
- Rear spoiler
- Bi-Xenon HID headlamps
- Front fog lamps
- Daytime running lights
- Privacy glass
- Electric front and rear windows
- Electric folding door mirrors with side indicators
- Keyless operation system with engine start/stop button
- Climate control air conditioning
- Rear parking sensors
- Auto-light control
- Rain sensor
- Cruise control
- Leather steering wheel and gearshift knob
- DAB radio/CD/MP3 player and 4 speakers
- Bluetooth® hands-free telephone connection and music streaming
- Steering wheel audio controls
- USB and AUX ports
- Heated front seats
- Cargo area under-floor storage compartment

Option: Black leather seat trim



## COLOUR OPTIONS AND SEAT TRIMS



RED METALLIC (M)



PURPLE BERRY (P)



COPPER BRONZE (M)



REEF BLUE (P)



ATLANTIC GREY (M)



POLAR WHITE (S)

| EXTERIOR COLOURS  |   | INTERIOR TRIM |                         |                 |
|-------------------|---|---------------|-------------------------|-----------------|
| Red Metallic (M)  | ■ | Seats         | Fabric (Black)          | Leather (Black) |
| Purple Berry (P)  | ■ | Headlining    | Non-woven Fabric (Grey) |                 |
| Copper Bronze (M) | ■ | Floor carpet  | Needle Punch (Grey)     |                 |
| Reef Blue (P)     | ■ |               |                         |                 |
| Atlantic Grey (M) | ■ |               |                         |                 |
| Polar White (S)   | ■ |               |                         |                 |
| Cosmos Black (M)  | ■ |               |                         |                 |

Colours and trims reproduced on these pages may vary from the actual colours due to the limitations of the printing process used.

■: Available M Metallic\* P: Pearlescent\* S: Solid  
\*Metallic/pearlescent paint finish available at additional cost.



COSMOS BLACK (M)

## TECHNICAL SPECIFICATIONS

|                   | MIRAGE JURO<br>1.2 Manual   | MIRAGE JURO<br>1.2 CVT Automatic |
|-------------------|---|----------------------------------|
| <b>ENGINE</b>     |   |                                  |
| Engine type       | 1.2-litre in-line 3-cylinder 12-valve DOHC MIVEC petrol engine with Auto Stop & Go (AS&G) |                                  |
| Fuel system       | Electronically controlled multi-point fuel injection (ECI-MULTI)                          |                                  |
| Displacement      | cc  | 1193                             |
| Bore/stroke       | mm  | 75.0 x 90.0                      |
| Compression ratio |   | 11.0                             |
| Max. output       | kw (bhp) at rpm   | 59 (79) / 6000                   |
| Max. torque       | Nm (lb.ft) at rpm   | 106 (78) / 4000                  |

| <b>PERFORMANCE/FUEL CONSUMPTION/EMISSIONS</b> |                  |            |            |
|---|------------------|------------|------------|
| Maximum speed                                 | mph (kph)        | 112 (180)  | 107 (173)  |
| Acceleration 0-62 mph                         | secs             | 11.7       | 12.8       |
| Fuel type                                     |                  | Unleaded   | Unleaded   |
| Fuel consumption*<br>lts/100km (mpg)          | Urban mode       | 5.1 (55.4) | 4.9 (57.6) |
|   | Extra urban mode | 3.9 (72.4) | 3.9 (72.4) |
|   | Combined mode    | 4.3 (65.7) | 4.3 (65.7) |
| CO <sub>2</sub> emissions                     | g/km             | 100        | 99         |
| Emissions compliance                          |                  | EU-6b      | EU-6b      |

| <b>SUSPENSION/STEERING</b> |        |   |   |
|----------------------------|--------|---|---|
| Suspension                 | Front  | MacPherson strut, coil springs with stabilizer bar  | MacPherson strut, coil springs with stabilizer bar  |
|                            | Rear   | Torsion beam with stabiliser bar  | Torsion beam with stabiliser bar  |
| Brakes                     | Front  | Anti-lock Braking System with Electronic Brakeforce Distribution (ABS + EBD) and Brake Assist (BA)<br>9" Ventilated discs | Anti-lock Braking System with Electronic Brakeforce Distribution (ABS + EBD) and Brake Assist (BA)<br>9" Ventilated discs |
|                            | Rear   | 7.1" Drums  | 7.1" Drums  |
| Steering                   |        | Rack and pinion with electronic power assistance  | Rack and pinion with electronic power assistance  |
| Min. turning circle        | m (ft) | 9.2 (30.2)  | 9.2 (30.2)  |
| Tyres                      |        | 175/55R15 77V   | 175/55R15 77V   |
| Wheels                     |        | 15 x 5.0J Alloy   | 15 x 5.0J Alloy   |

| <b>DRIVELINE/TRANSMISSION</b> |           |  |  |
|-------------------------------|-----------|--|--|
| Type                          |           | Front transverse engine/Front wheel drive with Mitsubishi Active Stability and Traction Control (M-ASTC) |  |
| Transmission                  | Manual    | 5-speed  | -  |
|                               | Automatic | -  | Continuously Variable Transmission (CVT) |
| Gear ratios                   | D range   | -  | 4.007 - 0.550                            |
|                               | 1st       | 3.545  | -  |
|                               | 2nd       | 1.913  | -  |
|                               | 3rd       | 1.310  | -  |
|                               | 4th       | 1.027  | -  |
|                               | 5th       | 0.850  | -  |
|                               | Reverse   | 3.214  | 3.771                                    |
| Final gear ratio              | 3.550     | 3.757  |  |

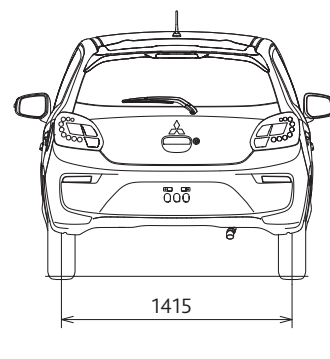
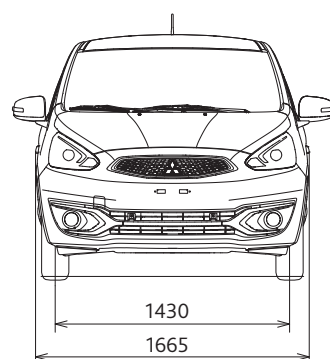
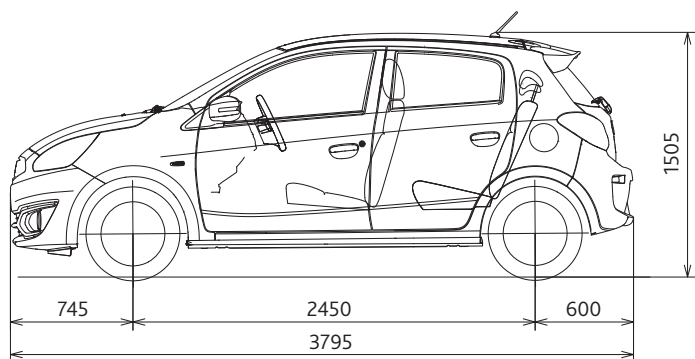
| <b>DIMENSIONS</b>                         |    |                    |                    |
|---|----|--------------------|--------------------|
| Exterior l x w x h                        | mm | 3795 x 1665 x 1505 | 3795 x 1665 x 1505 |
| Exterior width over extended door mirrors | mm | 2005               | 2005               |
| Ground clearance (unladen)                | mm | 150                | 150                |
| Track Front/Rear                          | mm | 1430/1415          | 1430/1415          |
| Wheelbase                                 | mm | 2450               | 2450               |

| <b>WEIGHTS/VOLUMES</b>      |                  |             |             |
|-----------------------------|------------------|-------------|-------------|
| Seating capacity            |                  | 5           | 5           |
| Cargo capacity min.<br>max. | lts VDA (cu.ft.) | 175 (6.17)  | 175 (6.17)  |
|                             | lts VDA (cu.ft.) | 540 (19.0)  | 540 (19.0)  |
| Fuel tank capacity          | lts (imp.galls)  | 35 (7.7)    | 35 (7.7)    |
| Gross vehicle weight        | kg (lbs)         | 1340 (2954) | 1370 (3020) |
| Kerb weight                 | kg (lbs)         | 845 (1863)  | 865 (1907)  |
| Roof loading capacity       | kg (lbs)         | 50 (110)    | 50 (110)    |

| <b>SERVICING/WARRANTY</b> |  |
|---------------------------|--|
| Service intervals         | Every 12,500 miles or 12 months, whichever occurs first  |
| Warranty                  | 5 year/62,500 mile warranty (first 24 months unlimited mileage, thereafter 36 months or 62,500 miles from date of registration, whichever occurs first), 12 year anti-corrosion perforation warranty, 3 year pan-European roadside, home and accident assistance |

\*The fuel consumption figures quoted are those produced under EU regulations for the purpose of comparing new cars. They should not be regarded as a representation of achievable fuel consumption, which in practice will vary with load, road conditions, driving style and other factors.

## DIMENSIONAL VIEWS



# STANDARD AND OPTIONAL EQUIPMENT

| SECURITY AND SAFETY FEATURES  | MIRAGE JURO<br>1.2 Manual | MIRAGE JURO<br>1.2 CVT Automatic |
|---|---------------------------|----------------------------------|
| <b>SECURITY</b>   |                           |                                  |
| Immobiliser, engine   | ■                         | ■                                |
| Keyless entry   | ■                         | ■                                |
| Locking wheel nuts  | ■                         | ■                                |
| Luggage cover   | ■                         | ■                                |
| Visible VIN   | ■                         | ■                                |
| <b>SAFETY</b>   |                           |                                  |
| ABS with EBD  | ■                         | ■                                |
| Airbag SRS, driver's and front passenger's                          | ■                         | ■                                |
| Airbag SRS, front seat side x 2                                     | ■                         | ■                                |
| Airbag SRS, curtain type, 1st and 2nd row                           | ■                         | ■                                |
| Airbag, front passenger deactivation switch                         | ■                         | ■                                |
| Brake Assist (BA)   | ■                         | ■                                |
| Child proof rear door locks   | ■                         | ■                                |
| Daytime running lights  | ■                         | ■                                |
| Emergency Stop Signal System (ESS)                                  | ■                         | ■                                |
| Fog lamp, rear  | ■                         | ■                                |
| High mount stop lamp  | ■                         | ■                                |
| Hill Start Assist (HSA)   | ■                         | ■                                |
| ISO-Fix child seat mountings  | ■                         | ■                                |
| Mitsubishi Active Stability and Traction Control (M-ASTC)           | ■                         | ■                                |
| Parking sensors, rear   | ■                         | ■                                |
| RISE (Reinforced Impact Safety Evolution) body safety system        | ■                         | ■                                |
| Seatbelts, 3-point ELR with pretensioners and force limiters, front | ■                         | ■                                |
| Seatbelts, 3-point ELR x 3, 2nd row                                 | ■                         | ■                                |
| Seatbelt fastening warning lamp                                     | ■                         | ■                                |
| Tether anchor x 2   | ■                         | ■                                |
| Tyre pressure monitoring system                                     | ■                         | ■                                |

## EXTERIOR FEATURES

| <b>STYLING</b>                                      |   |   |
|---|---|---|
| 15" alloy wheels                                    | ■ | ■ |
| Bumpers, front and rear, colour-keyed               | ■ | ■ |
| Door mirrors and handles, colour-keyed              | ■ | ■ |
| Door mirrors with side indicator lamps              | ■ | ■ |
| Front grille, black                                 | ■ | ■ |
| Metallic or pearlescent paint finish                | □ | □ |
| Privacy glass, rear side window and tailgate window | ■ | ■ |
| Rear spoiler, colour keyed                          | ■ | ■ |
| Side airdams, black                                 | ■ | ■ |

## FUNCTIONAL

|  |   |   |
|--|---|---|
| Central door locking including tailgate          | ■ | ■ |
| Door mirrors, electric with folding function     | ■ | ■ |
| Fog lamps, front                                 | ■ | ■ |
| Headlamps, automatic light sensor                | ■ | ■ |
| Headlamps, Bi-Xenon HID                          | ■ | ■ |
| Tyre inflation kit                               | ■ | ■ |
| Wipers, automatic rain sensor                    | ■ | ■ |
| Wipers, variable intermittent with washer, front | ■ | ■ |
| Wiper, intermittent with washer, rear            | ■ | ■ |
| Window demister, rear                            | ■ | ■ |

■ : Standard □ : Option at additional cost – : Not available

# STANDARD AND OPTIONAL EQUIPMENT

| INTERIOR FEATURES   | MIRAGE JURO<br>1.2 Manual | MIRAGE JURO<br>1.2 CVT Automatic |
|---|---------------------------|----------------------------------|
| <b>AUDIO/NAVIGATION/COMMUNICATIONS</b>                                |                           |                                  |
| Aerial, rear roof mounted   | ■                         | ■                                |
| Bluetooth® hands-free telephone connection with music streaming       | ■                         | ■                                |
| DAB radio/CD with MP3 compatibility and 4 speakers                    | ■                         | ■                                |
| USB and AUX ports   | ■                         | ■                                |
| <b>STYLING</b>  |                           |                                  |
| Air outlet trim, silver   | ■                         | ■                                |
| CVT shift panel, illuminated with gloss black finish                  | –                         | ■                                |
| Dashboard centre panel, gloss black finish                            | ■                         | ■                                |
| Electric window switch panels, gloss black finish                     | ■                         | ■                                |
| Gear knob, leather-wrapped, black                                     | ■                         | ■                                |
| Interior door handles, front, chrome                                  | ■                         | ■                                |
| Seat trim, fabric, black  | ■                         | ■                                |
| Seat trim, leather, black   | □                         | □                                |
| Steering wheel, leather-wrapped, black with gloss black lower garnish | ■                         | ■                                |

## CONVENIENCE

|  |   |   |
|--|---|---|
| Accessory socket, centre console                         | ■ | ■ |
| Air conditioning, climate control with pollen filter     | ■ | ■ |
| Convenience hook, front passenger's seat backrest        | ■ | ■ |
| Cruise control   | ■ | ■ |
| Dashboard tray, passenger side                           | ■ | ■ |
| Door pockets, front, with bottle holders                 | ■ | ■ |
| Floor console with cup holders, front x 2 and rear x 1   | ■ | ■ |
| Footrest, driver's                                       | ■ | ■ |
| Glove box  | ■ | ■ |
| Lights-on warning buzzer                                 | ■ | ■ |
| Retractable assist grips, driver's and front passenger's | ■ | ■ |
| Steering wheel audio controls                            | ■ | ■ |
| Sunvisors x 2 with vanity mirrors and ticket holders     | ■ | ■ |

## FUNCTIONAL

|  |   |   |
|--|---|---|
| Auto Stop & Go (AS&G)  | ■ | ■ |
| Cargo area under-floor storage compartment                                   | ■ | ■ |
| Centre multi-info display  | ■ | ■ |
| Eco drive assist indicator   | ■ | ■ |
| Electric windows, front with driver's one-touch open/close and anti-trapping | ■ | ■ |
| Electric windows, rear   | ■ | ■ |
| Engine start/stop button   | ■ | ■ |
| Exterior temperature display   | ■ | ■ |
| Gearshift timing indicator   | ■ | – |
| Keyless operation system   | ■ | ■ |
| Steering wheel, tilt adjustable  | ■ | ■ |
| Tachometer   | ■ | ■ |

## LIGHTING

|                         |   |   |
|-------------------------|---|---|
| Interior lamp, front    | ■ | ■ |
| Luggage/cargo area lamp | ■ | ■ |

## SEATS

|   |   |   |
|---|---|---|
| Front seat height adjustment, driver's        | ■ | ■ |
| Front seat heaters                            | ■ | ■ |
| Front seats, slide and recline adjustment     | ■ | ■ |
| Head restraints, height adjustable, front x 2 | ■ | ■ |
| Head restraints, height adjustable, rear x 3  | ■ | ■ |
| Rear seats, 60/40 split-folding backrests     | ■ | ■ |
| Seatbelts, height adjustable, front           | ■ | ■ |

■ : Standard □ : Option at additional cost – : Not available



## me & my MITSUBISHI

When you buy a new Mitsubishi, you not only get a safe and reliable vehicle that is a real pleasure to drive, you also become part of the Mitsubishi family. And as our nearest and dearest, we want you to feel protected should you ever encounter a problem – that's why we have **me&my**.

All new Mirages are provided with a comprehensive **five-year, 62,500-mile warranty** and **12-year anti-corrosion, perforation warranty**. Please ask your Authorised Mitsubishi Dealer for full details.

With the **Mitsubishi Assistance Package (MAP)** we go the extra mile. Our assistance programme is there to help should you breakdown at the roadside or at home. It provides vehicle recovery following a breakdown or accident and help if your vehicle is stolen or vandalised and, if you should accidentally fill up with the wrong fuel, don't worry – we'll be there for you then too. What's more, you're covered 24/7 in over 30 countries throughout Europe. So whether you're on the daily school run or cruising through the Alps on your holidays, it's comforting to know that if the unexpected does happen, help is always at hand.

And should you be unlucky enough to have an accident we have **Mitsubishi First** – our customer support service for all Mitsubishi drivers following an accident. No matter which insurer you use, Mitsubishi First smooths your progress through an insurance claim, handling everything on your behalf – no hassle, no claim forms, no running about, and absolutely no cost to you.

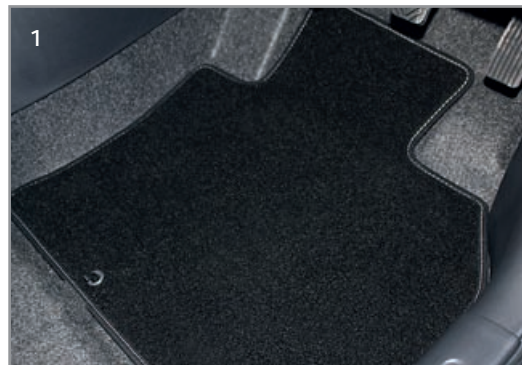
And once you're part of the family... it's service with a smile.

A **Mitsubishi Service Plan**, purchased at the same time as your Mirage, covers the first three scheduled services for a modest sum. It can be included in your vehicle's finance and transferred to a new owner when you sell.

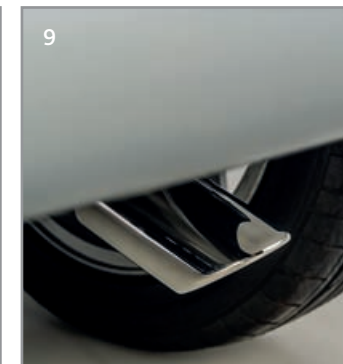
Mitsubishi Motors also offer superior **insurance cover** at a competitive price which is specifically designed for Mitsubishi vehicles and uses only genuine parts and approved repair centres.

# ACCESSORISE YOUR MIRAGE

Practical, frugal and fun, the Mitsubishi Mirage Juro is an exceptional vehicle for our time, and you can keep it looking exceptional with the special Protection Pack, comprising of a full mat set (front, rear and boot), mudflaps and entry guards for all four doors. Standard vehicle specifications are excellent, but there are always ways to personalise it and make it fit your particular needs more precisely. To that end there are a number of approved accessories, all of which benefit from a 3-year warranty if fitted at the time of purchase. So, before you make your final decision take a look at the Mirage accessories website at [www.mitsubishi-cars.co.uk/Mirage](http://www.mitsubishi-cars.co.uk/Mirage) and make sure that you make the most of your car.



1. Textile mat set – Classic (design differs slightly from that shown)
2. Textile mat set – Elegance (design differs slightly from that shown)
3. Front centre armrest, with rear cup/bottle holder
4. Footwell illumination, front (shown in non-UK specification vehicle)
5. Centre console illumination



6. Mirror cover set, chrome
7. Roof carrier
8. Luggage carrier, black coated steel
9. Exhaust finisher, chrome
10. Side window deflectors (set of 4)
11. Bike carrier, aluminium
12. Bike carrier, steel

The vehicle exterior colour shown is not available in the UK.



- 13. Luggage carrier, aluminium
- 14. Side protection mouldings (colour-keyed, set of 4)
- 15. Spare wheel kit
- 16. Safety kit
- 17. Rear bumper garnish
- 18. Tailgate garnish, chrome
- 19. Door entry guards, stainless steel (set of 4)

The vehicle exterior colour shown is not available in the UK.



#### MITSUBISHI MOTORS RECYCLING

We all have a duty to protect the environment. After a long working life we will take back any Mitsubishi Motors vehicle originally sold by The Colt Car Company Ltd. and recycle it in an environmentally friendly manner in accordance with the EU Directive on End-of-Life Vehicles and any applicable national statutory provisions.

All Mitsubishi Motors vehicles sold by The Colt Car Company Ltd., irrespective of date of sale, will be taken back free of charge from the last owner, at one of the designated take-back points, provided the vehicle contains all major components and is free of waste.

For further information please visit [www.cartakeback.com](http://www.cartakeback.com), email [info@cartakeback.com](mailto:info@cartakeback.com) or call the Cartakeback info-line on 0845 257 32 33.

The specification of the vehicles illustrated in this publication may not be applicable to the UK market, furthermore some vehicle illustrations may include accessory items which are not part of UK standard specification. However, every effort has been made to ensure that the written information was accurate, up-to-date and consistent with UK specification at the time of going to press. The right is reserved to change specification, features and prices without prior notice. To avoid any misunderstandings, your Mitsubishi Motors dealer will advise of any alterations made since the date of issue of this brochure. No part of this publication may be reproduced in any form or by any means, without the prior written permission of The Colt Car Company Limited.

Head Office: The Colt Car Company Ltd., Watermoor, Cirencester, Glos. GL7 1LF  
 Website: [www.mitsubishi-cars.co.uk](http://www.mitsubishi-cars.co.uk)



This brochure has been produced by an ISO14001 environmentally accredited printer where all processes are managed and materials recycled. The paper used to produce this brochure is from sustainable forests, chlorine free and from an ISO14001 accredited mill. This brochure is fully recyclable.