

# SHOGUN



INTELLIGENT MOTION





## LOVING THE JOB IT WAS BRED FOR

In 1982 Mitsubishi Motors Corporation launched a brand new breed of car: a 4x4 which was tough enough to go where others feared to tread, yet which enjoyed the sort of sophisticated specification more normally associated with top end saloons. More than thirty years later the Shogun is an icon. It's a long-time, long-term favourite of those who own and live with it, and who make real pack-horse/tow-truck/mud-plugging demands of their vehicle on a regular basis.

Of course the Shogun has changed considerably since the early days, but the principle has never varied: to this day it remains a dyed-in-the-wool, no-holds-barred, authentic off-roader, built

to outlast the opposition if not the owner. Indulgent yet supremely practical, it is superb value for money, unbeatable for loading, lugging and pulling heavy objects, and absolutely unstoppable in the wild. The technical superiority of its drivetrain, four-wheel independent suspension and stability and traction control systems have been honed in the extreme conditions of cross-country rallying, and its phenomenal reliability has been proven, beyond a shadow of a doubt, time and time again. Indeed, the Shogun is a vehicle genuinely beloved by its owners: no less than seventy percent of all new sales are repeat purchases, so maybe you should find out why.



#### MUCH LOVED BY REAL PEOPLE

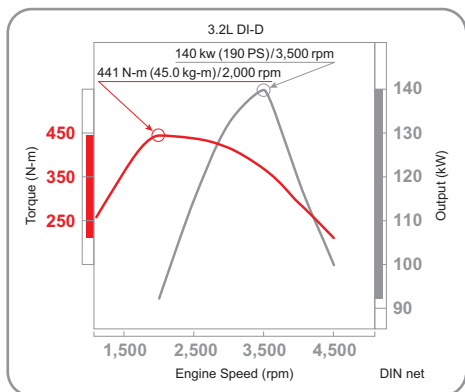
"The Mitsubishi Shogun is still my favourite... I just ordered another" Mr SJ; "This is a fabulous car... It's our everyday family car and feels indestructible" Mr JM; "I rate the Shogun as the best (from a long list of previous cars)... outstanding value, the build quality is excellent and I have confidence in its reliability" Mr TC; "the Shogun is an exceptionally brilliant and reliable car... It's strange but I feel so proud of my Mitsubishi, more so than any other car I've owned" Ms MR; "Fact is, the Shogun is simply brilliant, with literally nothing else remotely comparable at the prices" Mr GC



## HONEST, AUTHENTIC, AND LOADS OF FUN

This is the fourth generation of one of the world's favourite, most successful and most enduring 4x4s, and it is the strongest, quietest, safest and smartest Shogun ever built. Striking just the right balance between discarding what should be discarded and stubbornly refusing to change what should remain, it both introduced new technologies and built upon breakthroughs from previous models, revising and improving them to create the ultimate, classic 4x4. For example, the Shogun's highly acclaimed, smart-thinking, INVECS-II automatic transmission, standard on all models, emulates your own driving style with its gear changes and has remained unchanged, but years of

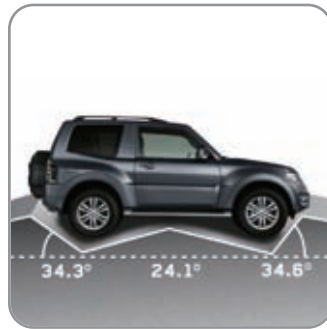
experience resulted in many refinements to its bodyshell: the Shogun was the very first authentic off-roader to utilise a monocoque body and this is now stronger and stiffer than ever before, with better front:rear weight distribution, a lower centre of gravity, wider tracks and an improved all-wheel independent suspension system. Indeed, year on year the Shogun just gets better: tweaked, fettled and refined a little more. Without ever losing sight of its role in life it now feels more solid, more stable, quite simply more comfortable on the road. So bring on those lumps, bumps and potholes, those ever-winding B-roads, in this Shogun you'll find that they're fun.



The Shogun's punchy, double overhead camshaft, 16-valve, turbocharged and intercooled, 3.2 litre, direct injection diesel engine has always provided masses of low-down torque yet never runs out of power in the mid-range. Granted it may never beat a hot hatch off the line, but put pedal to the metal and this Shogun will fly when asked, or cruise happily at high speeds on the motorway, and it will return surprisingly acceptable fuel consumption whilst doing so.



SHOGUN

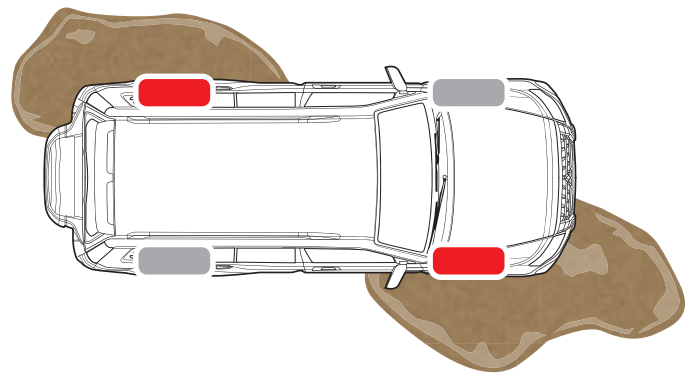


## EXTREME MACHINE

Extreme off-road conditions mean water so deep and angles so crazy you would think no car could cope. But the Shogun can, and loves it. Indeed, it's likely that your nerve will run out long before this Shogun says enough!

# IT'S A FULL-ON 4x4

The Shogun is, and always has been, a 4x4 specifically designed to climb, to tow and to carry heavy loads; to plough through snow and negotiate rocks, clamber slippery slopes, wade water and navigate deep, clinging mud. Of course, such mastery calls for some serious hardware so the Shogun's Super Select (SS4-II) drivetrain boasts not one, but three four-wheel drive modes. You can change from fuel-efficient two-wheel drive to 4H at speeds of up to 62 mph, ideal when road conditions deteriorate. When the going gets tougher simply lock the centre differential (4HLC) with power equally distributed between both axles, and for maximum off-road ability select 4LLC to virtually double effective engine braking in any gear. SS4-II works in conjunction with Mitsubishi's highly acclaimed Active Stability and Traction Control system, ensuring optimum grip in all conditions. Of course, the Shogun's 4x4 abilities aren't confined to wild terrain – for many years they have also made it one of the world's favourite towcars and, with maximum torque available at just 2000 rpm, the Long Wheel Base model can pull its 3.5 tonne maximum capacity around with ease; when it comes to towing, quite simply, no car can beat it.



### 2H (2WD HIGH RANGE)

Ideal for cities and motorway driving, the rear wheel drive mode gives a quiet ride with smooth on-road performance.



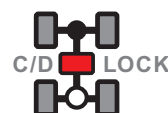
### 4HLC (4WD HIGH RANGE WITH LOCKED CENTRE DIFFERENTIAL)

By equally distributing power between front and rear wheels, this mode helps maintain traction on low-grip surfaces.



### 4H (4WD HIGH RANGE)

With 4WD engaged, front/rear torque split shifts from 33:67 up to 50:50 for added traction and safety, especially when driving in adverse weather conditions or when towing.



### 4LLC (4WD LOW RANGE WITH LOCKED CENTRE DIFFERENTIAL)

The lower gear ratio maximizes low-end power for climbing and enables controlled steep descents. It also helps you get out of sticky situations like deep mud, sand or snow.



## ROOM WITH A VIEW

Seated high above the traffic in the Shogun's seemingly giant-sized seats you feel comfortable, safe and slightly superior. But, despite the commanding view, the specially shaped side sill provides a moderate step-to-seat distance for easier access, whilst the monocoque body enables a lower floor and tailgate sill for easier loading. Furthermore, three decades' experience in 4x4 travel mean that the seats themselves are eminently suited to the task: for example, the driver's seating position is upright and slightly offset towards the door for optimum operation when driving at steep angles off-road, although height and lumbar adjusters in the heated, electrically operated, multi-way adjustable seats\* enable drivers to fine-tune their comfort.

\*Specifications vary by model – please refer to pages 28/29 for full details.



The Shogun's third row of seats folds away into the floor in seconds, or can be removed entirely leaving a flat loading base with a generous under-floor storage compartment. The headrests can be stored away under the seats for maximum room.



A genuine seven-seater, those in the third row enjoy a natural seating position and almost as much head and shoulder space as in the first two rows.



With the second row of seats tumbled and the third hidden the Shogun provides a cavernous cargo capacity, but the seats are so versatile that it will make a comfortable bed just as easily.



## COMFORT ZONE

Strong on the outside, soft within: superior comfort in a vehicle built to contend with the tougher side of life is fundamental to the Shogun philosophy. The materials used throughout are of soft-touch quality yet still tough enough to cope with this vehicle's eminently practical nature, after all it's designed to carry the spoils of a good day's shooting, a couple of wet dogs and several hundredweight of fodder one day, then haul the family off to ski in the Alps on the next.

Of course, everything is designed to make motoring more pleasurable wherever you go: the air conditioning is climate controlled, windows\* and door mirrors are electric, and you have cruise control, satellite navigation, a superb music system with remote audio controls, Bluetooth® connection, a reversing camera and leather upholstery as standard in most models. And since it's designed to stand the test for a very long time, this leather will look just as good in a decade or so.



\*Front only on SWB



### SMALL TALK

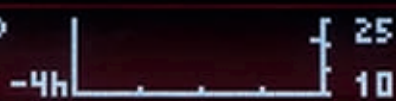
Attention to detail is a Mitsubishi hallmark and the Shogun is no exception. For example, the built-in Bluetooth® employs steering-wheel mounted buttons for safer operation, and voice recognition technology so that hands-free really does mean hands-free; and you'll never run out of space to store your contacts since a dual 'phone book function enables you to store the 'phone books from up to seven compatible handsets alongside 32 additional names which can be stored in the vehicle's own book. On Long Wheel Base models their own air-conditioning controls put rear seat passengers firmly in charge whilst daytime comfort is improved across the range by the use of solar control glass to reduce both ultra-violet and infra-red light ; low-level LED lighting illuminates both the front and second row footwells whenever the ignition is on and the driver's night vision is preserved with an auto-dimming rear view mirror.



PM 12:00

OUTSIDE TEMP 21°C

OUTSIDE TEMP



RESET

INFO



ADJ

PWR/VOL



AUDIO

SEEK TRACK

MODE

OPEN



Mitsubishi Multi Communication System

Link System

E-00

FOLDER

TUNE SOUND

MAP

ZOOM

\*/C

SETTINGS

INFO

NAVI MENU

ROCKFORD  
ACOUSTIC DESIGN

AUTO

25.0



MODE

OFF



REAR

# A SUPERIOR SOUND SYSTEM

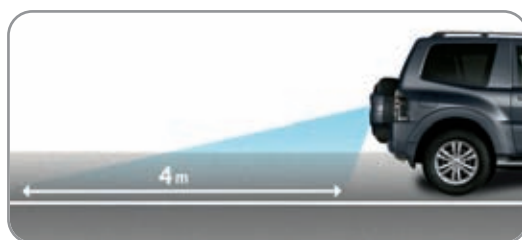
The Shogun's premium 860w audio system\* was specifically designed by Rockford Acoustic Design™ and includes a DAB radio (fitted to all models with satellite navigation), an AM/FM receiver and a CD player which is MP3 compatible. The home theatre sound system supports Dolby Pro Logic II, Dolby Digital and DTS Digital Sound Technologies for incomparable sound quality and a digital signal processor enables you to create the optimum acoustic characteristics to match your sound source and personal preference, all channelled through a 12-speaker system which includes four tweeters, three mid-range, four mid-base and a sub-woofer. Features also include speed-compensated volume, which automatically adjusts the sound level in accordance with vehicle speed, as well as a 'seat position selection' which enables you to tailor and aim the sound optimally according to the number of occupants.

\*SG3 models upwards

## SATELLITE NAVIGATION AND MORE

The Shogun showcases Mitsubishi's SD satellite navigation system. Capable of accepting an SD card of up to 32GB, this advanced system allows easy uploading of music files and navigation updates, and accepts full 7-digit postcodes for accurate destination targetting. Location searches

and route finding are ultra-fast and include up-to-date congestion and other relevant traffic information via the Traffic Message Channel. The 7-inch full-colour screen features improved resolution with Flash® animation and graphics which are easy to use and understand.



## REAR VIEW CAMERA

A boon to parking, the Shogun's rear view camera is automatically engaged upon selecting reverse gear and the results displayed on the central screen.

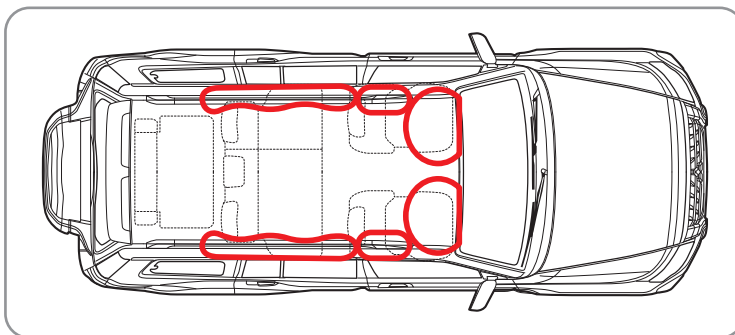


## DVD ENTERTAINMENT SYSTEM

The headrest mounted DVD entertainment system, standard on the SG4 model, includes two wireless headphones, an iPod® docking port and HD screens.

# SAFETY TO THE FORE

A Shogun doesn't simply appear tough and ultra-protective, it really is. That commanding seating position not only makes you feel safer, it actually gives you a clearer view of obstacles ahead. Combined with Mitsubishi's state-of-the-art stability and traction control system and superior brakes it gives you more chance to take effective evasive action. But if it does come to the crunch, the Shogun's hunky body doesn't just look imposing, it's designed to handle the impact of travelling over really rough terrain and hides a built-in frame which provides a particularly rigid structure, substantial reinforcement and strategically placed crumple zones to absorb impact energy and so keep occupants as safe as possible.



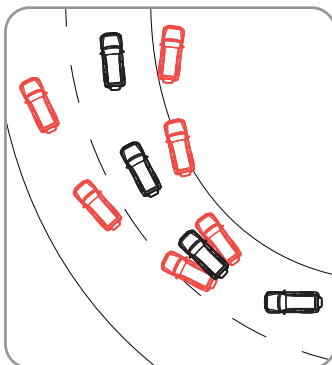
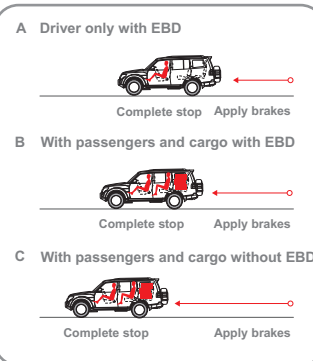
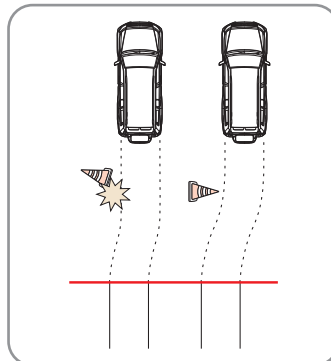
## AIRBAGS

Dual-stage front airbags, side and curtain\* airbags provide ultimate protection for driver and passengers in the event of a collision.

\*Not 4Work commercial models.

## MULTI-MODE ABS WITH EBD

The Shogun's Anti-lock Braking System fitted with Electronic Brake-force Distribution ensures even, efficient distribution of braking power to each wheel regardless of how many people are travelling inside and whatever the cargo load and road surface. This provides you with maximised braking power and driving stability.



## M-ASTC

The Mitsubishi Active Stability and Traction Control system regulates braking force to each wheel during cornering to ensure excellent stability. It also maintains optimum traction in all conditions, both on and off-road. M-ASTC prevents tyre spin on slippery surfaces and minimises the risk of drift caused by over-accelerating in corners.



HID xenon headlamps with automatic levelling and retractable washers, front fog lamps and LED daytime running lights provide a superior package. SG3 models upwards feature a clever automatic high beam dip.





SHOGUN



## LIVING WITH THE LEGEND

Whether you opt for the five-seater Short Wheel Base or the full seven-seater Long Wheel Base, the Shogun is a big vehicle with a big presence. Yet it is easy to drive thanks to light, crisp and responsive power-assisted rack and pinion steering, easy to stop thanks to a hydro-boost power brake system, and easy to park thanks to reversing sensors\*, a rear camera\* and an amazingly tight turning circle. Of course it's no lightweight city slicker which runs on fresh air, but it really does use far less fuel than you might expect for a vehicle of this size. Its servicing costs are surprising modest thanks to Mitsubishi's fixed price service plans, furthermore, it has an exceptional reputation for reliability and should be your faithful companion through fair weather and foul for many years to come. In fact, it's the perfect vehicle for people who really need a 4x4, so take the plunge, live with a Shogun for just a short while and you'll wonder how you ever lived without it.

\*Specifications vary by model – please refer to pages 28/29 for full details.



## INVEST IN A FUTURE CLASSIC

The Mitsubishi Shogun is a total one-off – there is simply nothing else quite like it. It is individual, commanding, and perhaps even slightly aloof; it transcends fashion, is as tough as nails and as sturdy as an oak, and, statistically, it's likely to be with you for a good many years, so maybe you should opt for the coolest Shogun you can – the Shogun SG5. Externally you'll find the differences to be subtle – some rather nice alloys and inserts on the side steps; but inside it's quite a different story – cool lighting, sumptuous leather and even some additional practical features, like heated seats to the rear as well as the front. Go on – your family will thank you.





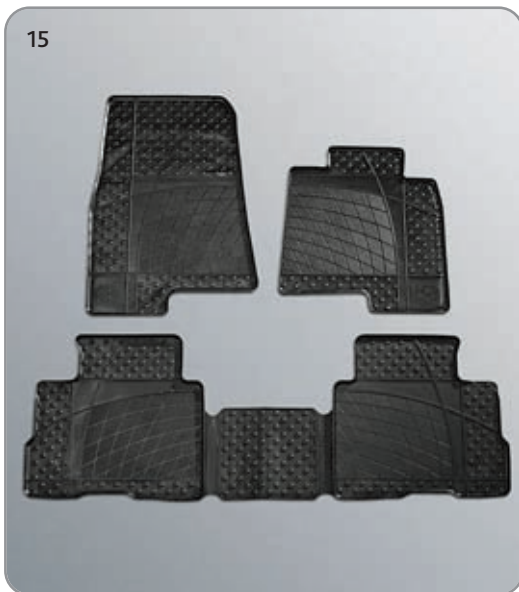
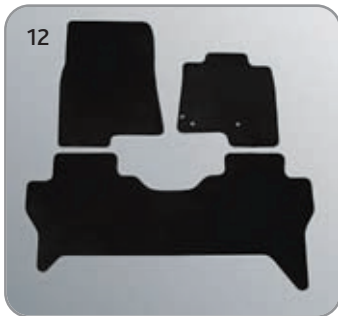
# ACCESSORY ADVANTAGES

The Shogun is an exceptional vehicle, and never more so than in this, its fourth generation. Strength, build-quality and reliability, always synonymous with the Shogun, are further enhanced; specification is even more luxurious. But there are always ways to personalise your Shogun to make it fit your needs precisely. Indeed, there are over 100 factory-designed accessories available, all of which benefit from a 3-year warranty if fitted at the time of purchase. Visit [www.mitsubishi-cars.co.uk/Shogun](http://www.mitsubishi-cars.co.uk/Shogun) for details of them all and make the very most of your Shogun.



1. Door handle covers, titanium finish
2. Door handle covers, chrome
3. Door handle recess covers
4. Rear spoiler (for SG2 – standard on all other models)
5. Spare wheel carrier top garnish, chrome (for LWB models)
6. Front bumper garnish, chrome
7. Door mirror covers, titanium finish
8. Door mirror covers, chrome
9. Side step inlay plates, stainless steel (standard on LWB SG5)





10. Towbar, detachable type  
(design differs from that shown)  
11. Towbar, fixed type  
12. Textile mat set, LWB  
13. Roof carrier  
14. Sports pedal kit (standard  
on SWB Barbarian)

15. Rubber mat set, LWB  
16. Boot mat  
17. Boot tray, low edges  
18. Headrest DVD & iPod® system  
(standard on LWB SG4 – other  
configurations available)  
19. Boot tray, high edges

## Short Wheel Base SG2 3-Door (Automatic)



### KEY FEATURES

- Mitsubishi Active Stability and Traction Control (M-ASTC)
- ABS with EBD
- Front/side/curtain SRS airbags
- 18" alloy wheels
- Roof rails
- Side steps
- HID headlamps with washers and auto-levelling
- Front fog lamps
- Daytime running lights
- Rain and dusk sensors
- Colour keyed door mirrors and handles
- Electric folding heated door mirrors
- Electric front windows
- Central locking
- Alarm and keyless entry
- Tonneau cover
- Climate control
- Cruise control
- Leather wrapped steering wheel
- Heated front seats
- Multi-info display
- FM/AM CD/tuner with MP3 and 6 speakers
- Bluetooth® hands-free telephone connection with music streaming
- USB port



## Short Wheel Base Warrior 3-Door (Automatic)



### KEY FEATURES

#### SPECIFICATION AS SG2 PLUS:

- Leather upholstery
- Powered driver's seat
- Privacy glass
- Chrome door mirrors and handles
- Rear spoiler
- Chrome headlamp surrounds
- Reversing camera
- SD card satellite navigation system with 7" touch-screen
- DAB radio



## Short Wheel Base Barbarian 3-Door (Automatic)



### KEY FEATURES

#### SPECIFICATION AS WARRIOR PLUS:

- Barbarian leather upholstery
- 20" black/silver alloy wheels
- Colour keyed full spare wheel cover
- Aluminium sports pedals



## Long Wheel Base SG2 5-Door (Automatic)



### KEY FEATURES

- Mitsubishi Active Stability and Traction Control (M-ASTC) • ABS with EBD
- Front/side/curtain SRS airbags • 18" alloy wheels • Roof rails • Side steps
- HID headlamps with washers and auto-levelling • Front fog lamps • Daytime running lights • Rain and dusk sensors • Rear air conditioning • Electric folding heated door mirrors • Electric windows • Central locking • Alarm and keyless entry • Tonneau cover • Climate control • Cruise control • Leather wrapped steering wheel • Heated front seats • Multi-info display • FM/AM CD/tuner with MP3 and 6 speakers • Bluetooth® hands-free telephone connection with music streaming • USB port



## Long Wheel Base SG3 5-Door (Automatic)



### KEY FEATURES

#### SPECIFICATION AS SG2 PLUS:

- Electric sunroof • Privacy glass • Rear spoiler • Reversing camera
- Rear parking sensors • Powered front seats • Leather upholstery
- Headlamp auto high beam control • 860W Rockford Acoustic Design™ premium audio system with 12 speakers • SD card satellite navigation system with 7" touch-screen • DAB radio



## Long Wheel Base SG4 5-Door (Automatic)



Granite Brown exterior colour only.

### KEY FEATURES

#### SPECIFICATION AS SG3 PLUS:

- 20" alloy wheels
- Rear headrest entertainment system

# Long Wheel Base SG5 5-Door (Automatic)



## KEY FEATURES

### SPECIFICATION AS SG4 PLUS:

- Premium 20" alloy wheels
- Premium leather upholstery (red, beige or dark grey)
- Premium floor mat set (including boot mat)
- Heated rear seats
- Twin rear USB ports
- LED mood lighting
- LED interior lamp package
- 'SHOGUN' bonnet badge
- Side step inlays, stainless steel
- Front door entry guards

LESS: Rear headrest entertainment system



SG5 DOOR ENTRY GUARDS



SG5 ALLOY WHEELS

# 4WORK Commercial

**SWB 3-Door SG2 4Work** (Automatic)



**SWB 3-Door Warrior 4Work** (Automatic)



**SWB 3-Door Barbarian 4Work** (Automatic)



**LWB 5-Door SG2 4Work** (Automatic)



## Working hard in the commercial world

If you need a van which you can rely on day-in, day-out, a van which can operate in all road and weather conditions and can carry a payload of up to 655 kg in addition to towing up to 3,500 kg then the Shogun 4Work is the ideal answer. Fully compliant with Revenue and Customs build regulations, the Shogun 4Work combines all the tax advantages of a light commercial vehicle – substantially reduced Benefit in Kind liabilities for employees as well the potential to reclaim VAT for registered companies – with all the considerable ride and drive advantages of a Shogun. Given the Shogun's principal attributes – indulgent yet practical, superb value for money, unbeatable for loading and towing and virtually unstoppable in any terrain – it will come as little surprise to know that the Shogun has been chosen by public utilities, the Highways Agency and over half of this country's police forces. The Shogun Short Wheel Base 4Work is available with automatic transmission and in SG2, Warrior and Barbarian specifications. The Shogun Long Wheel Base SG2 4Work is available with automatic transmission.



### SWB 3-DOOR/LWB 5-DOOR SG2 4WORK KEY FEATURES:

- Mitsubishi Active Stability and Traction Control (M-ASTC)
- ABS with EBD • Front/side SRS airbags • 18" alloy wheels
- Roof rails • Side steps • HID headlamps with washers and auto-levelling • Front fog lamps • Daytime running lights
- Rain and dusk sensors • Colour keyed door mirrors and handles
- Electric folding heated door mirrors • Electric front windows
- Central locking • Alarm and keyless entry • Climate control
- Cruise control • Leather wrapped steering wheel
- Heated front seats • Multi-info display • FM/AM CD/tuner with MP3 and 6 speakers • Bluetooth® hands-free telephone connection with music streaming • USB port

### SWB 3-DOOR WARRIOR 4WORK KEY FEATURES: SPECIFICATION AS SG2 4WORK PLUS:

- Leather upholstery • Powered driver's seat • Tailgate privacy glass • Chrome door mirrors and handles • Rear spoiler
- Chrome headlamp surrounds • Reversing camera • SD card satellite navigation system with 7" touch-screen • DAB radio

### SWB 3-DOOR BARBARIAN 4WORK KEY FEATURES: SPECIFICATION AS WARRIOR PLUS:

- Barbarian leather upholstery • 20" black/silver alloy wheels
- Colour keyed full spare wheel cover • Aluminium sports pedals

# Colour Options



COOL SILVER (M)



DIAMOND BLACK (P)



FROST WHITE (S)



EIGER GREY (M)



FAIRWAY GREEN (P)



GRANITE BROWN (M)



IMPERIAL RED (P)

## PREMIUM LEATHER TRIMS (SG5)



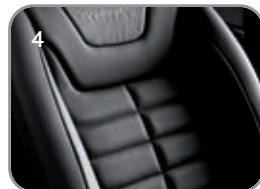
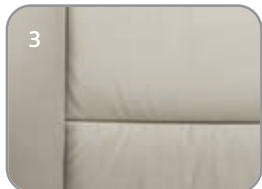
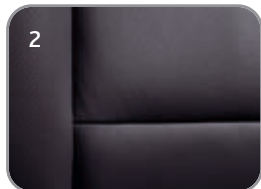
CLARET RED



PORCELAIN BEIGE



GUNMETAL GREY



- 1 Black Fabric (SG2)
- 2 Black Leather (Warrior/SG3/SG4)
- 3 Beige Leather (SG3/SG4)
- 4 Black Leather (Barbarian)

Model	SWB/LWB SG2	SWB Warrior/Barbarian	LWB SG3/SG4		LWS SG5
<b>Exterior colour</b>					
Cool Silver (M) A31	■	■	■	—	■
Diamond Black (P) X37	■	■	■	—	■
Frost White (S) W37	■	■	■	—	■
Fairway Green (P) F15	■	■	■	—	■
Imperial Red (P) P17	■	■	■	—	■
Eiger Grey (M) U19	■	■	■	—	■
Granite Brown (M) C06	—	—	—	■	■
<b>Seats</b>	Fabric (Black)	Leather (Black)	Leather (Black)	Leather (Beige)	Premium Leather (Red, Beige or Grey)
<b>Door trim</b>	Formed-type with Fabric Insert (Black)		Formed-type with Leather-look Insert (Black)	Formed-type with Leather-look Insert (Beige)	Formed-type with Leather Insert (Red, Beige or Grey)
<b>Headlining</b>	Non-woven Fabric (Beige)		Non-woven Fabric (Beige)	Non-woven Fabric (Beige)	Non-woven Fabric (Beige)
<b>Floor carpet</b>	Needle Punch (Black)		Needle Punch (Black)	Needle Punch (Black)	Needle Punch (Black)

■ : Available M: Metallic\* P: Pearlescent\* S: Solid \*Metallic/pearlescent paint finish available at additional cost.  
 Colours and trims reproduced on these pages may vary from the actual colours due to the limitations of the printing process used.

# TECHNICAL SPECIFICATIONS

Model		Shogun SWB Automatic	Shogun LWB Automatic
<b>Engine</b>			
Engine type		In-line 4-cylinder 16-valve DOHC diesel engine, turbocharger with intercooler	
Fuel system		Electronically controlled Common Rail Direct Injection Diesel (DI-DC)	
Emissions control system		Oxidation catalytic converter with closed flow Diesel Particulate Filter	Oxidation catalytic converter with closed flow Diesel Particulate Filter
Displacement	cc	3200	3200
Bore x stroke	mm	98.5 x 105.0	98.5 x 105.0
Compression ratio		16.0	16.0
Max. output	kw (bhp) at rpm	140 (187)/3500	140 (187)/3500
Max. torque	Nm (lb.ft) at rpm	441 (325)/2000	441 (325)/2000
<b>Performance/Fuel Consumption/Emissions</b>			
Maximum speed	mph (kph)	111 (180)	111 (180)
Acceleration 0-62 mph	secs	10.4	11.1
Fuel type		Diesel	Diesel
Fuel consumption	Urban	10.3 (27.4)	10.5 (26.9)
	Extra urban mode	8.3 (34.0)	8.6 (32.8)
	Combined mode	9.0 (31.4)	9.3 (30.4)
CO <sub>2</sub> emissions	g/km	238	245
Emissions compliance		EU-6b	EU-6b
<b>Suspension/Steering</b>			
Front axle		Independent double wishbone, coil springs, telescopic shock absorbers, stabiliser bar	
Rear axle		Independent multi-link, coil springs, telescopic shock absorbers, stabiliser bar	
Brakes		Multi-mode Anti-lock Braking System with Electronic Brakeforce Distribution	
	Front	290mm (11.4") ventilated disc (2-pot)	332mm (13.1") ventilated disc (4-pot)
	Rear	300mm (11.8") ventilated disc	332mm (13.1") ventilated disc
Steering		Rack and pinion, power-assisted	
Min. turning circle	m (ft)	10.6 (34.8)	11.4 (37.4)
Wheels/Tyres		18" x 7.5JJ alloy / 265/60R18 110H (SWB Barbarian/LWB SG4 & SG5: 20" x 8.5JJ alloy / 265/50R20 111W)	
<b>Driveline/Transmission</b>			
Type		Super Select (SS4-II) 4WD system with electronic transfer shift and Mitsubishi Active Stability & Traction Control System	
Clutch		Torque converter	Torque converter
Transmission		5-speed INVECS-II with Sports Mode	5-speed INVECS-II with Sports Mode
Gear ratios	1st	3.520	3.520
	2nd	2.042	2.042
	3rd	1.400	1.400
	4th	1.000	1.000
	5th	0.716	0.716
	Reverse	3.224	3.224
Transfer gear ratio	High	1.000	1.000
	Low	1.900	1.900
Final gear ratio		3.692	3.692
<b>Dimensions</b>			
Cargo room l x w x h	mm	840 x 1395 x 1105	1430 x 1395 x 1110
Cargo capacity max.	lbs VDA (cu.ft.)	1120 (39.5)	1790 (63.2)
Exterior l x w x h	mm	4385 x 1875 x 1870	4900 x 1875 x 1890
Exterior width over extended door mirrors	mm	1905	1905
Ground clearance (unladen)	mm	210	210
Track Front	mm	1560	1570
Rear	mm	1560	1570
Wheelbase	mm	2545	2780
Approach angle	degrees	34.6	34.5
Departure angle	degrees	34.3	24.5
Ramp breakover	degrees	24.1	22.2
Wading depth	mm	700	700
<b>Weights/Volumes</b>			
Seating capacity		5	7
Fuel tank capacity	lbs (imp.galls)	69 (15.1)	88 (19.3)
Gross vehicle weight	kg (lbs)	2665 (5875)	3030 (6680)
Kerb weight	kg (lbs)	2185 (4817)	2375 (5235)
Towing capacity Braked	kg (lbs)	3000 (6613)	3500 (7716)
Unbraked	kg (lbs)	750 (1653)	750 (1653)
Trailer nose weight	kg (lbs)	140 (308)	140 (308)
Roof loading capacity	kg (lbs)	100 (220)	100 (220)
<b>Servicing/Warranty</b>			
Service intervals		Every 12,500 miles or 12 months, whichever occurs first	Every 12,500 miles or 12 months, whichever occurs first
Warranty		5 year/62,500 mile warranty (first 24 months unlimited mileage, thereafter 36 months or 62,500 miles from date of registration, whichever occurs first), 12 year anti-corrosion perforation warranty, 3 year pan-European roadside, home and accident assistance	

The fuel consumption figures quoted are those produced under Government regulations for the purpose of comparing new cars.

They should not be regarded as a representation of achievable fuel consumption, which in practice will vary with load, road conditions, driving style and other factors.

# STANDARD AND OPTIONAL EQUIPMENT

Model	Shogun SWB/LWB SG2	Shogun SWB Warrior	Shogun SWB Barbarian	Shogun LWB SG3	Shogun LWB SG4	Shogun LWB SG5
<b>Security and Safety Features</b>						
<b>Security</b>						
Engine immobiliser and alarm system	■	■	■	■	■	■
Locking wheel nuts	■	■	■	■	■	■
Luggage cover, rigid type	SWB	■	■	-	-	-
Luggage cover, retractable	LWB	-	-	■	■	■
Visible VIN	■	■	■	■	■	■
<b>Safety</b>						
ABS with EBD	■	■	■	■	■	■
Airbags SRS, front, front side and curtain	■	■	■	■	■	■
Airbag SRS, front passenger's deactivation switch	■	■	■	■	■	■
Brake override system	■	■	■	■	■	■
Child proof rear door locks	LWB	-	-	■	■	■
Daytime running lights, LED type	■	■	■	■	■	■
Electric windows with anti-trapping function	■	■	■	■	■	■
ISOFix child seat mountings, 2nd row	■	■	■	■	■	■
Mitsubishi Active Stability & Traction Control (M-ASTC) with Brake Assist	■	■	■	■	■	■
Rear parking sensors	DFO	DFO	DFO	■	■	■
Rear view mirror, auto-dimming	■	■	■	■	■	■
Reversing camera	-	■	■	■	■	■
Seatbelts, 3-point ELR, all seats	■	■	■	■	■	■
Tyre pressure monitoring system	■	■	■	■	■	■
<b>Exterior features</b>						
<b>Styling</b>						
18" alloy wheels (5)	■	■	-	■	-	-
20" alloy wheels (4) – black/silver	DFO	DFO	■	DFO	DFO	DFO
20" alloy wheels (4) – silver	DFO	DFO	DFO	DFO	■	■
Bonnet badge	-	-	-	-	-	■
Bumper, front, colour keyed with chrome/silver centre frame	■	■	■	■	■	■
Bumper, rear, colour-keyed with silver under panel	■	■	■	■	■	■
Door entry guards, front	-	-	-	-	-	■
Door mirrors and handles, colour-keyed	■	-	-	■	■	■
Door mirrors, handles and headlamp surrounds, chrome finish	DFO	■	■	DFO	DFO	DFO
Front grille, black with chrome trim	■	■	■	■	■	■
Metallic or pearlescent paint finish	□	□	□	□	□	□
Privacy glass, rear side windows and tailgate window	□	■	■	■	■	■
Roof rails, black	■	■	■	■	■	■
Roof spoiler, colour keyed	DFO	■	■	■	■	■
Side steps, silver with black treads	■	■	■	■	■	-
Side steps, silver with black treads and stainless steel inlays	-	-	-	-	-	■
Spare wheel, alloy, central tailgate-mounted	■	■	■	■	■	■
Spare wheel, 18", temporary use	-	-	■	-	■	■
Spare wheel carrier, colour-keyed	SWB	■	■	-	-	-
Spare wheel carrier, colour-keyed with full-width black centre garnish	LWB	-	-	■	■	■
Spare wheel full cover, colour-keyed	-	-	■	-	-	-
Wheelarch and lower door mouldings, colour-keyed	■	■	■	■	■	■
Windscreen shade band	■	■	■	■	■	■
<b>Functional</b>						
Automatic lights on/off	■	■	■	■	■	■
Central door locking including tailgate, keyless entry	■	■	■	■	■	■
Door mirrors, electric/heated with folding function	■	■	■	■	■	■
Door mirrors with side indicators and approach lamps	■	■	■	■	■	■
Fog lamps, reflector type, front	■	■	■	■	■	■
Headlamps, automatic high beam	-	-	-	■	■	■
HID headlamps with auto-levelling and washers	■	■	■	■	■	■
Rear quarter windows, 'butterfly' type	■	■	■	■	■	■
Wipers, with automatic rain sensor, front	■	■	■	■	■	■
Wipers, variable intermittent with washer, front	■	■	■	■	■	■
Wiper, intermittent with washer, rear	■	■	■	■	■	■
<b>Interior features</b>						
<b>Audio/Navigation/Communications</b>						
Aerial, element type, in window	■	■	■	■	■	■
Bluetooth® hands-free telephone connection with music streaming	■	■	■	■	■	■
DAB radio	-	■	■	■	■	■
Input port, AUX	■	■	■	-	-	-
Input port, USB, front	■	■	■	■	■	■
Input port, USB, twin rear	-	-	-	-	-	■
Premium 860W Rockford audio system with 12 speakers	-	-	-	■	■	■
Radio/CD/MP3 player with 6 speakers	■	■	■	-	-	-
Rear seat DVD/USB/micro-SD/iPod® entertainment system with HD screens and 50 games	-	-	-	-	■	-
SD card navigation system/CD/tuner with touch-screen and iPod® direct control	-	■	■	■	■	■

■ : Standard □ : Option at additional cost - : Not available DFO : Dealer Fit Option at additional cost

# STANDARD AND OPTIONAL EQUIPMENT

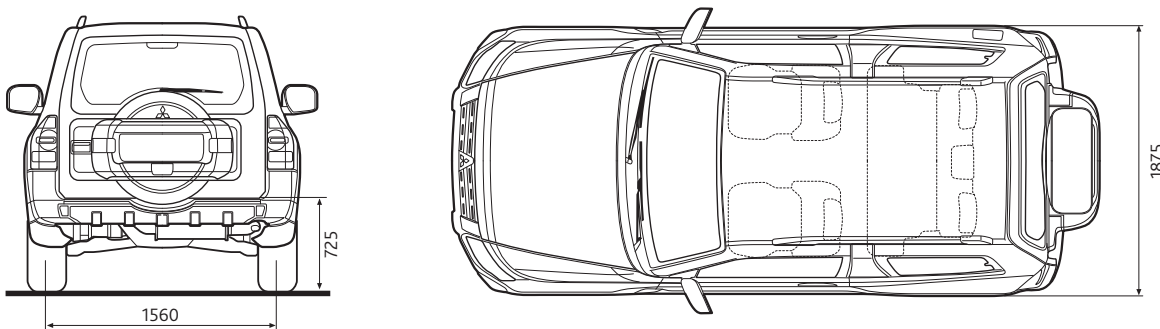
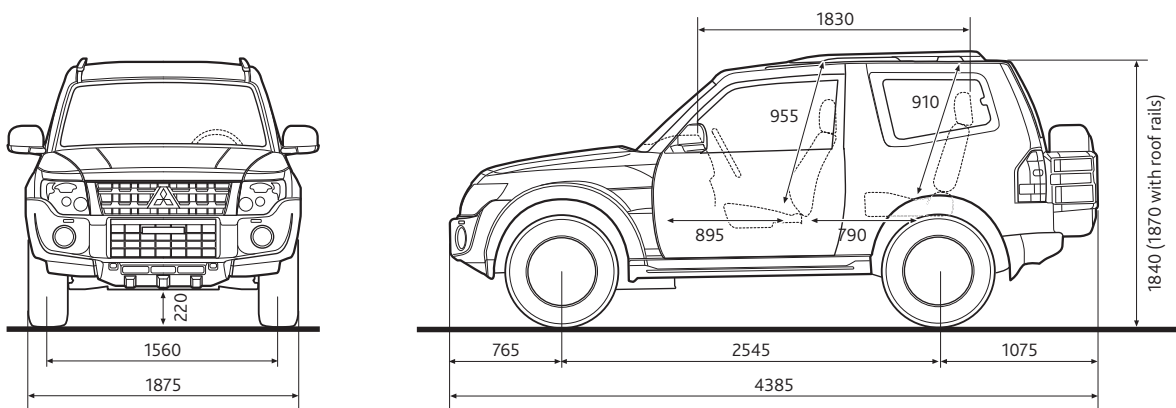
Model	Shogun SWB/LWB SG2	Shogun SWB Warrior	Shogun SWB Barbarian	Shogun LWB SG3	Shogun LWB SG4	Shogun LWB SG5
<b>Interior features</b>						
<b>Styling</b>						
Door inner handles, chrome	■	■	■	■	■	■
Electric window switch panels and centre air vents, silver	■	■	■	■	■	■
Floor mat set (including boot mat), black with edging colour-keyed to leather	-	-	-	-	-	■
Gear/transfer shift knobs and handbrake lever, leather-wrapped	■	■	■	■	■	■
Interior trim panels, metallic with aluminium print finish (not Granite Brown exterior colour)	■	■	■	■	■	■
Interior trim panels, metallic with wood grain print finish (Granite Brown exterior colour only)	-	-	-	■	■	■
Pedals, sports type, aluminium	DFO	DFO	■	DFO	DFO	DFO
Seat trim, fabric	■	-	-	-	-	-
Seat trim, leather	-	■	-	■	■	-
Seat trim, premium black leather with Barbarian logo	-	-	■	-	-	-
Seat trim, door inlays and front centre armrest, premium leather (red, beige or dark grey)	-	-	-	-	-	■
Steering wheel, 4-spoke, leather-wrapped with remote audio and cruise control	■	■	■	■	■	■
<b>Convenience</b>						
Access support grips, front	■	■	■	■	■	■
Access support grips, rear	LWB	-	-	■	■	■
Air conditioning, climate control	■	■	■	■	■	■
Cabin air filter, anti-odour	■	■	■	■	■	■
Cruise control	■	■	■	■	■	■
Cargo room underfloor compartment	■	■	■	■	■	■
Floor console box with slide-adjustable centre armrest and storage boxes	■	■	■	■	■	■
Front seat backrest pockets	■	■	■	■	■	■
Glove box, lockable and illuminated	■	■	■	■	■	■
Illuminated ignition keyhole with time delay	■	■	■	■	■	■
Retractable assist grip x 4	SWB	■	■	-	-	-
Retractable assist grip x 6	LWB	-	-	■	■	■
Rear seat overhead ventilation outlets	LWB	-	-	■	■	■
Rear air conditioning with separate control panel	LWB	-	-	■	■	■
Storage box in tailgate trim	■	■	■	■	■	■
Sunglasses pocket, overhead type	■	■	■	-	-	-
Sunvisors, driver's & passenger's, extendable with illuminated vanity mirrors	■	■	■	■	■	■
<b>Functional</b>						
Accessory socket x 3	■	■	■	■	■	■
Door mirrors, electric heated with folding function	■	■	■	■	■	■
Electric sunroof, glass tilt/slide	-	-	-	■	■	■
Electric windows with driver's one-touch open/close, front	■	■	■	■	■	■
Electric windows with driver's one-touch open/close, rear	LWB	-	-	■	■	■
Headlamp levelling, automatic control	■	■	■	■	■	■
Mitsubishi Multi Communication System with touch screen display	-	■	■	■	■	■
Multi-info display	■	■	■	■	■	■
Steering wheel, tilt adjustable	■	■	■	■	■	■
Tailgate strut, oil damper type	■	■	■	■	■	■
<b>Lighting</b>						
Door courtesy lamps, front	■	■	■	■	■	■
Door courtesy lamps, rear	LWB	-	-	■	■	■
Interior lamp with map lamps, front	■	■	■	■	■	■
LED down-light, centre console	■	■	■	■	■	■
LED footwell lamps, front and second row seats	■	■	■	■	■	-
LED mood lighting and interior lamp package	-	-	-	-	-	■
Luggage/cargo area lamp	■	■	■	■	■	■
Personal lamps, 2nd row	■	■	■	■	■	■
<b>Seats</b>						
Armrest, front – centre with sliding adjustment	■	■	■	■	■	■
Armrest, 2nd row – centre with built-in cup holders	LWB	-	-	■	■	■
Armrests, 2nd row – side with built-in cup holders	SWB	■	■	-	-	-
Head restraints, front – height adjustable x 2	■	■	■	■	■	■
Head restraints, 2nd row – height adjustable x 3	■	■	■	■	■	■
Head restraints, 3rd row – detachable x 2	LWB	-	-	■	■	■
Seats, front – driver's height adjuster	■	■	■	■	■	■
Seats, front – driver's lumbar adjuster	-	-	-	■	■	■
Seats, front – heated x 2	■	■	■	■	■	■
Seats, rear – heated x 2	-	-	-	-	-	■
Seats, front – driver's 5-way power seat	-	■	■	-	-	-
Seats, front – driver's 5-way and passenger's 4-way power seats	-	-	-	■	■	■
Seats, front – fully flat folding	■	■	■	■	■	■
Seats, front – seatbelt height adjustment	■	■	■	■	■	■
Seats, front – passenger's side 'walk-in' system	SWB	■	■	-	-	-
Seats, 2nd row – 60/40 split/folding, tip-up	■	■	■	■	■	■
Seats, 2nd row – reclining, fully flat folding	■	■	■	■	■	■
Seats, 3rd row – reclining, fold-away/removable bench type	LWB	-	-	■	■	■

■ : Standard □ : Option at additional cost - : Not available DFO : Dealer Fit Option at additional cost LWB : Long Wheel Base SWB : Short Wheel Base

# DIMENSIONAL VIEWS

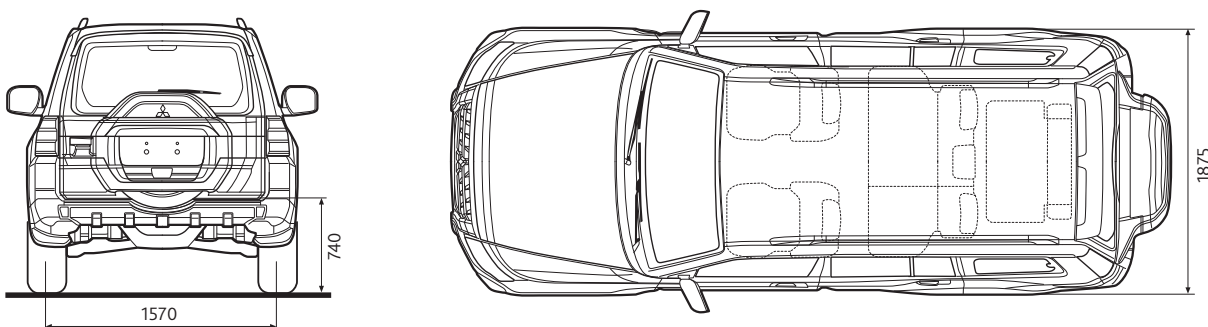
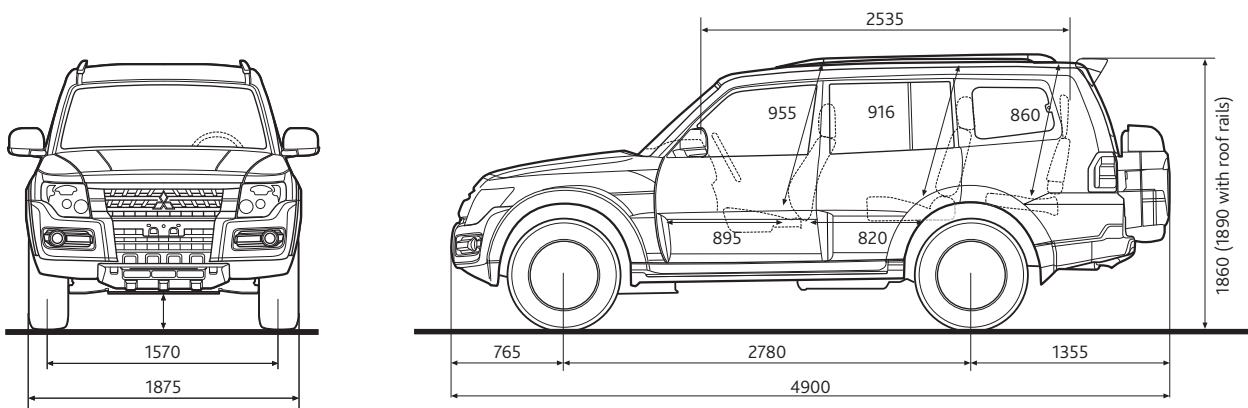
## Short Wheel Base 3-Door

All measurements in millimetres.



## Long Wheel Base 5-Door

All measurements in millimetres.



## me & my MITSUBISHI

When you buy a new Mitsubishi, you not only get a safe and reliable vehicle that is a real pleasure to drive, you also become part of the Mitsubishi family. And as our nearest and dearest, we want you to feel protected should you ever encounter a problem – that's why we have **me&my**.

All new Shoguns are provided with a comprehensive **five-year, 62,500-mile warranty**. Please ask your Authorised Mitsubishi Dealer for full details.

With the **Mitsubishi Assistance Package (MAP)** we go the extra mile. Our assistance programme is there to help should you breakdown at the roadside or at home. It provides vehicle recovery following a breakdown or accident and help if your vehicle is stolen or vandalised and, if you should accidentally fill up with the wrong fuel, don't worry – we'll be there for you then too. What's more, you're covered 24/7 in over 30 countries throughout Europe. So whether you're on the daily school run or cruising through the Alps on your holidays, it's comforting to know that if the unexpected does happen, help is always at hand.

And should you be unlucky enough to have an accident we have **Mitsubishi First** – our customer support service for all Mitsubishi drivers following an accident. No matter which insurer you use, Mitsubishi First smooths your progress through an insurance claim, handling everything on your behalf – no hassle, no claim forms, no running about, and absolutely no cost to you.

**And once you're part of the family... it's service with a smile.**

A **Mitsubishi Service Plan**, purchased at the same time as your Shogun, covers the first three scheduled services for a modest sum. It can be included in your vehicle's finance and transferred to a new owner when you sell.

Mitsubishi Motors also offer superior **insurance cover** at a competitive price which is specifically designed for Mitsubishi vehicles and uses only genuine parts and approved repair centres.



Spare wheel carrier for LWB 5-Door models.

## MITSUBISHI MOTORS RECYCLING

We all have a duty to protect the environment. After a long working life we will take back any Mitsubishi Motors vehicle originally sold by The Colt Car Company Ltd. and recycle it in an environmentally friendly manner in accordance with the EU Directive on End-of-Life Vehicles and any applicable national statutory provisions.

All Mitsubishi Motors vehicles sold by The Colt Car Company Ltd., irrespective of date of sale, will be taken back free of charge from the last owner, at one of the designated take-back points, provided the vehicle contains all major components and is free of waste.

For further information please visit [www.cartakeback.com](http://www.cartakeback.com), email [info@cartakeback.com](mailto:info@cartakeback.com) or call the Cartakeback info-line on 0845 257 32 33.

The specification of the vehicles illustrated in this publication may not be applicable to the UK market, furthermore some vehicle illustrations may include accessory items which are not part of UK standard specification. However, every effort has been made to ensure that the written information was accurate, up-to-date and consistent with UK specification at the time of going to press. The right is reserved to change specification, features and prices without prior notice. To avoid any misunderstandings, your Mitsubishi Motors dealer will advise of any alterations made since the date of issue of this brochure. No part of this publication may be reproduced in any form or by any means, without the prior written permission of The Colt Car Company Limited.

Head Office: The Colt Car Company Ltd., Watermoor, Cirencester, Glos. GL7 1LF  
Website: [www.mitsubishi-cars.co.uk](http://www.mitsubishi-cars.co.uk)



MitsubishiUK



MitsubishiUK



MitsubishiTV

This brochure has been produced by an ISO14001 environmentally accredited printer where all processes are managed and materials recycled. The paper used to produce this brochure is from sustainable forests, chlorine free and from an ISO14001 accredited mill. This brochure is fully recyclable.