

June 2014



Das Auto.

Caddy passenger carriers



MAKE LIFE EASIER.

The **Caddy passenger range** combines quality, space, flexibility, safety and economy in a stylish package that's ideal for families and commercial customers alike. Made from hard-wearing materials, every model in the Caddy passenger range is designed to cope with the rigours of life – whether it's a family holiday or the regular school run.

Offering unparalleled flexibility through a variety of seating configurations that can be both folded or removed, the Caddy combines the ability to seat up to seven (including the driver), with the ability to transport heavy or bulky items. And with a well thought-out interior, featuring numerous storage pockets, drawers, nets and trays, there's a place for everything you'll need to bring along. Whichever model you choose, the Caddy is the perfect companion on any journey.



- 04 Safety systems
- 06 Engines and gearboxes
- 08 BlueMotion Technology
- 10 Cab comfort and seating
- 12 Caddy Maxi window van
- 14 Caddy Life and Caddy Maxi Life
- 16 Standard equipment
- 18 Paint and upholstery
- 20 Alloy wheels
- 21 Audio and communications
- 22 Engines and gearbox data
- 23 Economy and performance
- 24 Dimensions
- 25 Weights
- 26 Service and warranties

YOUR SAFETY IS OUR PRIORITY.

Your safety is a vital factor, so we ensure that a long list of safety and security features are built-in to every vehicle we produce. Almost every part of the vehicle's design contributes to safety. Occupants are securely enclosed within a rigid safety cell with crumple zones to absorb crash energy, while the chassis and suspension are designed for excellent directional stability and handling. Features such as Anti-lock Braking System (ABS), Electronic Brakeforce Distribution (EBD/EBV), Electronic Stabilisation Programme (ESP) and driver and passenger front airbags are fitted as standard, while side and curtain airbags are fitted as standard on all Caddy Life models and available as an option on the Caddy Maxi window van.

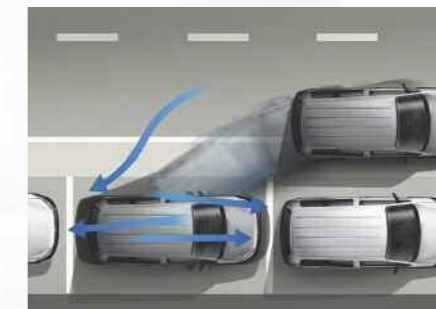
For extra security and protection, Caddy Life models feature an anti-theft alarm system, while the Caddy Maxi window van receives an immobiliser as standard. All Caddy passenger models incorporate ISOFIX child seat mounting points as standard. Optional features such as parking sensors, reversing cameras, Bi-xenon headlights, Hill Hold Assist and cornering lights all offer additional peace-of-mind.



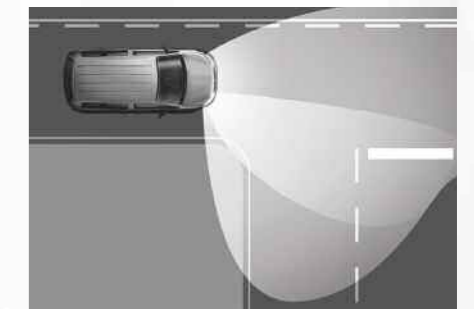
- 01** When the vehicle weight is transferred to the front wheels during braking, the **Electronic Brakeforce Distribution (EBD/EBV)** prevents lockup of the rear wheels, which are under less load. This helps your vehicle brake safely in a straight line.
- 02** The **seatbelt warning** reminds the driver that their seatbelt is not fastened. An audiovisual signal is used to request that the seatbelt is fastened before you start driving.
- 03** The **Electronic Stabilisation Programme (ESP)** prevents the vehicle from swerving in critical driving conditions by controlled and targeted intervention in the brake and engine management. Thus, the vehicle achieves maximum directional stability.
- 04** The **tyre pressure monitoring** display activates a warning signal to highlight significant changes in tyre pressure. This lets the driver know that the tyre pressure should be checked as soon as possible.
- 05** The **Anti-lock Braking System (ABS)** prevents wheels from locking up and therefore significantly improves the manoeuvrability of the vehicle under heavy braking.
- 06** The **Brake Assist** system recognises the speed at which the brake pedal is actuated. In the case of reflex or emergency braking, the system applies full brake pressure more rapidly to achieve the shortest possible stopping distance.



A driver and front passenger **airbag** (with front passenger deactivation switch) is fitted as standard to all Caddy passenger carriers. While side and curtain airbags are standard on all Caddy Life models, and available as an option for the Caddy Maxi window van.



With **Parallel Park Assist with distance control**¹ your van almost parks itself. Using ultrasonic sensors, it cleverly steers into the tightest of spaces at the touch of a button. Even though you don't have to steer, you're always in control, working the accelerator, brake and clutch.



Cornering lights¹, integrated into the front fog lights, help to illuminate curves and bends in the road ahead. This allows you to anticipate possible risks sooner, helping you to arrive at your destination safely.

¹ Parallel Park Assist with distance control and cornering lights are available as optional extras and may require other options to be specified.

SMOOTH PROGRESS.

Our renowned TDI engines have long been setting the standards in diesel technology – and with rising fuel costs, we've also been working hard to lower fuel consumption, while reducing CO₂ emissions. The Caddy passenger range reflects this with a choice of two economical common-rail diesel engines, both complying with Euro 5 emission limits and equipped with diesel particulate filters as standard.

Take the powerful 2.0 litre 140PS TDI for example. With 320Nm maximum torque, it transports your passengers and their luggage with ease, yet still offers excellent economy and low running costs. And when you mate the 140PS TDI to a choice of 6-speed manual or 6-speed dual clutch direct shift gearbox (DSG), or the 1.6 litre 102PS TDI to a choice of 5-speed manual or 7-speed DSG, you'll discover that whichever engine you choose, it will carry you to your destination swiftly and smoothly.

TDI

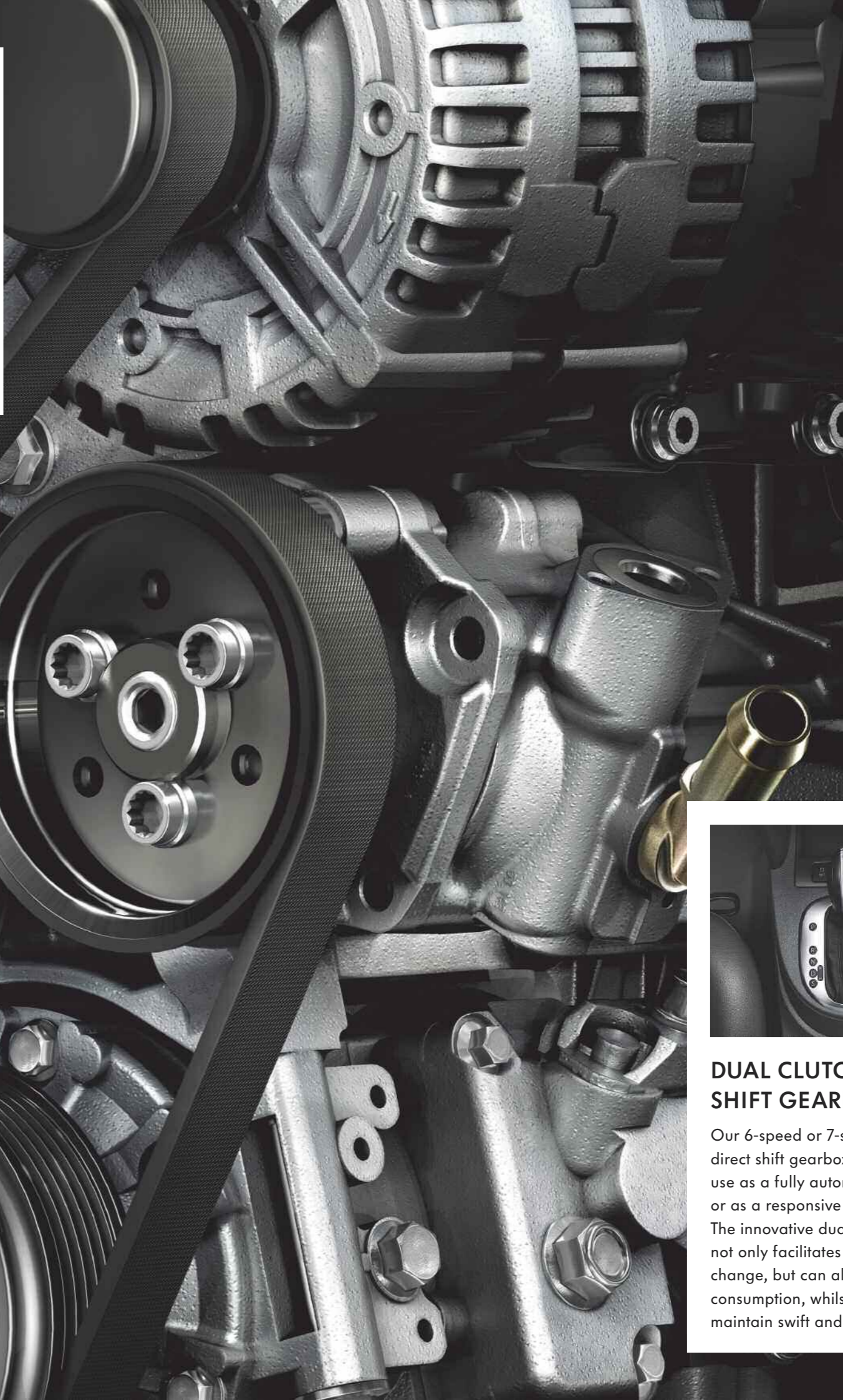
1.6 LITRE 75KW (102PS) TDI ENGINE.¹

The 102PS TDI diesel engine develops outstanding power and delivers equally impressive fuel consumption and CO₂ emissions, as is 250Nm maximum torque for great performance. Available with a 5-speed manual gearbox or our innovative 7-speed dual clutch direct shift gearbox (DSG).

2.0 LITRE 103KW (140PS) TDI ENGINE.¹

As the most powerful engine in the range, the amazing 140PS TDI diesel engine produces an incredible 320Nm maximum torque. This results in a driving experience that is second to none. Available with a 6-speed manual gearbox or 6-speed dual clutch direct shift gearbox (DSG).

¹ Please refer to page 23 for information about fuel consumption and CO₂ emissions.



DUAL CLUTCH DIRECT SHIFT GEARBOX (DSG).

Our 6-speed or 7-speed, dual clutch direct shift gearbox (DSG) is easy to use as a fully automatic gearbox, or as a responsive quick-shift manual. The innovative dual clutch system not only facilitates an instant gear change, but can also benefit fuel consumption, whilst also helping to maintain swift and smooth progress.

BLUEMOTION TECHNOLOGY.

BlueMotion Technology (BMT) is available as a cost-effective addition to Caddy Maxi window van and Caddy Maxi Life. It consists of four key elements, namely **cruise control**, **Hill Hold Assist**, **regenerative braking** and **Start/Stop**, which when added together, contribute to significant improvements in fuel consumption and CO₂ emissions. Whether a family or business, this not only benefits your pocket, but also demonstrates your concern for the environment.



BLUEMOTION TECHNOLOGY

FOUR KEY ELEMENTS.

1. CRUISE CONTROL.

By driving at a constant speed, cruise control saves fuel which would normally be wasted by fluctuations in speed. This lowers CO₂ emissions with the benefit of increasing driver comfort.

2. HILL HOLD ASSIST.

On inclines, Hill Hold Assist helps you to make a smooth and efficient getaway. It works by holding the brakes on for a short time, meaning you don't need to rev the engine unnecessarily.

3. REGENERATIVE BRAKING.

When you brake, the energy recuperation system uses momentum to turn the alternator and charge the battery. A well charged battery results in the engine doing less work, which in-turn saves fuel and lowers CO₂ emissions.

4. START/STOP.

Allows you to save fuel by automatically turning the engine off when you stop and engage neutral. As soon as you depress the clutch, the engine starts up again. A simple, but highly effective system.

BLUEMOTION TECHNOLOGY PRICE.

Caddy Maxi window van and Caddy Maxi Life	
Basic price (exc. VAT)	£405.00
Total price (inc. VAT)	£486.00



SIT BACK AND RELAX.

The Caddy's stylish and ergonomic interior, made from high-quality materials, has well thought-out controls, enabling you to concentrate on the road ahead. You'll feel totally at home with a driver's seat that adjusts for height, reach and rake and a steering wheel that adjusts for reach and rake too. Driver and passenger 3-point seatbelts are adjustable for height and include tensioners as standard. To further take the strain from your journey, every Caddy has a powerful heater with air recirculation, pollen filter and 4-speed blower, power assisted steering and a quality RCD 210 or RCD 310 radio, both with a single MP3 compatible CD player. At the rear there's standard seating for a further five passengers along two rows of seats (in the case of the Caddy Maxi Life), while the Caddy Life and Caddy Maxi window van offer rear seating for a further three passengers, with the ability to increase this to five by adding an optional two-seat bench in the second rear row.



01



02



03

- 01 Stay connected with a range of quality radio and navigation systems, including the RNS 510 radio with satellite navigation.
- 02 Optional cruise control maintains a constant speed at the touch of a button (standard with BlueMotion Technology models).
- 03 Standard on Caddy Life and Caddy Maxi Life models, Climatic air conditioning ensures a comfortable climate inside your Caddy.

STANDARD SEATING CONFIGURATIONS.

CADDY LIFE.



STANDARD FIVE-SEAT LAYOUT



FIRST REAR ROW SEATS FOLDED



FIRST REAR ROW SEATS REMOVED



OPTIONAL SEVEN-SEAT LAYOUT

CADDY MAXI LIFE.



STANDARD SEVEN-SEAT LAYOUT



SECOND REAR ROW SEATS REMOVED



FIRST REAR ROW SEATS FOLDED



FIRST REAR ROW SEATS REMOVED

CADDY MAXI WINDOW VAN.



STANDARD FIVE-SEAT LAYOUT



FIRST REAR ROW SEATS FOLDED



FIRST REAR ROW SEATS REMOVED



OPTIONAL SEVEN-SEAT LAYOUT



THE CADDY MAXI WINDOW VAN.

The **Caddy Maxi window van** is Volkswagen's answer to heavy-duty passenger travel. It's ideal for commercial users, such as taxi companies and building contractors, who need to transport passengers or crew, along with their luggage or kit, in a hard-wearing passenger vehicle that delivers comfort, economy and reliability on a daily basis.

While the window van includes the usual safety and dynamic features you'd expect from any Caddy, behind the cab, its robust interior features painted hardboard trim to the roof and side panels and six load-lashing rings to keep your cargo in place. Access is through two side sliding doors and a large tailgate with heated window and wash-wipe. The window van's standard split/folding and removable three-seat rear bench includes 3-point seatbelts, height-adjustable head restraints and ISOFIX mountings to the outer seats. For further flexibility, a two-seat rear bench can be specified, increasing seating capacity to seven. When you need a compact and tough passenger carrier, the Caddy Maxi window van is difficult to beat.



- 01 Steel wheels – 15" on 102PS and 16" on 140PS (shown here with optional body-coloured bumpers).
- 02 Rear tailgate with heated window and wash-wipe.
- 03 Handy overhead storage space above driver and front passenger.

- 04 RCD 210 radio with storage compartment, MP3 compatible CD player and two speakers.
- 05 Dashboard storage tray and optional 12v socket.
- 06 Six load-lashing rings in the rear passenger compartment.

LIVE LIFE TO THE FULL.

When you need a vehicle with the ability to adapt to your way of life – be it private, commercial, or wheelchair use, the **Caddy Life** and longer **Caddy Maxi Life** are the answer. Both models are equally at home whether packed with passengers, or with the seats removed, loaded with bikes, luggage, camping gear and other bulky items that wouldn't easily fit into a conventional passenger vehicle. With a comprehensive standard specification including an RCD 310 radio with six speakers, Climatic air conditioning, electrically heated and adjustable door mirrors and sumptuous Milan cloth upholstery, they're ideal for users who desire more. And the Caddy's options list reflects its versatility, with a host of both luxurious and practical items – all designed to help you specify your Caddy to suit your particular needs.



- 01 Four overhead storage nets – conveniently located to hold travelling essentials.
- 02 Under-seat storage compartments below driver and front passenger seats.
- 03 15" Kemora alloys, standard on 102PS Caddy Life.
- 04 16" Siracusa alloys, standard on 140PS Caddy Life and all Caddy Maxi Life models.

- 05 Rear seats can be folded or fully removed to create a cavernous load area.
- 06 RCD 310 radio with single MP3 compatible CD player, AUX-IN socket and six speakers.
- 07 Trip computer with multi-function display.
- 08 Stylish and practical roof rails finished in Black.

CADDY MAXI WINDOW VAN STANDARD EQUIPMENT.

AUDIO AND COMMUNICATIONS.

RCD 210 radio with single MP3 compatible CD player and two speakers.

INTERIOR – CAB AREA.

Austin cloth upholstery.
Carpet floor covering.
Digital clock.
Dimmable dashboard illumination.
Driver's seat with height, reach and rake adjustment.
Four drinks holders and storage compartment in centre console.
Interior light in headlining.
Manually controlled heating system with dust and pollen filter and air recirculation.
Open glove compartment.
Passenger seat with reach and rake adjustment.
Reach and rake adjustable steering column.
Rear-view mirror with anti-dazzle function.
Servotronic speed-related power-assisted steering.
12v socket in dashboard.

INTERIOR – PASSENGER AREA.

Austin cloth upholstery.
Carpet floor covering.
Hardboard roof trim and painted side panels in rear passenger compartment.
Six load-lashing rings.
Three-seat bench, split/folding and removable in first rear row, with ISOFIX mountings to outer seats.
Two door-activated interior lights.

EXTERIOR.

Grey door mirrors and handles.
Grey front and rear bumpers.
Heat insulating glass.
Roof rail preparation.
Sliding doors to rear passenger compartment, with fixed window and child locks.
Tailgate with heated window and wash-wipe.
60 litre fuel tank.

SAFETY AND SECURITY.

Airbags – driver and front passenger (with passenger deactivation).
Anti-lock Braking System (ABS).
Automatic hazard light activation under emergency braking.
Electronic Brakeforce Distribution (EBD).
Electronic Differential Lock (EDL).
Electronic Stabilisation Programme (ESP).
Engine Drag Torque Control (MSR).
Halogen main headlights with range control and daytime running lights.
Height-adjustable head restraints.
Remote central locking with deadlocks, interior locking and single remote key.
Thatcham Category 2 approved immobiliser.
Traction Control System (TCS).
Windscreen wiper with variable intermittent delay and wash-wipe system.

WHEELS AND TYRES.

15" steel wheels with 195/65 R15 tyres (102PS models).
16" steel wheels with 205/55 R16 tyres (140PS models).
Black wheel centre caps.
Full size steel spare wheel.
Tool kit and jack.

CADDY LIFE AND CADDY MAXI LIFE STANDARD EQUIPMENT.

AUDIO AND COMMUNICATIONS.

RCD 310 radio with single MP3 compatible CD player, AUX-IN socket and six speakers.

INTERIOR – CAB AREA.

Carpet floor covering.
Centre armrest between driver and front passenger seats.
Climatic manually controlled air conditioning with dust and pollen filter and air recirculation.
Dashboard with tray cover.
Digital clock.
Dimmable dashboard illumination.
Driver's seat with height, reach and rake adjustment.
Electric front windows.
Four drinks holders and storage compartment in centre console.
Interior light in headlining.
Milan cloth upholstery.
Open glove compartment.
Passenger seat with reach and rake adjustment.
Reach and rake adjustable steering column.
Rear-view mirror with anti-dazzle function.
Servotronic speed-related power-assisted steering.
Trip computer with multi-function display.
Twin sun visors with vanity mirrors.
Under-seat storage compartment below driver and front passenger seats.
12v sockets x 2 – dashboard and luggage compartment.

INTERIOR – PASSENGER AREA.

Carpet floor covering.
Folding luggage compartment cover.
Four overhead storage nets.
Milan cloth upholstery.
Six load-lashing rings.
Three-seat bench, split/folding and removable in first rear row, with ISOFIX mountings to outer seats.
Two-seat bench, folding and removable in second rear row (standard on Caddy Maxi Life, optional on Caddy Life and Caddy Maxi window van).
Two door-activated interior lights.

EXTERIOR.

Body-coloured door mirrors and handles.
Body-coloured front and rear bumpers.
Electrically heated and adjustable door mirrors.
Fixed side windows in second rear row.
Front fog lights.
Heat insulating glass.
Roof rails finished in Black.
Sliding doors to rear passenger compartment, with sliding windows and child locks.
Tailgate with heated window and wash-wipe.
60 litre fuel tank.

SAFETY AND SECURITY.

Airbags – driver and front passenger (with passenger deactivation), front side and curtain head protection.
Anti-lock Braking System (ABS).
Automatic hazard light activation under emergency braking.
Electronic Brakeforce Distribution (EBD).
Electronic Differential Lock (EDL).
Electronic Stabilisation Programme (ESP).
Engine Drag Torque Control (MSR).
Halogen main headlights with range control and daytime running lights.
Height-adjustable head restraints.
Remote central locking with deadlocks, interior locking and two remote keys.
Thatcham Category 1 approved immobiliser and alarm.
Traction Control System (TCS).
Windscreen wiper with variable intermittent delay and wash-wipe system.

WHEELS AND TYRES.

15" Kemora alloy wheels fitted with 195/65 R15 tyres (Caddy Life 102PS models).
16" Siracusa alloy wheels fitted with 205/55 R16 tyres (Caddy Life 140PS models and Caddy Maxi Life).
Full size steel spare wheel.
Locking wheel bolts.
Tool kit and jack.

PAINT FINISHES.

	CANDY WHITE Solid paint B4B4		PURE GREY Solid paint ¹ J2J2
	BRIGHT ORANGE Solid paint ¹ E3E3		SUNDOWN ORANGE Solid paint Z7Z7 Also available with a Black roof option. ²
	SALSA RED Solid paint 4Y4Y		RAVEN BLUE Metallic paint ³ 5Z5Z
	NIGHT BLUE Metallic paint ³ Z2Z2		REFLEX SILVER Metallic paint ³ 8E8E
	NATURAL GREY Metallic paint ³ M4M4		TOFFEE BROWN Metallic paint ³ 4Q4Q
	BLACKBERRY Metallic paint ³ C0C0		LAVA RED Metallic paint ³ F0F0
	HONEY ORANGE Metallic paint ³ 4V4V		VIPER GREEN Metallic paint ³ 6B6B

	BAMBOO GARDEN GREEN Metallic paint ³ 3T3T Also available with a Black roof option. ²		DEEP BLACK Pearl effect paint ³ 2T2T
--	--	--	--

UPHOLSTERY.

	AUSTIN Titanium Black Cloth wv		MILAN Chestnut Cloth L ML
	MILAN Anthracite Cloth L ML		LEATHERETTE Anthracite Synthetic leather wv L ML

KEY.

STANDARD
 OPTIONAL
 wv MAXI WINDOW VAN
 L LIFE
 ML MAXI LIFE

¹ Paint only available on Caddy Maxi window van.

² Black roof option only available on Caddy Life and Caddy Maxi Life.

³ Metallic and pearl effect finishes are available at extra cost.

Please note: Not all paint and upholstery combinations can be ordered together and in some instances certain combinations may incur extra cost.

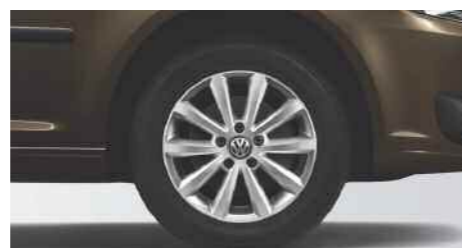
Print processes do not allow exact reproduction of paint and upholstery colours.



ALLOY WHEELS.



15" KEMORA
195/65 R15 tyres.
Standard on
Caddy Life 102PS.



16" SACRAMENTO
205/55 R16 tyres.



16" SIRACUSA
205/55 R16 tyres.
Standard on
Caddy Life 140PS
and all Caddy Maxi
Life models.



17" BUDAPEST
205/50 R17 tyres.

AUDIO AND COMMUNICATIONS.



RCD 210
Standard on Caddy
Maxi window van.
FM/AM radio.
Single CD player.
MP3-file compatible.
Storage compartment.



RCD 310
Standard on Caddy Life
and Caddy Maxi Life.
FM/AM radio.
Single CD player.
MP3-file compatible.
AUX-IN socket.
Available with DAB+.



RCD 510
6.5" colour touch-screen.
FM/AM radio.
Integrated 6 CD changer.
MP3-file compatible.
AUX-IN and SD card slot.
Available with DAB+.



RNS 315
5" colour touch-screen.
FM/AM radio with RDS.
Single CD player.
6GB flash memory.
AUX-IN and SD card slot.
Satellite navigation.



RNS 510
6.5" colour touch-screen.
Voice control.
FM/AM radio with RDS.
Single CD/DVD drive.
30GB hard drive.
AUX-IN and SD card slot.
Satellite navigation.

NUMBER OF SPEAKERS.

RADIO	CADDY MAXI WINDOW VAN	CADDY LIFE AND CADDY MAXI LIFE
RCD 210	2 (standard)	-
RCD 310	2	6 (standard)
RCD 510	4	6
RNS 315	4	6
RNS 510	4	6

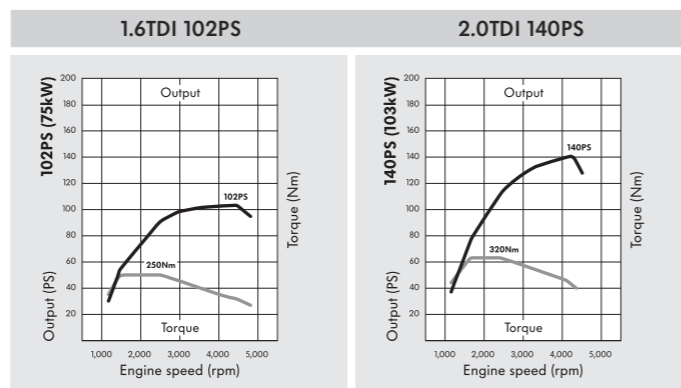
Please note: For alloy wheel, audio and communications compatibility and fitment, please see separate price list.



ENGINE AND GEARBOX DATA.

ENGINE SPECIFICATIONS.	1.6TDI 102PS	2.0TDI 140PS
Engine type	Diesel, transverse, water-cooled, in-line, variable turbine geometry turbocharger with intercooler	
Mixture preparation/injection method	Common-rail, direct injection	
EU exhaust emission standard	EURO 5	
Number of cylinders	4	
Cubic capacity	1,598cc	1,968cc
Output, PS at rpm	102 at 4,400	140 at 4,200
Torque, max. Nm at rpm	250 at 1,500-2,500	320 at 1,750-2,750
Diesel Particulate Filter (DPF)	●	●
5-speed manual gearbox	●	–
6-speed manual gearbox	–	●
6-speed dual clutch gearbox (DSG)	–	○
7-speed dual clutch gearbox (DSG)	○	–
Front-wheel drive	●	●
BlueMotion Technology	○	○
Alternator	110A	
Battery	61Ah (330A)	

- Standard
- Available
- Not available



FUEL CONSUMPTION, PERFORMANCE AND EMISSIONS.

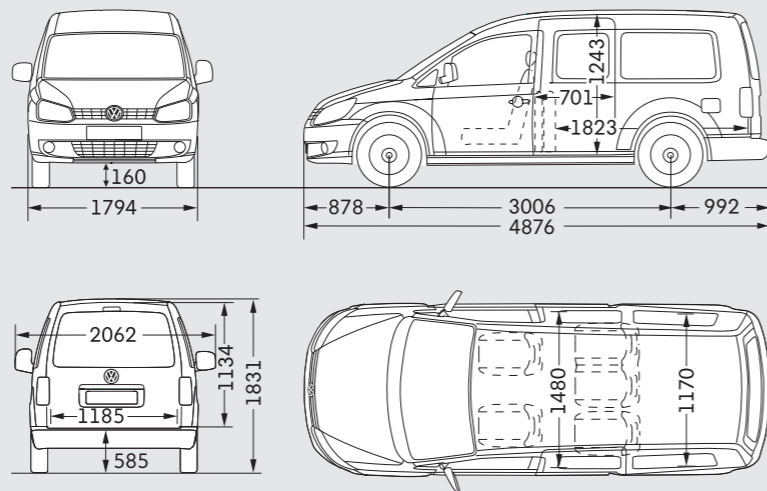
Engine/transmission	Urban mpg (ltr/100km) ¹	Extra-urban mpg (ltr/100km) ¹	Combined mpg (ltr/100km) ¹	Acceleration 0-62 mph seconds	Top speed (where law permits) mph	CO ₂ emissions g/km ¹
CADDY MAXI WINDOW VAN.						
1.6TDI 102PS	42.8 (6.6)	54.3 (5.2)	49.6 (5.7)	13.4	104	149
1.6TDI 102PS BMT	47.9 (5.9)	60.1 (4.7)	55.4 (5.1)	13.4	106	134
1.6TDI 102PS DSG	42.8 (6.6)	54.3 (5.2)	49.6 (5.7)	13.5	104	149
1.6TDI 102PS DSG BMT	48.7 (5.8)	55.4 (5.1)	53.3 (5.3)	13.5	104	139
2.0TDI 140PS	38.2 (7.4)	53.3 (5.3)	47.1 (6.0)	10.8	116	158
2.0TDI 140PS BMT	42.2 (6.7)	56.5 (5.0)	50.4 (5.6)	10.8	116	147
2.0TDI 140PS DSG	37.2 (7.6)	51.4 (5.5)	44.8 (6.3)	10.9	116	166
2.0TDI 140PS DSG BMT	42.8 (6.6)	51.4 (5.5)	47.9 (5.9)	10.9	116	155
CADDY LIFE.						
1.6TDI 102PS	42.8 (6.6)	54.3 (5.2)	49.6 (5.7)	12.2	104	149
1.6TDI 102PS DSG	43.5 (6.5)	54.3 (5.2)	49.6 (5.7)	13.0	104	149
2.0TDI 140PS DSG	37.2 (7.6)	51.4 (5.5)	44.8 (6.3)	10.6	116	166
CADDY MAXI LIFE.						
1.6TDI 102PS	42.2 (6.7)	53.3 (5.3)	48.7 (5.8)	13.4	104	152
1.6TDI 102PS BMT	47.1 (6.0)	58.8 (4.8)	54.3 (5.2)	13.4	106	136
1.6TDI 102PS DSG	42.8 (6.6)	53.3 (5.3)	48.7 (5.8)	13.5	104	152
1.6TDI 102PS DSG BMT	47.9 (5.9)	54.3 (5.2)	52.3 (5.4)	13.5	104	142
2.0TDI 140PS	37.7 (7.5)	52.3 (5.4)	46.3 (6.1)	10.8	116	161
2.0TDI 140PS BMT	41.5 (6.8)	55.4 (5.1)	49.6 (5.7)	10.8	116	149
2.0TDI 140PS DSG	37.2 (7.6)	51.4 (5.5)	44.8 (6.3)	10.9	116	166
2.0TDI 140PS DSG BMT	42.8 (6.6)	51.4 (5.5)	47.9 (5.9)	10.9	116	155

¹ The fuel consumption and emission values listed here have been ascertained in accordance with the legally stipulated measuring method. These figures do not refer to a particular specific vehicle and do not constitute part of the offer but are purely for comparison purposes between the various types of vehicle. In addition to the fuel efficiency of a vehicle, driving behaviour as well as other non-technical factors (such as environmental conditions) play a role in determining a vehicle's fuel consumption and CO₂ emissions. In addition to weather and traffic conditions, extra equipment and accessories (attachment parts, tyres, etc.) may change vehicle parameters such as the weight, rolling resistance of the tyres and the aerodynamics and thus influence the fuel consumption and driving performance values.

DIMENSIONS.

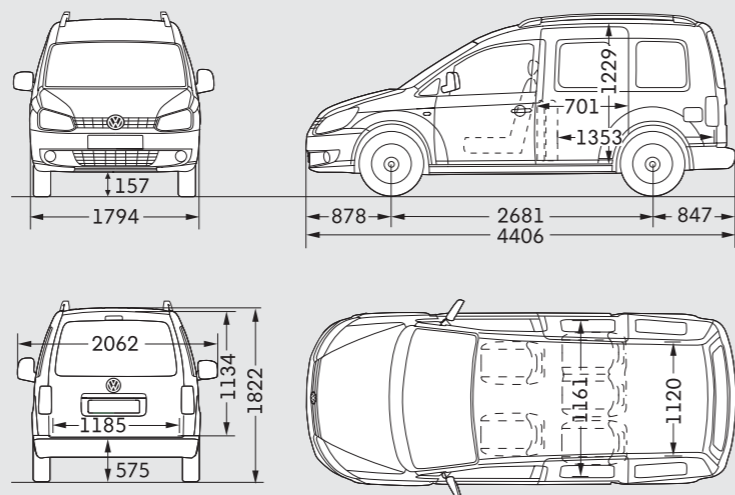
CADDY MAXI WINDOW VAN.

Wheelbase	3,006	
Load compartment	length (with rear seats folded)	1,823
	width	1,480
	width between wheel arches	1,170
	height	1,243
Load volume	rear seats upright	1.6m ³
	rear seats folded	3.9m ³
	rear seats removed	4.1m ³
Side sliding door	width	701
	height	1,084
Rear tailgate	width	1,185
	height	1,134
Turning circle (wall to wall)	12.2m	



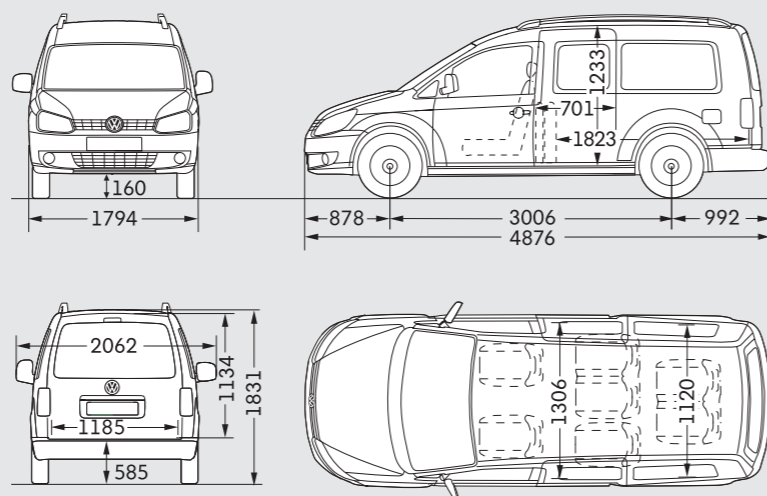
CADDY LIFE.

Wheelbase	2,681	
Load compartment	length	1,353
	width	1,161
	width between wheel arches	1,120
	height	1,229
Side sliding door	width	701
	height	1,084
Rear tailgate	width	1,185
	height	1,134
Turning circle (wall to wall)	11.1m	



CADDY MAXI LIFE.

Wheelbase	3,006	
Load compartment	length (with rear seats folded)	1,823
	width	1,306
	width between wheel arches	1,120
	height	1,233
Side sliding door	width	701
	height	1,084
Rear tailgate	width	1,185
	height	1,134
Turning circle (wall to wall)	12.2m	



WEIGHTS.

Engine/transmission

CADDY MAXI WINDOW VAN.

Engine/transmission	Gross vehicle weight kg	Axle load limit front/rear kg	Trailer weight braked 12%/ unbraked kg	Gross train weight kg	Unladen weight ¹ kg	Payload ² kg
1.6TDI 102PS	2,280	1,150 / 1,230	1,500 / 750	3,650	1,642	638
1.6TDI 102PS BMT	2,280	1,150 / 1,230	1,500 / 750	3,650	1,647	633
1.6TDI 102PS DSG	2,280	1,175 / 1,230	1,500 / 750	3,780	1,660	620
1.6TDI 102PS DSG BMT	2,280	1,175 / 1,230	1,500 / 750	3,780	1,665	615
2.0TDI 140PS	2,365	1,175 / 1,250	1,500 / 750	3,800	1,659	706
2.0TDI 140PS BMT	2,365	1,175 / 1,250	1,500 / 750	3,800	1,664	701
2.0TDI 140PS DSG	2,380	1,175 / 1,250	1,500 / 750	3,800	1,681	699
2.0TDI 140PS DSG BMT	2,380	1,175 / 1,250	1,500 / 750	3,800	1,686	694

CADDY LIFE.

1.6TDI 102PS	2,264	1,075 / 1,200	1,500 / 750	3,650	1,522	742
1.6TDI 102PS DSG	2,280	1,100 / 1,200	1,500 / 750	3,780	1,540	740
2.0TDI 140PS DSG	2,280	1,125 / 1,200	1,500 / 750	3,780	1,556	724

CADDY MAXI LIFE.

1.6TDI 102PS	2,345	1,150 / 1,250	1,300 / 750	3,645	1,743	602
1.6TDI 102PS BMT	2,345	1,150 / 1,250	1,300 / 750	3,645	1,747	598
1.6TDI 102PS DSG	2,365	1,175 / 1,250	1,400 / 750	3,765	1,761	604
1.6TDI 102PS DSG BMT	2,365	1,175 / 1,250	1,400 / 750	3,765	1,765	600
2.0TDI 140PS	2,365	1,175 / 1,250	1,400 / 750	3,765	1,750	615
2.0TDI 140PS BMT	2,365	1,175 / 1,250	1,400 / 750	3,765	1,754	611
2.0TDI 140PS DSG	2,380	1,175 / 1,250	1,400 / 750	3,780	1,772	608
2.0TDI 140PS DSG BMT	2,380	1,175 / 1,250	1,400 / 750	3,780	1,776	604

¹ Unladen weight includes approximately 90% fuel load and 75kg for driver.

² Payload = gross vehicle weight – unladen weight. Weights are for vehicles with standard specification.

The addition of factory options or Volkswagen Van Centre fitted accessories may affect unladen weight and payload.

Please note: Vehicle drawings are not to scale. All dimensions in millimeters (mm), unless otherwise stated.

The height measurements listed may vary by ± 50mm depending on model and equipment fitted.

SERVICE AND WARRANTIES.

FINANCE AND INSURANCE.

When it comes to paying for your vehicle, we've got options including Contract Hire and Finance Lease, or Hire Purchase. We can also offer you competitive insurance.

A CHOICE OF PACKAGES.

Whether you prefer to lease your vehicles, with none of the concerns of ownership and the freedom to change models easily, or purchase outright to own the vehicle, we're here to help you make the best decision.

You can go flexible, by choosing a payment plan that suits your finances, with options to reduce your monthly costs and your repayment period. Or choose a fixed monthly price that allows you to budget confidently for the longer term.

You can even include your road tax and servicing costs to arrive at one simple, all-inclusive payment. For more information, pick up a finance brochure, or ask at your Van Centre.

VOLKSWAGEN INSURANCE.

Volkswagen Commercial Vehicles Insurance provides cost-effective and comprehensive motor insurance, as well as gap insurance, which helps replace your vehicle and protect you from any financial shortfall if it's written off.

INSURANCE BENEFITS INCLUDE:

- Free seven-day cover to allow you to drive your vehicle away.
- All repairs performed by approved repairers.
- Volkswagen Genuine Parts® used on all repairs.
- Courtesy vehicle provided during repair following an accident.
- Cover for breakage and damage to glass.
- Tools-in-transit cover (up to £1,000).
- In-vehicle personal belongings cover (up to £500).
- Vehicle recovery.
- 60-day European Union cover.
- Legal expenses cover (up to £100,000).

For more information about motor and gap insurance products, ask at your Van Centre, call **0800 316 7896**, or visit insurewithvwcv.co.uk.

SERVICING AND SUPPORT.

We're here to keep you moving, with our range of three award-winning¹ servicing and maintenance options, as well as free Roadside Assistance.

PAY MONTHLY.

This option is available for vehicles that are less than 12 months old and have covered less than 10,000 miles. It makes budgeting easier by splitting the cost of servicing into fixed monthly payments – whether you want Service only, Service and Maintenance or Service, Maintenance and Tyres.

PAY UPFRONT.²

If you can pay for more than one service upfront, we'll help by reducing your costs. Buy two upfront and you'll receive one interim and one full service at a discounted rate. Buy four and you'll receive two interim and two full services, with your next MOT also included.

PAY ON DEMAND.

If you're looking for freedom and flexibility with your servicing, it's good to know we're ready when you are. So with our third option, you can choose to pay for your services as and when you need them, with our National Service Pricing. Ask your Van Centre for an up-to-date pricing guide.

ROADSIDE ASSISTANCE.

We understand the need to keep you mobile. That's why all new vehicles come with three-year, unlimited mileage roadside cover. Should the unexpected happen, one call gets you straight through to a team trained to help you through any breakdown or accident. Supporting you every day will be a team of 95 vehicle technicians, fully-trained by Volkswagen and carrying the latest diagnostic equipment, specialist tools and parts.

ASSISTANCE BENEFITS INCLUDE:

- Assistance at home, by the roadside or place of work.
- Recovery to your preferred location.
- Onward travel, for you and your cargo.
- Cover 24 hours a day, 365 days a year.
- Free cover for three years (on new vehicles).
- Unlimited mileage.
- European cover.
- Option to extend cover beyond three years.

WARRANTIES.

You can count on us long after you purchase your Caddy, thanks to its comprehensive three-year, 100,000 mile warranty. You choose Volkswagen because you depend on your vehicle, year in, year out.

While your Caddy is under warranty, we'll fix any defect in manufacture or workmanship free of charge, even if you purchase and service the vehicle at different Van Centres.

EXTENDED WARRANTY.

You can also extend your warranty beyond the three-year, 100,000 mile period, choosing either Comprehensive or Major Component cover, as a one-off or monthly payment. For full details of cover levels, along with terms and conditions, please visit volkswagencvwarranty.co.uk where you'll also be able to obtain a quote and purchase an extended warranty.

PAINT AND BODY WARRANTY.

Your Caddy's exterior paintwork is covered against manufacturing defects for a period of three years, while its body sections and panels are covered against rusting through from the inside for 12 years. Some exclusions apply and the vehicle must be cared for using the guidance in your owner's manual.

PLEASE NOTE: Print processes do not allow exact reproduction of the paint and upholstery colours. Some of the vehicles shown are European specification and may be fitted with optional equipment or accessories that are available at extra cost, or do not reflect current specification. All data and specifications are in accordance with information available at the time of going to print and are subject to change without notice. Vehicles not currently in UK stock and customer order vehicles may take a number of weeks for delivery. Certain combinations of vehicle specifications and factory-fitted extras are not compatible and therefore all orders received are subject to confirmation. Models, factory-fitted options and paint and upholstery options are subject to availability. Please check details and availability with an authorised Volkswagen Van Centre at the time of ordering.

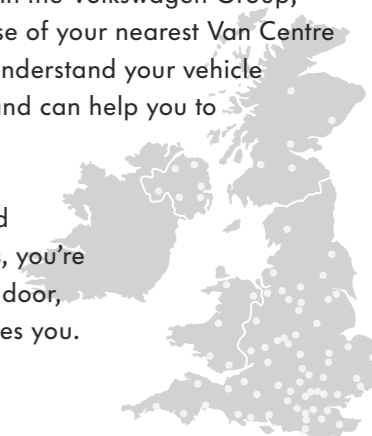
Volkswagen Commercial Vehicle Finance is a trading name of Volkswagen Financial Services (UK) Limited, Brunswick Court, Yeomans Drive, Blakelands, Milton Keynes MK14 5LR. Registered in England number: 2835230. An offer of finance depends on certain conditions. Subject to status, indemnities may be required. Available to over 18s in the UK only. Volkswagen Commercial Vehicle Insurance is a trading name of Volkswagen Insurance Service (Great Britain) Limited, an appointed representative of Volkswagen Financial Services (UK) Limited, registered in England number: 2835230 (registered office: Brunswick Court, Yeomans Drive, Blakelands, Milton Keynes MK14 5LR). Volkswagen Commercial Vehicle Insurance motor insurance is sold, underwritten and administered by Allianz Insurance plc., registered in England number: 84638 (registered office: 57 Ladymead, Guildford, Surrey GU1 1DB). Volkswagen Financial Services (UK) Limited is authorised and regulated by the Financial Conduct Authority. Financial Services Register number: 311988. Allianz Insurance plc is authorised by the Prudential Regulation Authority and regulated by the Financial Conduct Authority and the Prudential Regulation Authority. Financial Services Register number: 121849. Volkswagen Financial Services (UK) Limited and Allianz Insurance plc are not part of the same corporate group.

THE VAN CENTRE NETWORK.



Our **dedicated Van Centre network** is at the core of everything we do and is always there to help. As a separate brand within the Volkswagen Group, it makes sense to make use of your nearest Van Centre – it's full of experts who understand your vehicle better than anyone else and can help you to get the most out of it.

With **69 Van Centres** and **29 Authorised Repairers**, you're only 45 minutes from our door, wherever your Caddy takes you.



¹ Business Vans Awards 2014: Best Service Package for Van Owners.

² Class 4 MOT only. This option is available to all new and used vehicles up to four years old or with less than 80,000 miles on the clock. Services must be used consecutively prior to vehicle reaching eight years old.

Caddy passenger carriers

VW MY15 CADPC

This brochure supersedes all previous publications.

Issue: June 2014

www.volkswagen-vans.co.uk