

# 1990 FORD PROBE





## FORD PROBE GT



nly from first-hand experience can the meaning of the term "customer-driven"—the driving force of Ford Motor Company—be properly understood. Which is why the question is asked, Have you driven a Ford...lately?

Anyone who has ever been behind the wheel of a Ford Probe has experienced the unmistakable feeling of finely balanced design and engineering performance—the driver-oriented concept behind the production of every

"customer-driven" Ford Probe sport hatchback.

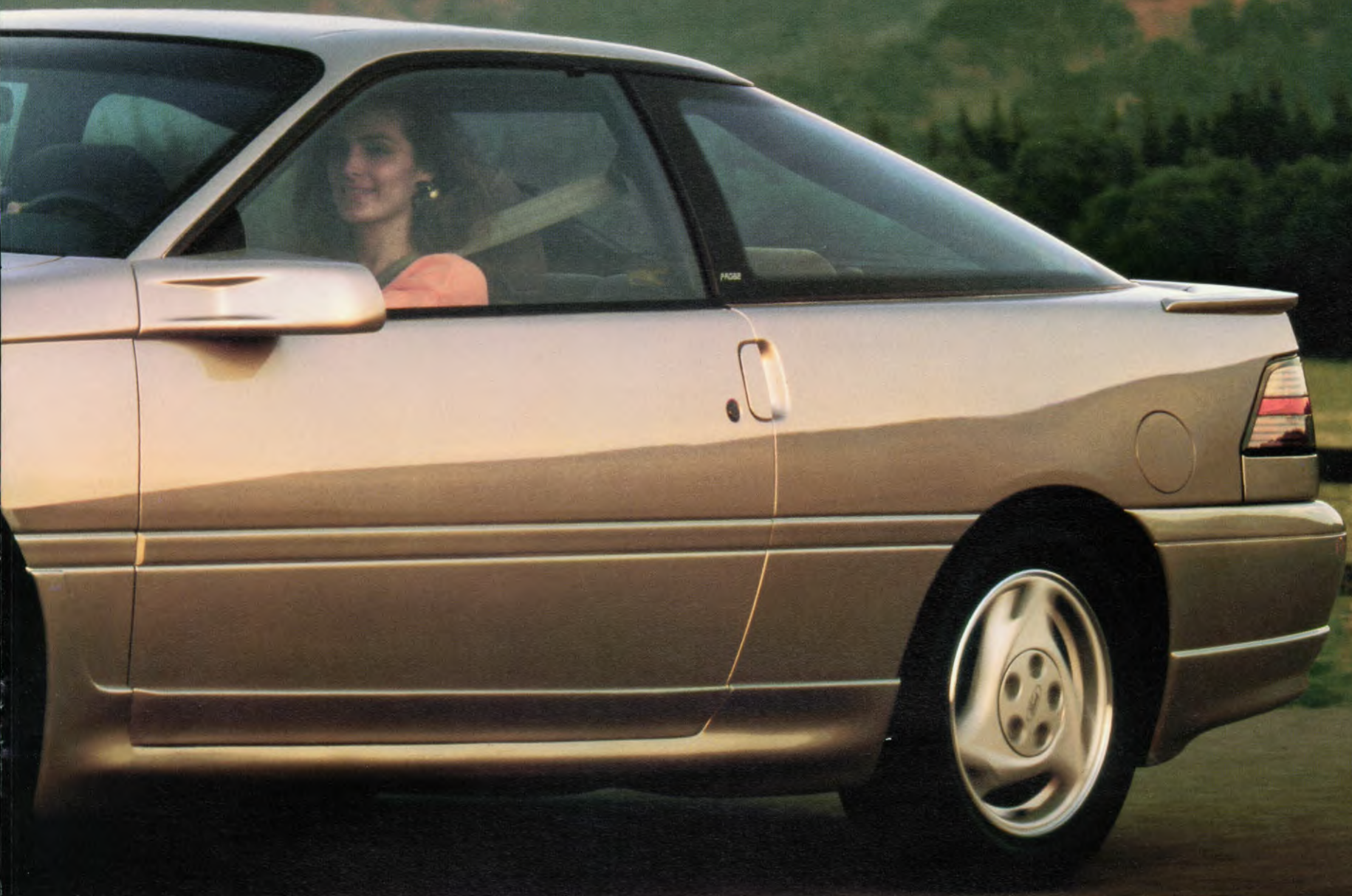
Every automotive nameplate has one unique model that stands apart from the rest. In the Probe lineup it's the Turbo GT, one of the world's finest front-wheel-drive performance cars.

Probe GT's 12-valve 2.2L multi-port fuel-injected, turbocharged and intercooled I-4 engine delivers plenty of driving excitement throughout the performance range, from a standing start to passing at highway speed. Turbo GT for '90 can be equipped with

**Every automotive nameplate has one unique model that stands apart from the rest. In the Probe lineup it's the Turbo GT.**

either the 5-speed manual or the optional 4-speed electronic automatic overdrive transaxle.

GT's handling suspension features special sport-tuned per-



formance components, plus the computerized Automatic Adjusting Suspension. Choose one of three ride modes: Normal-Auto, Sport-Auto, or Soft.

Road-gripping tires are low-profile, speed-rated P205/60VR15 steel-belted performance radials mounted on 15-in. aluminum wheels unique to GT.

The power steering system is electronically controlled by a microprocessor which, in response to vehicle speed, varies the amount of power assist to match precisely the driving situation.

Probe GT has not only the turbo-charged power to get you going quickly, but also 4-wheel power disc brakes with an optional computer-controlled anti-lock brake system (ABS) to help prevent braking-induced wheel lockup. ABS helps the driver maintain steering control on virtually all road conditions.

Together with impressive turbo-charged power plus high-tech handling and steering systems, anti-lock braking gives Probe GT the status of a world-class performer by anyone's standards.

▲ *Probe GT in Light Titanium Clearcoat Metallic with Preferred Equipment Package 261A. Some equipment shown is optional. Among GT's unique features are the front fascia with fog lamps, rear fascia with spoiler, aero-design rocker cladding, and speed-rated performance radials on 15-in. aluminum wheels. Inside, GT has unique sport cloth upholstery, carpeted lower door trim panels, and a turbo boost gauge. Plus most of the comfort and convenience features of the standard Probe LX model.*



*Probe GT instrument panel in Titanium with Preferred Equipment Package 261A. Some equipment shown is optional.*





*Probe GT interior in Titanium with Preferred Equipment Package 261A. Some equipment shown is optional.*



The power and torque of its multi-port fuel-injected 2.2L 12-valve turbo engine alone could make GT the ultimate Probe. But GT delivers more than just sheer power. Sophisticated, high-technology suspension, steering and braking systems form the other half of GT's total performance equation.

#### AUTOMATIC ADJUSTING SUSPENSION

The 4-wheel independent sport-tuned suspension is equipped with the computerized automatic adjusting suspension (AAS), an exclusive GT feature in the Probe line. AAS has three ride modes.

In the Normal-Auto (firm) or Sport-Auto (extra firm) mode, the damping action of the gas-pressurized struts is automatically adjusted to forces such as acceleration, cornering and braking. The result is greater control over front dive, rear squat and body roll tendencies. AAS also has a Soft mode that maintains the softest damping for ride comfort.

#### SPEED-SENSITIVE POWER STEERING

The variable power steering system, also a GT feature, is controlled by a computer that calls for the

exact amount of power assist to match the car's speed. More power assist is provided for a low-speed maneuver like parking; as speed increases, the feel of the wheel becomes progressively firmer.

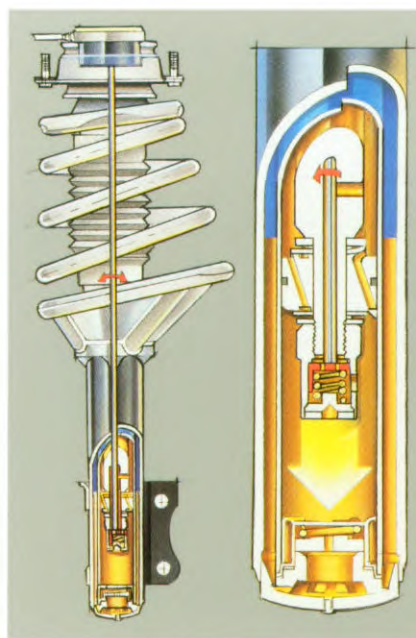
#### OPTIONAL ANTI-LOCK BRAKE SYSTEM

Anti-lock computer technology elevates Probe's 4-wheel power disc brakes to world-class stature.

The anti-lock brake system (ABS) prevents braking-induced wheel lockup in a hard braking situation by applying and releasing the brakes at a rate of speed far exceeding human capability. It's much like a professional driver who skillfully "pumps" the brakes, only a great deal faster.

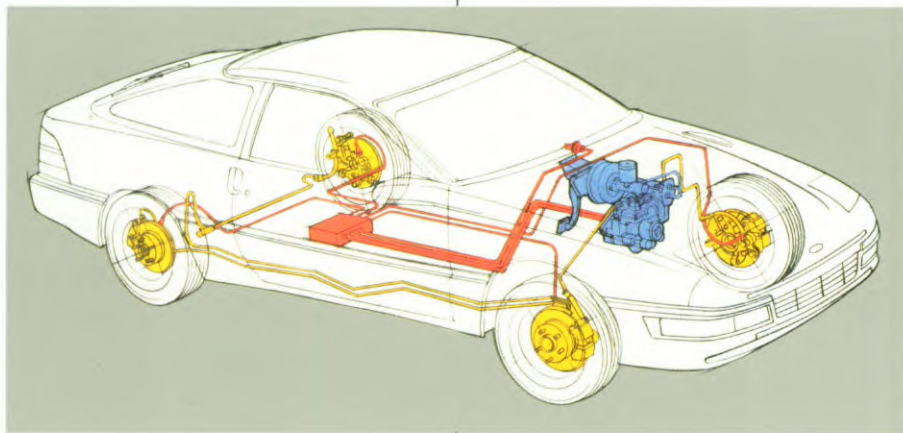
ABS is optional in Preferred Equipment Package 260A and included in Package 261A.

▼ The optional anti-lock brake system (ABS) consists basically of a speed sensor at each wheel and a microprocessor. When braking-induced wheel lock-up is sensed, the computer responds to the speed input from the sensors and "pumps" the brakes. ABS helps the driver come to a straight stop.



▲ The above illustrations show a MacPherson strut tower (at left) with a circled cutaway of the strut valving, which is enlarged at right. In the auto modes, the AAS's special gas-pressurized struts with direct-drive actuators are automatically adjusted to provide the degree of ride firmness required.

► Probe GT in Oxford White with Preferred Equipment Package 261A. Some equipment shown is optional.





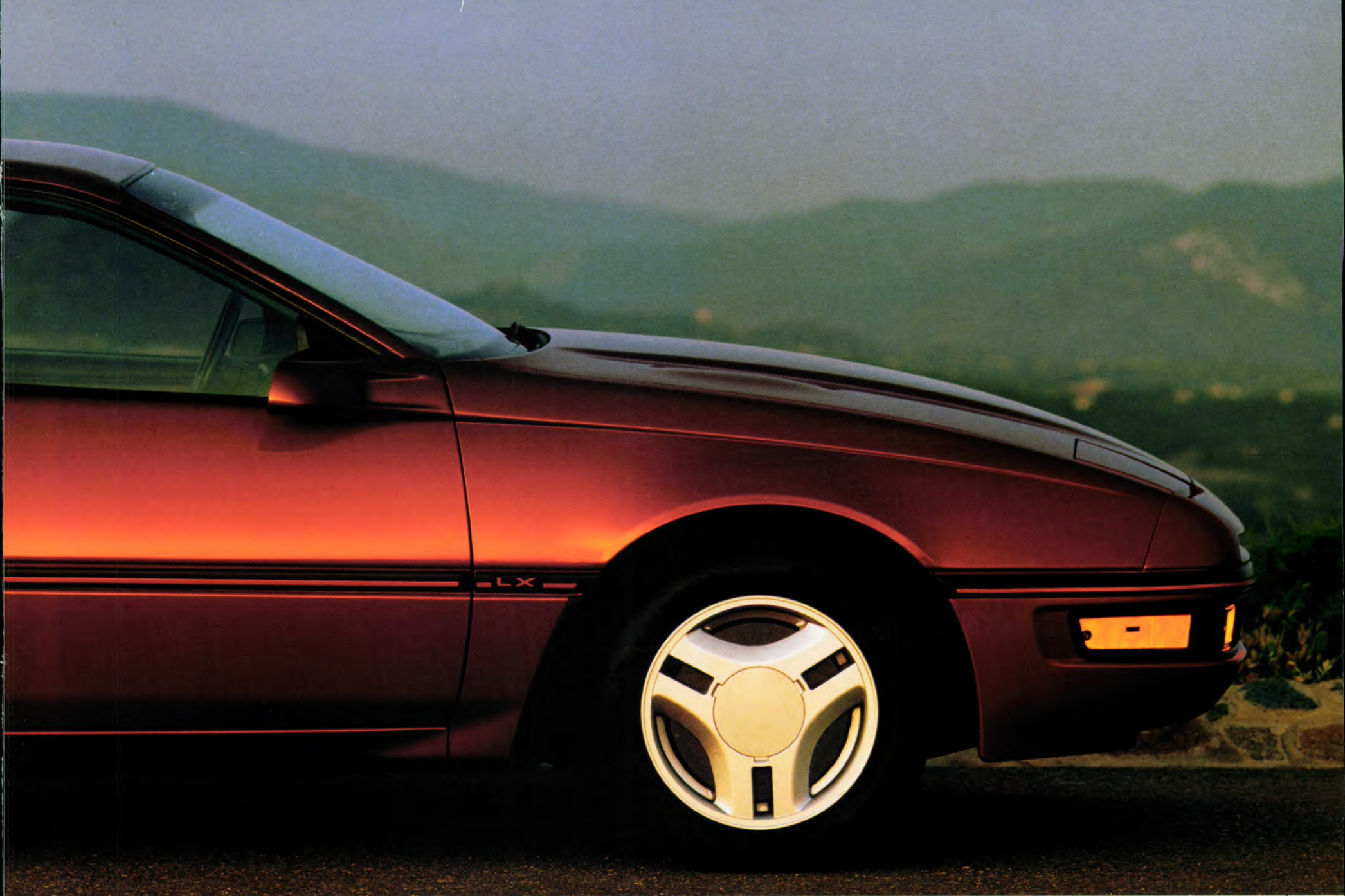


## FORD PROBE LX



**P**robe LX has established itself as one of America's premier luxury sport hatchbacks, on the merits of its great list of features and the quality of its design and engineering. Heading into 1990, Probe LX is even better.

Under-the-hood performance is improved. The newly available 3.0L V-6 with multi-port electronic fuel injection delivers more power and torque. And Probe LX is now equipped with 4-wheel power disc brakes, to which you can add the optional anti-lock system.



**Probe LX has established itself as one of America's premier luxury sport hatchbacks.**

Probe LX's performance-oriented attitude is evident as well in its functional ergonomic features. The driver's seat, for example, has manual adjustments for tilt, lumbar support (on the passenger seat also), and side bolsters. And Probe LX comes equipped with the tilt steering column/instrument cluster illustrated on page 20.

The list of convenience items also includes electric remote-control mirrors, rear window defroster, interval wipers, courtesy light group with headlamps-on alert, map light in an overhead console, remote-control liftgate

and fuel door releases, and dual illuminated visor mirrors.

The standard LX provides extra comfort and appearance features as well: luxury cloth upholstery and floor carpeting, new leather-wrapped steering wheel and shift knob, tinted glass—complete, and luxury sound insulation package.

And for Probe LX (and GT), a new leather seating surfaces option is available.

There exists yet another dimension of Probe LX luxury. It's contained in the Preferred Equipment Package 253A detailed on the following pages.

▲ Probe LX in Wild Strawberry Clearcoat Metallic with Preferred Equipment Package 253A. Some equipment shown is optional.

◀ Probe LX for 1990 is powered by a 3.0L EFI V-6 and is equipped with 4-wheel power disc brakes.

Luxury driving raised to a higher level of sophistication and convenience—this is the essence of Probe LX with the impressive features included in Preferred Equipment Package 253A.

The electronic instrument cluster provides digital readouts for the speedometer, odometer, and trip odometer; and analog readouts for the tachometer, engine temperature, oil pressure, voltmeter, and fuel level.

### Luxury driving is raised to a higher level of sophistication and convenience.

The vehicle maintenance monitor signals when the oil, fuel, engine coolant or washer fluid level is low; provides service interval information; indicates when the driver's door is ajar and when a headlamp, taillamp or stoplamp is out.

The audible "speed" alert feature sounds when a desired maximum speed, set by the driver, is exceeded.

The trip computer displays average fuel economy, instantaneous fuel economy, distance to empty, average speed, elapsed travel time, distance to destination, time to destination, and English/metric conversion.

The Probe LX 253A features list goes on even further to include the comfort of electronic climate control air conditioning; plus the convenience of speed control, six-way



power driver's seat adjustment, power windows and door locks, rear window wiper/washer, and cargo tie-down net.

Entertainment system is the electronic AM/FM stereo radio with cassette player, premium sound amplifier and speakers, and power antenna. Included also is the illuminated entry system: the interior lights can be set to go on when an outside door handle is lifted.

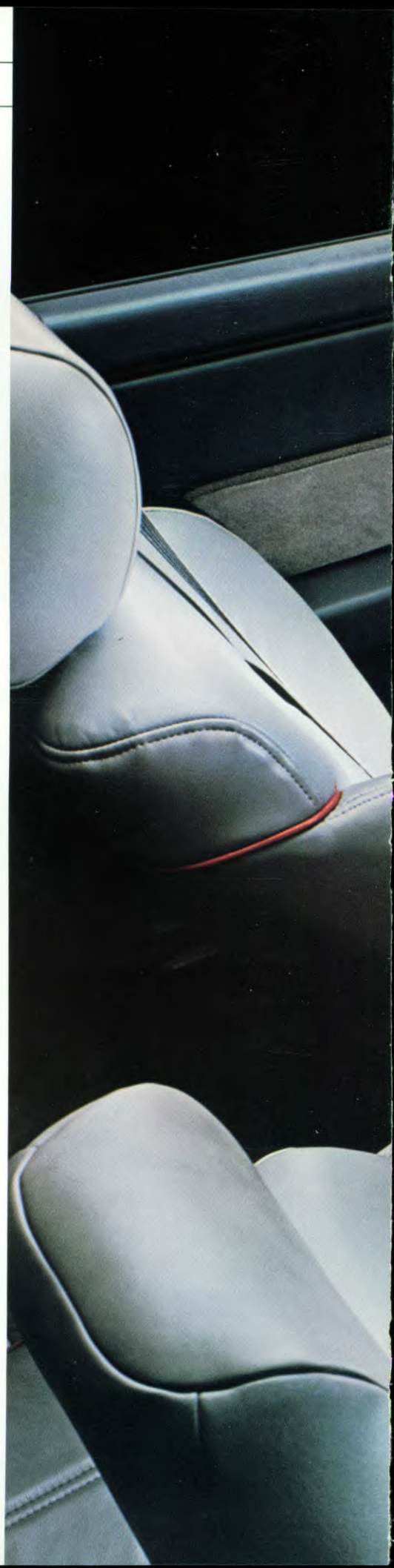
What's more, Probe LX with Package 252A or 253A can be equipped with the optional computer-controlled anti-lock brake system illustrated on page 8.

▲ The electronic instrument cluster is an exclusive feature in LX Preferred Equipment Package 253A.

▲ Included in Preferred Equipment Package 253A are push-button controls for the "speed" alert feature (left) and the trip computer (right).

◀ Power windows and door locks are among the many convenience features that are part of Preferred Equipment Package 253A.

▶ Probe LX interior in Titanium with Preferred Equipment Package 253A. Some equipment shown, such as the leather seating surfaces, is optional.







## FORD PROBE GL

**T**he sleek Probe GL has a low drag coefficient of .308, which makes it one of the most aerodynamic cars on the road. And along with its high aero efficiency, GL boasts an impressive EPA volume index rating of 102.5 cu. ft. — ample space for four adult passengers and cargo.

A 2.2L I-4 engine powers Probe GL. This advanced-design powerplant has 12 valves (three per cylinder) and features a multi-port electronic fuel injection system controlled by an 8-bit digital micro-

processor. Its broad band of torque delivers responsive acceleration with either the standard 5-speed manual overdrive or the optional electronic 4-speed automatic overdrive transaxle.

The balanced ride and handling of a 4-wheel independent suspension, precise power rack-and-pinion steering, power front disc/rear drum brakes, and front-wheel-drive traction—these contribute as well to Probe's excellent all-around performance.

Probe GL places a high premium on value, too, with its Pre-

ferred Equipment Packages 250A and 251A. Included in both packages are features such as contoured reclining front bucket seats with two-way headrests, the versatile 50/50 split fold-down rear seats shown at right, cargo area cover, an electronic AM/FM stereo sound system with digital clock and four speakers (may be deleted for credit), a driver-oriented instrument cluster with full analog gauges including a tachometer, and much more.

Package 251A offers more features plus added value: the tilt



steering column/instrument cluster (illustrated on page 20), tinted glass—complete, rear window defroster, and luxury sound insulation. Also included are the features of the Convenience Group: dual electric remote-control mirrors, interval windshield wipers, and courtesy light package with headlamps-on alert.


On page 25 are Probe GL's Preferred Equipment Packages complete, as well as optional features available separately to further personalize an already highly personal sport hatchback.



▲ Probe GL in Black with Preferred Equipment Package 251A. Some equipment shown is optional.

◀ Probe's versatile 50/50 rear seat backs fold down individually, allowing for added luggage/cargo space either with or without a third passenger. Cargo volume with the seat backs up is 11.9 cu. ft.; 41.9 cu. ft. in Probe GL and 40.9 cu. ft. in Probe LX and GT with both seat backs lowered.

## PROBE POWER

 3.0L fuel-injected V-6 joins the naturally aspirated and turbocharged versions of the 12-valve 2.2L EFI I-4 engine, further refining the performance of the Probe line for 1990. Each Probe model now has its own power ratings contributing to its unique personality.

### PROBE GL: 2.2L EFI I-4

From its mechanical components to its electronic systems, the 2.2L I-4 that powers the Probe GL is the product of advanced engineering.

Three valves per cylinder (two intake, one exhaust) promote freer breathing and higher power output. Multispherical-shaped combustion chambers and centrally positioned spark plugs contribute to the engine's excellent thermodynamic efficiency.

Multi-port electronic fuel injection (EFI) provides precise fuel metering and smooth running. And the 8-bit digital microprocessor that governs the EFI system can control fuel-air distribution and combustion in response to a wide variety of factors affecting the engine's operation.

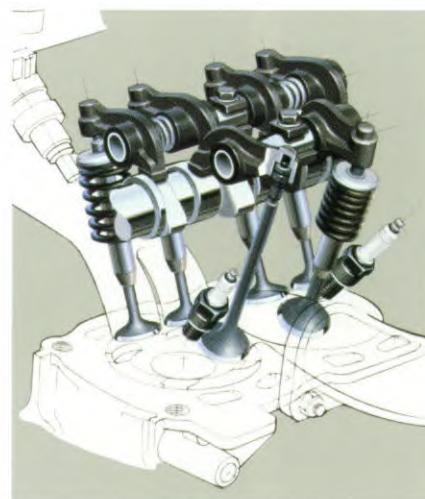
Another feature is a special resonance chamber which uses the pumping action of the intake valves in each cylinder to force additional air into the other cylinders. This resonance ram-air effect adds significantly to the 2.2L engine's broad band of torque.

### PROBE LX: 3.0L EFI V-6

Probe LX's standard V-6 is smooth and powerful. This superbly engineered overhead-valve engine generates nearly 80 percent of its 160 lbs.-ft. of torque at only 1000 rpm.

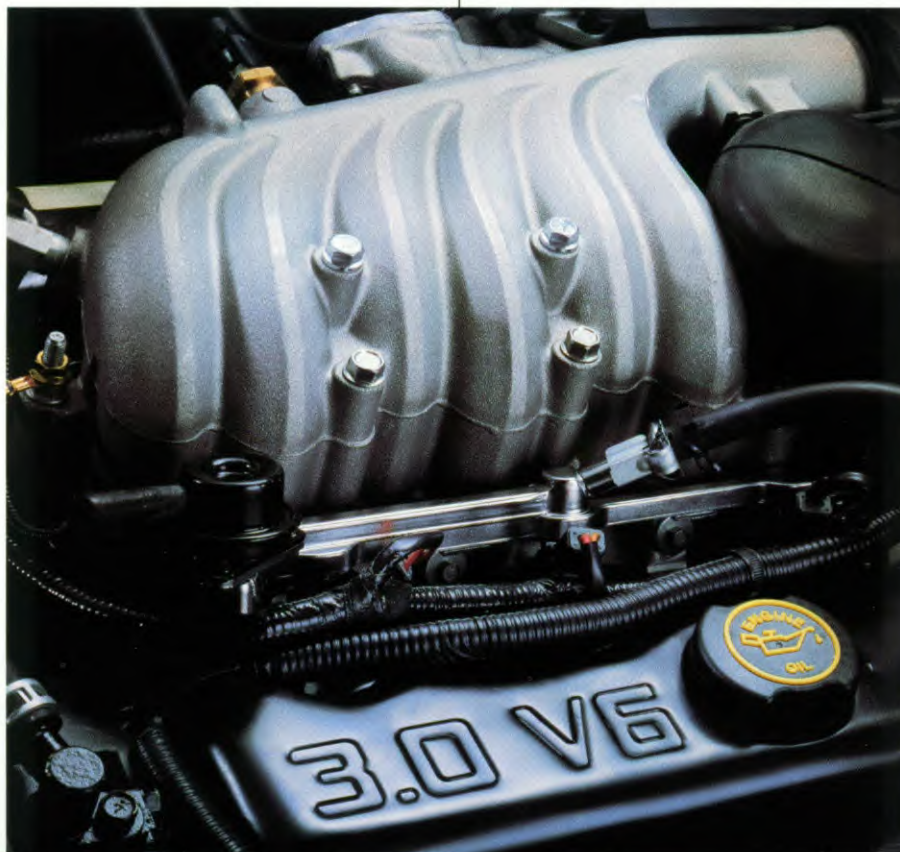
The 3.0L's relatively high 9.3:1 compression ratio is due in large part to the efficient breathing of a patented combustion chamber design with center-mounted spark plugs, created with the aid of computers to produce a clean, rapid burn of the fuel-air mixture.

The 12-in. air intake runners are carefully tuned to balance high-end power and low-end torque. The fuel, precisely metered by a multi-port electronic injection system, is mixed with the air just millimeters away from the intake ports.



▲ The 2.2L I-4 engine features three valves per cylinder—two for intake, one for exhaust. This multi-valve arrangement improves fuel-air flow and power output. It's naturally aspirated in Probe GL; turbocharged in Probe GT.

▼ The 3.0L V-6 is standard in Probe LX. Among the many features of this high-compression, high-torque powerplant are overhead valves, 12-in. tuned air intake runners, and a multi-port electronic fuel injection system controlled by Ford's sophisticated EEC-IV computer.



Fuel-air mixture control, as well as ignition timing and many other engine functions, is governed by Ford's sophisticated EEC-IV computer with 32K memory.

### PROBE GT: 2.2L EFI TURBO I-4

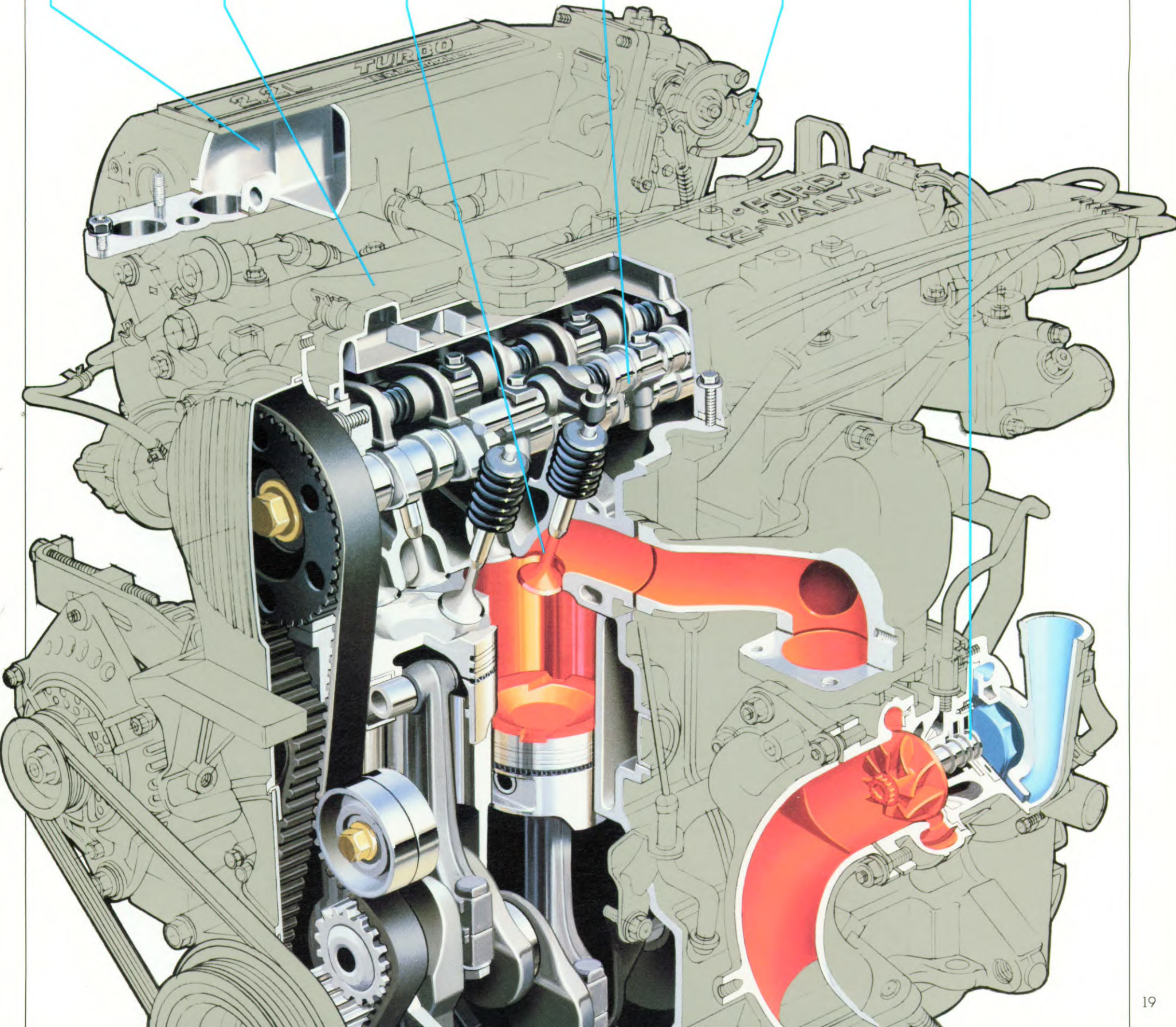
Responsive high-speed pressurizing of the intake air is created by a turbocharging system that is state-of-the-art in design. GT's turbocharger is capable of delivering on-demand boost of power with virtually none of the spool-up lag that's typical of many turbos.

The air-to-air intercooler, a feature not all turbo engines have, lowers the high induction temperature of the pressurized air from the turbocharger. The cooler, denser air permits greater ignition timing spark advance. And, containing more oxygen, it can be mixed with a larger amount of fuel to generate more horsepower.

Another major component in the turbo system is the engine control computer. The microprocessor regulates the amount of turbo boost under widely varying conditions, and even allows for brief bursts of overboost for faster acceleration. The electronic knock sensor in the ignition system controls fuel-air detonation. The computer also automatically calibrates the engine to take advantage of premium fuel's higher octane for improved performance.

► Probe GT's 12-valve 2.2L turbo I-4 engine is equipped with an air-to-air intercooler. Not all turbo engines have this high-performance component.

- ▼ Tuned air intake plenum
- ▼ Electronic fuel injector at each intake port
- ▼ Multispherical combustion chamber with spark plug positioned near center of the cylinder head
- ▼ Three valves per cylinder—two for intake, one for exhaust
- ▼ Throttle body that regulates air flow through the intake manifold
- ▼ State-of-the-art turbo-charging system delivering on-demand power with virtually no spool-up lag



## FORD STEREO SYSTEMS

The quality of Ford audio technology comes through with outstanding stereophonic fidelity for your complete listening pleasure.

The *Electronic AM/FM Stereo Radio* delivers 20 watts of power and has full electronic tuning, including the "Seek" feature in which the tuner automatically selects and holds the next listenable station up or down the band.

Eighteen preset station memory settings (6 AM/12 FM) provide personal programming with instant recall. Other features include separate bass and treble controls, front/rear fader control, and left/right balance control.

The optional *Electronic AM/FM Stereo Radio with Cassette Player* includes all the features of the stereo radio as well as the *Premium Sound System*, which has a power amplifier with up to 80 watts of power, premium speakers, internal power amplifier equalization, and a dynamic range of 70 dB. The auto-reverse cassette player has Dolby® noise reduction plus locking fast forward and rewind.

Available with the stereo radio/cassette player is the *Ford Compact Disc Player* with its superb clarity and dynamic range. Features include direct automatic loading, a locking disc opening that prevents the accidental loading of a second disc, automatic and manual search modes, a digital display showing track number and elapsed playing time, compression, and a fifth sub-woofer speaker.



◀ *Electronic AM/FM Stereo Radio with four speakers, standard in all Probe models (may be deleted for credit).*



◀ *Electronic AM/FM Stereo Radio with Cassette Tape Player, Premium Sound System and Power Antenna.*



◀ *Electronic AM/FM Stereo Radio with Cassette Tape Player, Bi-amplified Premium Sound System with Sub-woofer Speaker and Amplifier, Compact Disc Player, and Power Antenna.*



*Dolby® is a registered trademark of Dolby Laboratories Licensing Corp.*

# PREFERRED EQUIPMENT PACKAGES AND OPTIONS

PREFERRED EQUIPMENT PACKAGES (Package contents are subject to change) ■ = Included in package S = Standard 0 = Optional	GL		LX		GT	
	250A	251A	252A	253A	260A	261A
2.2L EFI I-4 engine	S	S				
3.0L EFI V-6 engine			S	S		
2.2L EFI turbo I-4 engine					S	S
5-speed manual transaxle	S	S	S	S	S	S
P185/70R14 BSW tires	S	S				
P195/70R14 BSW tires			S	S		
P205/60VR15 BSW performance tires with 15" aluminum wheels					S	S
Tinted glass(1)		■	S	S	S	S
Tilt steering column and cluster		■	S	S	S	S
Rear window defroster	0	■	S	S	S	S
Convenience group: interval windshield wipers; dual electric remote-control mirrors; plus glove box light, underhood light, fade-to-off dome lamp, headlamps-on warning light		■	S	S	S	S
Electronic instrument cluster (see page 12)				■		
Electronic control air conditioner				■		■
Cargo tie-down net				■		■
Illuminated entry system				■		■
Power driver's seat				■		■
Trip computer (see page 12)				■		■
Vehicle maintenance monitor (see page 12)				■		■
Rear window washer/wiper				■		■
Passenger side "walk-in" feature (to rear compartment)				■		■
Power windows(2)			0	■	0	■
Speed control		0	0	■	0	■
Power door locks(3)		0	0	■	0	■
Electronic AM/FM stereo radio with cassette tape player, premium sound system, power antenna	0	0	0	■	0	■
Anti-lock braking system			0	0	0	■
Dual illuminated visor mirrors			S	S		■
<b>Other options</b>						
Manual air conditioning	0	0	0		0	
Leather seating surfaces			0	0	0	0
Electronic 4-speed automatic overdrive transaxle	0	0	0	0	0	0
Flip-up open air roof(4)			0	0	0	0
Aluminum wheels with P195/70HR14 BSW tires	0	0				
Aluminum wheels with P205/60HR15 BSW tires			0	0		
Electronic AM/FM stereo radio with cassette tape player, premium sound system, compact disc player, power antenna		0	0	0	0	0
Radio credit option	0	0				

## MAJOR STANDARD FEATURES

### EXTERIOR

- Concealed/retractable halogen headlamps
- Tinted rear window and quarter window glass
- Wraparound quarter windows with flush glass over concealed center and rear pillars
- Dual outside mirrors (manual on GL; electric remote-control on LX and GT)
- Protective bodyside moldings (GL and LX)
- Aero-design protective cladding with integral rocker panel moldings/spats and bodyside moldings (GT)
- Unique front fascia with fog lamps (GT)
- Unique rear end treatment with spoiler (GT)

### INTERIOR

- Reclining front bucket seats with 2-way headrests
- Seat trim: deluxe (GL); luxury (LX); sport (GT)
- Driver's seat vertical height adjustment
- Driver's seat manual adjustment for tilt, lumbar support and side bolsters (LX and GT)
- Door trim: all vinyl (GL); cloth inserts and map pockets (LX); carpeted lower sections and map pockets (GT)
- Leather-wrapped steering wheel and shift knob (LX and GT)
- Automatic front shoulder belt restraint system with manual lap belts
- 50/50 split fold-down rear seats with lap/shoulder belts
- Electronic AM/FM stereo radio with digital clock and four speakers
- Driver-oriented instrument cluster with tachometer, fuel gauge, engine temperature gauge, ammeter, turbo boost gauge (GT only), oil pressure gauge, low oil light (LX and GT only), and trip odometer
- Side window demisters on door panels
- Cargo area cover (hinged and removable)

### TECHNICAL

- Unitized frame construction with separate front subframe
- Front-wheel drive
- Computer-controlled multi-port electronic fuel injection
- 4-wheel independent suspension system with stabilizer bars (computerized automatic adjusting system in GT)
- Steering: power rack-and-pinion (GL and LX); variable power-assist, speed-sensitive (GT)
- Brakes: power front disc/rear drum (GL); power 4-wheel disc (LX and GT)

(1) Available for GL Package 250A with optional manual air conditioner. (2) Require optional power door locks. (3) Require optional power windows on LX and GT. (4) Requires optional air conditioner in Packages 252A (LX) and 260A (GT).

# SPECIFICATIONS, COLORS & TRIMS, DIMENSIONS

## PROBE GL SPECIFICATIONS

Drivetrain	Front-wheel drive
Engine type	2.2 liter 12-valve in-line 4-cylinder
Compression ratio	8.6:1
Induction system	Multi-port electronic fuel injection
Horsepower, SAE net	110 @ 4700 rpm
Torque, SAE net	130 @ 3000 rpm
Coefficient of drag (Cd)	0.308
Transaxle	Std. 5-speed manual overdrive Opt. 4-speed electronic automatic overdrive
Clutch	Single plate
Front suspension	Independent, MacPherson struts/coil springs, asymmetrical control arms, stabilizer bar
Rear suspension	Independent, MacPherson struts/coil springs, 4-bar with single trailing arm, stabilizer bar
Steering	Power rack-and-pinion, 17.1:1 ratio
Turning diameter (curb-to-curb)	37.4 ft.
Brakes	10.4" vented front discs/9.0" rear drums, power-assisted
Wheel covers	Std. deluxe
Wheels/tires	Std. steel wheels with P185/70R14 BSW steel-belted radial tires Opt. aluminum wheels with P195/70HR14 BSW steel-belted radial tires
Spare tire	T125/70D15 mini-spare

## PROBE LX SPECIFICATIONS

Drivetrain	Front-wheel drive
Engine type	3.0 liter V-6
Compression ratio	9.3:1
Induction system	Multi-port electronic fuel injection
Horsepower, SAE net	140 @ 4800 rpm
Torque, SAE net	160 @ 3000 rpm
Coefficient of drag (Cd)	0.308
Transaxle	Std. 5-speed manual overdrive Opt. 4-speed electronic automatic overdrive
Clutch	Single plate
Front suspension	Independent, MacPherson struts/coil springs, asymmetrical control arms, stabilizer bar
Rear suspension	Independent, MacPherson struts/coil springs, 4-bar with single trailing arm, stabilizer bar
Steering	Power rack-and-pinion, 17.1:1 ratio
Turning diameter (curb-to-curb)	37.4 ft.
Brakes	Std. 10.4" vented front discs/10.2" rear discs, power-assisted Opt. computer-controlled anti-lock brake system
Wheel covers	Std. luxury
Wheels/tires	Std. steel wheels with P195/70R14 BSW steel-belted radial tires Opt. aluminum alloy wheels with P205/60HR15 BSW steel-belted radial performance tires
Spare tire	T125/70D15 mini-spare

## PROBE GT SPECIFICATIONS

Drivetrain	Front-wheel drive
Engine type	2.2 liter 12-valve in-line 4-cylinder with turbocharger and intercooler
Compression ratio	7.8:1
Induction system	Multi-port electronic fuel injection
Horsepower, SAE net	145 @ 4300 rpm
Torque, SAE net	190 @ 3500 rpm
Coefficient of drag (Cd)	0.312
Transaxle	Std. 5-speed manual overdrive Opt. 4-speed electronic automatic overdrive
Clutch	Single plate
Front suspension	Independent, MacPherson type with handling components package including higher-rate springs, stiffer bushings, larger stabilizer bar; computerized automatic-adjusting nitrogen gas-pressurized struts
Rear suspension	Independent, MacPherson type with handling components package including higher-rate springs, stiffer bushings, larger stabilizer bar; computerized automatic-adjusting nitrogen gas-pressurized struts
Steering	Computer-controlled speed-sensitive, variable-assist power, 17.1:1 ratio
Turning diameter (curb-to-curb)	38.7 ft.
Brakes	Std. 10.4" vented front discs/10.2" rear discs, power-assisted Opt. computer-controlled anti-lock brake system
Wheels/tires	Aluminum alloy wheels with P205/60VR15 BSW steel-belted radial performance tires
Spare tire	T125/70D15 mini-spare

Based on 1990 MVMA Passenger Car Specifications.

## PROBE GL AND LX COLORS & TRIMS

### Interior Trim Colors

Crystal Blue    Scarlet Red    Titanium    Sandalwood\*

### Exterior Paint Colors

				Black
X	X	X	X	Oxford White
	X	X		Bright Red
	X	X		Wild Strawberry Clearcoat Metallic
X	X	X		Light Titanium Clearcoat Metallic
X	X	X		Deep Titanium Clearcoat Metallic
			X	Light Sandalwood Clearcoat Metallic*
			X	Medium Sandalwood Clearcoat Metallic*
		X		Ultra Blue Clearcoat Metallic
X		X		Twilight Blue Clearcoat Metallic
X		X		Light Crystal Blue Clearcoat Metallic

\*Not available on Probe GL.

## PROBE GT COLORS & TRIMS

### Interior Trim Colors

Scarlet Red    Titanium

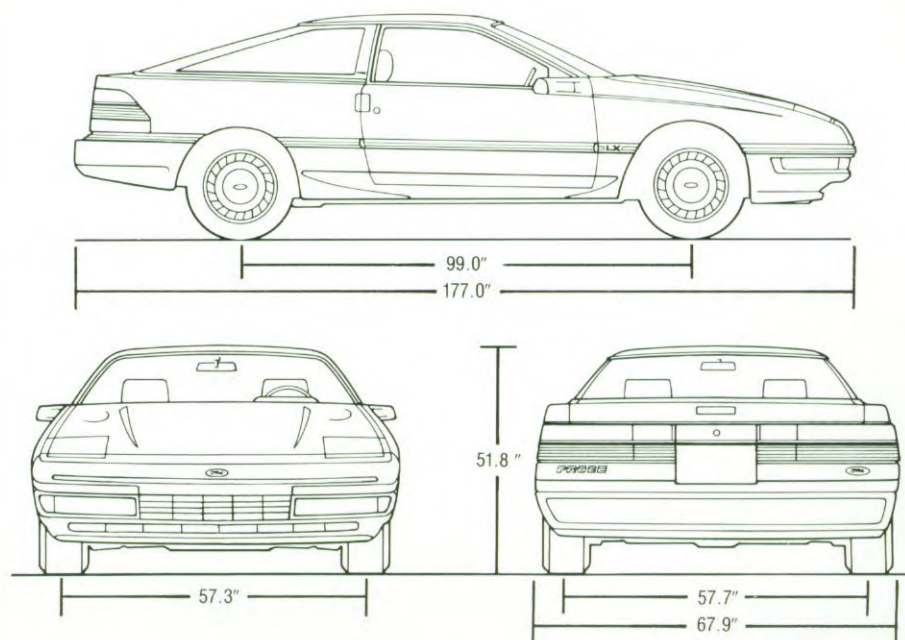
### Exterior Paint Colors

		Black
X	X	Oxford White
X	X	Bright Red
	X	Light Titanium Clearcoat Metallic
X	X	Deep Titanium Clearcoat Metallic
	X	Twilight Blue Clearcoat Metallic

## MEASUREMENTS

	Hatchback
Wheelbase	99.0"
Length	177.0"
Height (design load weight)	51.8"
Width	67.9**
Front tread	57.3"
Rear tread	57.7"
Cargo volume (cu. ft.)—Rear seat up	11.9
—Rear seat down	41.9**
Fuel capacity (gal.)	15.1
Passengers	4

\*68.3" for GT.    \*\*41.9 cu. ft. in GL model; 40.9 in LX and GT.    Based on 1990 MVMA passenger car specifications.



## SAFETY AND OWNER BENEFITS

Ford Motor Company strongly encourages all passengers to use their safety belts. In the 1990 Probe, an automatic shoulder belt restraint system with manual lap belts for the driver and front seat passenger is standard in all models.



Ford also urges the use of child and infant restraints. Ford's easy-to-install Tot-Guard (for children 20 to 50 pounds) is available at all Ford Dealers. If a child restraint requires a top- tether, Probe provides for attachment of an anchor at each rear seating position.

### FORD LIFEGUARD DESIGN SAFETY FEATURES

#### Vehicle operation

- Split service hydraulic brake system with warning light
- Corrosion-resistant brake lines
- Flash-to-pass headlamps
- Turn indicator lever with lane-changing signal feature
- Hazard warning flasher
- Backup lamps
- Side marker lamps
- Parking lamps coupled with headlamps
- High-mount stop lamp
- Two-speed or variable-speed windshield wipers
- Fluidic windshield washers
- Dual outside rearview mirrors
- Glare-reduced instrument panel, windshield wiper arms and windshield pillars
- Uniform transaxle shift quadrant with safety starting switch (automatic transaxle)
- Clutch or neutral interlock for starter motor (manual transaxle)
- Continuously variable control illumination intensity (instrument cluster lighting)
- Safety hood latch system
- Responsive windshield defroster system
- Tamper-resistant (non-reversing) odometer
- 55-mph highlighted speedometer (on cars with analog speedometer)
- Impact-activated fuel pump shut-off switch for electronic fuel-injected engines

#### Occupant protection

- Safety-designed front end structure
- Safety-designed roof structure
- Steel guard rails in side doors
- Safety-designed door hinges
- Front automatic shoulder belt restraint system with manual lap safety belts
- Visual and audible safety belt fastening reminders for the driver's seat
- Integral lap and shoulder belts for rear seating positions
- Energy-absorbing steering column and steering wheel
- Energy-absorbing armrests and safety-designed door handles
- Energy-absorbing instrument panel with padding
- Energy-absorbing sun visors
- Energy-absorbing front seat back tops
- Self-locking front seat back latches
- Head restraints for front occupants
- Safety glove box latch
- Impact-absorbing laminated safety glass windshield
- Flame-resistant interior materials
- Safety-designed coat hooks
- Safety-designed radio control knobs and push buttons

#### Anti-theft

- Locking steering column with audible key reminder
- Visible Vehicle Identification Number (VIN)
- Inside hood release

### 6-YEAR/60,000-MILE POWERTRAIN WARRANTY

Covers you and future owners with no transfer cost for 6 years or 60,000 miles, whichever comes first. This limited warranty covers major powertrain components. Ask your dealer for a copy of this warranty.

### 6-YEAR/100,000-MILE CORROSION WARRANTY

Probe's corrosion warranty coverage for outer body panel rust-through is 6 years or 100,000 miles, whichever comes first. See your dealer for details and a copy of this limited warranty.

### SCHEDULED MAINTENANCE

Here are some examples of normal scheduled maintenance intervals for the

1990 Probe. For complete maintenance recommendations, refer to the Maintenance Schedule and Record Log.

Engine oil change . . . . .	each 7,500 miles or 6 months (5,000 miles or 6 months for turbo engine)
Spark plug change . . . . .	each 30,000 miles
Air filter replacement . . . . .	each 30,000 miles
Engine coolant replacement . . . . .	each 30,000 miles or 3 years

### DAMAGE RESISTANCE

Ford equips Probe with impact-resistant front and rear bumpers that meet the damageability requirements of the Federal Bumper Standards at 5 mph (exceeding the Standards' 2½-mph requirement).

### FORD DEALER QUALITY COMMITMENT

The Ford Quality Commitment extends beyond the factory to every facility where Ford products are sold worldwide. Your Dealer knows that making your satisfaction his top priority is part of the total team effort. To him, "Quality is Job 1" means putting the customer first.



Participating Ford Dealers offer the Lifetime Service Guarantee, which guarantees their customer-paid work on your new or used Ford vehicle for as long as you own it. A covered repair is paid for once. If it ever has to be fixed again, the repairing dealer will fix it free. Ask to see a copy of the Lifetime Service Guarantee when you visit your participating Ford Dealer.



Optional Ford Extended Service Plans cover major components on new Ford cars and light trucks for longer than the vehicle's basic warranty. Your Ford Dealer has full details.

### Motorcraft QUALITY REPLACEMENT PARTS FROM FORD

Genuine Ford and Motorcraft original equipment replacement parts meet the same high standards as those installed in production.



The leasing alternative is available to qualified lessees through your participating Ford Dealer, who can arrange a Red Carpet Lease® tailored to your circumstances through Ford Credit. A variety of financing plans are also available.

### OPTIONS AVAILABILITY

Options shown or described in this catalog are available at extra cost and may be offered only in combination with other options or subject to additional ordering requirements or limitations.

### PRODUCT CHANGES

Ford Division reserves the right to change product specifications at any time without incurring obligations.

### "ASK YOUR FORD DEALER"

Following publication of this catalog, certain changes in standard equipment, options, prices and the like, or product delays, may have occurred which would not be included in these pages. See your dealer for up-to-date information.

---

**Best-Built American Cars.**



**Based on an average of owner-reported problems in a series of surveys of '81-'89 models designed and built in North America.**