

2019

Q50



**INFINITI**®

EMPOWER THE DRIVE™

# EMPOWER THE DRIVE

For those who dare to define themselves beyond the usual measures, there's INFINITI – a spirit of daring that challenges the limits of what's possible. See this take shape on the Q50, where class-leading available power makes acceleration effortless and drive assist technologies not only expand control, they empower you with confidence.<sup>1,2</sup> Begin by defining your Q50 for your personal journey. Every selection is designed to move, inspire and empower the drive.

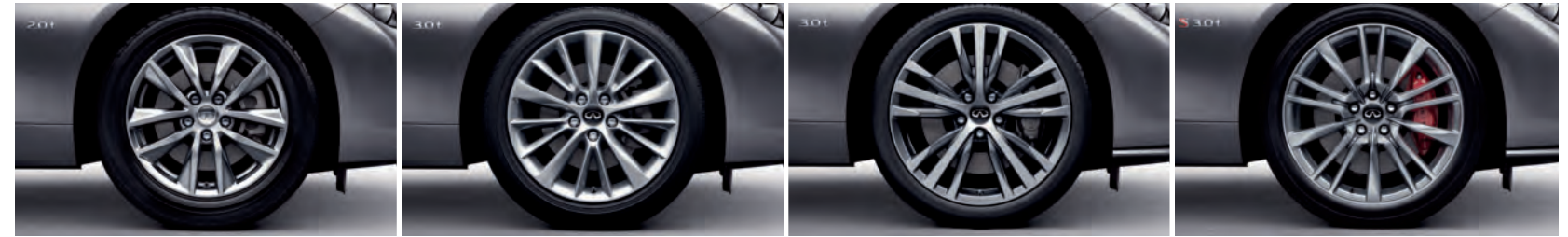


**REFLECT YOUR NATURAL POWER** Sharpened lines, intensified headlights and taillights distinguish the chiseled front and rear of the INFINITI Q50. To make your most powerful statement, the front fascia of the Q50 3.0t SPORT<sup>1</sup> and Q50 RED SPORT 400<sup>1</sup> bears bold edges and aggressive openings. The rear bumper features a sport-inspired diffuser to improve aerodynamics and eliminate lift.

**ACCELERATE TO THE REDLINE** Feel the thrill as the combination of turbo power and innovation heightens your performance. The experience is propelled from an award-winning engine in two variants, including the electrifying 3.0-liter twin-turbo V6<sup>1</sup> – available with 300-hp<sup>1</sup> or exhilarating 400-hp in the Q50 RED SPORT 400, with its signature red "S" badging.<sup>1,2</sup>



## WHEEL CHOICES



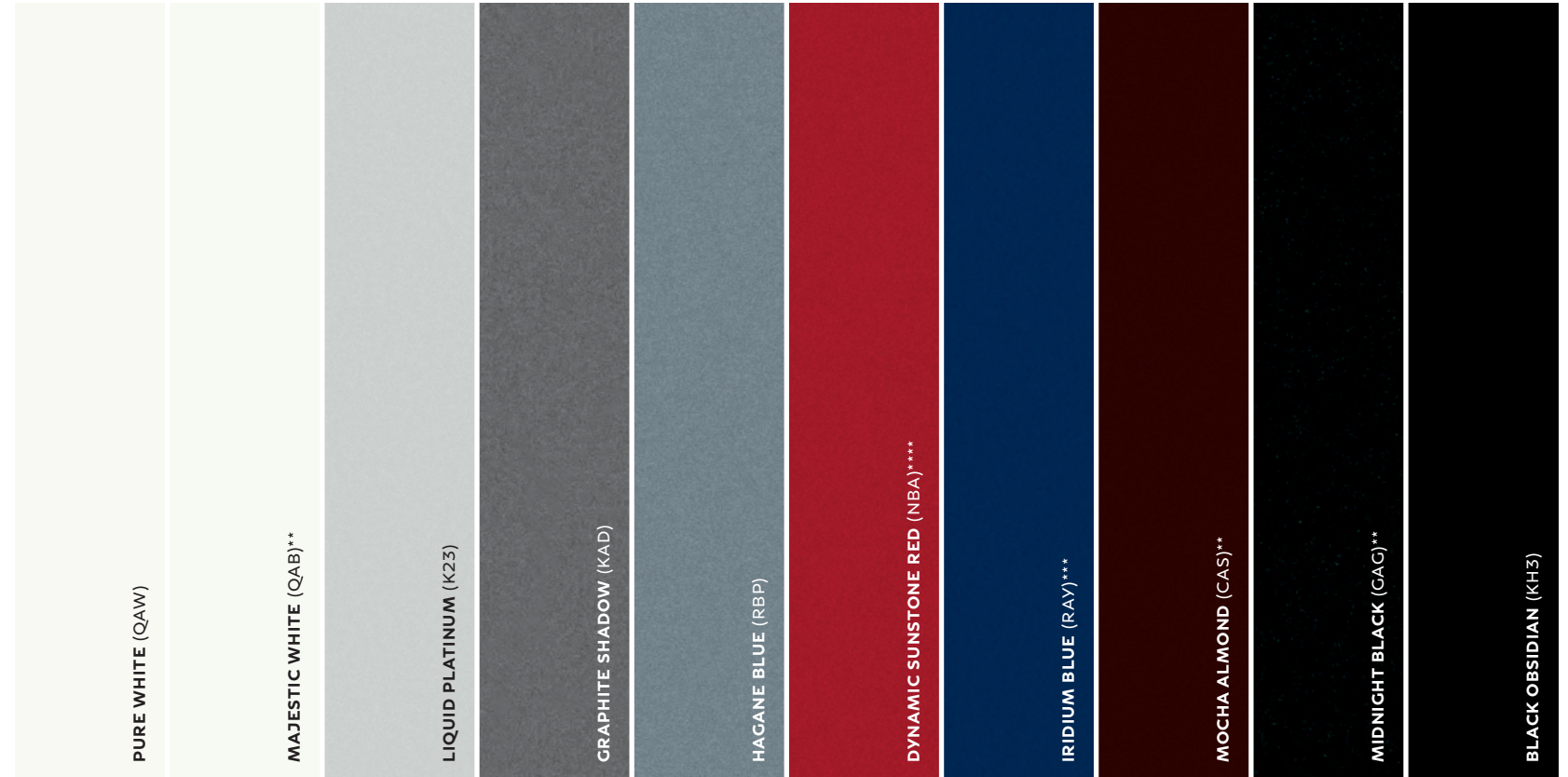
17 X 7.5-INCH SPLIT 5-SPOKE ALUMINUM-ALLOY WHEELS

18 X 7.5-INCH ALUMINUM-ALLOY WHEELS\*\*

19 X 8.5-INCH SPORT-DESIGN TRIPLE 5-SPOKE ALUMINUM-ALLOY WHEELS\*\*

19 X 9.0-INCH FRONT, 19 X 9.5-INCH REAR STAGGERED ALUMINUM-ALLOY SPORT WHEELS\*

## EXTERIOR COLORS\*



\*INFINITI has taken care to ensure that the color swatches presented here are the closest possible representations of actual vehicle colors. Swatches may vary slightly due to the printing process and whether viewed in daylight, fluorescent or incandescent light. Please see the actual colors at your local INFINITI Retailer. \*\*Additional cost applies for this option. \*\*\*Q50 3.0t SPORT and Q50 RED SPORT 400 models only. Additional cost applies for this option. \*\*\*\*Q50 RED SPORT 400 models only. Additional cost applies for this option. \*Q50 RED SPORT 400 models only. Additional cost applies for this option. AWD models receive 19 x 9.0-inch rear wheels.

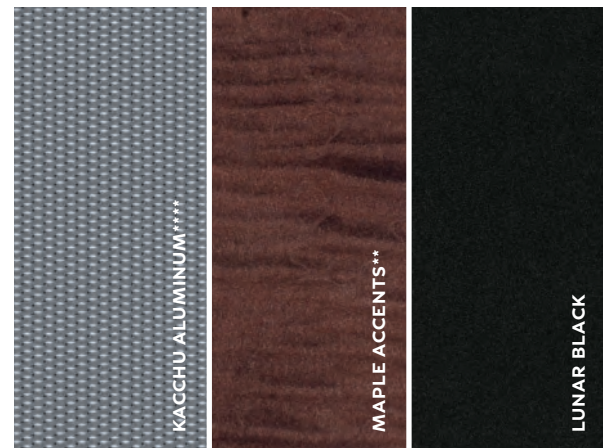
## ADD DISTINCTION



### INTERIOR COLORS\*



### INTERIOR TRIM\*



\*INFINITI has taken care to ensure that the color swatches presented here are the closest possible representations of actual vehicle colors. Swatches may vary slightly due to the printing process and whether viewed in daylight, fluorescent or incandescent light. Please see the actual colors at your local INFINITI Retailer. \*\*Additional cost applies for this option. \*\*\*Q50 RED SPORT 400 models only. \*\*\*\*Available on Q50 3.0t SPORT and Q50 RED SPORT 400 models only.

## ENHANCE YOUR CAPABILITIES

How will your Q50 come to life? Engineered to amplify the driver, it offers bold ideas for the driven. Tailor the interior to your personality. Accent the space to your taste. Lead with technologies<sup>1</sup> that challenge conventions of what a sport sedan – and you as its driver – can achieve.

**JOURNEY WITH EASE** When technology advances to enhance the driver, you can cruise easier, follow smarter and anticipate the unexpected. INFINITI drive assist technologies in the ProACTIVE Package<sup>3</sup> employ the same technical innovations that will inspire and empower us in the future. When activated, they react to traffic, to help you brake for cars ahead, accelerate to your preset pace, and even help you steer straight in your lane.

**MANEUVER WITH CONFIDENCE** Equip yourself with standard safety innovations that help you see and respond to danger. INFINITI world's first Predictive Forward Collision Warning<sup>3</sup> enables your Q50 to monitor the vehicle in front of you and the one in front of that one. Looking ahead, Forward Emergency Braking<sup>4</sup> helps watch for vehicles in your path. Opt for the ProASSIST Package<sup>1</sup> and Backup Collision Intervention<sup>1,5</sup> can warn you if it detects approaching vehicles or large stationary objects, and can apply brakes to help avoid a collision.

**FEEL REFINEMENT** Even at a glance, the dedication in every detail is evident: Silver double-stitching on the dashboard, gear shifter and leatherette seats. Piano black inlaid INFINITI logo on the shifter. Lunar black interior trim. To take the feeling to greater heights, select 3.0t LUXE<sup>1</sup> for Maple wood interior trim, or 3.0t SPORT<sup>1</sup> for leather-appointed sport seats and Kacchu aluminum trim. Or go for the ultimate with exclusive red contrast stitching and quilted, semi-aniline leather-appointed seating in the RED SPORT 400<sup>1</sup>.

**SENSE THE DIFFERENCE** The Q50 redefines your command at the wheel – and the sensations that come with it. Feel power at your fingertips with dynamic steering wheel-mounted paddle shifters<sup>1</sup> (3.0t SPORT). With the Sensory Package<sup>1</sup> now standard on 3.0t SPORT<sup>1</sup>, hear the rich concert-like sound of the Bose® Performance Series audio system. See how enhanced ambient lighting<sup>1</sup> casts a dramatic glow in the interior. And hold personalized comfort in your hands with the power tilt and telescoping steering column.<sup>1</sup>



# TRIM LEVELS & PACKAGES

Q50 2.0t PURE	Q50 3.0t LUXE	Q50 3.0t SPORT		Q50 RED SPORT 400
<ul style="list-style-type: none"> <li>• 200-hp 2.0-liter turbocharged I4 engine with Idle Stop/Start</li> <li>• 7-speed automatic transmission</li> <li>• Manual shift mode with Downshift Rev Matching</li> <li>• Vehicle speed-sensitive power steering</li> <li>• Zero-lift aerodynamics</li> <li>• LED signature headlights, fog lights and turn signals</li> <li>• Welcome lighting</li> <li>• Front door touch unlock</li> <li>• 17-inch split 5-spoke aluminum-alloy wheels</li> <li>• RearView Monitor<sup>6</sup></li> <li>• INFINITI InTouch™ dual screen display<sup>7</sup></li> <li>• INFINITI InTuition™ for storing climate, audio and driving preferences<sup>7</sup></li> <li>• INFINITI Intelligent Key with Push Button Start</li> <li>• INFINITI Drive Mode Selector</li> <li>• Bluetooth® Hands-free Phone System and audio streaming<sup>7</sup></li> <li>• SiriusXM® Radio<sup>7</sup></li> <li>• SiriusXM® Travel Link with 4-year complimentary trial access<sup>7</sup></li> <li>• Heated outside mirrors</li> <li>• Rain-sensing wipers</li> <li>• Auto-dimming rear-view mirror</li> <li>• Leatherette seats</li> <li>• Leather-wrapped 3-spoke steering wheel</li> <li>• Aluminum trim on center console and doors</li> <li>• Aluminum interior accents</li> <li>• 8-way power adjustable front seats</li> </ul>	<p><b>Includes Q50 2.0t PURE standard features, plus:</b></p> <ul style="list-style-type: none"> <li>• Dual Zone Automatic Temperature Control System</li> <li>• 2 USB ports<sup>8</sup></li> <li>• Forward Emergency Braking (FEB)<sup>4</sup></li> <li>• Predictive Forward Collision Warning (PFCW)<sup>3</sup></li> <li>• INFINITI Advanced Air Bag System<sup>9</sup></li> <li>• Rear-Wheel Drive or INFINITI Intelligent All-Wheel Drive</li> </ul> <p><b>Optional Packages: 1 2</b></p>	<p><b>Includes Q50 3.0t LUXE standard features, plus:</b></p> <ul style="list-style-type: none"> <li>• 300-hp 3.0-liter twin-turbo V6 engine</li> <li>• Rack Electronic Power Steering</li> <li>• 18-inch aluminum-alloy wheels</li> <li>• 225/50R18 all-season run-flat tires</li> <li>• Power sliding/tilting moonroof</li> <li>• Chrome front fascia finishers</li> <li>• 3.0t fender badge</li> <li>• Maple wood interior trim</li> <li>• HomeLink® Universal Transceiver</li> <li>• Rear-Wheel Drive or INFINITI Intelligent All-Wheel Drive</li> </ul> <p><b>Optional Packages: 1 2</b></p>	<p><b>Includes Q50 3.0t LUXE standard features, plus:</b></p> <ul style="list-style-type: none"> <li>• 19-inch Sport-design triple 5-spoke aluminum-alloy wheels</li> <li>• 245/40R19 performance run-flat tires</li> <li>• Sport brakes with silver-painted calipers</li> <li>• Sport front and rear fascias</li> <li>• Silver "S" trunk badge</li> <li>• Dynamic Digital Suspension</li> <li>• Steering wheel-mounted paddle shifters</li> <li>• Bose® Performance Series Audio 16-speaker stereo with Bose® Centerpoint® simulated surround</li> <li>• Advanced Climate Control System (ACCS) with auto recirculation, Plasmacluster® air purifier and Grape Polyphenol Filter<sup>10</sup></li> <li>• Enhanced ambient lighting</li> <li>• Entry/Exit assist for driver's seat and steering wheel</li> <li>• Heated steering wheel</li> <li>• Heated front seats</li> <li>• 60/40-split fold-down rear seat with center armrest</li> <li>• INFINITI InTouch™ Navigation with Lane Guidance and 3D building graphics<sup>7</sup></li> <li>• INFINITI InTouch™ Services with complimentary 4-year Select &amp; 1-year Premier trial packages<sup>7</sup></li> <li>• SiriusXM® Traffic with 4-year complimentary trial access<sup>7</sup></li> <li>• Voice Recognition for navigation functions, including one-shot voice destination entry</li> <li>• Around View® Monitor (AVM) with Moving Object Detection (MOD)<sup>11</sup></li> <li>• Blind Spot Warning (BSW)<sup>12</sup></li> </ul> <p><b>Optional Packages: 4 6</b></p>	<p><b>Includes Q50 3.0t LUXE standard features, plus:</b></p> <ul style="list-style-type: none"> <li>• 400-hp 3.0-liter twin-turbo V6 engine</li> <li>• Exclusive 19-inch aluminum-alloy Sport wheels</li> <li>• Sport front and rear fascias</li> <li>• Sport fast ratio electronic power steering</li> <li>• Sport brakes with red-painted calipers</li> <li>• Exclusive dual exhaust tips with brushed satin finish</li> <li>• Dynamic Digital Suspension</li> <li>• Red "S" exterior badging and black side mirror covers</li> <li>• INFINITI InTouch™ Navigation with Lane Guidance, 3D building graphics and voice recognition<sup>7</sup></li> <li>• INFINITI InTouch™ Services with complimentary 4-year Select &amp; 1-year Premier trial packages<sup>7</sup></li> <li>• SiriusXM® Traffic with 4-year complimentary trial access<sup>7</sup></li> <li>• Remote Engine Start System<sup>14</sup></li> <li>• Blind Spot Warning (BSW)<sup>12</sup></li> <li>• Backup Collision Intervention (BCI)<sup>5</sup></li> <li>• Around View® Monitor (AVM) with Moving Object Detection (MOD)<sup>11</sup></li> <li>• Front and Rear Sonar System<sup>13</sup></li> <li>• Quilted, semi-aniline leather-appointed sport seats with red contrast stitching</li> <li>• Dark metallic steering wheel-mounted paddle shifters</li> <li>• Kacchu aluminum interior trim</li> <li>• Aluminum sport pedals</li> <li>• Driver's seat with power lumbar and side bolsters</li> <li>• 60/40-split fold-down rear seat with center armrest</li> <li>• Rear-Wheel Drive or INFINITI Intelligent All-Wheel Drive</li> </ul> <p><b>Optional Packages: 3 4 5 6</b></p>

## PACKAGES

- 1 Essential Package**  
(Optional on Q50 3.0t LUXE models.)
- INFINITI InTouch™ Navigation with Lane Guidance, 3D building graphics and voice recognition<sup>7</sup>
  - INFINITI InTouch™ Services with complimentary 4-year Select & 1-year Premier trial packages<sup>7</sup>
  - Voice recognition for navigation functions, including one-shot voice destination entry
  - SiriusXM® Traffic with 4-year complimentary trial access<sup>7</sup>
  - 60/40-split fold-down rear seat with center armrest
  - Heated steering wheel
  - Heated front seats
  - Driver's seat with power lumbar and side bolsters
  - Remote Engine Start System<sup>14</sup>

- 2 ProASSIST Package**  
Requires Essential Package on Q50 3.0t LUXE models.  
(Standard on Q50 3.0t SPORT and RED SPORT 400 models.)
- Blind Spot Warning (BSW)<sup>12</sup>
  - Backup Collision Intervention (BCI)<sup>5</sup>
  - Around View® Monitor (AVM) with Moving Object Detection (MOD)<sup>11</sup>
  - Front and Rear Sonar System<sup>13</sup>

- 3 Sensory Package**  
Requires INFINITI Radiant Illuminated Kick Plates.  
(Standard on Q50 3.0t SPORT models. Only available on Q50 RED SPORT 400 models.)
- Bose® Performance Series Audio 16-speaker stereo with Bose® Centerpoint® simulated surround
  - Power tilt and telescoping steering column
  - Dual-occupant memory system for driver's seat, steering column and outside mirrors
  - Auto-dimming outside mirrors with reverse tilt-down feature
  - Entry/Exit assist for driver's seat and steering wheel
  - Advanced Climate Control System (ACCS) with auto recirculation, Plasmacluster® air purifier and Grape Polyphenol Filter<sup>10</sup>
  - Enhanced ambient lighting

- 4 ProACTIVE Package**  
Requires INFINITI Radiant Grille Emblem on Q50 3.0t SPORT models. Requires Sensory Package, INFINITI Radiant Grille Emblem and INFINITI Radiant Illuminated Kick Plates on Q50 RED SPORT 400 models.
- Intelligent Cruise Control (ICC) (Full-Speed Range)<sup>15</sup>
  - Direct Adaptive Steering® (DAS)
  - Lane Departure Warning (LDW) and Lane Departure Prevention (LDP) with Active Lane Control<sup>16,17</sup>
  - Blind Spot Intervention® (BSI)<sup>12</sup>
  - Distance Control Assist (DCA)<sup>18</sup>
  - Adaptive Front lighting System (AFS) with auto-leveling headlights
  - High Beam Assist (HBA) headlights
  - Front-seat Driver/Passenger Pre-Crash Seat Belts
  - Eco Pedal

- 5 INFINITI Radiant Illuminated Kick Plates**  
Requires Sensory Package on Q50 RED SPORT 400 models.  
(Standard on Q50 3.0t SPORT. Only available on Q50 RED SPORT 400 models.)

- 6 INFINITI Radiant Grille Emblem**  
Requires ProACTIVE Package on Q50 3.0t SPORT models. Requires Sensory, ProACTIVE and INFINITI Radiant Illuminated Kick Plates on Q50 RED SPORT 400 models.  
(Available on Q50 3.0t SPORT and Q50 RED SPORT 400 models.)

# GENUINE INFINITI ACCESSORIES

Make a powerful impression. Enhance every connection and experience, inside and out. Customize your Q50 with a wide array of innovative products designed for a custom-fit and finish.<sup>19</sup> Every Genuine INFINITI Accessory is created to the same exacting standards applied to the creation of your INFINITI vehicle so you can confidently transform your Q50. For more information and to shop online for Genuine INFINITI Accessories, go to [parts.infiniti.com](http://parts.infiniti.com).



**ALL-SEASON FLOOR MATS/CARPETED FLOOR MATS/SPORT CARPETED FLOOR MATS** From the year-round, custom-made protection of a durable, long-wearing material to the high-quality construction of a plush carpet to the extra grip of a sport wheel pad design, INFINITI floor mats perform.

**INFINITI 4G WI-FI** Seamlessly and securely conduct internet activities in stationary or moving vehicle. Turn your Q50 into a roving Wi-Fi hotspot, connecting up to five Wi-Fi-enabled devices to the internet in and around the car.<sup>7</sup>

**INFINITI RADIANT ILLUMINATED KICK PLATES** The INFINITI name plate glows softly along the bottom of the front door sills – a signature flourish you and your passengers will appreciate every time you get in.

**REAR CARGO TRUNK PROTECTOR** Constructed of heavy, durable and flexible material, the trunk protector helps secure belongings when driving. Tough enough to resist scratches, spills and scuffs. Flexible enough to easily remove and clean.<sup>20</sup>

**BLACK SPORT GRILLE** Announce your arrival with an aggressive and sporty gloss-black front grille. Attention-to-detail enhances INFINITI's signature double-arch grille design into something daring.

**CARBON FIBER REAR SPOILER** Complement the agile profile with a carbon fiber-finished rear spoiler and give your Q50 an unmatched performance identity.

**ACCESSORIES SHOWN** Carbon Fiber Rear Spoiler, Carbon Fiber Side Mirror Covers, Front and Rear Splash Guards, INFINITI Radiant Grille Emblem, INFINITI Radiant External Ground Lighting.

# WHITE HOT OR COOL BLACK: RED SPORT 400

With the INFINITI Q50 RED SPORT 400,<sup>1</sup> raw performance is elevated by 21st-century technology. Inside and out, design also performs on a higher level. Semi-aniline leather-appointed seats can be outfitted in Graphite or new Gallery White, and are punctuated by red contrast stitching. It's the ultimate statement and is exclusive to the RED SPORT 400. Here, craftsmanship envelops you further with rich deep-quilted surfaces,<sup>2</sup> while dark-finished accents add to a refined aesthetic. Exclusive 19-inch alloy wheels and exhaust tips complement the performance look, but what may be most memorable is the sheer thrill of a twin-turbo V6, producing 400-hp of pure exhilaration – a feeling that colors every experience.



# TECHNICAL SPECS

## EXTERIOR DIMENSIONS

Coefficient of drag – 2.0t PURE, 3.0t LUXE / 3.0t SPORT / RED SPORT 400	0.26 / 0.28 / 0.29
Coefficient of drag – 2.0t PURE AWD / 3.0t LUXE AWD / 3.0t SPORT AWD, RED SPORT 400 AWD	0.26 / 0.27 / 0.28
Turning diameter, curb-to-curb – RWD / AWD (feet)	36.7 / 37.4

## INTERIOR DIMENSIONS

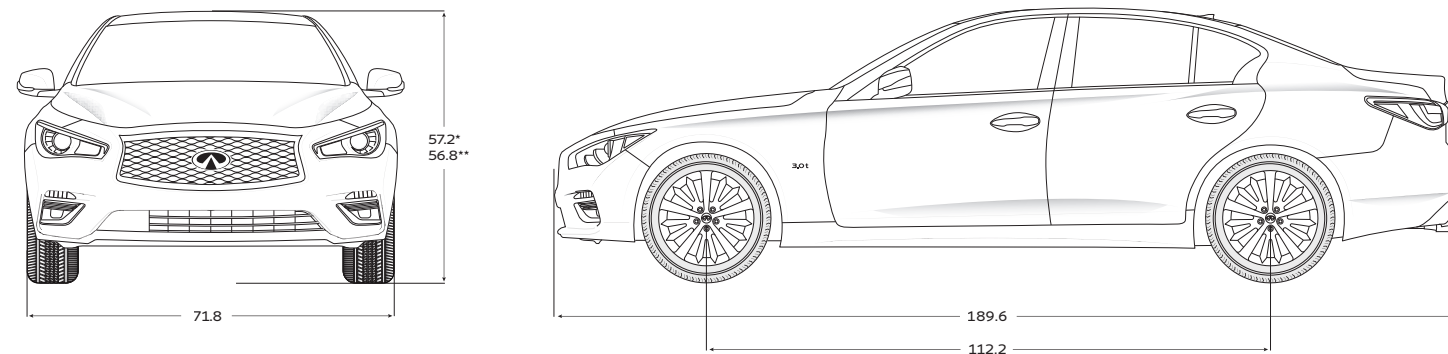
Cargo volume – 2.0t PURE / 3.0t LUXE, 3.0t SPORT, RED SPORT 400 (cubic feet)	13.2 / 13.5
Head room with moonroof – Front / Rear, without moonroof – Front / Rear (inches)	39.5 / 36.8, 40.2 / 37.5
Leg room – Front / Rear (inches)	44.5 / 35.1
Passenger volume with moonroof / without moonroof (cubic feet)	100 / 101.5

## WEIGHT AND CAPACITY

Curb weight RWD – 2.0t PURE / 3.0t LUXE / 3.0t SPORT / RED SPORT 400 (lbs)	3,671 / 3,727 / 3,778 / 3,848
Curb weight AWD – 2.0t PURE / 3.0t LUXE / 3.0t SPORT / RED SPORT 400 (lbs)	3,803 / 3,884 / 3,932 / 3,991
Fuel capacity (gallons)	20

See infinitiusa.com for complete list of specifications.

\*Q50 2.0t PURE RWD/AWD, Q50 3.0t LUXE AWD, SPORT AWD and RED SPORT 400 AWD. \*\*Q50 3.0t LUXE RWD, SPORT RWD and RED SPORT 400 RWD.



All dimensions are measured in inches.

<sup>1</sup> Available on select models. <sup>2</sup> Available on RED SPORT 400. 2018 *Wards* Lower Luxury segmentation, excluding vehicles with a starting MSRP of \$60,000 and over. 2019 INFINITI Q50 RED SPORT 400 vs. in-market 2018-2019 4-door sedan competitors. 2018 Q50 RED SPORT 400 AWD tied with Lincoln MKZ and Volvo S60. Source: Manufacturer's Website. <sup>3</sup> Predictive Forward Collision Warning cannot prevent collisions. See Owner's Manual for safety information. <sup>4</sup> Forward Emergency Braking cannot prevent all collisions and may not provide warning or braking in all conditions. Driver should monitor traffic conditions and brake as needed to prevent collisions. See Owner's Manual for safety information. <sup>5</sup> Backup Collision Intervention may not detect every object. Driver should always turn and check surroundings before driving. See Owner's Manual for safety information. <sup>6</sup> RearView Monitor may not detect every object and does not eliminate blind spots or warn of moving objects. See Owner's Manual for safety information. <sup>7</sup> Available services/features may be shown. Compatible connected device may be required. Only use services/features and device when safe and legal to do so. Subject to GPS and wireless network availability and connection, and system/technology limitations. Text rates/data usage/subscription may apply. Some services/features provided by companies not within INFINITI or its partners' or agents' control and may be discontinued at any time. For more information, see retailer, Owner's Manual, or [www.InfinitiUSA.com/intouch/important-information](http://www.InfinitiUSA.com/intouch/important-information). <sup>8</sup> Driving is serious business and requires your full attention. If you have to use the connected device while driving, exercise extreme caution at all times so full attention may be given to vehicle operation. External device not included. <sup>9</sup> Air bags are only a supplemental restraint system. Always wear your seat belt. Rear-facing child restraints should not be placed in the front-passenger's seat. All children 12 and under should ride in the rear seat properly secured in child restraints, booster seats, or seat belts according to their size. Air bags will only inflate in certain accidents. See Owner's Manual for safety information. <sup>10</sup> The Advanced Climate Control System with Plasmacluster air purifier helps scrub the air in the vehicle's interior. The system senses exterior odors, suppresses unpleasant interior odors, stops the inflow of external odors and helps keep the cabin smelling fresh, but does not always eliminate odors. <sup>11</sup> Around View Monitor with Moving Object Detection cannot eliminate blind spots and may not detect every object. Driver should always turn and check surroundings before driving. See Owner's Manual for safety information. <sup>12</sup> Blind Spot Warning/Blind Spot Intervention Systems cannot prevent collisions and may not detect every object or warn in all situations. Driver should always turn and look before changing lanes. See Owner's Manual for safety information. <sup>13</sup> Sonar System may not detect every object. Driver should always check surroundings before driving. See Owner's Manual for safety information. <sup>14</sup> State laws may apply; review local laws before using. <sup>15</sup> Intelligent Cruise Control uses limited braking and is not a collision avoidance or warning system. Driver should monitor traffic conditions and brake as needed to prevent collisions. See Owner's Manual for safety information. <sup>16</sup> Lane Departure Warning/Lane Departure Prevention Systems operate only when lane markings are detectable. See Owner's Manual for safety information. <sup>17</sup> Active Lane Control cannot prevent accidents or loss of control. It is the driver's responsibility to be in control of the vehicle at all times. ALC may not detect the lane markers in certain road, weather or driving conditions. <sup>18</sup> Distance Control Assist helps maintain a distance to the vehicle in front under certain conditions. Not a collision avoidance system. Failure to apply the brakes could result in an accident. <sup>19</sup> Covered by INFINITI's Limited Warranty on Genuine INFINITI Accessories for the longer of 12 months/12,000 miles (whichever is earlier) or the remaining period under the 4-year/60,000-mile INFINITI New Vehicle Limited Warranty. Terms and conditions apply. See Warranty Information Booklet for details. <sup>20</sup> Cargo and load capacity limited by weight and distribution. Always secure cargo. Bose is a registered trademark of Bose Corporation. The Sirius, XM, and SiriusXM names and all related marks and logos are trademarks of Sirius XM Radio Inc. All other trademarks are the property of their respective owners.

VISIT US ONLINE TO CREATE YOUR IDEAL INFINITI

[www.infinitiusa.com](http://www.infinitiusa.com)

JOIN OUR COMMUNITY, AND GET THE LATEST INFO

 [Facebook.com/infiniti](https://www.facebook.com/infiniti)

 [Twitter.com/infinitiusa](https://twitter.com/infinitiusa)

This brochure is intended for general descriptive and informational purposes only. It is subject to change and does not constitute an offer, representation or warranty (express or implied) by Nissan North America, Inc. Interested parties should confirm the accuracy of any information in this brochure as it relates to a vehicle directly with an INFINITI Retailer before relying on it to make a purchase decision. Nissan North America, Inc., reserves the right to make changes, at any time, without prior notice, in prices, colors, materials, equipment, specifications, and models and to discontinue models or equipment. Due to continuous product development and other pre- and post-production factors, actual vehicle, materials and specifications may vary from this brochure. Some vehicles shown with optional equipment. See the actual vehicle for complete accuracy. Availability and delivery times for particular models or equipment may vary. Specifications, options and accessories may differ in Hawaii, U.S. territories and other countries. For additional information on availability, options or accessories, see your INFINITI Retailer or visit INFINITI website.

Final production vehicle may vary. Always wear your seat belt, and please don't drink and drive. ©2018 INFINITI. IN-22713 Reorder #195071 (11/18, 50K, CC) ♻️ Reducing our environmental footprint is an important goal at INFINITI. That's why this brochure uses paper stock that is certified to contain a minimum of 10% post-consumer waste materials.