

2019  
Q60



**INFINITI**®

EMPOWER THE DRIVE™

# EMPOWER THE DRIVE

For those who dare to define themselves beyond the usual measures, there's INFINITI – a spirit of daring that challenges the limits of what's possible. See this take shape on the INFINITI Q60, where instinct responds to the roar of innovation with exacting moves and evocative lines. Begin by defining your Q60 for your thrilling journey. Every selection is designed to move, inspire and empower the drive.



2018 model shown

**DESIGN THE DRIVE** To inspire emotion, the Q60 expresses uninhibited power and elegance. Flowing curves and muscular proportions communicate immense potential. Signature eye-inspired LED headlights offer a vision that is both provocative and unmistakable. Opt for the Q60 RED SPORT 400<sup>1</sup> and the look turns decidedly dramatic with large 20-inch wheels, red brake calipers, sport exhaust tips and an exclusive Dynamic Sunstone Red<sup>1</sup> exterior paint.

**ACCELERATE PERFORMANCE** Every press of the accelerator pedal thrills with the rush of turbocharged power. The experience is propelled from two engine variants, including the electrifying 3.0-liter twin-turbo V6 – available with 300-hp or exhilarating 400-hp<sup>1</sup> in the Q60 RED SPORT 400<sup>1</sup>.



## WHEEL CHOICES



19 X 9.0-INCH ALUMINUM-ALLOY WHEELS



20 X 9.0-INCH FRONT, 20 X 9.5-INCH REAR STAGGERED ALUMINUM-ALLOY WHEELS\*\*\*

## EXTERIOR COLORS\*



\*INFINITI has taken care to ensure that the color swatches presented here are the closest possible representations of actual vehicle colors. Swatches may vary slightly due to the printing process and whether viewed in daylight, fluorescent or incandescent light. Please see the actual colors at your local INFINITI Retailer. \*\*Additional cost applies for this option. \*\*\*Available on Q60 RED SPORT 400 models only. Additional cost applies for this option.

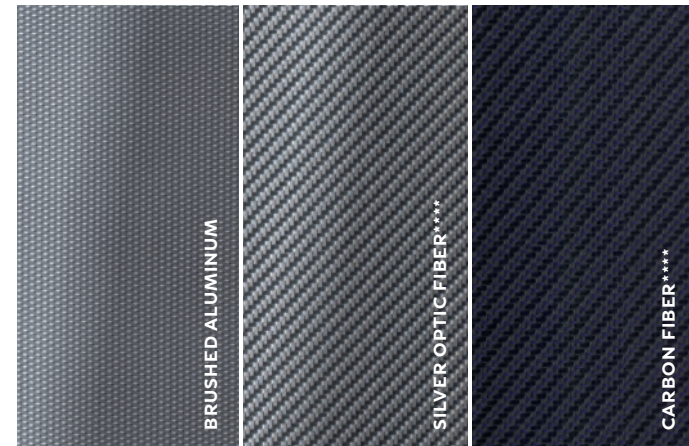
## ADD DISTINCTION



### INTERIOR COLORS\*



### INTERIOR TRIM\*



\*INFINITI has taken care to ensure that the color swatches presented here are the closest possible representations of actual vehicle colors. Swatches may vary slightly due to the printing process and whether viewed in daylight, fluorescent or incandescent light. Please see the actual colors at your local INFINITI Retailer. \*\*Additional cost applies for this option. \*\*\*Available on Q60 RED SPORT 400 only. \*\*\*\*Carbon Fiber interior trim is standard and Silver Optic Fiber interior trim is available on Q60 RED SPORT 400 only.

## ENHANCE YOUR CAPABILITIES

How will your Q60 come to life? Designed to intensify every driving sense, it offers bold ideas for the driven. Elevate your mastery of the road and traffic. Tailor the interior to your taste. Immerse yourself in sound, texture and technology that celebrate the driver as you chase the horizon.

**HANDLE EFFORTLESSLY** You can revolutionize how you drive with Direct Adaptive Steering,<sup>®1</sup> an INFINITI world's first digital steering system. Your input is translated into impulses to make steering smooth, precise and instant. You can even fine-tune it to your preference. Do the same with customizable Dynamic Digital Suspension,<sup>1</sup> which continually adjusts to corners and conditions for a more personal and responsive ride. Paired together, they offer a next-generation digitally adaptive handling system.

**SENSE THE FUTURE** The Q60 is not only inspired by the senses, it enhances yours so you can cruise easier, follow smarter and anticipate the unexpected. INFINITI drive assist technologies in the ProACTIVE Package<sup>1</sup> employ the same technological innovations that will inspire and empower us in the future. When activated, they react to traffic, to help you brake for cars ahead, accelerate to your preset pace, and even help you steer straight in your lane.

**TAILOR YOUR STORY** Step into an interior also performing on a higher level. Fine craftsmanship accentuates the human form, which you can feel from the fit of the seat. An integrated headrest and deep bolsters deliver comfort and support for a sport-driven difference. Celebrate your individuality by outfitting your Q60 RED SPORT 400<sup>1</sup> with either Monaco Red or Gallery White semi-aniline leather appointments and further accent the interior with the lustrous Silver Optic Fiber trim.<sup>1</sup>

**SET THE STAGE** Be enveloped in front-row concert sound with the Bose<sup>®</sup> Performance Series Audio System with Advanced Staging Technology.<sup>1</sup> Symphonic sound pulses through sixteen high-performance speakers, while proprietary digital processing directs each signal to the ideal speaker for a rich, nuanced "live performance" feel, no matter where you're seated.



2018 model shown

# TRIM LEVELS & PACKAGES

Q60 3.0t PURE	Q60 3.0t LUXE	Q60 RED SPORT 400
<ul style="list-style-type: none"> <li>• 300-hp 3.0-liter V6 twin-turbo engine</li> <li>• 7-speed automatic transmission</li> <li>• LED signature headlights and daytime running lights</li> <li>• LED signature taillights</li> <li>• LED front fog lights</li> <li>• 19-inch aluminum-alloy wheels</li> <li>• 255/40R19 all-season, run-flat performance tires</li> <li>• Zero-lift aerodynamics concept</li> <li>• RearView Monitor<sup>2</sup></li> <li>• Front door handle courtesy lights</li> <li>• Front door aluminum INFINITI kick plates</li> <li>• Leatherette seating</li> <li>• 8-way power adjustable front seats</li> <li>• Dual Zone Automatic Temperature Control System</li> <li>• INFINITI InTouch™ dual screen display<sup>3</sup></li> <li>• INFINITI Intelligent Key with Push Button Start</li> <li>• INFINITI Voice Recognition</li> <li>• INFINITI InTuition™ for storing convenience and driving preferences to each Intelligent key</li> <li>• SiriusXM® Travel Link with 4-year complimentary trial access<sup>3</sup></li> <li>• 2 USB ports<sup>4</sup></li> <li>• Bluetooth® Hands-free Phone System and audio streaming<sup>3</sup></li> <li>• INFINITI Drive Mode Selector</li> <li>• Rear-Wheel Drive or INFINITI Intelligent All-Wheel Drive</li> </ul>	<p><b>Includes Q60 3.0t PURE standard features, plus:</b></p> <ul style="list-style-type: none"> <li>• Forward Emergency Braking with Pedestrian Detection (PFEB)<sup>5</sup></li> <li>• Predictive Forward Collision Warning (PFCW)<sup>6</sup></li> <li>• Power sliding/tilting moonroof</li> <li>• Bose® Performance Series Audio 16-speaker stereo with Bose® Centerpoint® simulated surround</li> <li>• HomeLink® Universal Transceiver</li> <li>• Auto-dimming inside rearview mirror with compass</li> <li>• Rear-Wheel Drive or INFINITI Intelligent All-Wheel Drive</li> </ul> <p><b>Optional Packages: 1 2 3 5</b></p>	<p><b>Includes Q60 3.0t LUXE standard features, plus:</b></p> <ul style="list-style-type: none"> <li>• 400-hp 3.0-liter V6 twin-turbo engine</li> <li>• 20-inch staggered aluminum-alloy sport wheels</li> <li>• Sport brakes with red finish calipers</li> <li>• Unique dual exhaust tips with brushed satin finish</li> <li>• Red "S" exterior badging</li> <li>• Dynamic Digital Suspension</li> <li>• Steering wheel-mounted paddle shifters</li> <li>• Semi-aniline leather-appointed seating</li> <li>• Genuine Carbon Fiber or Silver Optic Fiber interior trim</li> <li>• Black side mirrors</li> <li>• Driver's seat with power lumbar and side bolsters</li> <li>• Dual-occupant memory system for driver's seat, steering column and outside mirrors</li> <li>• Heated front seats and steering wheel</li> <li>• Power tilt and telescoping steering wheel column</li> <li>• INFINITI InTouch™ Navigation with Lane Guidance, 3D building graphics and one-shot voice destination entry<sup>3</sup></li> <li>• INFINITI InTouch™ Services with safety, security and convenience features with complimentary 4-year Select package trial; first 12 months include Premier package features<sup>3</sup></li> <li>• SiriusXM® Traffic™ with 4-year complimentary trial access<sup>3</sup></li> <li>• Remote Engine Start System<sup>7</sup></li> <li>• Auto-dimming outside mirrors with reverse tilt-down feature</li> <li>• Rear-Wheel Drive or INFINITI Intelligent All-Wheel Drive</li> </ul> <p><b>Optional Packages: 4 5 6 7</b></p>

## PACKAGES

- 1 Premium Paint**
  - Metallic Exterior Paint
- 2 Essential Package**
  - INFINITI InTouch™ Navigation with Lane Guidance, 3D building graphics and voice recognition<sup>3</sup>
  - INFINITI InTouch™ Services with complimentary 4-year Select & 1-year Premier trial packages<sup>3</sup>
  - Voice recognition for navigation functions, including one-shot voice destination entry<sup>3</sup>
  - SiriusXM® Traffic™ with 4-year complimentary trial access<sup>3</sup>
  - Power tilt and telescoping steering wheel column
  - Dual-occupant memory system for driver's seat, steering column and outside mirrors
  - Driver's power lumbar and side bolster adjustment
  - Heated front seats and steering wheel
  - Auto-dimming outside mirrors with reverse tilt-down feature
  - Remote Engine Start System<sup>7</sup>
- 3 ProASSIST Package**

Requires Essential Package and Leather-appointed Seating Package on Q60 3.0t LUXE models.

  - Around View® Monitor (AVM) with Moving Object Detection (MOD)<sup>8</sup>
  - Blind Spot Warning (BSW)<sup>9</sup>
  - Backup Collision Intervention (BCI)<sup>10</sup>
  - Front and Rear Sonar System<sup>11</sup>
  - Rain-sensing wipers
- 4 Silver Optic Fiber Interior Trim**

Available on Q60 RED SPORT 400 models only.
- 5 Leather-appointed Seating Package**

Requires Essential and ProASSIST Packages on Q60 3.0t LUXE models.

  - Semi-aniline leather-appointed seating
- 6 Exclusive Paint**
  - Tri-coat Exterior Paint
- 7 ProACTIVE Package**

Requires ProASSIST Package on Q60 RED SPORT 400 models.

  - Direct Adaptive Steering® (DAS)
  - Blind Spot Intervention® (BSI)<sup>9</sup>
  - Intelligent Cruise Control (ICC) (Full-Speed Range)<sup>12</sup>
  - Distance Control Assist (DCA)<sup>13</sup>
  - Lane Departure Warning (LDW) and Lane Departure Prevention (LDP)<sup>14</sup>
  - Active Lane Control<sup>15</sup>
  - Adaptive Front lighting System (AFS)
  - High Beam Assist (HBA) headlights
  - Advanced Climate Control System (ACCS) with auto recirculation, Plasmacluster® air purifier and Grape Polyphenol Filter<sup>16</sup>
  - Front-seat Driver/Passenger Pre-Crash Seat Belts
  - Eco Pedal



2018 model shown

# GENUINE INFINITI ACCESSORIES

Make a powerful impression. Enhance every connection and experience, inside and out. Personalize your Q60 with a wide array of innovative products designed for a custom-fit and finish.<sup>17</sup> Every Genuine INFINITI Accessory is created to the same exacting standards applied to the creation of your INFINITI vehicle so you can confidently transform your Q60. For more information and to shop online for Genuine INFINITI Accessories, go to [parts.infiniti.com](http://parts.infiniti.com).



#### INFINITI RADIANT INTERIOR AMBIENT LIGHTING

A warm glow emanating from both footwells and cup holders welcomes you as you get settled. The effect adds ambience to the interior and enhances its modern appeal.

#### CARBON FIBER-LOOK REAR BUMPER PROTECTOR AND TRUNK PROTECTOR (CARGO TRAY)

Add the unmistakable appearance of carbon fiber to your Q60 while protecting the rear bumper from minor scrapes and scuffs. Inside the trunk, a heavy, durable and flexible cargo tray prevents spills and helps secure items while driving.<sup>18</sup>

#### INFINITI RADIANT ILLUMINATED KICK PLATES

The INFINITI name plate glows softly along the bottom of the front door sills – a signature flourish you and your passenger will appreciate every time you get in.

**SPORT FLOOR MATS** Sophisticated design and modern materials make these floor mats a perfect match for the interior of your Q60. A specially placed rubber section guards against the wear and tear of heels.

**INFINITI 4G WI-FI** Enables you to seamlessly and securely conduct internet activities in a stationary or moving vehicle. Your vehicle becomes a roving Wi-Fi hotspot, connecting up to five devices to the internet in and around the car.<sup>5</sup>

**CARBON FIBER REAR DECKLID SPOILER** Give your Q60 the ultimate performance-inspired accessory. Carbon fiber enhances the dynamic character of the spoiler in a way that sets your sports coupe apart from other vehicles.

**ACCESSORIES SHOWN** Carbon Fiber Rear Decklid Spoiler, Carbon Fiber Side Mirror Covers, INFINITI Radiant External Ground Lighting, Carbon Fiber Fender Vents, Carbon Fiber Fog Light Finishers and 20-inch Accessory 5-Spoke Wheels.

# EXPERIENCE THE THRILL: Q60 RED SPORT 400

We feel most alive during times of exhilaration, when nothing can hold us back. Imagine yourself in a Q60 RED SPORT 400<sup>1</sup> softly rumbling at a red light. With a twin-turbo V6 that produces 400-hp and 350 lb-ft of torque, you are about to feel near-instantaneous acceleration. The light changes and the thrill comes alive. As the road twists, you sense the customizable Dynamic Digital Suspension<sup>1</sup> and INFINITI world's first Direct Adaptive Steering<sup>®1</sup> respond with lightning speed to you and the road. Large 20-inch wheels and red caliper sport brakes push performance even further. Your sense of confidence is visible from the available Monaco Red semi-aniline leather-appointed seats to the Silver Optic Fiber interior trim.<sup>1</sup> This is an experience unlike any you've felt – exhilaration that taps into your inner drive.



# TECHNICAL SPECS

## ENGINEERING / PERFORMANCE

Coefficient of drag – 3.0t PURE / 3.0t LUXE / RED SPORT 400	0.28 / 0.28 / 0.29
Coefficient of drag – 3.0t PURE AWD / 3.0t LUXE AWD / RED SPORT 400 AWD	0.29 / 0.28 / 0.29
Turning diameter, curb-to-curb – RWD / AWD (feet)	36.7 / 38.1

## INTERIOR DIMENSIONS

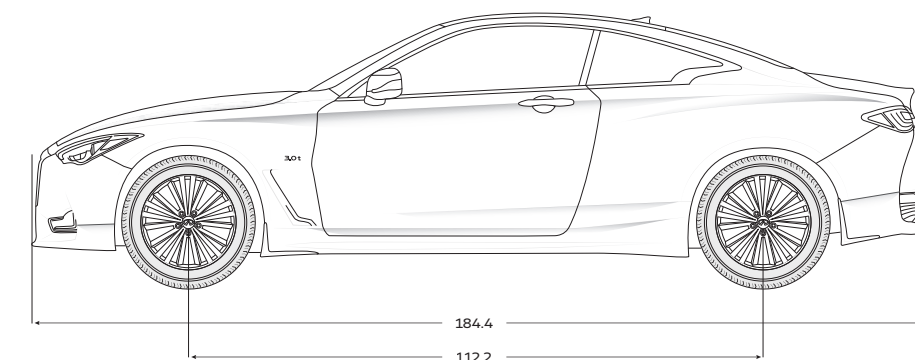
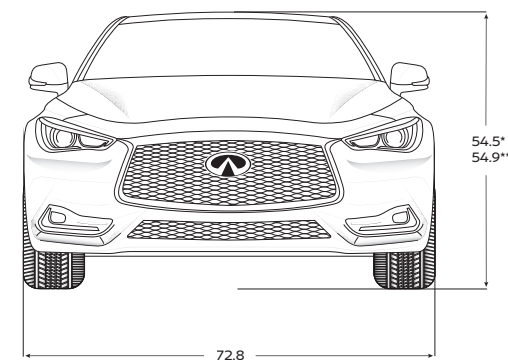
Cargo volume (cubic feet)	8.7
Head room – with moonroof Front / Rear, without moonroof Front / Rear (inches)	37.4 / 34.5, 37.9 / 34.5
Leg room – Front / Rear (inches)	43.1 / 32.4
Total interior volume – without / with moonroof (cubic feet)	85.4 / 84.6

## WEIGHT AND CAPACITY

Curb weight RWD – 3.0t PURE / 3.0t LUXE / RED SPORT 400 (lbs)	3,747 / 3,785 / 3,882
Curb weight AWD – 3.0t PURE / 3.0t LUXE / RED SPORT 400 (lbs)	3,915 / 3,950 / 4,047
Fuel capacity (gallons)	20

See infinitusa.com for complete list of specifications.


\*Q60 3.0t LUXE and Q60 RED SPORT 400. \*\*Q60 3.0t PURE, Q60 3.0t PURE AWD, Q60 LUXE AWD and Q60 RED SPORT 400 AWD.



All dimensions are measured in inches.

<sup>1</sup> Available on select models. <sup>2</sup> RearView Monitor may not detect every object and does not eliminate blind spots or warn of moving objects. See Owner's Manual for safety information. <sup>3</sup> Available services/features may be shown. Compatible connected device may be required. Only use services/features and device when safe and legal to do so. Subject to GPS and wireless network availability and connection, and system/technology limitations. Text rates/data usage/subscription may apply. Some services/features provided by companies not within INFINITI or its partners' or agents' control and may be discontinued at any time. For more information, see retailer, Owner's Manual, or [www.infinitiUSA.com/intouch/important-information](http://www.infinitiUSA.com/intouch/important-information). <sup>4</sup> Driving is serious business and requires your full attention. If you have to use the connected device while driving, exercise extreme caution at all times so full attention may be given to vehicle operation. External device not included. <sup>5</sup> Forward Emergency Braking with Pedestrian Detection cannot prevent all collisions and may not provide warning or braking in all conditions. Driver should monitor traffic conditions and brake as needed to prevent collisions. See Owner's Manual for safety information. <sup>6</sup> Predictive Forward Collision Warning cannot prevent collisions. See Owner's Manual for safety information. <sup>7</sup> State laws may apply; review local laws before using. <sup>8</sup> Around View Monitor with Moving Object Detection cannot eliminate blind spots and may not detect every object. Driver should always turn and check surroundings before driving. See Owner's Manual for safety information. <sup>9</sup> Blind Spot Warning/Blind Spot Intervention Systems cannot prevent collisions and may not detect every object or warn in all situations. Driver should always turn and look before changing lanes. See Owner's Manual for safety information. <sup>10</sup> Backup Collision Intervention may not detect every object. Driver should always turn and check surroundings before driving. See Owner's Manual for safety information. <sup>11</sup> Sonar System may not detect every object. Driver should always check surroundings before driving. See Owner's Manual for safety information. <sup>12</sup> Intelligent Cruise Control uses limited braking and is not a collision avoidance or warning system. Driver should monitor traffic conditions and brake as needed to prevent collisions. See Owner's Manual for safety information. <sup>13</sup> Distance Control Assist uses limited braking and is not a collision avoidance or warning system. Driver should monitor traffic conditions and brake as needed to prevent collisions. See Owner's Manual for safety information. <sup>14</sup> Lane Departure Warning/Lane Departure Prevention Systems only operate when lane markings are detectable. See Owner's Manual for safety information. <sup>15</sup> Active Lane Control cannot prevent collisions or loss of control. Driver should remain in control of vehicle at all times. See Owner's Manual for safety information. <sup>16</sup> The Advanced Climate Control System with Plasmacluster air purifier helps scrub the air in the vehicle's interior. The system senses exterior odors, suppresses unpleasant interior odors, stops the inflow of external odors and helps keep the cabin smelling fresh, but does not always eliminate odors. <sup>17</sup> Covered by INFINITI's Limited Warranty on Genuine INFINITI Accessories for the longer of 12 months/12,000 miles (whichever is earlier) or the remaining period under the 4-year/60,000-mile INFINITI New Vehicle Limited Warranty. Terms and conditions apply. See Warranty Information Booklet for details. <sup>18</sup> Cargo and load capacity limited by weight and distribution. Always secure cargo.

Bose is a registered trademark of Bose Corporation. HomeLink is a registered trademark of Gentex Corporation. The Sirius, XM, and SiriusXM names and all related marks and logos are trademarks of Sirius XM Radio Inc. All other trademarks are the property of their respective owners.



VISIT US ONLINE TO CREATE YOUR IDEAL INFINITI

[www.infinitiusa.com](http://www.infinitiusa.com)

JOIN OUR COMMUNITY, AND GET THE LATEST INFO

 [Facebook.com/infiniti](https://www.facebook.com/infiniti)

 [Twitter.com/infinitiusa](https://twitter.com/infinitiusa)

This brochure is intended for general descriptive and informational purposes only. It is subject to change and does not constitute an offer, representation or warranty (express or implied) by Nissan North America, Inc. Interested parties should confirm the accuracy of any information in this brochure as it relates to a vehicle directly with an INFINITI Retailer before relying on it to make a purchase decision. Nissan North America, Inc., reserves the right to make changes, at any time, without prior notice, in prices, colors, materials, equipment, specifications, and models and to discontinue models or equipment. Due to continuous product development and other pre- and post-production factors, actual vehicle, materials and specifications may vary from this brochure. Some vehicles shown with optional equipment. See the actual vehicle for complete accuracy. Availability and delivery times for particular models or equipment may vary. Specifications, options and accessories may differ in Hawaii, U.S. territories and other countries. For additional information on availability, options or accessories, see your INFINITI Retailer or visit INFINITI website.

Final production vehicle may vary. Always wear your seat belt, and please don't drink and drive. ©2018 INFINITI. IN-22714 Reorder #19506i (11/18, 30K, CC) ♻️ Reducing our environmental footprint is an important goal at INFINITI. That's why this brochure uses paper stock that is certified to contain a minimum of 10% post-consumer waste materials.