

2019

QX30



INFINITI.

EMPOWER THE DRIVE™

EMPOWER THE DRIVE

For those who dare to define themselves beyond the usual measures, there's INFINITI – a spirit of daring that challenges the limits of what's possible. See this take shape on the QX30, where dynamic design awakens your senses and innovative technologies know no bounds. Begin by defining your QX30 for your personal journey. Every selection is designed to move, inspire and empower the drive.



WHEEL CHOICES



18 X 7.0-INCH ALUMINUM-ALLOY WHEELS



19 X 8.0-INCH MACHINE-FINISHED ALUMINUM-ALLOY WHEELS WITH PURPLE ACCENTS**

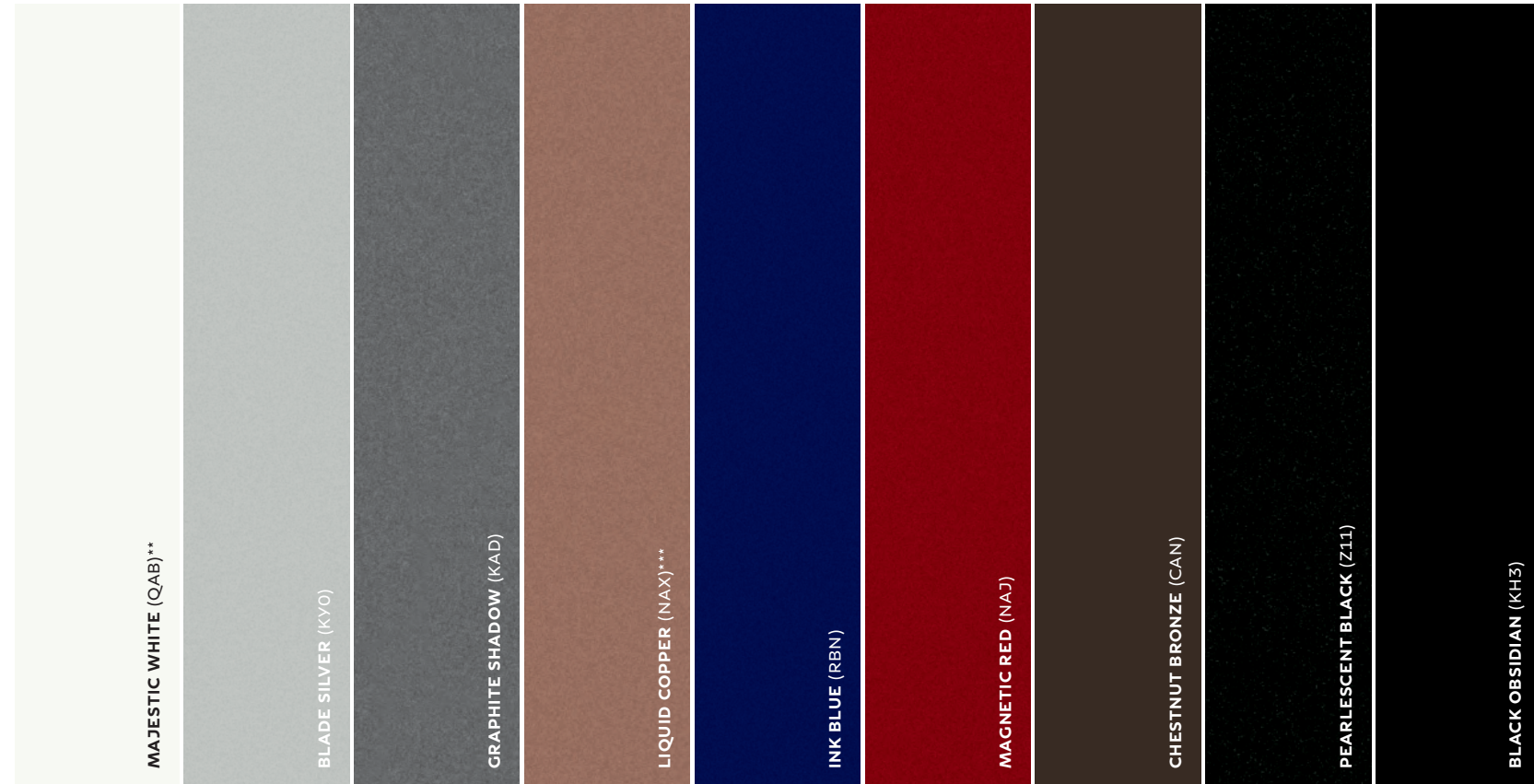


18 X 7.0-INCH MACHINE-FINISHED ALUMINUM-ALLOY WHEELS



19 X 8.0-INCH GUN METALLIC DOUBLE 5-SPOKE ALUMINUM-ALLOY WHEELS**

EXTERIOR COLORS*



GO BEYOND THE CITY When the road gets slick, QX30 AWD can adapt. On dry pavement, Intelligent All-Wheel Drive sends 100% of the power to the front wheels for fuel efficiency.¹ But if road conditions require, the system automatically transfers up to 50% of the power to the rear wheels. The more in control you feel, the more confident you become – no matter how far out you go.

DESIGN TO EXCITE With dramatic lines that stand out from the rest, QX30 makes an exhilarating statement. Take the thrill even further by choosing the SPORT trim.² A lower sport-tuned suspension combines with 19-inch double 5-spoke aluminum-alloy wheels for a stance that exudes attitude. A gloss black grille evokes boldness, while aggressive front and rear fascias with LED front fog lights give you the confidence to push forward.

*INFINITI has taken care to ensure that the color swatches presented here are the closest possible representations of actual vehicle colors. Swatches may vary slightly due to the printing process and whether viewed in daylight, fluorescent or incandescent light. Please see the actual colors at your local INFINITI Retailer. **Additional cost applies for this option. ***Limited availability, please check your local INFINITI Retailer. Additional cost applies for this option.

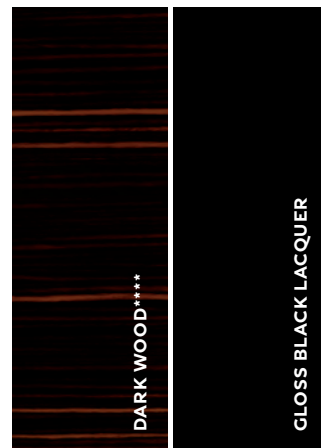
ADD DISTINCTION



INTERIOR COLORS*



INTERIOR TRIM*



*INFINITI has taken care to ensure that the color swatches presented here are the closest possible representations of actual vehicle colors. Swatches may vary slightly due to the printing process and whether viewed in daylight, fluorescent or incandescent light. Please see the actual colors at your local INFINITI Retailer. **Additional cost applies for this option. ***Available only on QX30 SPORT. Additional cost applies for this option. ****Available only on QX30 ESSENTIAL AWD. Additional cost applies for this option.

ENHANCE YOUR CAPABILITIES

How will your QX30 come to life? Designed to challenge, it offers bold ideas for the driven. Curate an interior as daring as you. Push the latest technology, and change your perception about what an active crossover can achieve. And what you are truly capable of both in and out of the city.

CONFIGURE FOR ADVENTURE Created for a spontaneous experience, every QX30 offers a generous cargo opening that makes loading and unloading incredibly easy.³ Pop open the rear liftgate and you'll have direct access to the storage area, clear from wheel-arch obstruction. The 60/40 folding rear seats open up more space to carry more of your things, while a middle pass-through² ensures that even long items can be brought along on your adventures. Opt for the LUXE trim² and a panoramic moonroof with power sunshade invites streaming natural light to the cabin.

EXPRESS YOUR INDIVIDUALITY Inside the QX30, a choice of specialty materials and themes reflect a new mindset. The contemporary attitude of the SPORT trim² features leatherette and suede-like material, along with unique sport seats with integrated headrests. The personality of the City Black Theme Package² is expressed through purple contrast stitching and satin silver mirror caps. Meanwhile, the Café Teak Theme Package² offers a modern interpretation of a classic two-tone brown interior with leather-appointed seats.²

SEE EVERY SIDE Gain a new perspective on what's around you when you select the Navigation Package.² The Around View[®] Monitor with Moving Object Detection and Front and Rear Sonar System^{2,4,5,6} allow you to see and maneuver in even the tightest spaces. Four cameras and one virtual 360° view from above elevate your parking expertise, alerting you when a moving object is detected close by.

PARK WITH EASE Make parking look easy with Intelligent Park Assist.^{2,7} This technology uses a combination of 12 sensors to maneuver your QX30 into a parking spot. Simply engage the gearshift, press a button to confirm, and operate the accelerator and brake pedal. Your vehicle will steer itself smoothly – reversing in or parallel parking into your chosen space. Embrace this convenience by selecting the SPORT trim² or the ProASSIST Package.²



2018 model shown



2018 model shown

TRIM LEVELS & PACKAGES

| QX30 PURE | QX30 LUXE | QX30 ESSENTIAL | QX30 LUXE AWD | QX30 ESSENTIAL AWD | QX30 SPORT |
|---|---|--|---|--|--|
| <ul style="list-style-type: none"> • 2.0-liter turbocharged I4 engine with Idle Stop/Start • 7-speed double clutch automatic transmission • LED signature daytime running lights • Halogen automatic on/off headlights • 18-inch aluminum-alloy wheels • 235/50R18 all-season run-flat tires • Power folding and heated outside mirrors • Auto-dimming driver's outside mirror • Puddle lights • Body-color outside mirror caps • Forward Emergency Braking (FEB)⁸ • Hill start assist • RearView Monitor⁹ • INFINITI InTouch™ with 7" touch-screen¹⁰ • INFINITI Intelligent Key with Push Button Ignition • Leatherette dash insert and center console with stitching • Leather-wrapped steering wheel with paddle shifters • Fibretec seats • 8-way manually adjustable front seats with 4-way manually adjustable headrests • 4-way driver's power lumbar support • Dual Zone Automatic A/C with rear-seat vents on console • 6-speaker audio system with AM/FM/CD/HD/SAT with multiple USB connection ports¹¹ • Bluetooth® Hands-free Phone System and audio streaming¹⁰ • INFINITI Voice Recognition¹⁰ • SiriusXM® Radio with 3-month complimentary trial¹⁰ • SiriusXM® Travel Link with 4-year complimentary trial access to weather, fuel prices, stock prices, sports and movie times¹⁰ | <p>Includes QX30 PURE standard features, plus:</p> <ul style="list-style-type: none"> • Panoramic moonroof with power sunshade • Leatherette and textile seats • Auto-dimming rearview mirror with HomeLink® Universal Transceiver • Memory system for front seats and mirrors • Heated front seats • 8-way power front seats • 4-way front-passenger's power lumbar support • Driver's seatback pocket • Leatherette door inserts with stitching • Rear armrest and ski hatch • Footwell lamp • Roof rails <p>Optional Packages: 1 2</p> | <p>Includes QX30 LUXE standard features, plus:</p> <ul style="list-style-type: none"> • Bose® 10-speaker premium audio • Leather-appointed seats • Rain-sensing front windshield wipers • Heated windshield washers • LED headlights with auto levelizer • Adaptive Front lighting System (AFS) • LED front fog lights • Blind Spot Warning (BSW)¹² • Enhanced Interior LED illumination • Aluminum kick plates • Metallic Cargo Area Finisher <p>Optional Packages: 1 2 3</p> | <p>Includes QX30 LUXE standard features, plus:</p> <ul style="list-style-type: none"> • Intelligent All-Wheel Drive (AWD) • 1.2-inch raised AWD suspension • Unique front and rear AWD styling • Unique 18-inch machine-finished aluminum-alloy wheels • Extended overfenders • Unique sills (black mold-in color) <p>Optional Package: 1</p> | <p>Includes QX30 LUXE AWD standard features, plus:</p> <ul style="list-style-type: none"> • Bose® 10-speaker premium audio • Leather-appointed seats • Rain-sensing front windshield wipers • Heated windshield washers • LED headlights with auto levelizer • Adaptive Front lighting System (AFS) • LED front fog lights • Blind Spot Warning (BSW)¹² • Enhanced Interior LED illumination • Aluminum kick plates • Metallic Cargo Area Finisher <p>Optional Packages: 1 3 4</p> | <p>Includes QX30 PURE standard features, plus:</p> <ul style="list-style-type: none"> • Sport front and rear lower fascias with LED front fog lights • Lowered sport-tuned suspension • 19-inch Gun Metallic double 5-spoke aluminum-alloy wheels • 235/45R19 summer run-flat tires • Cross-drilled front brake rotors with INFINITI-branded calipers • Body-color side sill panel • Gloss black grille paint, black outside mirror caps • Chrome exhaust finishers (dual) • Rain-sensing front windshield wipers with heated washers • Intelligent Park Assist (IPA)⁷ • Front and Rear Parking Sensors⁵ • Blind Spot Warning (BSW)¹² • Enhanced Interior LED illumination • Adaptive Front lighting System (AFS) • Black tricot headliner and A-pillars • Panoramic moonroof with power sunshade • Flat bottom leather-wrapped steering wheel • Sport seats with integrated headrests • 8-way power front seats with 4-way power lumbar support • Leatherette and suede-like seats • Leatherette door/center console/IP trim with stitching • Memory system for front seats and mirrors • Aluminum pedal finishers • Rear armrest and ski hatch • Bose® 10-speaker premium audio • Auto-dimming rearview mirror with HomeLink® Universal Transceiver • Aluminum kick plates • Metallic Cargo Area Finisher <p>Optional Packages: 5 6 7 8</p> |



PACKAGES

- 1 Navigation Package**
 - INFINITI InTouch™ Navigation¹⁰
 - INFINITI InTouch™ Services with 12-month complimentary trial access to safety, security and convenience services¹⁰
 - SiriusXM® Traffic with 4-year complimentary trial access to real-time traffic information¹⁰
 - Around View® Monitor (AVM) with Moving Object Detection (MOD)⁴
 - Front and Rear Parking Sensors⁵
 - Color center meter display
- 2 19-inch Wheel Package**
 - Requires Navigation Package.
 - 19-inch Gun Metallic double 5-spoke aluminum-alloy wheels
 - 235/45R19 summer run-flat tires
- 3 ProASSIST Package**
 - Requires Navigation Package. Cannot be combined with 19-inch Wheel Package.
 - Lane Departure Warning (LDW)¹³
 - Intelligent Cruise Control (ICC) (Full-Speed Range)¹⁴
 - High Beam Assist (HBA)
 - Intelligent Park Assist (IPA)⁷
- 4 Café Teak Theme Package**
 - Requires Navigation Package and ProASSIST Package. (Available on QX30 ESSENTIAL AWD only)
 - Brown leather-appointed seats
 - Brown leatherette-appointed console, dash and door insert
 - Graphite contrast stitching on seating, door inserts, center console and dash insert
 - Genuine wood center stack and door handle trim
 - Graphite suede-like headliner and A-pillars
 - Satin-silver-color mirror caps
- 5 SPORT Navigation Package**
 - (Available on QX30 SPORT only)
 - Includes all Navigation Package contents (Front and Rear Parking Sensors⁵ standard on QX30 SPORT)
- 6 SPORT Leather Package**
 - Requires SPORT Navigation Package.
 - Leather-appointed sport seats
 - Graphite suede-like headliner and A-pillars
 - Footwell lamps
- 7 City Black Theme Package**
 - Requires SPORT Navigation Package and SPORT ProASSIST Package. Cannot be combined with SPORT Leather Package. (Available on QX30 SPORT only)
 - Purple contrast stitching on seating, door inserts, center console and dash insert
 - Graphite suede-like headliner and A-pillars
 - Purple key fob accent
 - Unique 19-inch machine-finished aluminum-alloy wheels with purple accents
 - 235/45R19 summer run-flat tires
 - Satin-silver-color mirror caps
- 8 SPORT ProASSIST Package**
 - Requires SPORT Navigation Package. (Available on QX30 SPORT only)
 - Includes all ProASSIST Package contents (Intelligent Park Assist⁷ standard on QX30 SPORT)

GENUINE INFINITI ACCESSORIES

The same exacting standards applied to the creation of an INFINITI vehicle go into designing and manufacturing Genuine INFINITI Accessories. With a wide array of quality products designed to integrate seamlessly, you can be assured of a custom-fit and finish.¹⁵ For more information and to shop online for Genuine INFINITI Accessories, go to parts.infiniti.com.



ACCESSORIES SHOWN Red Lip Spoiler and 18-inch Aluminum-alloy Wheels.



19-INCH ALUMINUM-ALLOY WHEELS Inspired by a sense of continual motion, these eye-catching wheels express your sense of style and bold design. The contrasting finishes on the spokes are designed to set your INFINITI apart. Made of lightweight aluminum-alloy with original logo center caps.

ALL-SEASON FLOOR MATS Custom-made of durable and long-wearing material – they are designed to protect the interior footwells and capture dirt, sand and other debris while staying securely in place.



REVERSIBLE CARGO AREA PROTECTOR One side rubber, the other side fabric, this durable and flexible protector guards against scratches and damage in the cargo area.³

INFINITI RADIANT ILLUMINATED KICK PLATES The INFINITI name plate glows softly along the bottom of the front door sills – a signature flourish you and your front-passenger will appreciate every time you get in.



WIRELESS SMARTPHONE CHARGER For those that are busy and on the go, INFINITI introduces wireless phone charging. Simply place your compatible phone in the charging unit and let it charge. No power cables. No USB ports. No plugs. Just easy-to-use inductive charging.

STAINLESS STEEL REAR BUMPER PROTECTOR While you load, unload and handle all your cargo, scuffs and scrapes can happen. This protector not only adds a sophisticated look, but it's durable enough to resist the wear and tear of everyday life.

CITY BLACK, CONTEMPORARY COOL

Created for those who refuse to conform, the INFINITI QX30 exudes individuality. Express your personality further with the City Black Theme Package² and discover bold details like purple contrast stitching that accents the black seats, center console and dash insert. This urban motif extends to the purple detail on the key fob and the 19-inch aluminum-alloy wheels. Dramatic curves in the integrated sport seats evoke a dynamic spirit, enhanced by the D-shaped leather-wrapped steering wheel. The finishing touch? Satin silver mirror caps that project your uniqueness to city streets and beyond.



TECHNICAL SPECS

HANDLING DIMENSIONS

Turning diameter, curb-to-curb – FWD / AWD (feet) 37.3 / 36.6

INTERIOR DIMENSIONS

Cargo volume – Rear seats upright / Rear seats down (cubic feet) 19.2 / 34.0

Head room with moonroof – Front / Rear (inches) 38.4 / 37.5

Leg room – Front / Rear (inches) 41.3 / 33.5

Passenger volume (cubic feet) 108

WEIGHT AND CAPACITY

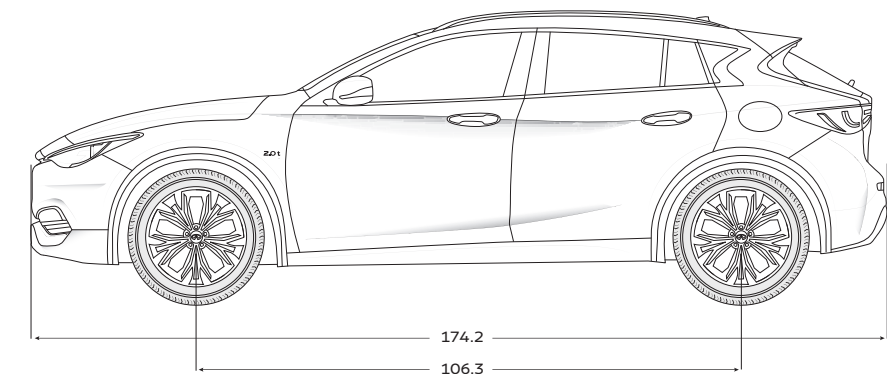
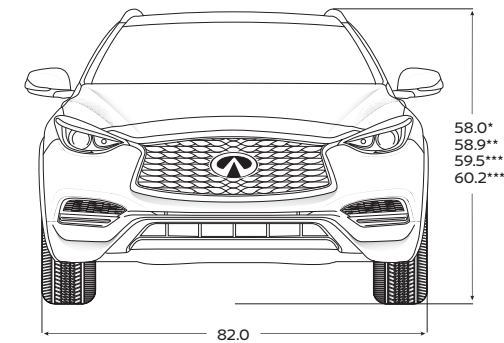
QX30 PURE / QX30 LUXE / QX30 ESSENTIAL / QX30 SPORT (lbs) 3,285 / 3,351 / 3,386 / 3,391

QX30 LUXE AWD / QX30 ESSENTIAL AWD (lbs) 3,505 / 3,556

Fuel capacity – FWD / AWD (gallons) 13.2 / 14.8

See infinitiUSA.com for complete list of specifications.


*QX30 SPORT without roof rails. **QX30 PURE without roof rails. ***QX30 LUXE and QX30 ESSENTIAL. ****QX30 LUXE AWD and QX30 ESSENTIAL AWD.



All dimensions are measured in inches.

¹ 2019 QX30 ESSENTIAL AWD EPA Fuel Economy Estimates 21 City, 30 Highway, 25 Combined. Actual mileage may vary with driving conditions – use for comparison only. ² Available on select models. ³ Cargo and load capacity limited by weight and distribution. Always secure all cargo. Heavy loading of the vehicle with cargo, especially on the roof, will affect handling and stability of the vehicle. ⁴ Around View Monitor with Moving Object Detection cannot eliminate blind spots and may not detect every object. Driver should always turn and check surroundings before driving. See Owner's Manual for safety information. ⁵ Sonar System may not detect every object. Driver should always check surroundings before driving. See Owner's Manual for safety information. ⁶ Moving Object Detection cannot eliminate blind spots and may not detect every object. Driver should always turn and check surroundings before driving. See Owner's Manual for safety information. ⁷ Intelligent Park Assist does not substitute for driver's attention to the immediate surroundings. See Owner's Manual for safety information. ⁸ Forward Emergency Braking cannot prevent all collisions and may not provide warning or braking in all conditions. Driver should monitor traffic conditions and brake as needed to prevent collisions. See Owner's Manual for safety information. ⁹ RearView Monitor may not detect every object and does not eliminate blind spots or warn of moving objects. See Owner's Manual for safety information. ¹⁰ Available services/features may be shown. Compatible connected device may be required. Only use services/features and device when safe and legal to do so. Subject to GPS and wireless network availability and connection, and system/technology limitations. Text rates/data usage/subscription may apply. Some services/features provided by companies not within INFINITI or its partners' or agents' control and may be discontinued at any time. For more information, see retailer, Owner's Manual, or www.infinitiUSA.com/important-information. ¹¹ Driving is serious business and requires your full attention. If you have to use the connected device while driving, exercise extreme caution at all times so full attention may be given to vehicle operation. External device not included. ¹² Blind Spot Warning System cannot prevent collisions and may not detect every object or warn in all situations. Driver should always turn and look before changing lanes. See Owner's Manual for safety information. ¹³ Lane Departure Warning System only operates when lane markings are detectable. See Owner's Manual for safety information. ¹⁴ Intelligent Cruise Control uses limited braking and is not a collision avoidance or warning system. Driver should monitor traffic conditions and brake as needed to prevent collisions. See Owner's Manual for safety information. ¹⁵ Covered by INFINITI's Limited Warranty on Genuine INFINITI Accessories for the longer of 12 months/12,000 miles (whichever is earlier) or the remaining period under the 4-year/60,000-mile INFINITI New Vehicle Limited Warranty. Terms and conditions apply. See Warranty Information Booklet for details.

Bose is a registered trademark of Bose Corporation. Bluetooth is a registered trademark of Bluetooth SIG, Inc. HomeLink is a registered trademark of Gentex Corporation. The Sirius, XM, and SiriusXM names and all related marks and logos are trademarks of Sirius XM Radio Inc. All other trademarks are the property of their respective owners.



VISIT US ONLINE TO CREATE YOUR IDEAL INFINITI

www.infinitiusa.com

JOIN OUR COMMUNITY, AND GET THE LATEST INFO

 [Facebook.com/infiniti](https://www.facebook.com/infiniti)

 [Twitter.com/infinitiusa](https://twitter.com/infinitiusa)

This brochure is intended for general descriptive and informational purposes only. It is subject to change and does not constitute an offer, representation or warranty (express or implied) by Nissan North America, Inc. Interested parties should confirm the accuracy of any information in this brochure as it relates to a vehicle directly with an INFINITI Retailer before relying on it to make a purchase decision. Nissan North America, Inc., reserves the right to make changes, at any time, without prior notice, in prices, colors, materials, equipment, specifications, and models and to discontinue models or equipment. Due to continuous product development and other pre- and post-production factors, actual vehicle, materials and specifications may vary from this brochure. Some vehicles shown with optional equipment. See the actual vehicle for complete accuracy. Availability and delivery times for particular models or equipment may vary. Specifications, options and accessories may differ in Hawaii, U.S. territories and other countries. For additional information on availability, options or accessories, see your INFINITI Retailer or visit INFINITI website.

Final production vehicle may vary. Always wear your seat belt, and please don't drink and drive. ©2018 INFINITI. IN-22966 Reorder #19504 (11/18, 33K, CC) ♻️ Reducing our environmental footprint is an important goal at INFINITI. That's why this brochure uses paper stock that is certified to contain a minimum of 10% post-consumer waste materials.