



2024

QX55





Originality in Fullest Force

Originality does not mean standing out. It's tapping into your fullest capacity and expressing it unfiltered. As the original crossover coupe that boldly defines the genre INFINITI created, the QX55 was designed to empower those who prefer to carve their own path. With its daring fastback roofline and sport-inspired style that extends to the interior, the QX55 is a provocative statement. Stay present and purposeful with performance that adapts to you and technologies that can adapt to the traffic around you. Through nights out in the city and early starts on the highway, you can stay connected via INFINITI InTouch® with wireless Apple CarPlay® integration.¹ When the world expects you to conform to the commonplace, recenter and exude "you" in the INFINITI QX55.



Crossover coupe roofline



Digital Piano Key Taillights



ACCELERATES YOUR DRIVE

The engine on the QX55 adapts to your driving style for performance as unique as your journey. The INFINITI world's first production variable compression turbo engine,² the INFINITI VC-Turbo® continuously transforms for optimal power and efficiency,³ whether you want

to sprint or cruise. Throttle response is sharp, steering quick and the overall experience can be dialed up or down on your whim, thanks to the Drive Mode Selector. Toggle between four different driving modes designed to cater to any driving situation or mood – from laid-back to sport.

PROVOKES A SECOND LOOK

Beyond first impressions from its low, fastback roofline, the sport-inspired details of the aggressive front splitter and angular fog light surrounds are undeniably QX55 – a theme that continues with standard 20" aluminum-alloy wheels to amplify a bold presence. You'll turn as many heads as you leave with signature Digital Piano Key Taillights that are designed so that each defined "key" lights up in a uniform glow.



▶ View video to see even more QX55 performance.



Where Momentum Meets the Moment

The definitive INFINITI QX55 design effortlessly moves from its fearless exterior to an open and inviting cabin. With a dashboard that flows into the armrest in one bold movement to wrap around the driver, the space embraces you in cockpit-like comfort. Relax into the available soft semi-aniline leather appointments and rest your compatible smartphone on the new wireless charging pad.⁴ Finally, with acute attention paid to the sharpest details, like the precision stitching, you'll discover that the interior is just as thrilling as the most spirited of drives.



Semi-aniline leather-appointed seating⁵

YOURS TO SHARE

Sometimes, subverting expectations means bringing others along for the journey. Whether it's nights out on dazzling downtown streets or windy mountain roads, your backseat companions always stay comfortable with available heated rear seats. And with standard second-row USB charging ports and a Wi-Fi Hotspot to accommodate up to seven devices, everyone's able to stay charged up and connected.^{1,4,17}



▶ View video to learn more about InTouch[®] connectivity.¹

YOUR LIFE ON YOUR PLATFORM

INFINITI InTouch[®] with wireless Apple CarPlay[®] integration lets you bring your compatible iPhone[®] along for the ride. Or plug in your Android Auto™-compatible phone as your preferred driving companion. Whichever you choose, enjoy a more streamlined connection with a 3-year premium trial of INFINITI InTouch[®] Services, with remote access through the MyINFINITI app.^{1,4}

PLAYLIST PERFECTION

There's an art to creating a playlist that takes you somewhere. Similarly, the available Bose[®] 16-speaker Performance Series Audio system transforms your playlist into an immersive soundstage, down to the shape of the speaker grilles, designed to enhance both high and low frequencies.



Bose[®] 16-speaker Performance Series Audio⁵



ProPILOT Assist⁶

ADAPTS TO YOUR JOURNEY

Never let traffic interrupt your rhythm. Standard ProPILOT Assist⁶ is based on some of the same innovations that will make full autonomy possible in the future, easing your commute on the highway. When activated, ProPILOT Assist can automatically react to the flow of vehicles ahead by braking, coming to a complete stop and then accelerating again up to speed. The system can even assist steering to help keep you centered in your lane around gentle curves. Together with a standard suite of advanced technologies – like Predictive Forward Collision Warning,⁷ Rear Cross Traffic Alert⁸ and Blind Spot Intervention,⁹ which helps alert you to drivers in your blindspot area – the QX55 redefines the commute your way.

Trim Levels

QX55 LUXE

MECHANICAL AND PERFORMANCE

- 2.0L VC-Turbo® 4-cylinder engine (268 hp @ 5,600 rpm, 280 lb-ft @ 1,600–4,800 rpm)
- Continuously Variable Transmission with manual shift mode
- Paddle shifters
- INFINITI Intelligent All-Wheel Drive¹⁰

DESIGN

- 20-inch dark-painted and machine-finished aluminum-alloy wheels with 255/45R20 run-flat, all-season tires
- LED automatic-on/off headlights
- LED signature Daytime Running Lights
- LED front fog lights
- Body-color door handles with chrome accent and welcome light LED
- Power folding and heated outside mirrors
- Black inner headlight accents
- Black roof rails¹¹
- Power moonroof
- Acoustic front-row side window glass

CRAFTSMANSHIP

- Leather-appointed seating
- 8-way power adjustable front seats
- 4-way driver power lumbar
- Heated front seats
- Rear seat slide, recline and fold-flat function (60:40 split)^{12,13}
- Dark Aluminum interior trim accents

TECHNOLOGY

- ProPILOT Assist: Steering Assist and Intelligent Cruise Control with full-speed range, stop & hold and auto-resume^{6,14}
- Electronic parking brake with automatic brake hold
- Hill start assist
- Rear parking sensors¹⁵
- Wireless charging pad⁴
- INFINITI InTouch® dual display system, with upper 8-inch and lower 7-inch LCD touch-screen displays¹
- Wireless Apple CarPlay® integration¹
- Android Auto™ compatibility¹
- HD Radio® Technology
- SiriusXM® with Advanced Audio features and 3-month trial access¹
- INFINITI Voice Recognition¹⁶
- INFINITI InTouch® Services with 5-year trial access to Select and 3-year trial access to Premium packages¹
- Siri® Eyes Free¹
- Wi-Fi Hotspot with trial access^{1,17}
- 6-speaker audio system with AM/FM radio and CD player
- Four USB charging ports (2 Type-C, 2 Type-A)⁴
- Bluetooth® Hands-free Phone System and audio streaming¹
- Active noise cancellation
- Intelligent Key on all doors with push button ignition
- Remote Engine Start¹⁸
- Auto-dimming rearview mirror with HomeLink® Universal Transceiver

- Dual zone automatic climate control with rear seat vents on back of console
- Power rear liftgate
- Easy-Fill Tire Alert¹⁹
- Rear Door Alert²⁰
- Outside mirrors with reverse tilt-down feature
- Dual-occupant memory system for driver's seat and outside mirrors
- **SAFETY**
- Forward Emergency Braking with Pedestrian Detection²¹
- Predictive Forward Collision Warning⁷
- Blind Spot Warning⁹
- Blind Spot Intervention⁹⁹
- High Beam Assist
- Lane Departure Warning²²
- Lane Departure Prevention²²
- Rear Automatic Braking²³
- Rear Cross Traffic Alert⁸
- Tire Pressure Monitoring System²⁴
- Front seat-mounted side-impact supplemental air bags²⁵
- Roof-mounted curtain side-impact supplemental air bags²⁵
- Front driver and passenger knee supplemental air bags²⁵
- Rear seat-mounted side-impact supplemental air bags²⁵

QX55 ESSENTIAL

Includes all QX55 LUXE standard features, plus:

DESIGN

- Unique cube design LED headlights (with auto levelizer)
- Chrome inner headlight accents
- Adaptive Front Lighting System

CRAFTSMANSHIP

- Climate-controlled front seats
- Power tilting and telescoping steering column
- Heated and memory steering wheel
- Bose® 16-speaker Performance Series Audio
- Bose® Performance Series metallic speaker grilles on tweeters

TECHNOLOGY

- Navigation with 3D building graphics, 5-year trial access to Premium Traffic and MapCare¹⁶
- SiriusXM® Traffic with 3-month trial access to real-time traffic information¹
- SiriusXM® Travel Link with 3-month trial access to weather, fuel prices, stock prices, sports scores, movie listings and parking¹
- Rain-sensing front windshield wipers
- Dual-occupant memory system for steering wheel
- Around View® Monitor with Moving Object Detection²⁶
- Front parking sensors¹⁵
- Traffic Sign Recognition²⁷

QX55 SENSORY

Includes all QX55 ESSENTIAL standard features, plus:

DESIGN

- Semi-aniline leather-appointed seating
- Black Natural Maple Wood interior trim accents
- 4-way passenger power lumbar
- Motion Activated Liftgate
- Metallic cargo area scuff plates
- Heated rear seats

TECHNOLOGY

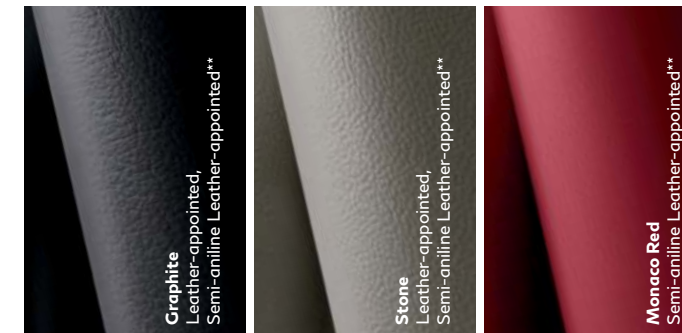
- Enhanced LED interior ambient lighting
- Advanced Climate Control System²⁸
- Head-Up Display²⁹
- Tri-zone automatic climate control

Choices

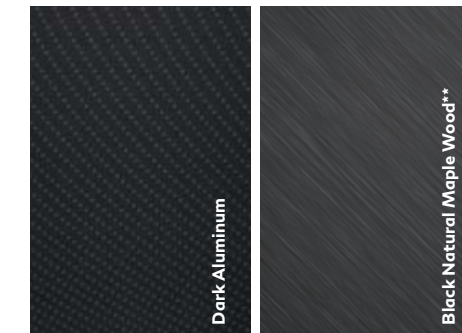
EXTERIOR COLORS*



INTERIOR COLOR/MATERIALS*



INTERIOR TRIM*



WHEELS



20 X 8.5-inch Dark-Painted and Machine-Finished Aluminum-Alloy Wheels



Build your vehicle on INFINITIUSA.com

*INFINITI has taken care to ensure that the color swatches presented here are the closest possible representations of actual vehicle colors. Swatches may vary slightly due to the printing process and whether viewed in daylight, fluorescent or incandescent light. Please see the actual colors at your retailer. **Additional cost applies for this option.

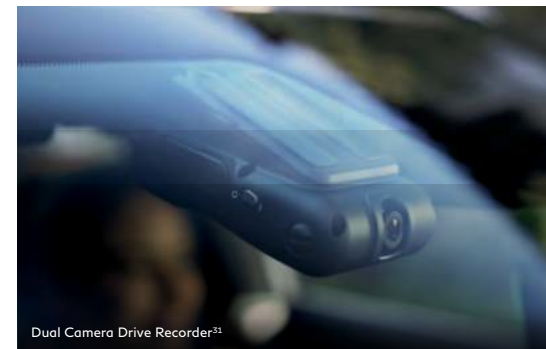


An Accessory for Every Individual

Whether you want them for style, protection or utility, INFINITI accessories make your QX55 a more unequivocal expression of life on your terms. We ensure that each Genuine INFINITI Accessory is designed and manufactured to integrate seamlessly with your vehicle and provide a custom fit and finish. For more information and to shop online for INFINITI Accessories, go to parts.infiniti.com.



Virtual Key²⁰



Dual Camera Drive Recorder³¹

TECH

Manage your QX55 remotely from your compatible smartphone. With Virtual Key,³⁰ the driver can grant up to seven additional users access to lock or unlock doors, start the engine or open the liftgate.¹⁸ With Dual Camera Drive Recorder capturing events inside and outside, you'll be able to keep an eye on things.³¹



Black Rear Bumper Protector



INFINITI Radiant Exterior Welcome Lighting w/ Logo

EXTERIOR AND LIGHTING

Enhance the details to elevate the everyday. Maintain your style with a Black Rear Bumper Protector that helps protect your QX55 from scratches and scuffs when loading and unloading cargo.¹¹ For an added sense of security, the INFINITI Radiant Exterior Welcome Lighting w/ Logo illuminates the ground around your QX55 to welcome you in.

ADDITIONAL ACCESSORIES TO CONSIDER: INFINITI Black Radiant Illuminated Kick Plates, Trash Bin, Console Net, Seat Cover (2nd Row only), Seatback Organizer, Cargo Organizer,¹¹ Soft Sided Cargo Cooler, Cargo Net, Hatch Tent, Security Impact Sensor, USB Charging Cable Set,⁴ Tablet Holder, Affiliated: Yakima® RidgeBack 2 – Hitch Mount Bike Rack^{13,31}



Lifestyle Receiver³¹

LIFESTYLE

Keep your QX55 excursion-ready. The Lifestyle Receiver can accommodate INFINITI's line of Affiliated: Yakima® Accessories, including bike racks, snowboard carriers and other sports equipment – so you're one step closer to the slopes and trails.^{11,32}

INTERIOR

Out in the elements? Embrace your adventurous nature with All-Season Floor Mats that collect dirt and sand, preserving your interior foot wells. Along the way, protect your cargo area from wear and tear with a Black Reversible Cargo Area Protector, and keep important items out of sight with a Black Cargo Area Cover.¹¹



All-Season Floor Mats (4-piece set)



Black Cargo Area Cover, Black Reversible Cargo Area Protector

ACCESSORIES SHOWN: DARK METALLIC GRAY MESH GRILLE W/ BLACK SURROUND W/ CAMERA, 20" DIAMOND CUT BRIGHT METALLIC GRAY PAINTED WHEELS, FRONT SPLASH GUARDS, MATTE CHROME BODY SIDE MOLDINGS AND MATTE CHROME OUTSIDE MIRROR COVERS

This brochure is intended for general descriptive and informational purposes only. It is subject to change and does not constitute an offer, representation or warranty (express or implied) by Nissan North America, Inc. Interested parties should confirm the accuracy of any information in this brochure as it relates to a vehicle directly with an INFINITI Retailer before relying on it to make a purchase decision. Nissan North America, Inc. reserves the right to make changes, at any time, without prior notice, in prices, colors, materials, equipment, specifications, and models and to discontinue models or equipment. Due to continuous product development and other pre- and post-production factors, actual vehicle, materials and specifications may vary from this brochure. Some vehicles shown with optional equipment. See the actual vehicle for complete accuracy. Availability and delivery times for particular models or equipment may vary. Specifications, options and accessories may differ in Hawaii, U.S. territories and other countries. For additional information on availability, options or accessories, see your INFINITI Retailer or visit INFINITI website.

Final production vehicle may vary. Always wear your seat belt, and please don't drink and drive. ©2023 INFINITI. IN-17183 Reorder #24515i (9/23, 12.5K, KSL) ♻️ Reducing our environmental footprint is an important goal at INFINITI. That's why this brochure uses paper stock that is certified to contain a minimum of 10% post-consumer waste materials.

Drive With Confidence

INFINITI PREMIUM CARE

Keeping your INFINITI properly maintained keeps it thoroughly rewarding. That's why the INFINITI Premium Care maintenance program exists to help sustain confidence in your drive. INFINITI Premium Care gives you peace of mind in a constantly changing world with up to 36 months or your vehicle's designated mileage coverage (whichever occurs first) of routine maintenance, including: oil changes, tire rotations, brake fluid replacement, in-cabin microfilter replacement and Tire Road Hazard Protection.* Factory-trained technicians use Genuine INFINITI parts to ensure the utmost care, quality and performance. For more information, please visit your local retailer.

Coverage period for 2024 INFINITI models is the earlier to occur event of 36-months or model's designated mileage period, which is as follows: (i) 30,000 miles for 2024 Q50 & QX60; (ii) 22,500 miles for 2024 QX50 & QX55; and (iii) 45,000 miles for 2024 QX80. INFINITI Premium Care is provided through Elite Protection Program. For complete information concerning components covered, and those components which are excluded from coverage, read a sample Elite Protection Program contract at your retailer, and read your actual service contract because its terms, conditions, exclusions, and limitations control. In Florida, INFINITI Elite Extended Protection Program is backed by IESNA, Inc., P.O. Box 685004, Franklin, TN, 37068-5004, License #60128. ELITE* and Elite Protection Program are trademarks of Nissan North America, Inc.*Tire Road Hazard Protection is not available in Florida.

Stay Connected



[Facebook.com/INFINITI](https://www.facebook.com/INFINITI)



[Instagram.com/INFINITIUSA](https://www.instagram.com/INFINITIUSA)



[INFINITIUSA.com](https://www.INFINITIUSA.com)



[Twitter.com/INFINITIUSA](https://www.twitter.com/INFINITIUSA)



INFINITI™



Your Style Awakened

THE QX55 SENSORY

Insist on what you really want. The QX55 SENSORY is the pinnacle of INFINITI style and real-world ingenuity. You'll make a statement with the provocative Monaco Red interior, exclusive to this trim, while you're supported in the meticulously crafted semi-aniline leather-appointed seats. Elevate your focus with a Head-Up Display that projects information you want onto the front glass.²⁹ Plus, an Advanced Climate Control System²⁸ automatically adapts to exterior air quality to keep the cabin fresh. QX55: what's yours is here for the taking.



Black Natural Maple Wood⁵



Motion Activated Liftgate⁵

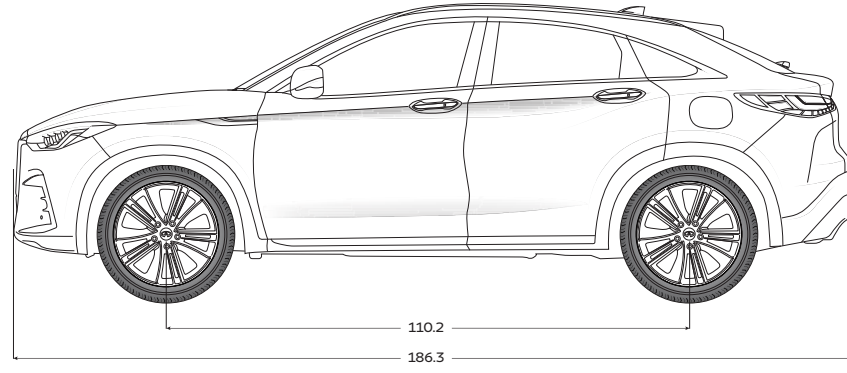
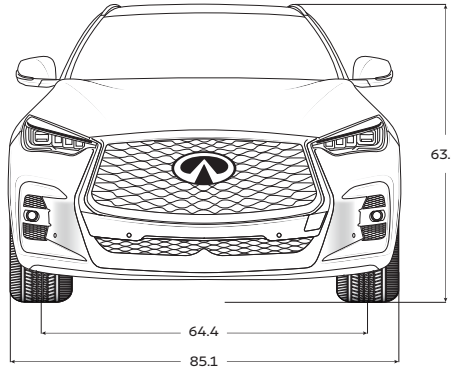
POISED FOR YOUR TAKING

Extend your style inward with the Black Natural Maple Wood open pore interior trim.⁵ The Motion Activated Liftgate⁵ grants you hands-free access to the cargo area, while metallic cargo area scuff plates⁵ offer added protection and understated flair. This is style and functionality that's simply waiting for you.

Technical Specs

Interior Dimensions	
Cargo volume ¹¹ – behind first-row (cubic feet)	54.1
Cargo volume ¹¹ – behind second-row (cubic feet)	26.9
Head room – first-row / second-row (inches)	39.9 / 36.9
Leg room – first-row / second-row (inches)	39.6 / 38.7
Capacity	
Fuel tank	16 gallons
Seating	5 passengers
Power & Fuel Economy	
Horsepower	268 hp @ 5,600 rpm
Torque	280 lb-ft @ 1,600–4,800 rpm
Estimated Fuel Economy ³ – city / highway / combined (mpg)	22 / 28 / 25

See infiniti.usa.com for complete list of specifications.



All dimensions are measured in inches.

¹ Available feature shown. Use feature only when safe and legal. Compatible device and service required. Subject to third party service availability. For more information see www.infiniti.usa.com/intouch/legal. ² World's first production variable compression engine launched by Nissan Motor Co., Ltd. in 2018. VC-Turbo® engine launched in model-year 2019 INFINITI vehicles. ³ 2024 QX55 EPA Fuel Economy Estimates 22 City/28 Highway/25 Combined. Actual mileage may vary with driving conditions. Use for comparison only. ⁴ Driving is serious business and requires your full attention. If you have to use the connected device while driving, exercise extreme caution at all times so full attention may be given to vehicle operation. External device not included. ⁵ Available on select models. ⁶ ProPILOT Assist cannot prevent collisions. It is the driver's responsibility to be in control of the vehicle at all times. Always monitor traffic conditions and keep both hands on the steering wheel. System operates only when lane markings are detected. Does not function in all weather, traffic and road conditions. System has limited control capability and the driver may need to steer, brake or accelerate at any time to maintain safety. See Owner's Manual for safety information. ⁷ Predictive Forward Collision Warning cannot prevent collisions. See Owner's Manual for safety information. ⁸ Rear Cross Traffic Alert may not detect all vehicles. See Owner's Manual for safety information. ⁹ Blind Spot Intervention and Blind Spot Warning cannot prevent all collisions and may not detect every object or warn in all situations. Driver should always turn and look before changing lanes. See Owner's Manual for safety information. ¹⁰ Intelligent All-Wheel Drive cannot prevent collisions or provide enhanced traction in all conditions. Always monitor traffic and weather conditions. ¹¹ Cargo and load capacity limited by weight and distribution. Always secure cargo. Heavy loading of the vehicle with cargo, especially on the roof, will affect the handling and stability of the vehicle. ¹² Do not ride in a moving vehicle when the seatback is reclined. For the most effective protection, the seat should be upright. See Owner's Manual for safety information. ¹³ Do not perform slide forward function with the Child Restraint System occupied. ¹⁴ Intelligent Cruise Control uses limited braking and is not a collision avoidance or warning system. Driver should monitor traffic conditions and brake as needed to prevent collisions. See Owner's Manual for safety information. ¹⁵ Sonar System may not detect every object. Driver should always check surroundings before driving. See Owner's Manual for safety information. ¹⁶ Never program while driving. GPS mapping may not be detailed in all areas or reflect current road status. ¹⁷ Available only on INFINITI vehicles with AT&T-compatible in-vehicle Wi-Fi hotspot capability. Subject to third party service availability. Trial activation required. Trial ends when all data is used or period ends, whichever comes first. Use features only when safe and legal. Data charges may apply. **Subject to AT&T Terms and conditions and its privacy policy, and are not within INFINITI's control. Visit www.att.com/csa for complete terms and conditions.** Trial subscription is subject to change or early termination at any time without notice. Trademarks and trade names are those of their respective owners. ¹⁸ Remote Engine Start to be used only in accordance with laws or rules in effect in your vehicle's location. ¹⁹ Vehicle must be on for the Easy-Fill Tire Alert to operate. ²⁰ Rear Door Alert System does not detect people or cargo. Always check rear seat before exiting. See Owner's Manual for safety information. ²¹ Forward Emergency Braking with Pedestrian Detection cannot prevent all collisions and may not provide warning or braking in all conditions. Driver should monitor traffic conditions and brake as needed to prevent collisions. See Owner's Manual for safety information. ²² Lane Departure Prevention and Lane Departure Warning only operate when lane markings are able to be detected. See Owner's Manual for safety information. ²³ Rear Automatic Braking cannot prevent all collisions and may not provide warning or braking in all conditions. Driver should always turn and check surroundings before driving and brake as needed to prevent collisions. See Owner's Manual for safety information. ²⁴ Tire Pressure Monitoring System is not a substitute for regular tire pressure checks. See Owner's Manual for safety information. ²⁵ Air bags are only a supplemental restraint system. Always wear your seat belt. Rear-facing child restraints should not be placed in the front-passenger's seat. All children 12 and under should ride in the rear seat properly secured in child restraints, booster seats or seat belts according to their size. Air bags will only inflate in certain accidents. See Owner's Manual for safety information. ²⁶ Around View Monitor with Moving Object Detection cannot eliminate blind spots and may not detect every object. Driver should always turn and check surroundings before driving. See Owner's Manual for safety information. ²⁷ Traffic Sign Recognition may not detect and read all traffic signs in all conditions. Driver should monitor all traffic signs and obey all traffic laws. See Owner's Manual for details. ²⁸ The Advanced Climate Control System with Plasmaclear™ air purifier helps scrub the air in the vehicle's interior. The system can sense exterior odors, can suppress unpleasant interior odors, can stop the inflow of external odors and helps keep the cabin smelling fresh, but does not always eliminate odors. ²⁹ Information displayed is dependent on how vehicle is equipped. Do not use for extended periods of time. See Owner's Manual for important safety information. ³⁰ Compatible smartphone required. Virtual Key to be used only in accordance with laws or rules in effect in your vehicle's location. Actual maximum distance for operation will vary depending on obstructions between compatible device and vehicle. ³¹ Dual Camera Drive Recorder to be used only in accordance with any laws or rules in effect in your vehicle's location that may apply to audio or video recordings of drivers and passengers. ³² All non-INFINITI Genuine Accessories are not warranted by INFINITI. Refer to accessory product manufacturer for warranty details. INFINITI limited warranty also does not cover damages or failures to the vehicle caused by improper installation, improper alterations, or use of non-INFINITI-affiliated parts/accessories. Contact your INFINITI retailer or read your vehicle's Warranty Information Booklet for details. ³³ Android™ and Android Auto™ are trademarks of Google LLC. To use Android Auto on your car display, you'll need an Android phone running Android 8 or higher, an active data plan, and the Android Auto app. Apple CarPlay™ and Siri™ are registered trademarks of Apple Inc. iPhone® is a registered trademark of Apple Inc. All rights reserved. iPhone® or other external device not included. Bluetooth® word mark and logos are owned by Bluetooth SIG, Inc., and any use of such marks by INFINITI is under license. Bose® is a registered trademark of BOSE Corporation. Facebook® is a registered trademark of Meta Platforms, Inc. HD Radio® is a registered trademark of iBiquity Digital Corporation. HomeLink® is a registered trademark of Gentex Corporation. Instagram™ is a registered trademark of Instagram, LLC. Plasmaclear™ is a registered trademark of the Sharp Corporation. The Sirius®, XM®, and SiriusXM® names and all related marks and logos are trademarks of Sirius XM Radio Inc. All other trademarks are the property of their respective owners. Twitter® is a registered trademark of Twitter, Inc. Yakima® is a registered trademark of Yakima Products, Inc.