



2015 MIRAGE





INTERIOR FEATURES (CONT.)	DE	ES
Silver shift panel (CVT only)	–	STD
Gloss black center panel	STD	STD
Instrument panel silver accent	–	STD
Material-color inner door handles	STD	–
Chrome-plated front inner door handles	–	STD
Driver and passenger sun visors with driver's side vanity mirror, lid and ticket holder	STD	STD
Carpeted floor mats	STD	STD
Fuel lid release lever	STD	STD
Rear shelf	STD	STD

CONVENIENCE FEATURES	DE	ES
MMES Navigation system with rearview camera	–	OPT
140-watt AM/FM/CD/MP3 audio system with 4 speakers	STD	STD
Bluetooth® hands-free phone system	ACC	STD
USB port	STD	STD
Steering wheel-mounted cruise control	–	STD
Steering wheel-mounted audio controls	–	STD
Steering wheel-mounted Bluetooth® controls (N/A when combined with Navigation System)	–	STD
FAST-Key passive entry system with panic alarm feature	–	STD
Push button start	–	STD
Keyless entry with panic alarm feature	STD	–
Power windows	STD	STD
Power door locks	STD	STD
12-volt accessory outlet (x1)	STD	STD
Floor center console with cup holders (x3)	STD	STD
Front door trim with pockets	STD	STD
Retractable assist grips (x2)	STD	STD
Glove box	STD	STD

SAFETY & SECURITY	DE	ES
Hill Start Assist (HSA) (CVT only)	OPT	OPT
Anti-lock Braking System (ABS) with Electronic Brakeforce Distribution (EBD) and brake assist	STD	STD
Active Stability Control (ASC)	STD	STD
Tire Pressure Monitoring System (TPMS)	STD	STD
Side curtain airbags	STD	STD
Driver's side knee airbag	STD	STD
Advanced dual-stage front airbags with occupant seat position sensors	STD	STD
Three-point seatbelts	STD	STD
Height-adjustable front shoulder belts with pretensioner	STD	STD
LATCH child-restraint system	STD	STD
Child safety rear door locks	STD	STD
Anti-theft engine immobilizer	STD	STD
RISE body construction	STD	STD

OPTION PACKAGES	Chrome Package available on DE and ES
Navigation Package available on ES	• Fog light garnish
• MMES Navigation system (replaces std. audio system head unit)	• Lower front grille garnish
• Rearview camera system	• Tailgate garnish
	• Meter hood garnish

Protection Package available on DE and ES	Cargo Package available on DE and ES
• Color-keyed front and rear mudguards	• Cargo mat
• Rear bumper protector (black)	• Cargo net
• Scuff plates	

Exterior Package available on DE and ES	LED Illumination Package available on DE and ES
• Front and rear bumper extensions	• Floor illumination (blue)
• Side sill extensions	• Center console illumination (blue)
• Exhaust finisher	• Room lamp

Park Assist Package available on DE and ES	ACCESSORIES
• Front and rear park assist sensors	Bluetooth® handsfree system available on DE
	Cargo tray available on DE and ES
	Wheel locks available on ES
	Fog lights available on DE
	Body side molding (black) available on DE and ES
	Color-keyed body side molding available on DE and ES

- FOOTNOTES**
1. Claim based on EPA estimated 40 MPG Combined. Actual mileage may vary.
 2. Based on EPA highway mileage rating. Actual mileage may vary.
 3. iPod® is a registered trademark of Apple Computer, Inc.
 4. The Bluetooth® word mark and logos are owned by the Bluetooth SIG, Inc., and any use of such marks by Mitsubishi is under license.
 5. Airbags are part of a Supplemental Restraint System (SRS). To decrease the risk of injury from a deploying airbag, always wear your seat belt, sit upright in the middle of the seat, and do not lean against the door. Always place children 12 and under in the rear seat and use appropriate child restraints. Never place a rear-facing infant restraint in the front seat. See your Owner's Manual and instructions provided with your child restraint for additional information.
 6. Hill Start Assist Control only available when equipped with CVT.
 7. EPA estimates are to be used as a standardized comparison with other vehicles. Your actual mileage will vary depending on how you drive and maintain your vehicle.

[–] NOT AVAILABLE [STD] STANDARD [OPT] FACTORY PACKAGE FEATURES AND OPTIONS SUBJECT TO CHANGE WITHOUT NOTICE.

GO BIG.

Are there parts of your own city you haven't explored? Maybe a road trip or two you've been putting off? Waiting for the perfect time? Well, it's time to start thinking big. Go out and expand your comfort zone. Find your impulsive side. The Mitsubishi Mirage isn't just one of the most affordable cars in the country, it's also one of the most fuel efficient. Which means you can fill it up and put your hard-earned money to use exploring every flea market, karaoke bar, or late-night diner within almost 400 miles of you...yes, on a single tank. So check out the new restaurant on the other side of town. Get living in the 2015 Mirage. It's a small car for a big life.

FIND YOUR OWN LANE. MITSUBISHICARS.COM



DESIGN P.02



ECOLOGY P.06



TECHNOLOGY P.12



SAFETY P.16



SPECIFICATIONS P.20

 DESIGN

FUN ISN'T COMPLICATED

It's true, the Mirage was designed for efficiency, but above all, it was designed for fun. Inside and out, Mirage offers a clean and playful design. Its compact size and nimble handling make it ideal for navigating any city. Plus, there's plenty of space to bring along your friends or your stuff — or both. And with eight exciting colors to choose from, Mirage is as playful as your sense of style.



FILL WITH FRIENDS

Despite its compact size, Mirage is capable of accommodating up to five people. How did we manage it? We started by optimizing the layout, finding subtle ways to carve out more room. Next, we optimized certain components of the engine to reduce the amount of space needed in the engine compartment. That allowed us to effectively nudge the cabin's front wall forward. Those small adjustments add up to 103.3 cubic feet of space.

A BIG LIFE DESERVES A BIG VIEW

It stands to reason that a more expansive life leads to a broader perspective. As it happens, Mirage's canopy design offers extra tall windows, which help you gain that perspective with exceptional visibility.

STANDARD REAR SPOILER

Sometimes it's the small details that make the biggest difference. Take this rear spoiler, for example. Sure, it looks cool, but it also enhances aerodynamic performance by reducing air turbulence on the rear of the vehicle.

SPLIT FOLDING REAR SEAT

Adding versatility to hospitality, this convenient feature helps you accommodate large or oddly shaped items in the back. Like, say, a bike or a Great Dane.



 **ECOLOGY**

RETHINK GREEN

Enjoy efficient performance without the excessive price. By dramatically reducing vehicle weight and by optimizing its aerodynamics, our engineers were able to decrease Mirage's moving resistance and achieve its class-leading combined fuel-efficiency. In fact, it's the most fuel-efficient non-hybrid gasoline car in America, boasting a combined mileage rating of 40 mpg¹. What's more, those big mileage numbers are complemented by a small carbon footprint, as Mirage's CO₂ emissions rating is one of the best in its class².





SCIENTIFICALLY SLEEK

Don't let a thing like wind slow you down. With the help of computer-aided design software, our designers sculpted a simple, aerodynamic shape that slips easily through the atmosphere. How easily? In a wind tunnel, Mirage's exterior achieved a low 0.28 coefficient of drag.

MITSUBISHI INNOVATIVE VALVE TIMING ELECTRONIC CONTROL

The Mirage features the latest generation of Mitsubishi Innovative Valve timing Electronic Control (MIVEC). This advanced variable valve-timing system helps maximize fuel efficiency while greatly minimizing smog-forming exhaust emissions.





CONTINUOUSLY VARIABLE TRANSMISSION

An advanced Continuously Variable Transmission (CVT) with Idle Neutral Logic helps the engine run as smoothly and efficiently as possible. Because it operates on a pulley system that allows infinite variability between the highest and lowest ratios, the CVT automatically optimizes effective torque on the fly. It's a huge reason why Mirage saves you money at the pump.

1.2-LITER ENGINE

Mirage is equipped with a 1.2-liter 3-cylinder DOHC engine that produces a balanced 74 horsepower and 74 lb.-ft. of torque. Coupled with either a smooth shifting 5-speed manual transmission or an available Continuously Variable Transmission (CVT), this small power plant plays big.

ELECTRIC POWER STEERING

Mirage's Electric Power Steering system not only offers a superior turning radius, but can also improve your gas mileage. Without the burden of a belt-driven hydraulic pump, the engine doesn't have to work as hard and runs more efficiently. Whether you're parking or traveling at freeway speed, the system ensures a predictable and comfortable driving experience.





TECHNOLOGY

INNER FULFILLMENT

You'll not only be comforted by the interior features in Mirage, you'll be amazed. In fact, it's one of the most well equipped vehicles in its class. Along with its many high-tech features, you'll also find a wealth of the thoughtful touches, including ergonomically designed driver controls and rich, high-gloss piano black trim on the center console.



TOUCHSCREEN ENTERTAINMENT WITH NAVIGATION

Sometimes a big life needs a little direction. That's why the Mirage ES offers an available touchscreen Mitsubishi Multi Entertainment System (MMES) with navigation. This system features a 7-inch touchscreen that allows control of the navigation feature and the many entertainment options, and several vehicle functions, such as the handy rearview camera.

AUTOMATIC CLIMATE CONTROL

Fussing around with AC controls is so last year. To help keep Mirage's cabin comfy, this standard feature automatically monitors the temperature, fan speed, and air source.

140-WATT AUDIO SYSTEM

Your life deserves an epic soundtrack. The Mirage delivers a 140-watt audio system with 4 speakers. The dynamic system features AM/FM/CD/MP3 capability and USB/iPod® input³.



FAST-KEY SYSTEM

Mirage's available Freehand Advanced Security Transmitter (FAST-Key) makes it feel like you have super powers. Or at least a super advanced set of keys. With FAST-Key you can lock or unlock the front door with the keys tucked safely in your pocket or purse, and also start the engine with the push of a button.

BLUETOOTH® TECHNOLOGY

To help you concentrate on the road ahead, Mirage is equipped with available Bluetooth technology⁴. This advanced feature lets you make phone calls hands-free, and play music from your Bluetooth-enabled phone, iPod®, or other MP3 player and USB devices.



 SAFETY

COMPACT CONFIDENCE

Your wellbeing is always top of mind with our engineers. That's why the small Mirage is so big on safety. It's loaded with active safety features to help you stay out of harm's way and passive safety features to help protect you should trouble prove unavoidable. We believe the unexpected should never catch you unprepared.



REINFORCED IMPACT SAFETY EVOLUTION BODY

Utilizing high-tensile steel, Reinforced Impact Safety Evolution (RISE) body engineering provides occupant protection in the event of a collision. RISE combines energy-absorbing front and rear structures with a super-rigid occupant cell, along with reinforcing bars in the doors and energy-absorbing materials in the side pillars.

SEVEN STANDARD AIRBAGS

Mirage features a standard Supplemental Restraint System (SRS) that provides seven airbags, including dual-stage front airbags, front side airbags, side curtain airbags and a driver's knee airbag⁵.

ANTI-LOCK BRAKE SYSTEM

The standard 4-wheel Anti-lock Brake System (ABS) with Electronic Brake-force Distribution (EBD) and Brake Assist is a key active safety feature on Mirage. ABS helps prevent brakes from locking up by pulsing brake pressure to help you stay in control in emergency braking situations.

ACTIVE STABILITY CONTROL AND TRACTION CONTROL

One of the most reassuring advancements ever developed, Active Stability Control (ASC) with Traction Control Logic (TCL), helps drivers maintain control in adverse driving conditions and during emergency maneuvers. Sensors monitor traction and activate the anti-lock braking system when it detects skidding and/or a loss of traction. Applying the brakes on specific wheels, the system helps the vehicle track in the driver's intended direction.



AVAILABLE REARVIEW CAMERA

Don't let anything sneak up on you. Mirage offers an available rearview camera that displays an image of the area directly behind the vehicle on the navigation screen to help prevent you from backing into any surprises.

TIRE PRESSURE MONITOR SYSTEM

Proper tire pressure is always important for safe driving and fuel efficiency. The Tire Pressure Monitoring System (TPMS) evaluates the pressure of the tires and issues a warning if the pressure becomes low.

HILL START ASSIST

When you're accelerating from a standstill on a steep incline, Hill Start Assist (HSA)⁶ helps prevent the vehicle from rolling backward. When activated, the feature holds the brakes for approximately two seconds as you switch from the brake pedal to the accelerator.

10-YEAR/100,000-MILE POWERTRAIN LIMITED WARRANTY

Mirage's 10-year/100,000-mile powertrain limited warranty and roadside assistance is one of the most comprehensive plans in the industry. How can we offer it? Easy. We've been building some of the world's best-engineered automobiles for nearly a century. It's one more way the compact Mirage inspires big confidence.

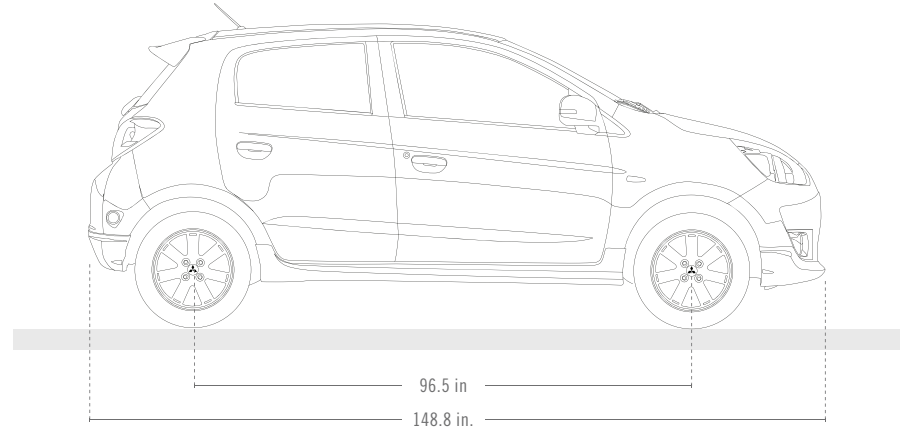
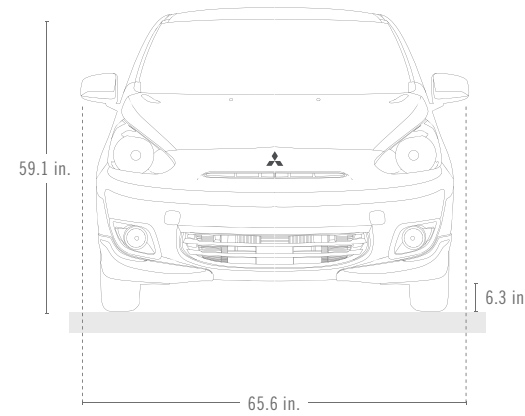
10-year
100,000-mile
POWERTRAIN LIMITED WARRANTY



SPECIFICATIONS

EXTERIOR

MIRAGE







EXTERIOR DIMENSIONS

Height	59.1 in.
Width	65.6 in.
Ground clearance	6.3 in.

EXTERIOR DIMENSIONS





Length	148.8 in.
Wheelbase	96.5 in.
Tread/Track, front	56.3 in.
Tread/Track, rear	55.7 in.

EXTERIOR COLORS

EXTERIOR COLORS	DE	ES
Cloud White 	○ 1	○ 2
Starlight Silver 	● 1	● 2
Thunder Gray 	● 1	● 2
Mystic Black 	● 1	● 2

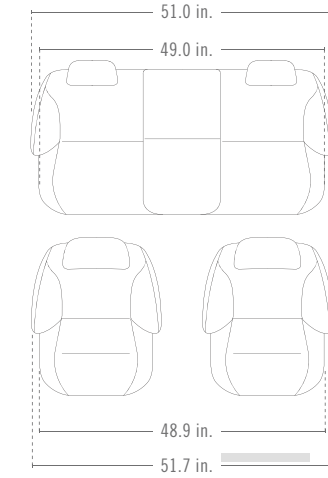
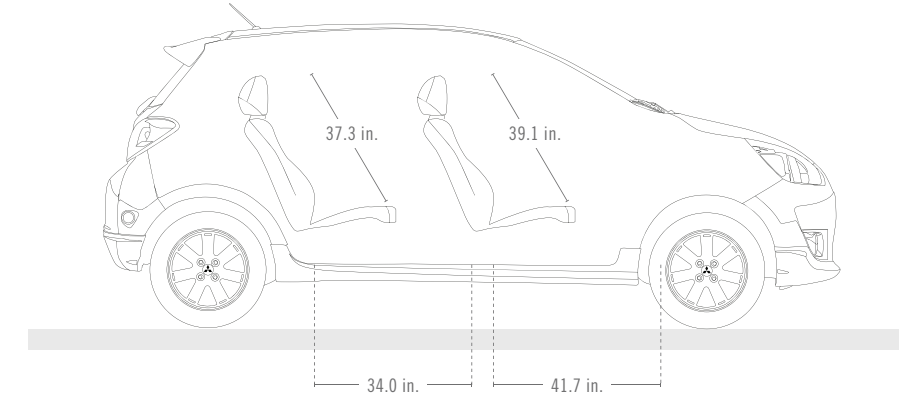
The numbers indicate interior colors / trims available with exterior vehicle color.

EXTERIOR COLORS

EXTERIOR COLORS	DE	ES
Kiwi Green 	● 1	● 2
InfraRed 	● 1	● 2
Sapphire Blue 	● 1	● 2
Plasma Purple 	● 1	● 2

INTERIOR

MIRAGE



INTERIOR DIMENSIONS

INTERIOR DIMENSIONS	Head Room	Shoulder Room	Leg Room	Hip Room
Front	39.1 in.	51.7 in.	41.7 in.	48.9 in.
Rear	37.3 in.	51.0 in.	34.0 in.	49.0 in.

SAE VOLUME

Interior volume	103.3 cubic ft.
Passenger volume	86.1 cubic ft.
Cargo volume – rear seats up	17.2 cubic ft.
Cargo volume – rear seats down	47.0 cubic ft.

INTERIOR COLORS



1) DE Fabric



2) ES Fabric

WARRANTY

See retailer for limited warranty and roadside assistance terms and conditions.

Powertrain	10-year/100,000-mile limited
Basic	5-year/60,000-mile limited
Anti-corrosion/perforation	7-year/100,000-mile
Roadside assistance	5-year/unlimited-mile 3-year/36,000-mile (i-MiEV only)

Log on to our website and browse our full lineup of new vehicles, get MSRP and customer rebate information and "build" the Mitsubishi that's right for you. The site can help you locate your nearest dealer - or even have a dealer contact you.

The 10-year/100,000-mile Powertrain Limited Warranty applies only to the original owner of new, retailed 2015 models purchased from an authorized Mitsubishi dealer. Subsequent owners receive the balance of the New Vehicle Limited Warranty of 5 years/60,000 miles. Different coverage applies to the Mitsubishi i-MiEV, Lancer RALLIART and Evolution. The Mitsubishi i-MiEV, Lancer RALLIART and Evolution have 3-year/36,000-mile coverage for New Vehicles and 5-year/60,000-mile coverage for Powertrain Limited Warranty.

Technical data, equipment and options shown are based on the latest information available at the time of printing and are subject to change without notice. Colors may vary due to the printing process. Exterior and interior lights on vehicles shown may be illuminated for illustration purposes only. Vehicles are shown with optional equipment. Not all equipment is available on every model. For more complete details about equipment configuration and Mitsubishi Genuine Accessories, please contact your Mitsubishi Retailer.

Mitsubishi Motors North America, Inc.
6400 Katella Ave., Cypress, CA 90630-0064
1-888-MITSU2015

ENGINE	DE	ES	FUEL ECONOMY	DE	ES
Type	1.2L MIVEC DOHC, 12-valve Inline 3-cylinder	1.2L MIVEC DOHC, 12-valve Inline 3-cylinder	CVT City / Highway / Combined (mpg) 5MT City / Highway / Combined (mpg)	37/ 44/ 40 34/ 42/ 37	37/ 44/ 40 34/ 42/ 37
Materials	Aluminum head/ Aluminum block	Aluminum head/ Aluminum block	EXTERIOR FEATURES	DE	ES
Bore x stroke	75.0mm x 90.0mm	75.0mm x 90.0mm	Halogen headlights	STD	STD
Compression ratio	10.5:1	10.5:1	Fog lights	ACC	STD
Displacement	1193cc	1193cc	High mount rear stop light	STD	STD
Horsepower @ RPM (BHP)	74@6000 rpm	74@6000 rpm	Lower side air dam	STD	STD
Torque @ RPM (lb.-ft.)	74@4000 rpm	74@4000 rpm	Rear spoiler	STD	STD
Fuel system	ECI-MULTI	ECI-MULTI	Color-keyed front and rear bumpers	STD	STD
TRANSMISSION	DE	ES	Color-keyed folding side-view mirrors	STD	—
5-speed manual transmission	STD	STD	Color-keyed folding side-view mirrors with turn signals	—	STD
INVEC-III Continuously Variable Transmission (CVT)	OPT	OPT	Color-keyed outer door handles	STD	STD
CVT automatic ratios	4.007 - 0.550	4.007 - 0.550	Color-keyed tail gate handle	STD	STD
Front wheel drive (FWD)	STD	STD	Front windshield variable intermittent wipers and washers	STD	STD
SUSPENSION	DE	ES	Rear intermittent wiper	STD	STD
Front	MacPherson type strut with stabilizer bar	MacPherson type strut with stabilizer bar	Power side-view mirrors	STD	STD
Rear	Torsion beam	Torsion beam	Rear window defroster with timer	STD	STD
STEERING	DE	ES	Laminated windshield	STD	STD
Type	Rack-and-pinion, Electric Power Assist	Rack-and-pinion, Electric Power Assist	14" steel wheels with wheel covers	STD	—
Turn circle - curb to curb (ft)	30.2 ft.	30.2 ft.	14" alloy wheels	—	STD
BRAKES/ TIRES/ WHEELS	DE	ES	Space saver temporary spare tire	STD	STD
Front	Ventilated disc	Ventilated disc	Door sash black out	STD	STD
Rear	Drum brake	Drum brake	Short pole antenna	STD	STD
Anti-lock brakes	STD	STD	INTERIOR FEATURES	DE	ES
Wheels	14 in. steel with covers	14 in. aluminum alloy	Speedometer/ tachometer gauge cluster	STD	STD
Tires	165/65R14	165/65R14	ECO status indicator light	STD	STD
CAPACITIES	DE	ES	Front room light	STD	STD
Passenger seating	5	5	Cargo light	STD	STD
Fuel	9.2 gallons	9.2 gallons	4-way adjustable driver's and front passenger seat	STD	—
WEIGHTS	DE	ES	6-way adjustable driver's seat; 4-way adjustable front passenger seat	—	STD
GVWR (5MT/CVT)	2,910 lbs / 3,020 lbs	2,910 lbs / 3,020 lbs	Split folding high-back rear seat	STD	STD
Curb weight (5MT/CVT)	1,973 lbs / 2,029 lbs	1,996 lbs / 2,051 lbs	Rear seat head restraints (x2)	STD	STD
			Automatic air condition climate control	STD	STD
			Micron air filtration	STD	STD
			Rear heater floor ducts	STD	STD
			Chrome accents for HVAC	STD	STD
			Leather-wrapped steering wheel	—	STD
			Urethane steering wheel	STD	—
			Tilt steering wheel	STD	STD
			Silver painted meter bezel	—	STD
			Leather-wrapped shift knob with silver accent	—	STD



At Mitsubishi, we believe not all drivers are created equal. So we build our vehicles for a different breed of driver, the fearless ones who take pride in what they drive, and refuse to drive more of the same. It's obvious to us that people who truly want distinctive styling and the latest technology see past the procession of bland imitations. We believe that every vehicle we make should stand for something. Something more than expected. And that's why we don't build Mitsubishi cars for stereotypes. We build them for you.

MITSUBISHICARS.COM 1.888.MITSU2015 NATLBRO-15-003

RECYCLED
Paper made from
recycled material

