



**TOYOTA**

# ***LAND CRUISER 70 SERIES***



# LAND CRUISER 70 SERIES



## CONTENTS

- 01 |  INTRODUCTION: LAND CRUISER 70 SERIES
- 03 |  THE LAND CRUISER 76 STATION WAGON
- 05 |  THE LAND CRUISER 78 WAGON
- 07 |  THE LAND CRUISER 79 SINGLE CAB
- 09 |  THE LAND CRUISER 79 DOUBLE CAB
- 13 |  ENGINE AND PERFORMANCE
- 15 |  ACCESSORIES
- 16 |  THE LAND CRUISER SPEC SHEET
- 18 |  TOYOTACARE



70 Series

# AS RUGGED AS AFRICA



The indestructible Land Cruiser 70 series surrenders to no challenge; it is steadfast and bold. This range of vehicles is built to perform and work as hard as you do, which is why they have been at the helm of 4x4 African motoring for more than 60 years. Tackling the toughest of terrains with ease, the Land Cruiser 70 series is truly as rugged as Africa.

The Land Cruiser 70 series is available in four models:

**Land Cruiser 76 Station Wagon**

**Land Cruiser 78 Wagon**

**Land Cruiser 79 Single Cab**

**Land Cruiser 79 Double Cab**



Model shown: Land Cruiser 79 Double Cab

70 Series **76 STATION WAGON**

# EMBARK ON AN AFRICAN ADVENTURE

If you're planning on venturing into the wild open country, the Land Cruiser 76 Station Wagon is the perfect vehicle to see it all and get away from it all. Its spacious interior can seat up to five adults in comfort with extra space for luggage. The vehicle also has an increased fuel capacity of 130 litres to take you further into the wilderness.

The Land Cruiser 76 Station Wagon has the flexibility of a five-seater with the formidable ability of a 4x4, making it the perfect vehicle to witness the wonder of nature with the whole family.

## The Interior

Even though the Land Cruiser 76 Station Wagon is about roughing it in the great outdoors, its interior is comfort-centred. A front-centre console helps keep everything in its place, plus the back pockets on the driver and front passenger seats give the rear passengers space to store whatever they need for the journey ahead. A fully adjustable rear bench adds extra seating space for up to five passengers, while the station wagon's impressive proportions allow ample legroom for all its occupants. For convenience, the Land Cruiser 76 has electrically adjustable windows. To keep your head nodding on the long trips, an audio system with a radio/CD player, an auxiliary connector and USB port is standard. An audio navigation system ensures that you're always in control of your route.

## The Exterior

The Land Cruiser 76 is much more than a station wagon! Everything about it is rugged, from its imposing 230 mm ground clearance down to the 16" alloy wheels. Its already strong-featured look is taken to the next level with the painted and chrome front bumper, while the aluminium side steps make getting in and out of the Land Cruiser 76 simple. The rear combination lamps improve nighttime visibility.



Model shown: Land Cruiser 76 Station Wagon

**SUTHERLAND.**

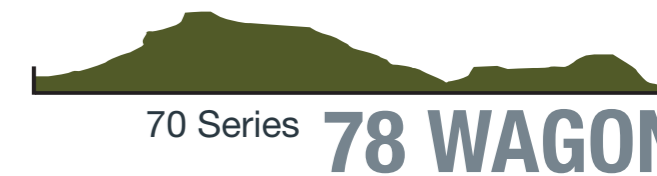
**TO SEE THE BRIGHTEST STARS  
IN THE WORLD YOU NEED TO  
GO TO THE COLDEST PLACE IN  
SOUTH AFRICA, A PLACE  
WHERE TEMPERATURES  
FALL TO  $-16.4^{\circ}\text{C}$ .  
TAKE THE ANCIENT ROAD  
TO SUTHERLAND. ABOVE  
YOU, YOU'LL FIND THE  
MAP OF THE UNIVERSE AS  
A BELT OF BRILLIANCE.  
BELOW YOUR LAND CRUISER,  
THE ROCKS OF MILLENNIA PAST.**

## RICHTERSVELD NATIONAL PARK.

IT'S DRY. IT'S HOT.  
TEMPERATURES SOARING TO 53°C.  
THE RICHTERSVELD SEES 50 MM  
OF RAIN A YEAR.  
IT'S A JUXTAPOSITION OF VARYING  
DEGREES, LANDSCAPES AND  
WEATHER PATTERNS.  
NOTHING HERE IS CERTAIN EXCEPT  
UNCERTAINTY ITSELF,  
BUT WITH THE LAND CRUISER  
YOU CAN BE SURE THAT YOU'LL  
GET THERE AND BACK AGAIN.



Model shown: Land Cruiser 78 Wagon



# GO BEYOND THE USUAL

Designed to tackle the toughest terrain and the most demanding jobs, the multi-purpose Land Cruiser 78 Wagon is both the ideal off-road people carrier and guaranteed to get any type of job done. A total fuel tank capacity of 180 litres makes it ideal for long trips in remote areas where petrol stations are few and far between. With the wagon any job, anywhere is doable.

## THE EXTERIOR

Virtually indestructible, the Land Cruiser 78 Wagon is powerful and easy to maintain even in isolated places. Its exterior styling is as robust as its off-roading performance with its extended front bumper, front fog lamps, rear combination lamps, front and rear mud-guards, rear and side steps completing this vehicle's all-powerful looks.

## THE INTERIOR

The interior offers ample space and comfort, with increased head clearance and air conditioning. The easy-to-clean vinyl floor only requires a wiping down to keep it clean and spotless. For convenience, the Land Cruiser 78 Wagon has electric windows and for safety a day/night interior rear view mirror, which dims the reflection of the lights of vehicles behind. The Land Cruiser 78 Wagon also comes equipped with a high-grade speedometer and tachometer.

70 Series **79 SINGLE CAB**

# BRAVELY COMBAT THE TERRAIN

This vehicle is the ultimate workhorse for the tough African environment. It has got the power and capacity to take charge of the most demanding conditions and even with a full one-ton load, this pick-up will go wherever you take it.

## THE EXTERIOR

The Land Cruiser 79 Single Cab is reliable through and through. Its all-welded integral cabin provides extra strength and safety, which reduces dust/water entry and corrosion that could result from deep water driving. The heavy-duty frame, suspension and drivetrain ensure it can carry the heaviest of loads, both on and off-road. This is aided by the super long wheelbase of 3180 mm. Front fog lamps, alloy wheels and chrome finishes on the grille and door handles make the Land Cruiser 79 Single Cab not only practical but adds an edgy style to it as well.

## THE INTERIOR

The interior of the Land Cruiser 79 is not only practical, it's built to be comfortable for the driver and passenger no matter where their work takes them. An air conditioner to ensure you're never at the mercy of the weather, regardless of the temperature outside, is a standard feature. Cup holders to keep your drinks spill-free, and the lockable glove box to safely stow-away your possessions are two other standard features. For convenience, the Land Cruiser 79 Single Cab also has electrically adjustable windows.



Model shown: Land Cruiser 79 Single Cab

**SWARTBERG PASS.**

**A LIFELINE BETWEEN THE TOWNS  
OF THE GROOT KAROO AND  
KLEIN KAROO.**

**THE UNTARRED ROAD LEADS  
TO THE SUMMIT 1 583 METRES  
ABOVE SEA LEVEL IN STEEP  
ZIGZAGS AND**

**SUDDEN SWITCHBACKS.**

**IT'S DANGEROUS, YES.**

**BUT EVERY BIT WORTH THE THRILL.**

**IN THE LAND CRUISER YOU'LL FIND  
NO DANGER, JUST ADVENTURE AWAITS.**

70 Series **79 DOUBLE CAB**

# DO ANYTHING, EXPLORE EVERYWHERE

The Land Cruiser 79 Double Cab is a new addition to the Land Cruiser 70 range. It comes equipped with the durability of the Land Cruiser 79 Single Cab and the extra advantage of rear seating space in the cabin. The Double Cab is multi-functional – it's strong enough to carry heavy loads and is versatile enough to transport five occupants in comfort.



Model shown: Land Cruiser 79 Double Cab

## THE EXTERIOR

Taming the African wild is no mean feat. A certain resilience is needed, something the Land Cruiser 79 Double Cab has got in bakkie loads. This vehicle delivers a go-anywhere carrying capacity in style. The Land Cruiser 79 comes standard with chrome finishes on the grille and door handles, aluminium side steps, as well as front fog lamps. The load bay is 1525 mm in length and 1600 mm wide with a load capacity of 920 kg in the diesel model and 1005 kg in the petrol model.



Tilt adjustable steering wheel



Dash shown: Land Cruiser 79 Double Cab



## THE INTERIOR

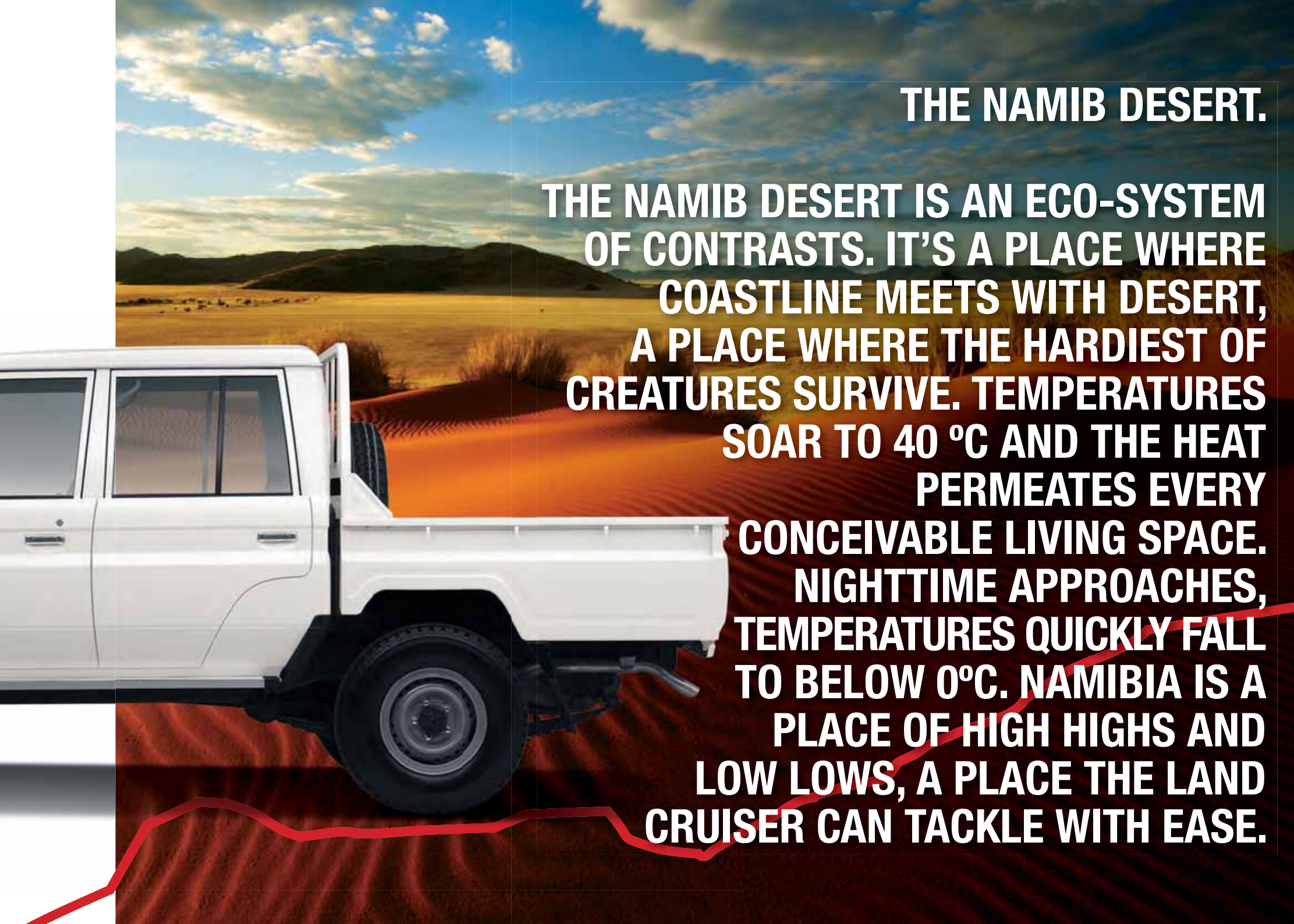
The Land Cruiser 79 Double Cab's exterior is made to be indestructible but its interior features afford you and your passengers the highest level of comfort. Electrically adjustable windows and an air conditioner to make even the hottest of places bearable, while an audio system with a radio/CD player with an auxiliary connector and USB port makes sure you're never bored on desolate stretches of road.



Centre console of the Land Cruiser 79 Double Cab



Driver and front passenger seat back pockets (not available on the Land Cruiser 78 Wagon)



## THE NAMIB DESERT.

THE NAMIB DESERT IS AN ECO-SYSTEM OF CONTRASTS. IT'S A PLACE WHERE COASTLINE MEETS WITH DESERT, A PLACE WHERE THE HARDIEST OF CREATURES SURVIVE. TEMPERATURES SOAR TO 40 °C AND THE HEAT PERMEATES EVERY CONCEIVABLE LIVING SPACE. NIGHTTIME APPROACHES, TEMPERATURES QUICKLY FALL TO BELOW 0°C. NAMIBIA IS A PLACE OF HIGH HIGHS AND LOW LOWS, A PLACE THE LAND CRUISER CAN TACKLE WITH EASE.



# POWER OVER THE WILDERNESS

The Land Cruiser 70 range is suited for any call up; its two powerful and reliable engine options conquer the toughest of terrains. The 4.2 litre diesel engine delivers power of 96 kW @ 3800 r/min and torque of 285 Nm @ 2200 r/min, while the 4.0 litre petrol engine available only on the Land Cruiser 79 Single Cab and Double Cab delivers power of 170 kW @ 5600 r/min\* and torque of 360 Nm @ 3800 r/min.

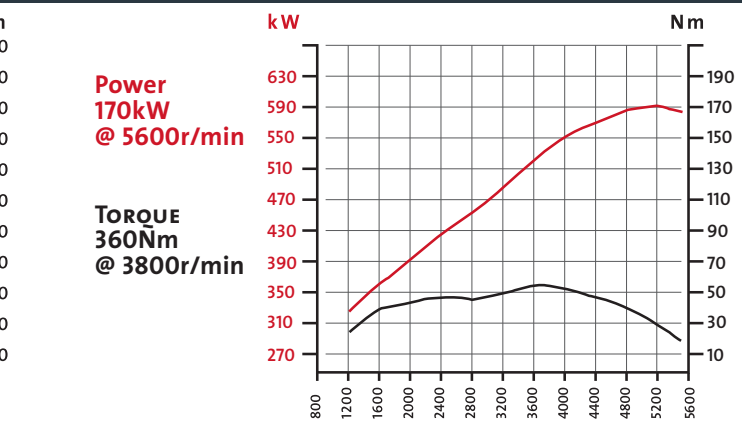
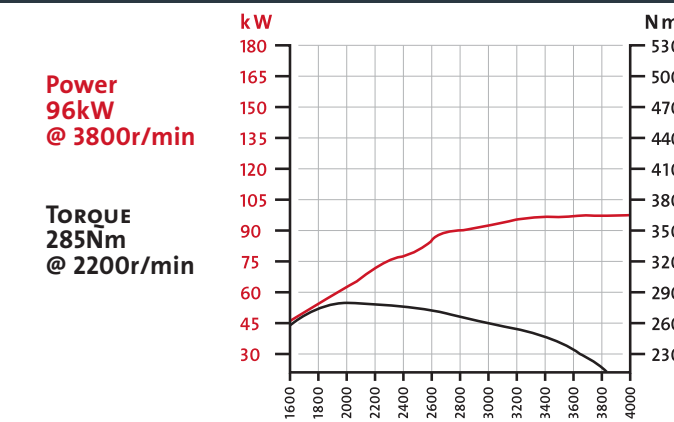
The Land Cruiser 70 range features a 5-speed manual transmission and an additional 4-position 4-wheel drive transfer lever, giving the driver maximum control. Its coil spring rigid axle front suspension, in combination with its long wheelbase, offers outstanding directional stability at any speed, in any condition. A leaf spring rigid axle rear suspension ensures that occupants are always comfortable. The Land Cruiser 76 has an impressive ground clearance of 230 mm, while the Land Cruiser 78 and 79 models are 235 mm above the ground, allowing the vehicles to handle off-road conditions with confidence.



4.2 LITRE DIESEL



4.0 LITRE PETROL

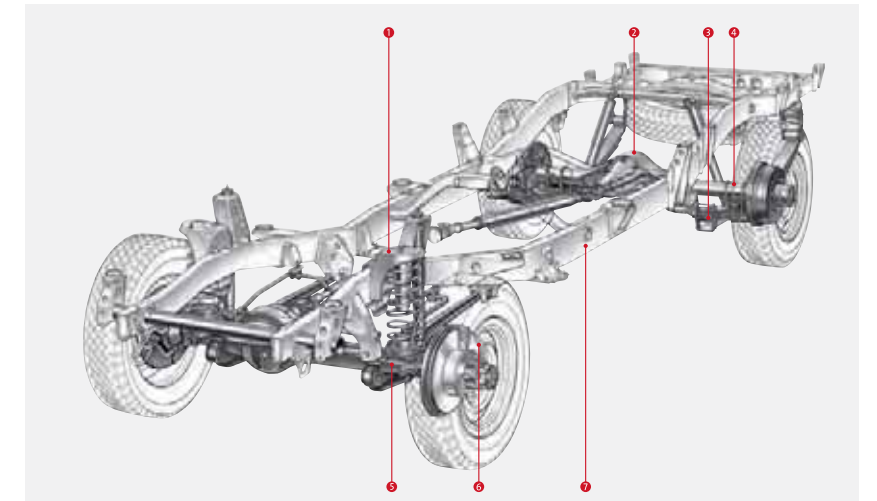


\*Power and torque figures shown: Land Cruiser 79 Single Cab Petrol model

## PROTECTION FROM THE ELEMENTS (and anything else Africa throws at you)

It takes ultimate courage to stand up to the challenges that make Africa uniquely African. The Land Cruiser 70 range is confidently geared to withstand whatever perilous conditions it encounters; its safety and security standards are class-leading.

Driver and front passenger airbags are standard on all models, and the extended front bumper prevents unnecessary airbag response when driving off-road. The Land Cruiser 70 range comes with an additional safety feature, the Anti-lock Braking System (ABS) which prevents wheels from locking up when driving on slippery surfaces. Differential-locks on all models give extra traction to the rear-wheels to help you negotiate your way out of difficult situations. Ventilated front brakes and rear disc brakes make stopping easier on any terrain. For security and peace of mind, all the vehicles in the Land Cruiser 70 range are fitted with an immobiliser, alarm and central locking.



- 1 Coil spring front suspension for good roadholding and ride comfort
- 2 Heavy duty, durable differential pinions (Single Cab)
- 3 Long rear leaf springs
- 4 Strong and durable drive shafts
- 5 Durable solid front axle
- 6 Ventilated front disc brakes
- 7 Extra-strong heavy duty ladder frame



FRONT COIL SPRING SUSPENSION



STATION WAGON LEAF SUSPENSION



HEAVY DUTY LEAF SUSPENSION

# BECAUSE EVERY AFRICAN CHALLENGE IS DIFFERENT...

The Land Cruiser 70 series range is made to work for you and with you, whatever job you might have. Choose from our long list of accessories that best suit your Land Cruiser:

## ACCESSORIES

Product/Item	LC76	LC78	LC79 SC	LC79 DC
Airbag compatible steel bumper replacement. To be ordered in conjunction with bumper replacement fitting kit.	•	•	•	•
Detachable towbar with towing capacity of 1500 kg.	•	•		
Rear step towbar combination with towing capacity of 1500 kg.		•		•
Radio - 2Din radio/CD/MP3.		•	•	
Navigation SD card.	•	•	•	•
Navigation system.		•	•	
Cattle rails.			•	

FOR A FULL RANGE OF ACCESSORIES PLEASE ASK YOUR DEALER FOR AN ACCESSORIES BROCHURE OR VISIT [WWW.TOYOTA.CO.ZA](http://WWW.TOYOTA.CO.ZA)

## SPECIFICATIONS

LAND CRUISER 70 SPECIFICATIONS	76 Station Wagon Diesel 4.2ℓ	78 Wagon Diesel 4.2ℓ	79 Single Cab Diesel 4.2ℓ	79 Single Cab Petrol 4.0ℓ	79 Double Cab Diesel 4.2ℓ	79 Double Cab Petrol 4.0ℓ
<b>Engine and drivetrain</b>						
Engine type	1HZ	1HZ	1HZ	1GR-FE	1HZ	1GR-FE
Number of cylinders and arrangement	6-in-line	6-in-line	6-in-line	6V	6-in-line	6V
Valve mechanism	12 valve, SOHC	12 valve, SOHC	12 valve, SOHC	24 valve, DDHC with VVT-i	12 valve, SOHC	24 valve, DDHC with VVT-i
Maximum power (kW @ r/min)	96 @ 3800	96 @ 3800	96 @ 3800	170 @ 5600	96 @ 3800	170 @ 5200
Maximum torque (Nm @ r/min)	285 @ 2200	285 @ 2200	285 @ 2200	360 @ 3800	285 @ 2200	360 @ 3800
Fuel system	Distributor type	Distributor type	Distributor type	Electronic fuel injection (EFI)	Distributor type	Electronic fuel injection (EFI)
Fuel	Diesel	Diesel	Diesel	Petrol	Diesel	Petrol
Selectable four-wheel drive with D-ALH	BF1B,Direct	BF1B,Direct	BF1B,Direct	HF1A, Direct	BF1B,Direct	HF1A, Direct
5-speed manual transmission	•	•	•	•	•	•
4-Position 4WD transfer lever	•	•	•	•	•	•
Differential lock	•	•	•	•	•	•
Suspension (front): Standard, rigid live axle, coil spring	•	•	•	•	•	•
Suspension (rear): Standard, rigid axle, leaf spring	•	•	•	•	•	•
Front brakes: Ventilated disc	•	•	•	•	•	•
Rear brakes	•	•	•	•	•	•
<b>Wheels and tyres</b>						
Wheels	16" alloy	16" steel	16" alloy	16" alloy	16" steel	16" steel
Tyre size	265/70 R16C 7JJ	7.50R16-8(E)5.50F	265/70 R16C 7JJ	265/70 R16C 7JJ	7.50R16-8(E)5.50F	7.50R16-8(E)5.50F
<b>Body and styling</b>						
Painted and chrome front bumper	•	Moulding	•	•	•	•
Rear bumper	Plated	Black painted				
Aluminium side steps	•	Painted steel	•	•	•	•
Over fenders	Front and rear		Front	Front		
Front and rear mud guards	•	•	•	•	•	•
Front and rear towing hook	•	•	•	•	•	•
Chrome package	•	•	•	•	•	•
Front fog lamps	•	•	•	•	•	•
Rear combination lamp	•	•				
<b>Interior, comfort and convenience</b>						
Power steering	•	•	•	•	•	•
Steering column adjustments - Tilt and collapsible and telescopic	•	•	•	•	•	•
Rear window demister	•					
Front bottle holder	•	•	•	•	•	•
Seat back pockets (driver and front passenger)	•	•	•	•	•	•
Trailer wiring harness	•	•	•	•	•	•
Remote Fuel lid opener	•					
Clock	•	•	•	•	•	•
Satellite navigation system with traffic management	•				•	•
Radio and CD player	•				•	•
Auxiliary, USB and MP3 compatible	•				•	•
Day/night interior rear view mirror	•	•	•	•	•	•
Electrically adjustable windows	•	•	•	•	•	•
Air conditioner	•	•	•	•	•	•
Glove box with key	•	•	•	•	•	•
Accessory connector (12V)	•	•	•	•	•	•
Front door pockets						
Floor cover	Carpet	Vinyl	Vinyl	Vinyl	Vinyl	Vinyl

# SPECIFICATIONS Continued

LAND CRUISER 70 SPECIFICATIONS	76 Station Wagon Diesel 4.2ℓ	78 Wagon Diesel 4.2ℓ	79 Single Cab Diesel 4.2ℓ	79 Single Cab Petrol 4.0ℓ	79 Double Cab Diesel 4.2ℓ	79 Double Cab Petrol 4.0ℓ
<b>Safety and security</b>						
ABS (Anti-lock Braking System)	•	•	•	•	•	•
Driver and front passenger airbags	•	•	•	•	•	•
Collapsible steering wheel	•	•	•	•	•	•
High mount brake light	•	•	•	•	•	•
Front seat belts: 2x3-point ELR (Emergency Locking Retractor)	•	•	•	•	•	•
Rear seat belts: 2x3-point ELR and 1x2-point	•	•	•	•	•	•
Power door lock (driver side key linked)	•	•	•	•	•	•
Central locking	•	•	•	•	•	•
Immobiliser / Alarm	•	•	•	•	•	•
<b>Dimensions and capacity</b>						
Seating capacity	5	5	2	2	5	5
Approach angle (degrees)	36	38	38	38	38	38
Departure angle (degrees)	23	25	29	29	29	29
Front track (mm)	1555	1515	1555	1555	1515	1515
Rear track (mm)	1460	1420	1460	1460	1420	1420
Length (mm)	4760	4990	5095	5095	5095	5095
Height (mm)	1940	2115	1970	1970	1960	1960
Width (mm)	1870	1770	1770	1770	1770	1770
Wheelbase (mm)	2730	2980	3180	3180	3180	3180
Ground clearance	230	235	235	235	235	235
Gross vehicle mass (GVM)	3060	3200	3200	3200	3200	3200
Fuel tank (litres)	130	90 + 90	90 + 90	90 + 90	130	130
Load capacity (kg)	815	970	1060	1135	920	1005
Towing capacity (kg): Unbraked trailer	750	750	750	750	750	750
Towing capacity (kg): Trailer with overrun brake	3500	3500	3500	3500	3500	3500
Turning circle (Tyres, m)	6.3	6.8	7.2	7.2	6.3	7.2
Maximum speed	150	145	140	165	150	165
Cargo space height (mm)	1115	1265	415	415	415	415
Cargo space length (mm)	940	1245	2235	2235	1525	1525
Load area width (mm)	1525	1510	1600	1600	1600	1600

## LC 76 STATION WAGON, LC 78 WAGON AND LC 79 DOUBLE CAB COLOURS (MODEL SHOWN: LAND CRUISER 78 WAGON)



Ivory White (058)



Satin Silver Metallic (1F7)



Golden Beige Metallic (4R3)



Sand Beige (4E9)



Graphite Grey Metallic (1G3)



Ruby Metallic (3Q3)



Dark Blue (8H6)

## COLOURS BY SPECIAL ORDER

## LC 79 SINGLE CAB STANDARD COLOURS (MODEL SHOWN: LAND CRUISER 79 SINGLE CAB)



Ivory White (058)



Sand Beige (4E9)



Satin Silver Metallic (1F7)



Graphite Grey Metallic (1G3)

## COLOURS BY SPECIAL ORDER



Ruby Metallic (3Q3)



Golden Beige Metallic (4R3)



Dark Blue (8H6)

## ToyotaCare

Buying a Toyota signals the start of an exciting journey, from the moment you take ownership of your vehicle until the day you trade it in, ToyotaCare promises specialised vehicle maintenance through Toyota Quality Service and the exclusive use of Toyota Genuine Parts. With ToyotaCare our endeavour is to provide an unparalleled ownership experience through outstanding customer service and complete peace of mind.

## TOYOTA GENUINE EXTENDED WARRANTY

All Land Cruiser 70 series models are covered by a Toyota Warranty for a period of 3 years or a maximum of 100 000 kms against any defective materials and workmanship. Included in the cover is 24 hour Roadside Assistance, a 3-year Corrosion Perforation Warranty and a 12-month warranty on the vehicle's battery. The standard Toyota Warranty can be extended through the purchase of a Toyota Genuine Extended Warranty up to a maximum of 6 years or 220 000 kms.

The Toyota Genuine Extended Warranty offers the same level of cover as the standard Toyota Warranty (except for paint and trim), is not subject to any claim limits and is the only warranty extension product endorsed by Toyota South Africa Motors. The Toyota Genuine Extended Warranty offers exceptional value through its superlative cover and includes 24 hour Roadside Assistance for the period of cover. Insist on the Toyota Genuine Extended Warranty and ensure complete peace of mind motoring.

## TOYOTA GENUINE EXTENDED SERVICE PLAN

A Toyota Genuine Extended Service Plan is available on all Land Cruiser 70 series models and can be specified for any number of services up to a maximum of 7 years or 200 000 kms. This plan will provide for all scheduled service parts (filters and spark plugs), consumables (engine oil, brake fluid and engine coolant) as well as the associated labour costs.

## TOYOTA MAINTENANCE PLAN

The Toyota Maintenance Plan offers cover for a maximum of 5 years or 200 000 kms and includes all scheduled services as well as wear and tear items (excluding tyres) and electrical components. This means absolute hassle-free motoring as all service and maintenance costs are covered.

For more detailed features and benefits on the Toyota Genuine Extended Service Plan, Genuine Extended Warranty and Maintenance Plan, please consult with your Toyota dealer or visit [www.toyota.co.za/toyotacare](http://www.toyota.co.za/toyotacare)

## ToyotaCare ROADSIDE ASSISTANCE PROGRAMME

The ToyotaCare Roadside Assistance Programme is applicable to all Land Cruiser 70 series models covered by a Toyota Warranty or Toyota Genuine Extended Warranty and entitles you to 24-hour roadside assistance. The ToyotaCare Roadside Assistance Programme is applicable in South Africa, Namibia, Botswana, Swaziland and Lesotho.

For more details on ToyotaCare Services and Toyota Genuine Products, visit [www.toyota.co.za/toyotacare](http://www.toyota.co.za/toyotacare) or consult with your Toyota dealer.

## TOYOTA FINANCIAL SERVICES

At Toyota Financial Services, we believe that purchasing your Toyota should be as enjoyable as driving it. Toyota Financial Services is the fast, flexible and convenient means of financing your Land Cruiser 70 series. We have created a range of financial products that suit both private and business customers, easily accessible through your local Toyota dealer. We take the hassle out of arranging finance. Toyota Financial Services (South Africa) (Pty) Ltd is an authorised Financial Services (FSP no. 7454) and Registered Credit Provider (NCRCP62).

For the most current information on prices and specifications, as well as comprehensive information about products offered by Toyota Financial Services, visit [www.toyota.co.za/finance](http://www.toyota.co.za/finance)

**DISCLAIMER:** The information contained in this brochure is provided as is and without any warranties of any kind, whether expressed or implied, including but not limited to, implied warranties of satisfactory quality, fitness for a particular purpose and/or correctness. The contents of this brochure are for general information purposes only and do not constitute advice. Toyota Motor Corporation of Japan and Toyota South Africa Motors (Pty) Limited does not represent or warrant that the information and/or specifications contained in this brochure are accurate, complete or current and specifically stipulates that certain vehicle details and specifications contained in this brochure may differ in available models. Therefore, neither Toyota Motor Corporation of Japan nor Toyota South Africa Motors (Pty) Limited make any warranties or representations regarding the use of the content, details, specifications, or information contained in this brochure in terms of their correctness, accuracy, adequacy, usefulness, timeliness, reliability or otherwise, in each case to the fullest extent permitted by law.



