



# VOLVO S90





*“Sensus is our way of enabling you to communicate instinctively with your car, and keep you connected with your digital world.”*

## **YOU'RE IN CONTROL, NATURALLY.**

### ***SENSUS***

---

Nothing rounds off a drive in your car better than luxuriating in the rich sound of your favourite piece of music. And our three sound systems – Premium Sound by Bowers & Wilkins, Harman / Kardon audio and High Performance Sound – turn any drive into a momentous experience.

Thanks to Sensus Connect, which is standard, you can stream your favourite tunes from your device to your car via Bluetooth®. You can also use Bluetooth® or WiFi tethering to connect your Volvo S90 to the Internet via your device. You can then browse the web and access a variety of internet radio and media apps.

With Sensus Navigation, you can view your route on the centre display with touch screen functionality. And with smartphone integration you can use the centre display to access your smartphone as well. And if you would like to connect devices physically, USB-ports are provided as well.

*“Relax and let your Volvo do the hard work for you.”*

*“Our Drive-E powertrains give you an exhilarating driving experience with smooth, instant response and a reduced environmental impact.”*

## COMMITTED TO SAFETY.

## SUSTAINABLE DRIVING IS EXCITING.

### *INTELLISAFE*

---

Since the birth of Volvo Cars in 1927, keeping you safe has been part of our DNA. We have pioneered safety advances and invented life-saving technologies, such as the three-point safety belt. We have also equipped all of our cars with safety cages and laminated windscreens since 1944. In 1976, we developed the catalytic converter and the lambda sond, a sensor that monitors exhaust gas, reducing emissions and boosting performance as well as economy.

Today, we are building cars that actively scan the area around you, looking out for the unexpected. Volvo pioneered City Safety, a collision avoidance technology that helps prevent collisions even up to highway speeds.

We were the world's first car manufacturer to include this feature as standard equipment in all new models.

We also developed Pedestrian Detection, a system that detects pedestrians and brakes the car when necessary, and we will not stop there. Cyclist Detection and Large Animal Detection are recent additions to the system.

Tracker Connect provides access to roadside assistance and emergency support at the touch of a button. In the future, our aim is to design cars that will prevent collisions with other road users altogether.

### *DRIVE-E*

---

At the heart of every Volvo we make is our approach to sustainable driving and innovative thinking. We offer a range of technologies that give you greater efficiency and lower running costs.

Our Drive-E powertrains combine the low fuel consumption and emissions of a four cylinder engine with the performance of a six or eight cylinder engine. The result is a smooth, powerful drive, with fewer stops at the pumps. We also offer an interior Air Quality System that checks incoming air for pollutants and

closes the vents when necessary – we call this CleanZone. An active carbon filter helps protect you from harmful gases and unpleasant odors, so you can breathe happy and healthy.

At Volvo Cars, we always strive to make our manufacturing process sustainable. All of the electricity for our factories in Sweden and Belgium comes from clean hydro-electric or wind power. Environmentally-aware mobility is central to our philosophy of intelligent, thoughtful luxury.

# VOLVO S90 FEATURE EXPLANATION

---

## **CITY SAFETY WITH FRONT COLLISION WARNING AND FULL AUTOBRAKE**

Included as standard in your S90 is City Safety, which senses potential collisions, even when it is dark, and can activate the brakes automatically should you not react in time. City Safety provides three levels of intervention; warning, brake support uses a complex array of instruments and sensors to constantly monitor surrounding conditions. The Adaptive Cruise Control feature maintains the desired set vehicle speed but utilises radar to monitor the vehicle in front and automatically slows down or speeds up as necessary. In an evolution of this, Pilot Assist also takes care of the steering (up to 130 km/h and when lane markings are clearly visible) by continually monitoring the area in front of the vehicle, making the necessary steering, accelerator and brake inputs as required to keep to the desired speed, distance and within the lane markings.

---

## **PEDESTRIAN, CYCLIST AND LARGE ANIMAL DETECTION**

The groundbreaking Pedestrian, Cyclist and Large Animal Detection technology detects and automatically brakes the vehicle in the event of a pedestrian, cyclist or large animal (such as cattle) stepping / swerving / jumping out in front of the car. The advanced sensor system scans the area ahead and will prompt you to act with a flashing warning light, along with an audible alarm. If you do not react to the warning, and a collision is imminent, the car immediately brakes with full braking force.

---

## **REAR COLLISION MITIGATION**

Rearward facing radar detects if a rear impact is imminent, and safety belts are tightened in advance in order to protect the occupants. Lights also start flashing to warn the driver behind and brakes are activated to help reduce the impact movement.

---

## **DRIVER ALERT CONTROL WITH LANE KEEPING AID**

Cameras constantly monitor the S90's position on the road, warning the driver with sound and / or taking action by automatically correcting the steering - if roadside markings are crossed without obvious reason such as the use of the turn indicator. And if the Driver Alert Control determines a deterioration in driving behaviour, a warning sound and display message encourages the driver to take a break.

---

## **ROAD SIGN INFORMATION**

The S90 can also help you stay informed by displaying real-world road sign information within your instrument display. This function also has the ability to warn the driver should the vehicle exceed the current road speed limit.

---

## **ACTIVE HIGH BEAM**

This feature enables the car to switch between low and high beam automatically. It also allows for maximum road illumination without blinding other road users.

---

## **BLIND SPOT INFORMATION SYSTEM WITH CROSS TRAFFIC ALERT**

The Blind Spot Information System uses radar to alert the driver to vehicles within the mirror blind spots, on either side of the vehicle. Cross Traffic Alert uses radar to provide information to the driver about vehicles approaching from the side - for example when reversing out of a parking space.

---

## **PARK ASSIST PILOT**

This function allows the car to take over steering control in difficult parallel or perpendicular parking spots. The driver is prompted to control the throttle, braking and gear inputs. The "park out" function also assists in exiting tighter spots.

---

## **VISUAL PARK ASSIST 360° CAMERAS**

During low speed manoeuvres, the Visual Park Assist 360° Cameras provide the driver with additional information relating to the car's surroundings. A birds-eye view of the car is provided via four hidden cameras, digitally stitched together to create a seamless image on the centre screen.

---

## **ACTIVE FOUR-C CHASSIS**

Features different modes that can be selected by the driver according to their personal preference. Air suspension also ensures that the vehicle remains level irrespective of passenger and load configuration.

---

## **ROAD EDGE DETECTION AND RUN-OFF ROAD PROTECTION**

Road Edge Detection uses a camera to monitor the position of the vehicle in relation to the road markings and applies steering input as necessary if it detects that the vehicle is about to leave the road even when there is no painted road edge. Should the vehicle inadvertently leave the road, the front seat belts are automatically tightened whilst the front seat frames contain a collapsible section designed to reduce vertical forces by up to one third - thus reducing the likelihood of spinal injuries.

---

## **AUTOBRAKE AT INTERSECTIONS**

Should the S90 detect that you have turned in front of an oncoming vehicle at an intersection, the brakes will be automatically applied in order to mitigate the risk of a collision. In addition, at speeds above 30 km/h, and if a collision is unavoidable, the front seat belts are automatically tightened.

---







## CHOICES THAT MAKE YOUR VOLVO AS UNIQUE AS YOU ARE

Choose the Volvo S90 R-DESIGN and the S90 receives a first class attitude adjustment - inside and out. Boldly provocative yet tastefully reserved, the exclusive R-DESIGN styling elements and sports chassis express a definitive passion for sport. From its aggressive nose with larger intakes to the rear diffuser with dual integrated exhaust tailpipes, the Volvo S90 R-DESIGN exudes confidence at every turn.



**R-DESIGN upholstery**

Settle back in unique off black Nubuck perforated leather sports seats.

**R-DESIGN decor inlay**

The dashboard and door panel inlays convey a sporty, contemporary feel.

**Sports gear knob**

A sporty gear knob with perforated leather, gives a performance ready look and feel.

**Sports pedals**

Enhance the driving experience with these tough, ridged sports pedals.

**Sports steering wheel**

EveryR-DESIGN model features an exclusive sports steering wheel with embossed logo.

**Sports floor mats**

Look down and you will see exclusive sports floor mats that set the stage, front and back.

*Volvo Brand Experience.*

## DISCOVER THE ROOTS OF VOLVO CARS AND A WORLD OF SWEDISH ENJOYMENT.

Welcome to the Volvo Brand Experience, a unique way to experience more of your new Volvo. For R50,000.00 per couple, you will be able to enjoy:

- Two round-trip tickets.
- Two-night stay in Gothenburg, Sweden – the home of Volvo.
- An exciting tour to the Volvo factory and Volvo Museum.
- A special VIP experience at the exclusive Volvo Factory Delivery Centre.

This immersive experience will give you first-hand knowledge of what makes your new Volvo different.

T&C's apply, subject to availability.

“Cars are driven by people. The guiding principle behind everything we make, therefore is – and must remain – safety” Gustaf Larson and Assar Gabrielsson, Volvo’s founders. These days we are driven by other things too, including innovative technology, beautiful design, environmental care and quality. All to ensure we continue to build great cars.



8

## RED CARPET TREATMENT FROM START TO FINISH.

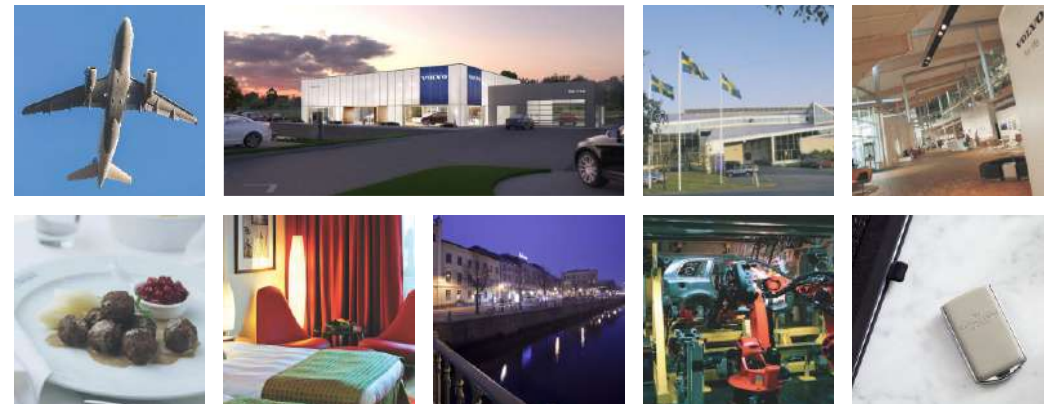
The programme includes two return tickets to Sweden from South Africa as well as luxury accommodation and dining for two days in the heart of Volvo's hometown, Gothenburg.

Once landed, a luxury Volvo transfer will pick you up and take you through to Gothenburg, where a new take on the world of Volvo and our Swedish heritage awaits. You will visit our Torslanda factory and see exactly how your Volvo is made, with a special behind-the-scenes tour and an English-speaking guide.

The Volvo Museum is also in the programme, where our rich lineage of cars is on display – including our concept cars, experimental technologies and our most famous production models.

You will also enjoy a vehicle handover which matches your purchase. You will be shown the ins and outs of your new car by a Volvo Brand Experience professional who will immerse you in your new world of Swedish luxury.

Of course, a fine dining restaurant will complete the experience, and you will get a taste for traditional Swedish food like our traditional meatballs or *kottbullar*.





**COLOUR YOUR VOLVO.** When it comes to the appearance of your Volvo, the choice of exterior colour and wheels are probably your most important design decisions. For more exterior styling options and to build your new Volvo online, please visit [www.volvocars.com/za](http://www.volvocars.com/za) and go to Build your Volvo.



019 Black Stone  
solid



467 Magic Blue  
metallic



477 Electric Silver  
metallic (i)



614 Ice White  
solid (i)



707 Crystal White  
pearl metallic (i)



711 Bright Silver  
metallic (i)



714 Osmium Grey  
metallic (i)



717 Onyx Black  
metallic (i)



720 Bursting Blue  
metallic (ii)



721 Mussel Blue  
metallic



722 Maple Brown  
metallic



723 Denim Blue  
metallic

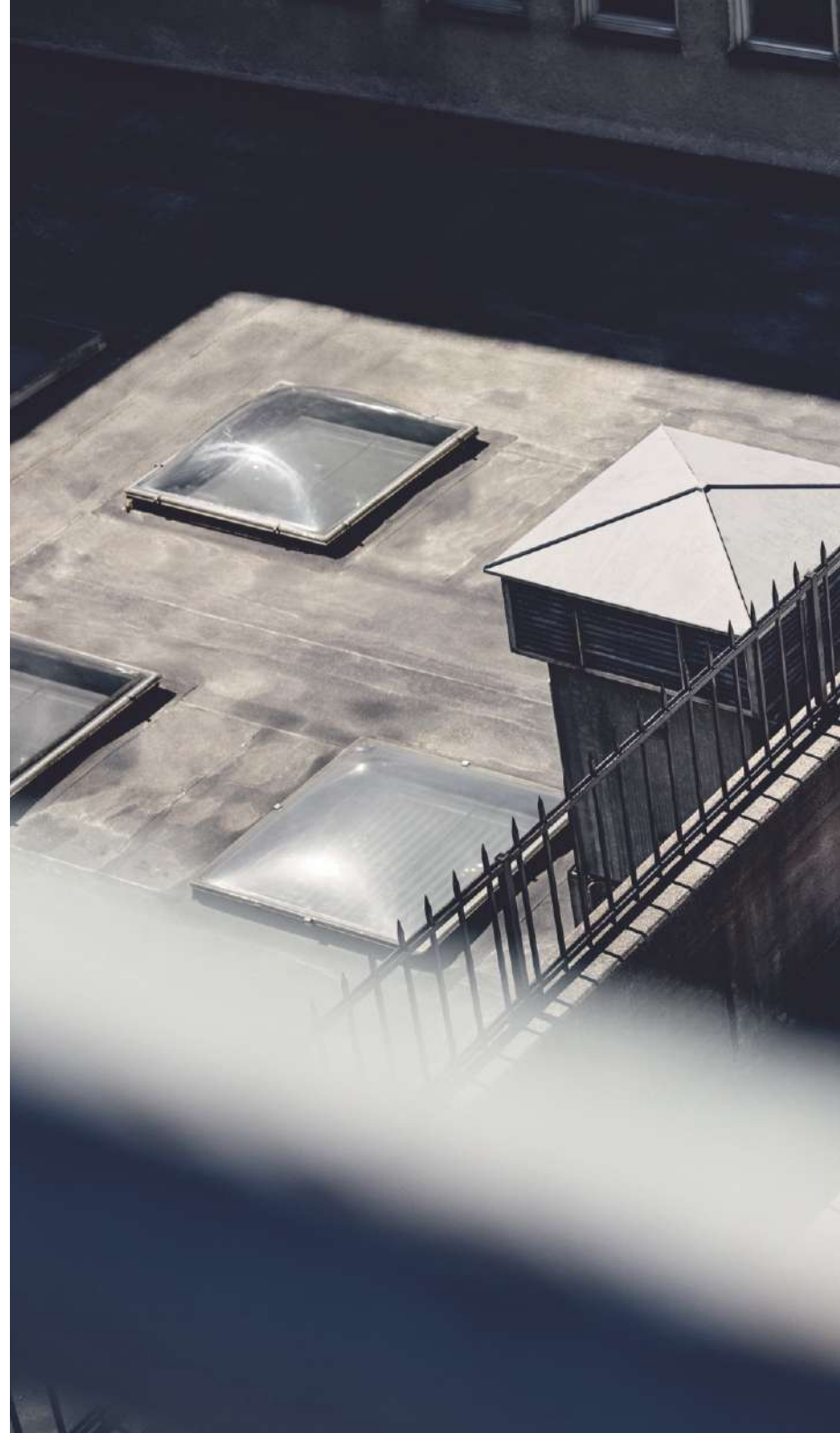


724 Pine Grey  
metallic

(i) Also available on  (ii)  only

**Please note:** It is not possible to reproduce exact original shades in printed matter. Please ask your dealer to show you samples.

**CLEAN COLOURS.** To reduce usage of environmentally hazardous solvents all Volvo exterior colours are water-based. What is more, our painting facilities are among the cleanest in the world.





**EXTERIOR DESIGN. S90 Alloy wheels.**

DC: Diamond Cut



18" 10-spoke turbine,  
silver bright top cut



18" 5-double-spoke,  
silver bright



19" 10-spoke turbine, silver, DC



19" 5-triple-spoke,  
tech matt black, DC



19" 5-spoke, matt black, DC  
(**R-DESIGN** only)



20" 8-spoke, silver, DC



20" 5-double spoke,  
matt black, DC  
(**R-DESIGN** only)



21" 5-double-spoke,  
matt black, DC  
(**R-DESIGN** only)

**BESPOKE TAILORING FROM VOLVO.** The finest fabrics, superb stitching and exacting attention to detail – whichever interior you choose for your Volvo S90, you will be surrounded by luxury. How will you tailor yours?

**NB** It is not possible to reproduce exact original shades in printed matter.

Code	Description	Interior colour	Upholstery colour	Upper dashboard	Door panel, lower dashboard & upper tunnel console	Base and inlay carpets	Door panel inserts	Headliner colour
<b>Standard leather</b>								
RA00	Charcoal in charcoal	Charcoal	Charcoal	Charcoal	Charcoal	Charcoal	Charcoal	Blond
RA20	Amber in charcoal	Charcoal	Amber	Charcoal	Charcoal	Charcoal	Amber	Charcoal
RA30	Maroon brown in charcoal	Charcoal	Maroon brown	Charcoal	Charcoal	Charcoal	Maroon brown	Blond
WA00	Blond in blond	Blond	Blond	Charcoal	Blond	Blond	Blond	Blond
UA00	Blond in charcoal	Blond	Blond	Charcoal	Blond	Charcoal	Blond	Blond
<b>Nappa Soft Leather</b>								
RB00	Charcoal in charcoal	Charcoal	Charcoal	Charcoal	Charcoal	Charcoal	Charcoal	Blond
RB20	Amber in charcoal	Charcoal	Amber	Charcoal	Charcoal	Charcoal	Amber	Charcoal
RB30	Maroon brown in charcoal	Charcoal	Maroon brown	Charcoal	Charcoal	Charcoal	Maroon brown	Blond
WB00	Blond in blond	Blond	Blond	Charcoal	Blond	Blond	Blond	Blond
UB00	Blond in charcoal	Blond	Blond	Charcoal	Blond	Charcoal	Blond	Blond
<b>Nappa Soft Leather - Sport contour seat</b>								
RB01	Charcoal in charcoal	Charcoal	Charcoal	Charcoal	Charcoal	Charcoal	Charcoal	Blond
RB21	Amber in charcoal	Charcoal	Amber	Charcoal	Charcoal	Charcoal	Amber	Charcoal
WB01	Blond in blond	Blond	Blond	Charcoal	Blond	Blond	Blond	Blond
UB01	Blond in charcoal	Blond	Blond	Charcoal	Blond	Charcoal	Blond	Blond
<b>Nappa Soft Leather - Perforated &amp; Ventilated</b>								
RC00	Charcoal in charcoal	Charcoal	Charcoal	Charcoal	Charcoal	Charcoal	Charcoal	Blond
RC20	Amber in charcoal	Charcoal	Amber	Charcoal	Charcoal	Charcoal	Amber	Charcoal
RC30	Maroon brown in charcoal	Charcoal	Maroon brown	Charcoal	Charcoal	Charcoal	Maroon brown	Blond
WC00	Blond in blond	Blond	Blond	Charcoal	Blond	Blond	Blond	Blond
UC00	Blond in charcoal	Blond	Blond	Charcoal	Blond	Charcoal	Blond	Blond
<b>R-Design Upholstery</b>								
RB0R	Suede / Nappa sport leather	Charcoal	Charcoal	Charcoal	Charcoal	Charcoal	Charcoal	Charcoal
RC0R	Nappa Sport leather	Charcoal	Charcoal	Charcoal	Charcoal	Charcoal	Charcoal	Charcoal



RA00



RB00



RC00



RB01



RA20



RB20



RC20



RB21



RA30



RB30



RC30



WB01



WA00



WB00



WC00



UB01



UA00



UB00



UC00



RB0R (R-DESIGN)



RC0R (R-DESIGN)

**INTERIOR DETAILS.** A selection of premium materials to complement your interior upholstery.



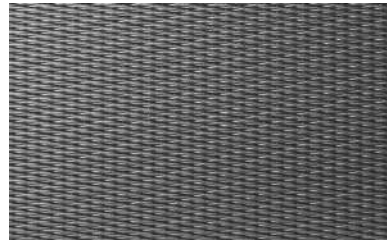
Leather steering wheel, Off black



Dual tone Blond / Off black steering wheel, leather



Iron Ore decor inlay



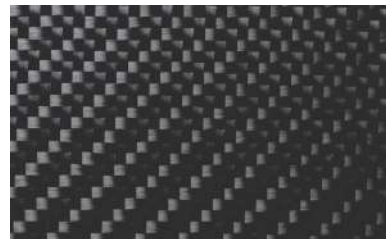
Metal Mesh decor inlay



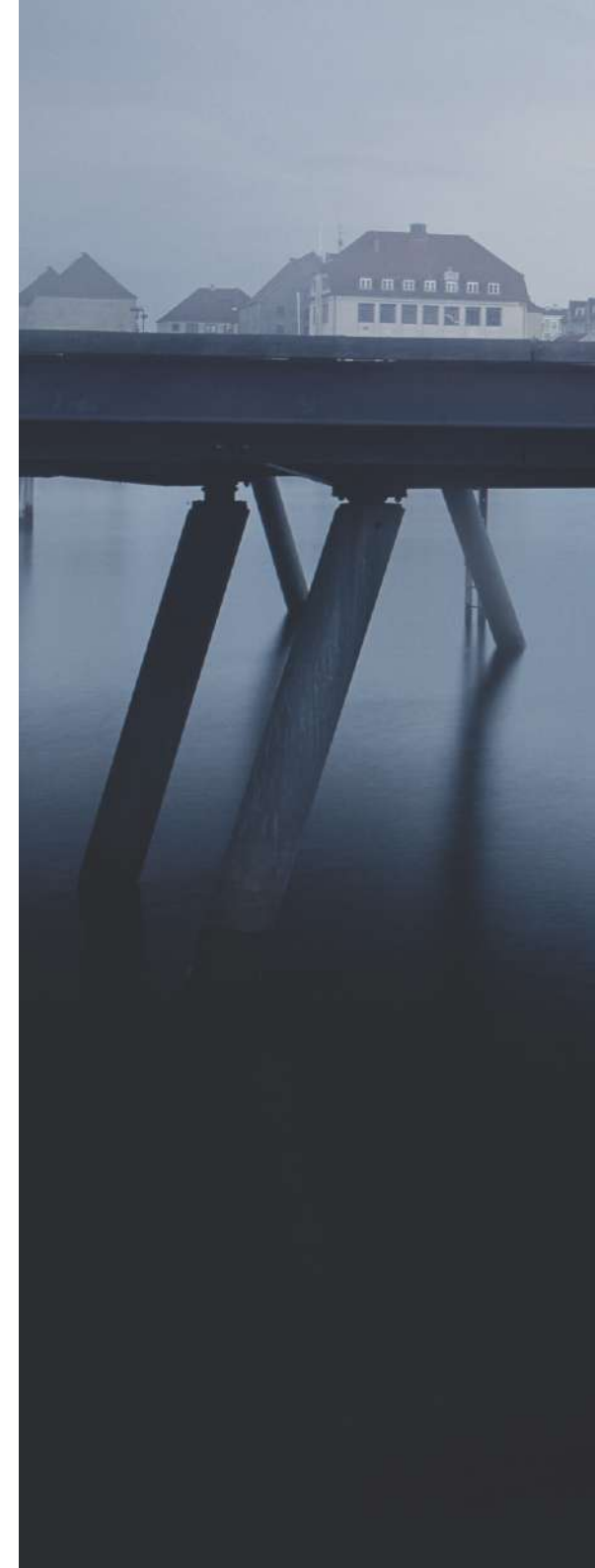
Linear Walnut decor inlay



Dark Flame Birchwood decor inlay



R-Design Carbon Fibre decor inlay





# YOUR OWN S90 IS WITHIN REACH

The Volvo S90 puts you at the heart of a luxury experience. An experience where intelligent, beautiful design works in harmony with cutting-edge innovation. A combination of exquisite natural materials with sophisticated, intuitive technology that continues the journey we started with the XC90.

Swedish luxury is about the beauty of simplicity, using natural and simple details to express the Scandinavian heritage enjoyed and celebrated at Volvo Cars since its creation in 1927. The exterior design defines the car's character, communicating solidity and confidence. The cabin creates a sanctuary, offering an uncluttered and spacious interior with Volvo's world famous sculpted seats.

By using intuitive technology, Volvo's in-car infotainment control system, Sensus, the majority of functions inside the vehicle are controlled via a 9" central touch screen, removing the need for physical buttons which allows for a cleaner and simpler user interface.

## S90 MOMENTUM

This is a luxury car by any measure, and one that promises more than rewarding comfort and class-leading style. This is a luxury car that's smarter and stronger in all the right places, for all the right reasons: you.

<b>Variants:</b>	<b>Diesel</b>	<b>Petrol</b>
	D4 Geartronic FWD	T5 Geartronic FWD
	D5 Geartronic AWD	T6 Geartronic AWD

## S90 INSCRIPTION

Inscription adds a more luxurious look and feel to the Volvo S90. Each unique detail was carefully chosen for the driver who wants a bit more elegance, like the interior's soft Nappa leather and a stand-out front grille.

<b>Variants:</b>	<b>Diesel</b>	<b>Petrol</b>
	D4 Geartronic FWD	T5 Geartronic FWD
	D5 Geartronic AWD	T6 Geartronic AWD

## S90 *R*DESIGN

This version was made for those who love to drive. With a unique, expressive personality distinguished by the sportier body, R-Design grille and sport contour seats.

<b>Variants:</b>	<b>Diesel</b>	<b>Petrol</b>
	D4 Geartronic FWD	T5 Geartronic FWD
	D5 Geartronic AWD	T6 Geartronic AWD





**THE RIGHT EQUIPMENT.** It is essential that your Volvo comes equipped with everything you need. Below you will find standard equipment for each model variant, plus optional equipment to personalise your Volvo S90. And as you would expect, there is an array of industry-leading, cutting edge safety innovations.

<b>STANDARD EQUIPMENT – SAFETY AND SECURITY</b>	<b>Momentum</b>	<b>Inscription</b>	<b>REDESIGN</b>
City Safety (includes pedestrian, cyclist and large animal detection and front collision warning with full auto brake)	•	•	•
Road edge detection	•	•	•
Run-off road protection	•	•	•
(ACC) Adaptive Cruise Control	•	•	•
Distance alert	•	•	•
(DAC) Driver Alert Control with (LKA) Lane Keeping Aid	•	•	•
(RSI) Road Sign Information display	•	•	•
(IDIS) Intelligent Driver Information System	•	•	•
Collision Mitigation Support, front	•	•	•
Emergency Brake Assist	•	•	•
Pilot assist II	•	•	•
Personal settings, power steering	•	•	•
Seatbelt reminders, all seats	•	•	•
Pyrotechnical pre-tensioners (all seats)	•	•	•
Drive mode settings	•	•	•
Dual stage driver and passenger airbags	•	•	•
Passenger airbag cut-off switch	•	•	•
(SIPS) Side Impact Protection System	•	•	•
SIPS airbags (front seats)	•	•	•
Inflatable curtains - full length	•	•	•
Whiplash protection system (front seats)	•	•	•
Vehicle deceleration control (includes anti-lock brake system, electronic brake force distribution and emergency brake assist)	•	•	•
Stability and traction control (includes spin control, engine drag control and corner traction control)	•	•	•
ISOFIX attachments (outer rear seats)	•	•	•
Hill start assist	•	•	•
Anti-theft alarm including immobiliser, volume sensor and level sensor	•	•	•
Integrated remote control central locking and auto open / close power windows and sunroof	•	•	•
Key remote control	•	•	•
Two step door unlocking	•	•	•
Private locking for luggage area	•	•	•
Power child locks (rear doors)	•	•	•
Central lock switch with diode in front doors	•	•	•
Visible VIN plate	•	•	•
Automatic headlight levelling system	•	•	•
Home safe and approach lighting	•	•	•
LED daytime running lights	•	•	•
Warning triangle	•	•	•
Laminated side windows	•	•	•

<b>STANDARD EQUIPMENT – EXTERIOR</b>	<b>Momentum</b>	<b>Inscription</b>	<b>RDESIGN</b>
Piano black front grille with chrome surround	•		
Inscription front grille		•	
Standard mesh front	•		
Chrome front inserts		•	
Bright decor around side windows	•	•	•
Fully colour adapted sills and bumpers with bright side decor branded - Inscription		•	
Inscription bright trim level element exterior rear		•	
Dual visible tail pipes with chrome sleeves	•		
Dual integrated tail pipes		•	•
Colour coordinated side mirror covers	•	•	
Colour coordinated door handles	•		•
Colour coordinated door handles with bright decor		•	
Retractable side mirrors	•	•	•
LED active bending headlights with active high beam	•	•	•
Headlight cleaning system	•	•	•
Fog lights in front spoiler	•	•	•
Adaptive brake lights including high level LED brake light and hazard warning	•	•	•
Rear park assist	•	•	•
Cargo opening scuff plate, plastic	•	•	•
18" 10-spoke turbine silver bright top cut wheels	•		
19" 10-spoke silver diamond cut wheels		•	
19" 5-spoke matt black diamond cut wheels			•
Dynamic chassis	•	•	
Tempa spare wheel and jack kit	•	•	•
<b>RDESIGN</b> High gloss black mesh front grille with silk metal surround			•
<b>RDESIGN</b> Silk metal decor around side windows			•
<b>RDESIGN</b> Glossy black stripe on rear bumper			•
<b>RDESIGN</b> Matt silver side mirror covers			•
<b>RDESIGN</b> Sport chassis			•

<b>STANDARD EQUIPMENT – INTERIOR</b>	<b>Momentum</b>	<b>Inscription</b>	<b>RDESIGN</b>
Leather upholstery	•		
Nappa soft leather upholstery		•	
Comfort seat padding	•	•	
Tailored dashboard and door panels front and rear		•	•
Iron ore decor inlay	•		
Metal Mesh decor inlay			•
Linear Walnut decor inlay		•	





**STANDARD EQUIPMENT – INTERIOR**

	Momentum	Inscription	REDESIGN
12,3 Inch digital instrument cluster	•	•	•
Power driver seat with memory for seat and side mirrors	•	•	•
Mechanical passenger seat with power height adjustment	•		
Power adjustable passenger seat with memory function		•	•
Power adjustable side support		•	
Power adjustable lumbar support	•	•	•
Power cushion extension, driver and passenger seat		•	•
Versatile split folding rear seat (60 / 40)	•	•	•
Ski hatch in rear seat backrest	•	•	•
Front and rear armrests with storage and cup holders	•	•	•
Standard headliner colour	•	•	
Interior illumination - mid level	•		
Interior illumination - high level		•	•
Illuminated vanity mirrors in sunvisor LH / RH side	•	•	•
3-Spoke leather steering wheel with decor inlay	•	•	
Leather gear lever knob with chrome decor inlay	•	•	
Standard pedals	•	•	
Cigarette lighter / ashtray front + ashtray in rear doors	•	•	•
Auto dimming interior mirror	•	•	•
Floor carpets	•		
Luxury floor carpets		•	
Sill moulding Volvo metal	•		
Sill moulding Volvo metal, illuminated		•	
Drive modes and power steering settings	•	•	•
Lockable glove box compartment with illumination	•	•	•
Rain sensor	•	•	•
Front and rear power windows - fully automatic	•	•	•
Sun blinds, rear side windows		•	•
Luggage compartment illumination	•	•	•
Net pocket on tunnel console	•	•	•
2-Zone electronic climate control	•	•	•
CleanZone interior (air quality system with pre-ventilation at unlocking)	•	•	•
12v socket in luggage area	•	•	•
High performance audio system (1 x USB) with Bluetooth® connection	•	•	•
Remote control buttons on steering wheel	•	•	•
Navigation - Pro	•	•	•

Continued overleaf

<b>STANDARD EQUIPMENT – INTERIOR Continued</b>	<b>Momentum</b>	<b>Inscription</b>	<b>RDESIGN</b>
<b>RDESIGN</b> Suede / Nubuck sport leather upholstery			•
<b>RDESIGN</b> Steering wheel with perforated leather, 3-spoke			•
<b>RDESIGN</b> Gearshift paddles			•
<b>RDESIGN</b> Perforated leather gear knob			•
<b>RDESIGN</b> Pedals			•
<b>RDESIGN</b> Carpet kit			•
<b>RDESIGN</b> Illuminated sill moulding			•
<b>RDESIGN</b> Key remote control, leather clad			•
<b>RDESIGN</b> Charcoal headliner			•
<b>RDESIGN</b> Sport seat padding			•

<b>* OPTIONAL EQUIPMENT – SAFETY AND SECURITY</b>	<b>Momentum</b>	<b>Inscription</b>	<b>RDESIGN</b>
Keyless Drive (includes keyless entry and keyless start)	o	o	o
Head Up Display - HUD (graphical)	o	o	o
(BLIS) Blind Spot Information System with (CTA) Cross Traffic Alert collision warning and mitigation support, rear	o	o	o
Park assist camera	o	o	o
Park assist pilot with park assist front and rear	o	o	o
Park assist front and rear	o	o	o
Visual park assist with front "Fisheye" view (360° camera) (ii)	o	o	o
Tinted windows, rear side doors and rear window	o	o	o

<b>* OPTIONAL EQUIPMENT – INTERIOR</b>	<b>Momentum</b>	<b>Inscription</b>	<b>RDESIGN</b>
Nappa soft leather comfort seats	o	•	n/a
Nappa soft leather sport contour seats	o	n/a	n/a
Nappa soft leather perforated and ventilated comfort seats	n/a	o	n/a
R-Design Nappa soft leather sport seats	n/a	n/a	o
3-Spoke leather steering wheel with wood decor (i)	o	o	n/a
Metal Mesh decor inlays	n/a	o	•
Dark Flame Birchwood decor inlays	o	o	n/a
R-Design carbon fibre decor inlays	n/a	n/a	o
Sun blinds, rear side door windows	o	•	•
Charcoal headliner	o	o	•
4-Zone electronic climate control with cooled glove box	o	o	o
Auto dimming inner and outer mirrors	o	o	o





**\* OPTIONAL EQUIPMENT – INTERIOR Continued**

	Momentum	Inscription	RDESIGN
Cushion extension driver and passenger seat	o	●	●
4-Way power adjustable lumbar support, front seats	o	●	●
Power adjustable side support, front seats	o	●	n/a
Memory function for passenger seat	o	●	●
Electrical sun curtain, rear window (iii)	o	o	o
Heated windscreen washer nozzles	o	o	o
Heated steering wheel (iv)	o	o	o
Heated windscreen	o	o	o
Heated front seats	o	o	o
Heated rear seats (iv)	o	o	o
Backrest massage, front seats (Inscription only)	n/a	o	n/a
Power folding rear backrest	o	o	o
Electric folding rear headrests	o	o	o
230V / 150W outlet in lower rear tunnel	o	o	o
Black carpet kit (for light interiors)	o	o	n/a
Interior illumination - high level	o	●	●
Sport steering wheel with perforated leather and chrome decor inlays	o	o	n/a
Power passenger seat	o	●	●
Compass in rearview mirror	o	o	o
Harman / Kardon branded audio system	o	o	o
Premium Sound by Bowers and Wilkins	o	o	o
CD player in centre console storage	o	o	o
Smartphone integration Apple CarPlay and Android Auto (2 x USB connections)	o	o	o
Power operated boot lid	o	o	o
Dual child booster cushions, rear seats	o	o	o

**\* OPTIONAL EQUIPMENT – EXTERIOR**

	Momentum	Inscription	RDESIGN
Power sunroof	o	o	o
18" 5-double-spoke silver wheels	o	n/a	n/a
19" 5-triple-spoke tech matt black diamond cut wheels	o	no cost	n/a
20" 8-spoke silver diamond cut wheels (Inscription only)	n/a	o	n/a
20" 5-double-spoke matt black diamond cut wheels (R-Design)	n/a	n/a	o
21" 5-double-spoke matt black diamond cut wheels (R-Design)	n/a	n/a	o
Air suspension, 2-corner (computer controlled suspension)	o	o	o
Metallic paint	o	o	o

● = standard; o = option; n/a = not available \* Fitted at factory

- (i) Only in combination with Birchwood decor inlays.
- (ii) Only in combination with BLIS.
- (iii) Only in combination with power operated boot lid.
- (iv) Only in combination with heated front seats.

	Momentum	Inscription	RDESIGN
<b>S90 TECHNO PACK</b>			
Heated front seats	o	o	
Power operated boot lid	o	o	
Head Up Display - HUD (graphical)	o	o	
Auto dimming inner and outer mirrors	o	o	
Blind Spot Information System (BLIS) with Cross Traffic Alert (CTA)	o	o	
Rear park assist camera	o	o	
Park assist pilot (including park assist front and rear)	o	o	
Keyless entry with remote tag	o	o	
<b>S90 PREMIUM PACK</b>			
Heated front seats	o	o	
Power operated boot lid	o	o	
Head Up Display - HUD (graphical)	o	o	
Visual park assist with front "Fisheye" view (360° camera)	o	o	
Auto dimming inner and outer mirrors	o	o	
Power folding rear backrest	o	o	
Premium audio by Bowers and Wilkins	o	o	
Blind Spot Information System (BLIS) with Cross Traffic Alert (CTA)	o	o	
Park assist pilot (including park assist front and rear)	o	o	
Keyless entry with remote tag and handsfree boot lid opening	o	o	
<b>S90 RDESIGN PACK</b>			
Heated front seats			o
Power operated boot lid			o
Head Up Display - HUD (graphical)			o
Visual park assist with front "Fisheye" view (360° camera)			o
Auto dimming inner and outer mirrors			o
Power folding rear backrest			o
Premium audio by Bowers and Wilkins			o
Blind Spot Information System (BLIS) with Cross Traffic Alert (CTA)			o
Park assist pilot (including park assist front and rear)			o
Keyless entry with remote tag and handsfree boot lid opening			o

o = option; n/a = not available





**IN FINE DETAIL.** The nuts and bolts of your Volvo S90. Whatever you need to know about your new car – be it fuel consumption, CO<sub>2</sub> emissions, top speed or boot space – you will find it here.

ENGINE		D4 Geartronic FWD	D5 Geartronic AWD	T5 Geartronic FWD	T6 Geartronic AWD
Configuration		Transverse – 16 valve	Transverse – 16 valve	Transverse – 16 valve	Transverse – 16 valve
Cylinders		4	4	4	4
Engine capacity, cc		1969	1969	1969	1969
Bore x stroke, mm		82 x 93.2	82 x 93.2	82 x 93.2	82 x 93.2
Max. output ECE,	kW rpm	140 4250	173 4000	187 5500	235 5700
Max. torque ECE,	Nm rpm	400 1750-2500	480 1750-2250	350 1500-4800	400 2200-5400
Octane rating		50ppm Diesel	50ppm Diesel	95 RON unleaded	95 RON unleaded
Fuel system		Twin Turbochargers	Twin Turbochargers	HP Turbocharger	Super & Turbocharged
Compression ratio		15,8:1	15,8:1	10,8:1	10,3:1

PERFORMANCE		D4 Geartronic FWD	D5 Geartronic AWD	T5 Geartronic FWD	T6 Geartronic AWD
Top speed, km/h		230	240	230	250
Acceleration 0-100 km/h, sec		8.2	7.0	6.8	5.9

FUEL CONSUMPTION*		D4 Geartronic FWD	D5 Geartronic AWD	T5 Geartronic FWD	T6 Geartronic AWD
Combined, l/100 km*		4.4	4.8	6.5	7.2
CO <sub>2</sub> , g/km*		116	127	149	165
Fuel tank capacity, litres		55	60	55	60

**The results do not express or imply any guarantee of the fuel consumption of a particular car as there are inevitable differences between individual cars of the same model. Additionally, driving style, traffic conditions, as well as the age and mileage and standard of maintenance will affect a car's fuel consumption.**

- \* All fuel consumption figures and CO<sub>2</sub> emissions are based on the New European Driving Cycle (NEDC) test procedure. This test procedure is designed to assess the emission levels of car engines and fuel economy in passenger cars.
- \* The results do not express or imply any guarantee of the fuel consumption of a particular car as there are inevitable differences between individual cars of the same model. Additionally, driving style, traffic conditions, as well as the age and mileage and standard of maintenance will affect a car's fuel consumption.
- \* The weight of the vehicle will influence the level of CO<sub>2</sub> emitted. As a result, vehicles with higher levels of specification and factory fit options may emit higher levels of CO<sub>2</sub>.



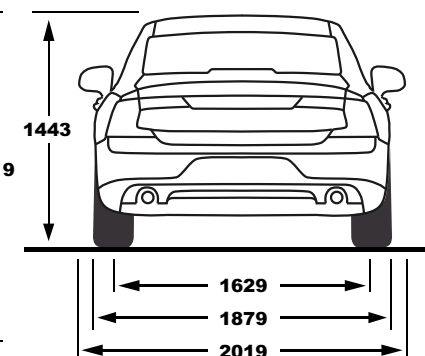
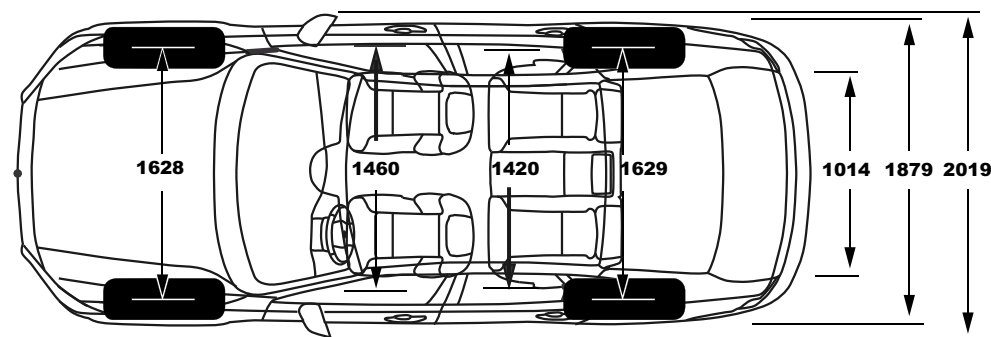
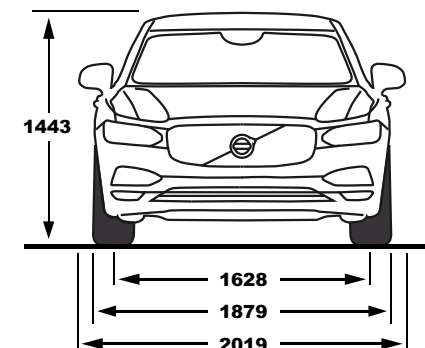
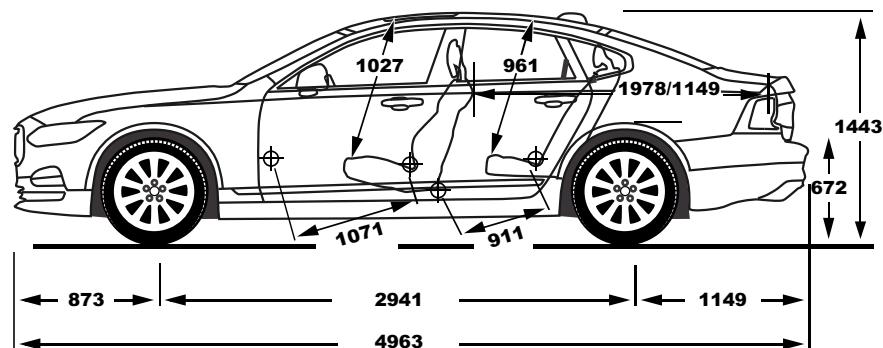
TURNING CIRCLE	ALL MODELS
18" wheels	11.4 m
19" wheels	11.8 m

LUGGAGE COMPARTMENT	ALL MODELS
Volume, litres	500
Under floor volume, litres	37

TRANSMISSION	ALL MODELS
Geartronic AWD & FWD	8 speed

BRAKES	ALL MODELS
Front disc diameter, mm	345
Rear disc diameter, mm	320

GROUND CLEARANCE	ALL MODELS
Vehicle ground clearance, mm	152



WEIGHT	D4 Geartronic FWD	D5 Geartronic AWD	T5 Geartronic FWD	T6 Geartronic AWD
Min. kerb weight, kg (actual kerb weight dependent on spec.)	1680	1763	1674	1764
Max. possible towing weight braked, kg	1800	2200	1800	2200
Max. towing weight unbraked, kg**	750	750	750	750
Max. towball weight, kg	110	110	110	110
Max. total weight, kg	2270	2360	2260	2360
Max. roof load, kg	100	100	100	100
Max. payload, kg (dependent on spec.)	553	562	548	561

All measurements in mm.

\*\* Unbraked towing weight must not exceed 50% of kerb weight up to a maximum of approximately 750 kg.

**NB** Some of the information in this brochure may not be correct due to product changes which may have occurred since it was printed. Some of the equipment described or shown may now be available only at extra cost. Before ordering, please ask your Volvo dealer for the latest information. The manufacturer reserves the right to make changes at any time, without notice, to colour, materials, specifications and models.

Volvo Car South Africa.





Volvo Car  
Financial Services

A product of WesBank



Volvo Car  
Financial Services

A product of WesBank

## Volvo Car Roadside Assistance

In order to provide you with the best personal motoring services in the country we have partnered with one of the leading service providers in the industry, Tracker. Basic product offering (1 - 8) comes standard with your new Volvo for a period of 5 years / unlimited mileage.

### Product Offering Standard Features:

1. Connected Roadside Assistance
2. Facilitated Medical Emergency Assistance
3. Assist button
4. Mileage monitoring
5. Free internet web positions
6. Electronic log book
7. Impact detection
8. Volvo Care Smartphone Application

### With the option to subscribe to:

Proactive vehicle recovery – optional @ R199 / month\*.

Should your personal details change, please contact Tracker, to update your information via **0800 MY VOLVO (0800 698 6586)**.

Ts&Cs: Tracker needs to complete their contracting process with you to activate the services. In order to provide any of the above services it is necessary for Volvo Car South Africa, Tracker and / or any of its third party business partners, to intercept and monitor data generated by the Tracker unit installed in the vehicle. The assist and recovery option is only available in South Africa.

\* Reviewed and adjusted annually.

## Volvo Car Financial Services

Volvo Car Financial Services has flexible financing options that enable you to structure your deal according to your specific requirements.

We want your experience of buying and owning a Volvo to be enjoyable and hassle-free. That is why we have developed the following online service tools:

- Online finance application – apply for finance any time of day or night and get an instant answer.
- Calculators – calculate your monthly repayments or calculate the value of a vehicle that you could buy based on a specified monthly repayment.
- Account services – manage your account in a secure and user-friendly online environment in real time.

So, remember to insist on Volvo Car Financial Services at your dealer or simply visit [www.volvocars.com/za](http://www.volvocars.com/za) for more information.

## Volvo Versatility Finance

### For a tailor-made deal and guaranteed future value.

With best-in-class guaranteed future value across the entire Volvo range, it is a forward-thinking way to finance and future-proof your dream Volvo. When you reach the end of your finance period, you can renew, return or retain your Volvo. It is all up to you.

### Flexibility today. Certainty tomorrow.

\* Terms and conditions apply. As at time of print.



Volvo Car  
Insurance

## Volvo Car Insurance

### Peace of mind. Our idea of luxury.

A Volvo-personalised insurance scheme. Highly competitive comprehensive insurance premiums available on all Volvo models.

### Ask your Volvo dealer for more information.

Underwritten by Guardrisk Insurance Company (PTY) LTD, FSP NO:75. Administered by Insurance Underwriting Managers (PTY) LTD, FSP NO:21820.

\* Terms and conditions apply.

**V O L V O**

**All models standard with a 5 year / 100 000km Volvo Plan.**

**NB** Some of the information in this brochure may not be correct due to product changes which may have occurred since it was printed. Before ordering, please ask your Volvo dealer for the latest information. The manufacturer reserves the right to make changes at any time, without notice, to colour, materials, specifications and models. Issued January 2019.

[VOLVOCARS.COM/ZA](http://VOLVOCARS.COM/ZA)