



VOLVO V40



V40 KINETIC

Kinetic variants come standard with all the features you would expect from a Volvo. Beyond the innovative City Safety technology, dual zone electronic climate control and laminated side windows with electric operation, the Kinetic variants also offer 16" Matres silver stone alloy wheels, daytime running lights, heated and electrically adjustable side mirrors and a Performance Sound system with a 5" colour display screen.

Variants:	Diesel	Petrol
	D2 Manual	T3 Manual

V40 MOMENTUM

Momentum variants share the same grille as Kinetic variants with vertical glossy black bars. At the front, standard LED daytime running lights in the lower bumper add a nice finishing touch. Linked to the black theme, this trim level now also gets a black rubber greenhouse frame. New expressive 16" Markeb glossy black diamond cut wheels (D2, T3 and T4 variants) and 18" Narvi diamond cut wheels (D3, D4 and T5 variants) enhance the modern look of this car.

Variants:	Diesel	Petrol
	D2 Manual	T3 Manual or Geartronic
	D3 Geartronic	T4 Manual or Geartronic
	D4 Geartronic	T5 Geartronic

V40 INSCRIPTION

Inscription variants offer a more premium look, featuring a grille with vertical glossy black bars and exclusive-looking chrome strips with a radar cover (also on cars without IntelliSafe). In the front, LED illumination with the iconic Thor's Hammer design seen on Volvo's new 90-cars, give the new V40 an even wider look in the front and highlight the family bonds with its bigger siblings.

Variants:	Diesel	Petrol
	D2 Manual	T3 Manual or Geartronic
	D3 Geartronic	T4 Manual or Geartronic
	D4 Geartronic	T5 Geartronic

V40 *R-DESIGN*

The striking exterior lines of the new V40 R-DESIGN are enhanced with 18" Ixion IV black diamond cut alloy wheels, a revised grille with modified bumpers, an aggressive rear diffuser with twin tail pipes and a rear spoiler optimised for high performance. All this together with the R-DESIGN sports chassis enhance the handling of this model. Its visual presence is complemented with matt silver door mirrors, R-DESIGN sports leather upholstery with side support, unique interior trim and an R-DESIGN sports leather steering wheel.

Variants:	Diesel	Petrol
	D2 Manual	T3 Manual or Geartronic
	D3 Geartronic	T4 Manual or Geartronic
	D4 Geartronic	T5 Geartronic





THE RIGHT EQUIPMENT. It is essential that your Volvo comes equipped with everything you need. Below you will find standard equipment for each model variant, plus optional equipment to personalise your Volvo V40. And as you would expect, there is an array of industry-leading, cutting edge safety innovations.

STANDARD EQUIPMENT - SAFETY AND SECURITY	Kinetic	Momentum	Inscription	REDESIGN
City Safety	•	•	•	•
Stop / Start technology	•	•	•	•
Alarm	•	•	•	•
Immobiliser	•	•	•	•
IMS (Interior Movement Sensor)	•	•	•	•
Inclination sensor	•	•	•	•
Key integrated remote control, central locking	•	•	•	•
Home safe approach lighting	•	•	•	•
Manual child locks, rear side doors	•	•	•	•
Lockable glove box	•	•	•	•
Electrical lock status indication in driver door	•	•	•	•
Laminated side windows with UV protection	•	•	•	•
Two step airbags, driver / passenger side	•	•	•	•
Passenger airbag	•	•	•	•
SIPS airbags	•	•	•	•
Inflatable curtains	•	•	•	•
Whiplash protection, front seats	•	•	•	•
Knee airbag, driver side	•	•	•	•
5 x three-point seat belts	•	•	•	•
Rear seatbelt detection, left, right and middle seats	•	•	•	•
Adaptable pyrotechnical pre-tensioners, all 4 outer seats	•	•	•	•
Passenger airbag cut-off switch	•	•	•	•
ISOFIX - outer positions, rear seats	•	•	•	•
EBA (Emergency Brake Assist)	•	•	•	•
Emergency brake lights, flashing	•	•	•	•
High positioned rear brake light	•	•	•	•
IDIS (Intelligent Driver Information System)	•	•	•	•
ESC (Electronic Stability Control)	•	•	•	•
ASC (Advanced Stability Control)	•	•	•	•
ABS (Anti-lock Brake System)	•	•	•	•

STANDARD EQUIPMENT - EXTERIOR	Kinetic	Momentum	Inscription	REDESIGN
16" Matres silver stone wheels on T3 and D2	•	n/a	n/a	n/a
16" Markeb glossy black diamond cut wheels (T3, D2 and T4)	n/a	•	•	n/a
18" Narvi diamond cut wheels (D3, D4 and T5)	n/a	•	•	n/a
Plastic protection wheel caps	•	•	•	•
Laminated front windscreen	•	•	•	•
Electrically heated rear window	•	•	•	•

STANDARD EQUIPMENT – EXTERIOR Continued	Kinetic	Momentum	Inscription	RDESIGN
Standard decor side windows	●	●	n/a	n/a
Bright chrome decor mouldings around side windows	n/a	n/a	●	n/a
Capless fuel filling	●	●	●	●
Heated and electrically adjustable outer mirrors	●	●	●	●
Retractable outer rearview mirrors	○	●	●	●
Puddle lights in outer rearview mirrors	○	●	●	●
Colour coded mirror covers	●	●	●	n/a
Halogen lights with level adjuster	●	●	n/a	●
LED Headlights – mid-level	○	○	●	○
Thor Hammer LED DRL lights	○	○	●	○
Lower bumper chrome strip	n/a	n/a	●	n/a
Grille, standard	●	●	n/a	n/a
Grille, Inscription	n/a	n/a	●	n/a
Roof spoiler, fuel economy optimised (only on D2)	●	●	●	●
Roof spoiler, high performance optimised (n/a on D2)	●	●	●	●
Rear fog light, auto-off	●	●	●	●
Lower grille, standard grained finish	●	●	n/a	●
Lower grille, painted high gloss black	n/a	n/a	●	n/a
Front door tread plates	n/a	●	n/a	n/a
Tread plates, Inscription	n/a	n/a	●	n/a
Single exhaust pipe, hidden (only D2)	●	●	●	n/a
Double exhaust pipes, visible	●	●	●	n/a
Park assist, rear	○	●	●	●
Dynamic Chassis (n/a on D2)	●	●	●	n/a
Comfort Chassis (only on D2)	●	●	●	n/a
Indirect TPMS (Tyre Pressure Monitoring System)	●	●	●	●
Temperature gauge, outer	●	●	●	●
RDESIGN Silk metal décor mouldings around side windows				●
RDESIGN Daytime running lights				●
RDESIGN Silver mirror covers				●
RDESIGN Grille				●
RDESIGN Tread plates				●
RDESIGN Double exhaust pipes				●
RDESIGN 18" Ixion IV matt black diamond cut wheels				●

STANDARD EQUIPMENT – INTERIOR	Kinetic	Momentum	Inscription	RDESIGN
ECC (Electronic Climate Control) dual zone	●	●	●	●
Pollen filter	●	●	●	●
Automatic windows, all doors	●	●	●	●
Analog instrument cluster	●	●	n/a	n/a
Digital combined instrument cluster with TFT crystal display	○	○	●	●
Textile / Tricotex combination seats	●	n/a	n/a	n/a





STANDARD EQUIPMENT – INTERIOR Continued

	Kinetic	Momentum	Inscription	RDESIGN
Standard comfort leather seats	o	●	●	n/a
Manually adjusted driver seat with adjustable lumbar support	●	n/a	n/a	n/a
Power driver seat + memory for seat and exterior mirrors	o	●	●	●
Power passenger seat	o	o	●	o
Non-height adjustable passenger seat without lumbar support, 4-way	●	n/a	n/a	n/a
Height adjustable passenger seat with lumbar support, 6-way	o	●	n/a	●
Quick foldable backrest, passenger seat	●	●	●	●
Charcoal décor inlay with chrome frame	●	n/a	n/a	n/a
Black grid aluminium inlay	o	●	o	n/a
Milled aluminium inlay	o	o	●	n/a
Deco insert, doors / dashboard, charcoal	●	n/a	n/a	n/a
Deco insert, doors / dashboard, bright	o	●	●	●
Leather steering wheel, 3-spoke	●	●	n/a	n/a
Leather steering wheel with decor inlay, 3-spoke	o	o	●	n/a
Gear lever knob, leather	●	●	●	n/a
Leather handbrake	●	●	●	n/a
Gear lever illumination	o	o	●	●
Gearshift paddles	n/a	o	o	●
Front reading and footwell lights	●	●	n/a	●
Interior lights package - high version	o	o	●	o
Chrome rings on audio and climate control knobs	●	●	●	●
Automatic dimming inner rearview mirror	●	●	●	●
Two illuminated sun visors	●	●	●	●
Cigarette lighter and ashtray	●	●	●	●
Cup holders in rear seat	●	●	●	●
Carpet kit	●	●	●	n/a
Front cup holders in tunnel console	●	●	●	●
Storage in front doors	●	●	●	●
Storage behind centre console	●	●	●	●
Sliding armrest, tunnel console	●	●	●	●
Load cover / parcel shelf	●	●	●	●
Foldable high positioned load floor	●	●	●	●
12V power outlet, cargo area	●	●	●	●
Warning triangle	●	●	●	●
Tempa spare wheel - T115/90R16	●	●	●	●
Jack kit	●	●	●	●
Trip computer	●	●	●	●
Cruise control	o	●	●	●
Hill start assist	●	●	●	●
Height / reach adjustable steering wheel	●	●	●	●
Electric power steering	●	●	●	●
Rain sensor	o	●	●	●
Performance Sound / AUX / 6 x loud speakers	●	●	n/a	n/a
5 inch colour display screen	●	●	n/a	n/a
High Performance Sound Multimedia and Connectivity, USB, Bluetooth® and 8 x loud speakers, 7 inch colour display screen	o	o	●	●

Continued overleaf

STANDARD EQUIPMENT – INTERIOR Continued	Kinetic	Momentum	Inscription	RDESIGN
Connected service booking	o	o	•	•
Single CD player with MP3 decoder	•	•	n/a	n/a
Single DVD, 7" screen, internet connectivity	o	o	•	•
Auxiliary audio input (AUX connector)	•	•	n/a	n/a
USB and IPOD function	o	o	•	•
Audio buttons in steering wheel	•	•	•	•
RDESIGN Perforated full leather seats				•
RDESIGN Décor inlay				•
RDESIGN Sport steering wheel, 3-spoke				•
RDESIGN Gear lever knob				•
RDESIGN Leather handbrake				•
RDESIGN Sport pedals				•
RDESIGN Carpet kit				•

* OPTIONAL EQUIPMENT – SAFETY AND SECURITY	Price incl. 14% VAT	Kinetic	Momentum	Inscription	RDESIGN
PCC (Personal Car Communicator) with Keyless Drive	R5,650.00	o	o	o	o
Power child locks - rear side doors	R750.00	o	o	o	o
Pedestrian airbag	R7,500.00	o	o	o	o
Driver alert system, lane keeping aid and active high beam (i)	R9,750.00	o	o	o	o
Collision warning with full auto brake, pedestrian and cyclist detection with Adaptive Cruise Control, with ACC to CC toggling (i) (v)	R19,000.00	o	o	o	o
BLIS (Blind Spot Information System) with CTA (Cross Traffic Alert)	R8,250.00	o	o	o	o
Rear parking camera	R9,300.00	o	o	o	o
Park assist rear	R2,350.00	o	•	•	•
Park assist front and rear	R2,850.00	o	o	o	o
Park assist pilot with park assist, front and rear	R7,000.00	o	o	o	o

* OPTIONAL EQUIPMENT – INTERIOR	Price incl. 14% VAT	Kinetic	Momentum	Inscription	RDESIGN
AQS (Air Quality System)	R1,275.00	o	o	o	o
CZIP (CleanZone Interior Package) (included in AQS)	no cost	o	o	o	o
Digital combined instrument cluster with TFT crystal display	R4,350.00	o	o	•	•
Power driver seat with memory function	R4,500.00	o	•	•	•
Height adjustable passenger seat with lumbar support (6-way)	R750.00	o	•	n/a	•
Power passenger seat (iv)	R4,500.00	o	o	•	o
Heated front seats	R1,850.00	o	o	o	o
Heated rear seat (ii)	R1,850.00	o	o	o	o
Black grid aluminium inlay	R1,750.00	o	•	o	n/a
Milled aluminium inlay	R1,750.00	o	o	•	n/a
Cruise control	R2,750.00	o	•	•	•
Gearshift paddles (automatic only)	R1,850.00	n/a	o	o	o
Textile / T-Tec City Weave upholstery	no cost	o	o	o	n/a
RDESIGN Nubuck textile / perforated leather upholstery	no cost	n/a	n/a	n/a	o





* OPTIONAL EQUIPMENT - INTERIOR Continued	Price incl. 14% VAT	Kinetic	Momentum	Inscription	REDESIGN
Standard leather seats (Kinetic)	R12,000.00	o	●	●	n/a
Leather steering wheel with décor inlays, 3-spoke	R850.00	o	o	●	n/a
Interior lights package - high version	R850.00	o	o	●	o
Illuminated gear knob	R750.00	o	o	●	●
Compass in inner rearview mirror	R1,275.00	o	o	o	o
Sunglasses holder	R315.00	o	o	o	o
Load protection net, soft - one piece	R900.00	o	o	o	o
First-aid kit	R315.00	o	o	o	o
Steering forces - 3 settings (Normal, City, Sport)	R2,750.00	o	o	o	o
High Performance Sound Multimedia and Connectivity, USB, Bluetooth® and 8 x loud speakers	R10,600.00	o	o	●	●
Premium Sound Multimedia and Connectivity, USB, Bluetooth® and 10 x loud speakers (Harman Kardon)	R15,600.00	o	o	o	o
Navigation system with RTTI and TMC	R10,500.00	o	o	o	o
Remote control (navigation and multimedia) (iii)	R1,200.00	o	o	o	o

* OPTIONAL EQUIPMENT - EXTERIOR	Price incl. 14% VAT	Kinetic	Momentum	Inscription	REDESIGN
Metallic paint	R2,500.00	o	o	o	o
LED Headlights – mid level	R7,500.00	o	o	●	o
LED Headlights with automatic bending – high level	R8,500.00	o	o	o	o
LED Daytime running lights (Kinetic and Momentum variants)	R1,650.00	o	o	n/a	●
Heated windscreen (i)	R3,650.00	o	o	o	o
Rain sensor	R900.00	o	●	●	●
Tinted windows, rear side doors and cargo area	R3,250.00	o	o	o	o
Fixed panoramic sunroof with electric sliding curtain	R8,500.00	o	o	o	o
Water repellent front side windows	R800.00	o	o	o	o
Sport chassis, lowered	R5,100.00	o	o	o	●
17" Segomo grey wheels (7,5x17) (no cost on D3, D4, T5)	R7,500.00	o	o	o	n/a
17" Spider grey diamond cut wheels (7x17) (no cost on D3, D4, T5)	R7,500.00	o	o	o	n/a
17" Sarpas silver diamond cut wheels (no cost on D3, D4, T5)	R7,500.00	n/a	n/a	o	n/a
18" Tamesis wheels (7,5x18) (no cost on D3, D4, T5)	R7,500.00	o	o	o	n/a
18" Midir black diamond cut wheels (7,5x18) (no cost on D3, D4, T5)	R7,500.00	o	o	o	n/a
18" Ymir black diamond cut wheels (7,5x18) (no cost on D3, D4, T5)	R7,500.00	o	o	o	n/a
18" Narvi diamond cut wheels (7,5x18) (standard on D3, D4, T5)	R7,500.00	o	o	o	n/a
18" Atreus black stone / glossy white accessory wheels (D3, D4, T5)	R12,000.00	n/a	o	o	n/a
Lockable wheel nuts	R800.00	o	o	o	o

● = standard; o = option; n/a = not available

* Fitted at factory.

(i) Must be ordered in combination with rain sensor.

(ii) Must be ordered in conjunction with heated front seats.

(iii) Must be ordered in conjunction with High Performance Multimedia Audio or Premium Sound Multimedia Audio Systems (7" colour display screen).

(iv) Must be ordered in conjunction with power driver's seat.

(v) Must be ordered in combination with driver alert system.

Prices are inclusive of 14% VAT	Kinetic	Momentum	Inscription	RDESIGN
BASE PACK - T3, D2 Graphic combined instrument cluster with 8" TFT crystal display Cruise control 6-way adjustable passenger seat Rain sensor Park assist front and rear (swop for park pilot) High Performance Sound Multimedia and Connectivity, USB, Bluetooth® and 8 x loud speakers	R 18,750.00 o o o o o o	n/a	n/a	n/a
SPORT PACK - T3, D2 Graphic combined instrument cluster with 8" TFT crystal display Cruise control LED headlights - mid level Park assist front and rear (swop for park pilot) 18" Wheels - Narvi (swop for Tamesis, Spider, Midir, Segomo, standard wheel) 3-spoke leather steering wheel with décor inlay Steering forces - 3 settings (Normal, City, Sport) Interior lighting - high version Gear lever knob, illuminated High Performance Sound Multimedia and Connectivity, USB, Bluetooth® and 8 x loud speakers	R 31,500.00 o o o o o o o o o o o	n/a	n/a	n/a
SPORT PACK - T3, D2, T4 Graphic combined instrument cluster with 8" TFT crystal display Headlamp cleaners Active LED headlights - high level Park assist front and rear (swop for park pilot) 18" Wheels - Narvi (swop for Tamesis, Spider, Midir, Segomo, standard wheel) 3-spoke leather steering wheel with décor inlay Steering forces - 3 settings (Normal, City, Sport) Interior lighting - high version Gear lever knob, illuminated High Performance Sound Multimedia and Connectivity, USB, Bluetooth® and 8 x loud speakers	n/a o o o o o o o o o	R 29,500.00 o o o o o o o o o	n/a	n/a
SPORT PACK - T3, D2, T4 Headlamp cleaners PCC with Keyless Drive Active LED headlights - high level Park assist front and rear (swop for park pilot) 18" Wheels - Narvi (Swop for Tamesis, Spider, Midir, Segomo, standard wheel) Steering forces - 3 settings (Normal, City, Sport)	n/a o o o o o o	n/a	R 15,500.00 o o o o o	n/a
SPORT PACK - D3, D4, T5 Graphic combined instrument cluster with 8" TFT crystal display Headlamp cleaners PCC with Keyless Drive Active LED headlights - high level Park assist front and rear (swop for park pilot) 3-Spoke leather steering wheel with décor inlay Steering forces - 3 settings (Normal, City, Sport) Interior lighting - high version Gear lever knob, illuminated High Performance Sound Multimedia and Connectivity, USB, Bluetooth® and 8 x loud speakers	n/a o o o o o o o o o	R 27,500.00 o o o o o o o o o	n/a	n/a

Prices are inclusive of 14% VAT	Kinetic	Momentum	Inscription	RDESIGN
SPORT PACK - D3, D4, T5 Headlamp cleaners Lockable wheel nuts PCC with Keyless Drive Active LED headlights - high level Park assist front and rear (swop for park pilot) Steering forces - 3 settings (Normal, City, Sport)	n/a o o o o o o	n/a	R 10,500.00 o o o o o	n/a
TECHNO PACK - T3, D2 Heated front seats Digital combined instrument cluster with 8" TFT crystal display Cruise control LED headlights - mid level Navigation system with RTTI and TMC Park assist front and rear (swop for park pilot) PCC with Keyless Drive Leather steering wheel with décor inlay, 3-spoke 18" Wheels - Narvi (swop for Tamesis, Spider, Midir, Segomo, standard wheel) Steering forces - 3 settings (Normal, City, Sport) High Performance Sound Multimedia and Connectivity, USB, Bluetooth® and 8 x loud speakers	R 41,500.00 o o o o o o o o o o	n/a	n/a	n/a
TECHNO PACK - T3, D2, T4 Heated front seats Digital combined instrument cluster with 8" TFT crystal display Headlamp cleaners Navigation system with RTTI and TMC Park assist front and rear (swop for park pilot) PCC with Keyless Drive Active LED headlights - high level Leather steering wheel with décor inlay, 3-spoke 18" Wheels - Narvi (swop for Tamesis, Spider, Midir, Segomo, standard wheel) Steering forces - 3 settings (Normal, City, Sport) High Performance Sound Multimedia and Connectivity, USB, Bluetooth® and 8 x loud speakers	n/a o o o o o o o o o o	R 39,000.00 o o o o o o o o o	n/a	n/a
TECHNO PACK - T3, D2, T4 Heated front seats Headlamp cleaners Navigation system with RTTI and TMC Steering forces - 3 settings (Normal, City, Sport) PCC with Keyless Drive Active LED headlights - high level Park assist front and rear (swop for park pilot) 18" Wheels - Narvi (swop for Tamesis, Spider, Midir, Segomo, standard wheel)	n/a o o o o o o o o	n/a	R 24,500.00 o o o o o o o	n/a
TECHNO PACK - D3, D4, T5 Heated front seats Digital combined instrument cluster with 8" TFT crystal display Headlamp cleaners Navigation system with RTTI and TMC Steering forces - 3 settings (Normal, City, Sport) Park assist front and rear (swop for park pilot) PCC with Keyless Drive Active LED headlights - high level Leather steering wheel with décor inlay, 3-spoke High Performance Sound Multimedia and Connectivity, USB, Bluetooth® and 8 x loud speakers	n/a o o o o o o o o o o	R 35,000.00 o o o o o o o o o	R 19,500.00 o o o o o o o o	n/a

Prices are inclusive of 14% VAT	Kinetic	Momentum	Inscription	R-DESIGN
PREMIUM PACK - T3, D2	R 45,500.00	n/a	n/a	n/a
Heated front seats	o			
Digital combined instrument cluster with 8" TFT crystal display	o			
Cruise control	o			
LED headlights - mid level	o			
Navigation system with RTTI and TMC	o			
Park assist front and rear (swop for park pilot)	o			
PCC with Keyless Drive	o			
Leather steering wheel with décor inlay, 3-spoke	o			
18" Wheels - Narvi (swop for Tamesis, Spider, Midir, Segomo, standard wheel)	o			
Steering forces - 3 settings (Normal, City, Sport)	o			
Premium Sound Multimedia and Connectivity, USB, Bluetooth® and 8 x loud speakers	o			
PREMIUM PACK - T3, D2, T4	n/a	R 43,000.00	n/a	n/a
Heated front seats		o		
Digital combined instrument cluster with 8" TFT crystal display		o		
Headlamp cleaners		o		
Navigation system with RTTI and TMC		o		
Park assist front and rear (swop for park pilot)		o		
PCC with Keyless Drive		o		
Active LED headlights - high level		o		
Leather steering wheel with décor inlay, 3-spoke		o		
18" Wheels - Narvi (swop for Tamesis, Spider, Midir, Segomo, standard wheel)		o		
Steering forces - 3 settings (Normal, City, Sport)		o		
Premium Sound Multimedia and Connectivity, USB, Bluetooth® and 8 x loud speakers		o		
PREMIUM PACK - T3, D2, T4	n/a	n/a	R 28,500.00	n/a
Heated front seats			o	
Headlamp cleaners			o	
Navigation system with RTTI and TMC			o	
Steering forces - 3 settings (Normal, City, Sport)			o	
PCC with Keyless Drive			o	
Active LED headlights - high level			o	
Park assist front and rear (swop for park pilot)			o	
18" Wheels - Narvi (swop for Tamesis, Spider, Midir, Segomo, standard wheel)			o	
Premium Sound Multimedia and Connectivity, USB, Bluetooth® and 8 x loud speakers			o	
PREMIUM PACK - D3, D4, T5	n/a	R 39,000.00	R 23,500.00	n/a
Heated front seats		o	o	
Digital combined instrument cluster with 8" TFT crystal display		o	●	
Headlamp cleaners		o	o	
Navigation system with RTTI and TMC		o	o	
Steering forces - 3 settings (Normal, City, Sport)		o	o	
Park assist front and rear (swop for park pilot)		o	o	
PCC with Keyless Drive		o	o	
Active LED headlights - high level		o	o	
Leather steering wheel with décor inlay, 3-spoke		o	●	
Premium Sound Multimedia and Connectivity, USB, Bluetooth® and 8 x loud speakers		o	●	

Prices are inclusive of 14% VAT	Kinetic	Momentum	Inscription	R-DESIGN
R-DESIGN PLUS PACK	n/a	n/a	n/a	R 21,500.00
Power passenger seat				o
Heated front seats				o
Headlamp washers				o
Lockable wheel nuts				o
PCC with Keyless Drive				o
Active LED headlights - high level				o
Park assist pilot + park assist, front and rear				o
Steering forces - 3 settings (Normal, City, Sport)				o
Interior lights package - high version				o
R-DESIGN PREMIUM PLUS PACK	n/a	n/a	n/a	R 33,500.00
Power passenger seat				o
Heated front seats				o
Headlamp washers				o
Lockable wheel nuts				o
Navigation system with RTTI and TMC				o
PCC with Keyless Drive				o
Active LED headlights - high level				o
Park assist pilot + park assist, front and rear				o
Steering forces - 3 settings (Normal, City, Sport)				o
Interior lights package - high version				o
Premium Sound Multimedia and Connectivity, USB, Bluetooth® and 8 x loud speakers				o
DRIVER SUPPORT PACK	R 32,500.00	R 32,500.00	R 32,500.00	R 32,500.00
BLIS (Blind Spot Information System)	o	o	o	o
LKA (Lane Keeping Aid) with driver alert system and AHB (Active High Beam)	o	o	o	o
Rear parking camera	o	o	o	o
ACC with collision warning and pedestrian detection system	o	o	o	o

● = standard; o = option; n/a = not available



“Sensus is our way of enabling you to communicate instinctively with your car, and keep you connected with your digital world.”

YOU'RE IN CONTROL, NATURALLY.

SENSUS

We have designed a gorgeous space around the driver. All of our instruments and controls are intuitive and easy to use. We call this approach of connecting you and your car with the world around you, “Sensus”.

You can also choose between three unique instrument cluster modes to customize your driving experience even further.

The Sensus screen is a multimedia hub, giving you immediate connectivity to information and entertainment at your fingertips.



City Safety functions at speeds up to 50 km/h. This system can help prevent a collision if the difference in speed between your vehicle and the vehicle ahead is less than 15 km/h.

We've further improved our optional Blind Spot Information System (BLIS). It now uses radar technology to alert you to vehicles closing up in your blind spot. There's also Cross Traffic Alert, which watches out for vehicles you can't see when you're reversing out of tight parking spaces.

Because we care about other road-users just as much as you, Pedestrian and Cyclist Detection with Full Auto-Brake watches out for pedestrians and cyclist in your path and applies the brakes if you're unable to react in time.

“Relax and let your Volvo do the hard work for you.”

“Our Drive-E powertrains give you an exhilarating driving experience with smooth, instant response and a reduced environmental impact.”

COMMITTED TO SAFETY.

SUSTAINABLE DRIVING IS EXCITING.

INTELLISAFE

Since the birth of Volvo Cars in 1927, keeping you safe has been part of our DNA. We have pioneered safety advances and invented life-saving technologies, such as the three-point safety belt. We have also equipped all of our cars with safety cages and laminated windscreens since 1944. In 1976, we developed the catalytic converter and the lambda sond, a sensor that monitors exhaust gas, reducing emissions and boosting performance as well as economy.

Today, we are building cars that actively scan the area around you, looking out for the unexpected. Volvo pioneered City Safety, a low-speed collision avoidance technology that helps prevent collisions at speeds up to 50 km/h. We were the world's first car manufacturer to include this feature as standard equipment in all new models.

We also developed Pedestrian Detection, a system that detects pedestrians and brakes

the car when necessary, and we will not stop there.

Tracker Connect provides access to roadside assistance and emergency support at the touch of a button. Also included is automatic collision alert, which notifies a trained operator to contact the vehicle and send emergency service as soon as a collision is detected. In the future, our aim is to design cars that will prevent collisions with other road users altogether.

DRIVE-E

At the heart of every Volvo car we make is our approach to sustainable driving and innovative thinking. We offer a range of technologies that give you greater efficiency and lower running costs.

Our Drive-E powertrains combine the low fuel consumption and emissions of a four cylinder engine with the performance of a six or eight cylinder engine. The result is a smooth, powerful drive, with fewer stops at the pumps. We also offer an interior Air Quality System that checks incoming air for pollutants and closes the vents when necessary – we call this CleanZone. An active carbon filter helps

protect you from harmful gases and unpleasant odors, so you can breathe happy and healthy.

At Volvo Cars, we always strive to make our manufacturing process sustainable. All of the electricity for our factories in Sweden and Belgium comes from clean hydro-electric or wind power. Environmentally-aware mobility is central to our philosophy of intelligent, thoughtful luxury.





RDESIGN

R-DESIGN Exterior

Are you ready for R-DESIGN? Celebrating sports and style in its own way, the Volvo V40 R-DESIGN is for the enthusiast. An imposing front with LED daytime running lights, silk metal décor mouldings, the rear diffuser, dual tail end pipes and 18" sports wheels – everything about R-DESIGN has one simple message: "Drive me". Inspired by classic racing, Bursting Blue is a colour that is passionately sporty without asking for permission. Maybe just like you?



R-DESIGN Interior

Looking for passion? Inside the Volvo V40 R-DESIGN, you are surrounded by racing inspired styling details in perforated leather and aluminium. In front of you, there is the intuitive R-DESIGN blue digital driver information display. And above you, the black inner roofline creates an intimate sporty ambience that puts you in the centre of the action.

R-DESIGN Seats

Inspired by racing technology, the R-DESIGN seats feature seating surfaces in high-friction durable Nubuck textile. Together with the seat's side support, it keeps you firmly in place even during the high lateral g-forces that often comes with inspired driving. Alternatively, the seating surfaces can be covered with genuine Nappa leather that has a natural feel, is soft to touch and adds a sense of luxury to the interior.

Contrasting stitching enhances the sculpted seat design. And for the uncompromised sporty touch, sections of the seats are upholstered in perforated leather that are also echoed in the handbrake lever, gearshift gaiter and front centre armrest.

BESPOKE TAILORING FROM VOLVO. The finest fabrics, superb stitching and exacting attention to detail – whichever interior you choose for your Volvo V40, you will be surrounded by luxury. How will you tailor yours?



P500



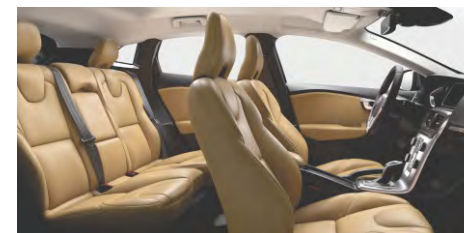
P92G



P100



P10G



P107



LEATHER. This is the upholstery that affords the Volvo V40 an atmosphere of luxury. It is a new hide quality that is smooth, durable and has a fine grain pattern. Like all Volvo leather, it is organically tanned and ages beautifully.

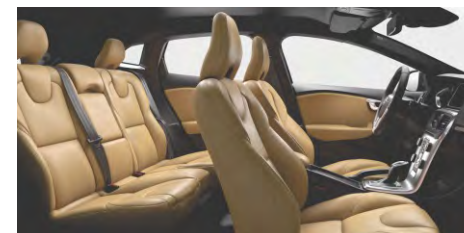
NB It is not possible to reproduce exact original shades in printed matter.



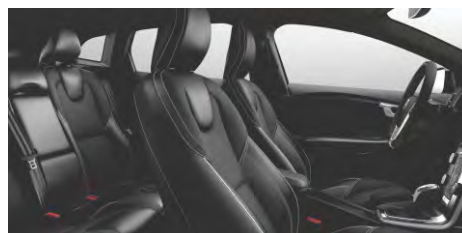
P12G



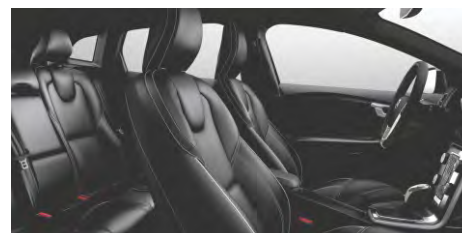
P160



P167



PR00



PZ00

V40 Upholstery	Upholstery code	Interior colour	Upholstery colour	Upper part of dashboard	Door panel, lower dashboard, & upper tunnel console	Base and inlay carpets	Door insert colour	Headliner colour
Dynamic Textile/Tricotex	P500	Charcoal	Charcoal	Charcoal	Charcoal	Charcoal solid	Charcoal	Blond
	P92G	Charcoal / Blond	Blond	Charcoal	Blond	Charcoal solid	Blond	Blond
Standard Leather	P100	Charcoal	Charcoal	Charcoal	Charcoal	Charcoal solid	Charcoal	Blond
	P10G	Charcoal	Blond	Charcoal	Charcoal	Charcoal solid	Blond	Blond
	P107	Charcoal	Amber	Charcoal	Charcoal	Charcoal solid	Amber	Blond
	P12G	Charcoal / Blond	Blond	Charcoal	Blond	Charcoal solid	Blond	Blond
	P160	Charcoal	Charcoal	Charcoal	Charcoal	Charcoal solid	Charcoal	Charcoal
	P167	Charcoal	Amber	Amber	Charcoal	Charcoal	Charcoal solid	Amber
R-Design	PR00	Charcoal	Charcoal	Charcoal	Charcoal	Charcoal solid	Charcoal	Black
Sport Seats	PZ00	Charcoal	Charcoal	Charcoal	Charcoal	Charcoal solid	Charcoal	Black

INTERIOR DETAILS. A selection of premium materials to complement your interior upholstery.



Leather steering wheel, charcoal.



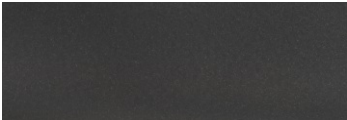
Leather steering wheel with silver inlay, dual tone.



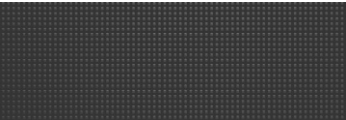
Leather steering wheel with silver inlay, charcoal.



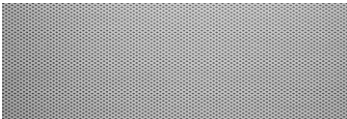
Illuminated leather gear knob



Charcoal inlay



Black grid aluminium inlay



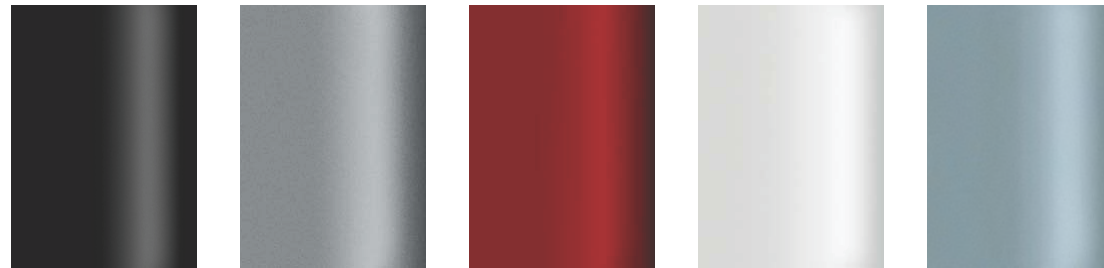
Milled aluminium inlay



R-DESIGN décor inlay



COLOUR YOUR VOLVO. When it comes to the appearance of your Volvo, the choice of exterior colour and wheels are probably your most important design decisions. For more exterior styling options and to build your new Volvo online, please visit www.volvocars.com/za and go to Car Configurator.



019 Black Stone solid

477 Electric Silver metallic (i)

612 Passion Red solid (i)

614 Ice White solid (i)

621 Amazon Blue solid



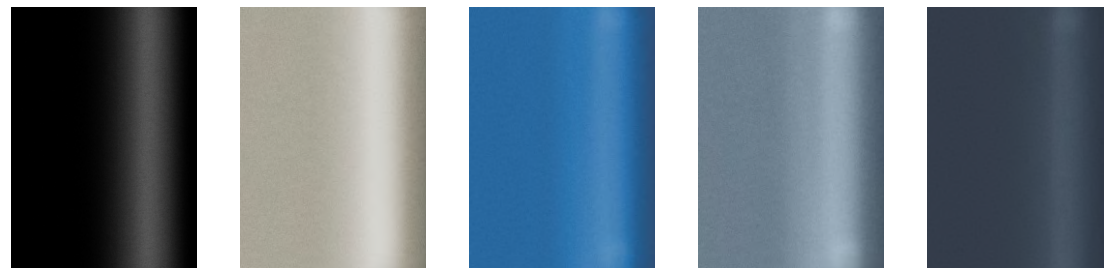
702 Flamenco Red pearl metallic

707 Crystal White pearl metallic (i)

708 Raw Copper metallic

711 Bright Silver metallic (i)

714 Osmium Grey metallic (i)



717 Onyx Black metallic (i)

719 Luminous Sand metallic

720 Bursting Blue metallic (ii)

721 Mussel Blue metallic

723 Denim Blue metallic

(i) Also available on **REDESIGN** (ii) **REDESIGN** only

Please note: It is not possible to reproduce exact original shades in printed matter. Please ask your dealer to show you samples.

CLEAN COLOURS. To reduce usage of environmentally hazardous solvents all Volvo exterior colours are water-based. What is more, our painting facilities are among the cleanest in the world.

EXTERIOR DESIGN. V40 Alloy wheels.

DC: Diamond Cut



16" Matres, silver stone



16" Markeb, black, DC



17" Segomo, grey



17" Spider, grey, DC



17" Sarpas, silver, DC



18" Midir, black, DC



18" Tamesis, bright silver



18" Narvi, black, DC



18" Atreus, black stone / glossy white (accessory wheel)



18" Ixion IV, matt black, DC (REDESIGN only)

IN FINE DETAIL. The nuts and bolts of your Volvo V40. Whatever you need to know about your new car – be it fuel consumption, CO₂ emissions, top speed or boot space – you will find it here.

ENGINE		T3 Manual	T3 Geartronic	Manual	T4 Geartronic	T5 Geartronic	D2 Manual	D3 Geartronic	D4 Geartronic
Configuration		Transverse – 16 valve	Transverse 16 valve	Transverse – 16 valve	Transverse – 16 valve	Transverse – 16 valve	Transverse – 16 valve	Transverse – 16 valve	Transverse – 16 valve
Cylinders		4	4	4	4	4	4	4	4
Engine capacity, cc		1969	1498	1969	1969	1969	1969	1969	1969
Bore x stroke, mm		82 x 93.2	82 x 70.9	82 x 93.2	82 x 93.2	82 x 93.2	82 x 93.2	82 x 93.2	82 x 93.2
Max. output ECE,	kW rpm	112 5000	112 5000	140 4700	180 5500	88 3750	110 3750	140 4250	
Max. torque ECE,	Nm rpm	250 1300-4000	250 1700-4000	300 1300-4000	350 1500-4800	280 1500-2250	320 1750-3000	400 1750-2500	
Octane rating		95 RON unleaded	95 RON unleaded	95 RON unleaded	95 RON unleaded	50ppm Diesel	50ppm Diesel	50ppm Diesel	
Fuel system		Direct fuel injection	Direct fuel injection	Direct fuel injection	Direct fuel injection	Common rail direct injection	Common rail direct injection	Common rail direct injection	
Compression ratio		11.3:1	10.5:1	11.3:1	10.8:1	16.0:1	16.0:1	15.8:1	

PERFORMANCE		T3 Manual	T3 Geartronic	Manual	T4 Geartronic	T5 Geartronic	D2 Manual	D3 Geartronic	D4 Geartronic
Top speed km/h		210	210	210	240	190	210	230	
Acceleration 0-100 km/h sec		8.3	8.3	6.9	6.3	10.5	8.4	7.2	
Drag coefficient		0.29	0.29	0.29	0.29	0.29	0.29	0.29	

FUEL CONSUMPTION*		T3 Manual	T3 Geartronic	Manual	T4 Geartronic	T5 Geartronic	D2 Manual	D3 Geartronic	D4 Geartronic
Urban	l/100 km*	7.3	7.3	7.3	7.2	7.9	4.1	4.8	5.0
Extra Urban	l/100 km*	4.5	4.5	4.5	4.6	4.8	3.3	3.8	3.7
Combined	l/100 km*	5.5	5.5	5.5	5.5	5.9	3.4	4.1	4.2
CO ₂ g/km*		127	129	127	128	137	89	108	109
Fuel tank capacity	(litres)	62	62	62	62	62	62	62	62

The results do not express or imply any guarantee of the fuel consumption of a particular car as there are inevitable differences between individual cars of the same model. Additionally, driving style, traffic conditions, as well as the age and mileage and standard of maintenance will affect a car's fuel consumption.

- * All fuel consumption figures and CO₂ emissions are based on the New European Driving Cycle (NEDC) test procedure. This test procedure is designed to assess the emission levels of car engines and fuel economy in passenger cars.
- * The results do not express or imply any guarantee of the fuel consumption of a particular car as there are inevitable differences between individual cars of the same model. Additionally, driving style, traffic conditions, as well as the age and mileage and standard of maintenance will affect a car's fuel consumption.
- * The weight of the vehicle will influence the level of CO₂ emitted. As a result, vehicles with higher levels of specification and factory fit options may emit higher levels of CO₂.

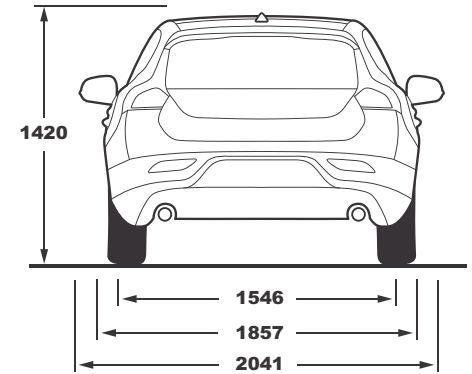
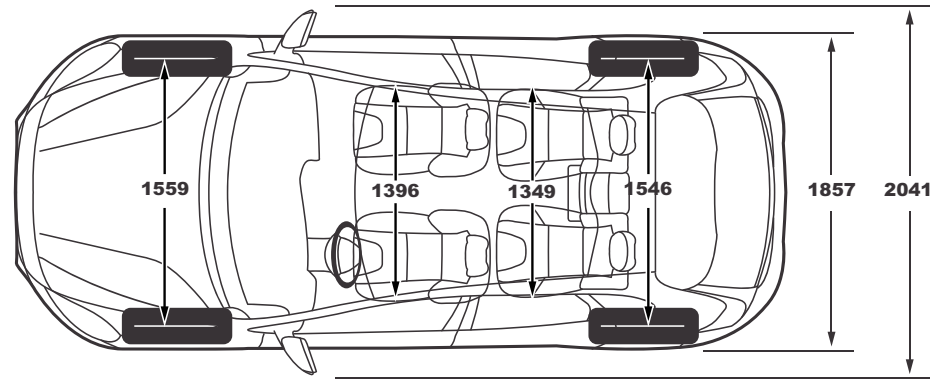
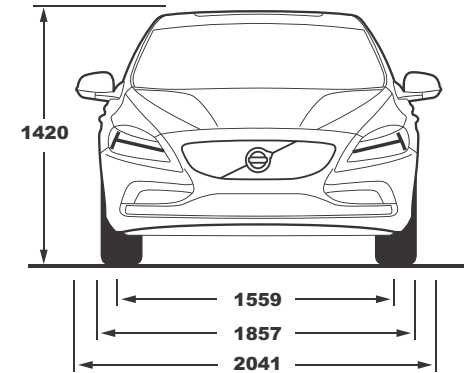
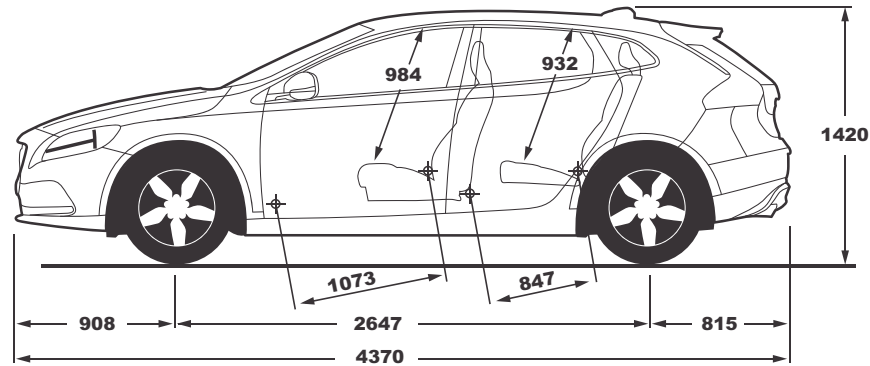
POWER STEERING SYSTEM	V40 T3, T4, D2	V40 D3, D4, T5
Turning circle, m (rack and pinion)	10.8	11.7

LUGGAGE COMPARTMENT	PETROL	DIESEL
Rear seats up - litres	324	335

TRANSMISSION	ALL MODELS
Manual (T3, T4, D2)	6 speed
Geartronic (T3, T4, D3)	6 speed
Geartronic (D4, T5)	8 speed

BRAKES	T3, T4, D2	D3, D4, T5
Front disc diameter, mm	300	320
Rear disc diameter, mm	280	280

GROUND CLEARANCE	DYNAMIC CHASSIS	SPORT CHASSIS
At kerb weight (mm)	133	121



WEIGHT	T3 Manual	T3 Geartronic	T4 Manual	T4 Geartronic	T5 Geartronic	D2 Manual	D3 Geartronic	D4 Geartronic
Min. kerb weight, kg (actual kerb weight dependent on spec.)	1417	1421	1417	1428	1447	1382	1439	1474
Max. possible towing weight braked, kg	1500	1500	1500	1500	1500	1500	1500	1500
Max. towing weight unbraked, kg**	700	700	700	700	700	650	700	700
Max. total weight, kg	1965	1965	1965	1975	2000	1920	1995	2025
Max. roof load, kg	75	75	75	75	75	75	75	75

All measurements in mm.

** Unbraked towing weight must not exceed 50% of kerb weight up to a maximum of approximately 750 kg.

NB Some of the information in this brochure may not be correct due to product changes which may have occurred since it was printed. Some of the equipment described or shown may now be available only at extra cost. Before ordering, please ask your Volvo dealer for the latest information. The manufacturer reserves the right to make changes at any time, without notice, to colour, materials, specifications and models.



Volvo Car
Financial Services
A product of WesBank



Volvo Car
Financial Services
A product of WesBank

Volvo Car Road Side Assistance

On 1 January 2014, Tracker Connect became Volvo's new roadside assistance partner.

Services include:

- Medical emergency assistance
- Fuel assistance
- Recovery towing
- Emergency transportation
- "Stand by you" roadside security
- Free mobile app
- Web access to conveniently position your vehicle or draw reports which can be used to log and submit business or private usage to SARS.
- Volvo Car South Africa branded smartphone app
- Flat tyre assistance
- Battery service
- Overnight accommodation
- Accident towing
- Repatriation
- In-car Volvo Assist button
- Impact detection
- Mileage monitoring

Furthermore, the option to include Proactive Stolen Vehicle Recovery for as little as R199* per month is also available.

* Reviewed and adjusted annually.

The number to call is 0800 MYVOLVO (698 6586)

Volvo Car Financial Services

Volvo Car Financial Services has flexible financing options that enable you to structure your deal according to your specific requirements.

We want your experience of buying and owning a Volvo to be enjoyable and hassle-free. That is why we have developed the following online service tools:

- Online finance application – apply for finance any time of day or night and get an instant answer.
- Calculators – calculate your monthly repayments or calculate the value of a vehicle that you could buy based on a specified monthly repayment.
- Account services – manage your account in a secure and user-friendly online environment in real time.

So, remember to insist on Volvo Car Financial Services at your dealer or simply visit www.volvocars.com/za for more information.

Volvo Versatility Finance

For a tailor-made deal and guaranteed future value.

With best-in-class guaranteed future value across the entire Volvo range, it is a forward-thinking way to finance and future-proof your dream Volvo. When you reach the end of your finance period, you can renew, return or retain your Volvo. It is all up to you.

Flexibility today. Certainty tomorrow.

* Terms and conditions apply. As at time of print.



Volvo Car
Insurance

Volvo Car Insurance

Peace of mind. Our idea of luxury.

A Volvo-personalised insurance scheme. Highly competitive comprehensive insurance premiums available on all Volvo models.

Ask your Volvo dealer for more information.

Underwritten by Guardrisk Insurance Company (PTY) LTD, FSP NO:75. Administered by Insurance Underwriting Managers (PTY) LTD, FSP NO:21820.

* Terms and conditions apply.

V O L V O

All models standard with a 5 year / 100 000km Volvo Plan.

NB Some of the information in this brochure may not be correct due to product changes which may have occurred since it was printed. Before ordering, please ask your Volvo dealer for the latest information. The manufacturer reserves the right to make changes at any time, without notice, to colour, materials, specifications and models. Issued June 2017.

VOLVOCARS.COM/ZA