



VOLVO V40





“Sensus is our way of enabling you to communicate instinctively with your car, and keep you connected with your digital world.”

YOU'RE IN CONTROL, NATURALLY.

SENSUS

We have designed a gorgeous space around the driver. All of our instruments and controls are intuitive and easy to use. We call this approach of connecting you and your car with the world around you, “Sensus”.

The Sensus screen is a multimedia hub, giving you immediate connectivity to information and entertainment at your fingertips.

You can also choose between three unique instrument cluster modes to customize your driving experience even further.

“Relax and let your Volvo do the hard work for you.”

“Our Drive-E powertrains give you an exhilarating driving experience with smooth, instant response and a reduced environmental impact.”

COMMITTED TO SAFETY.

SUSTAINABLE DRIVING IS EXCITING.

INTELLISAFE

Since the birth of Volvo Cars in 1927, keeping you safe has been part of our DNA. We have pioneered safety advances and invented life-saving technologies, such as the three-point safety belt. We have also equipped all of our cars with safety cages and laminated windscreens since 1944. In 1976, we developed the catalytic converter and the lambda sond, a sensor that monitors exhaust gas, reducing emissions and boosting performance as well as economy.

Today, we are building cars that actively scan the area around you, looking out for the unexpected. Volvo pioneered City Safety, a low-speed collision avoidance technology that helps prevent collisions at speeds up to 50 km/h. We

were the world's first car manufacturer to include this feature as standard equipment in all new models.

We also developed Pedestrian Detection, a system that detects pedestrians and brakes the car when necessary, and we will not stop there.

Tracker Connect provides access to roadside assistance and emergency support at the touch of a button. Also included is automatic collision alert, which notifies a trained operator to contact the customer and send emergency service as soon as a collision is detected. In the future, our aim is to design cars that will prevent collisions with other road users altogether.



City Safety functions at speeds up to 50 km/h. This system can help prevent a collision if the difference in speed between your vehicle and the vehicle ahead is less than 15 km/h.



We've further improved our optional Blind Spot Information System (BLIS). It now uses radar technology to alert you to vehicles closing up in your blind spot. There's also Cross Traffic Alert, which watches out for vehicles you can't see when you're reversing out of tight parking spaces.



Because we care about other road-users just as much as you, Pedestrian and Cyclist Detection with Full Auto-Brake watches out for pedestrians and cyclist in your path and applies the brakes if you're unable to react in time.



DRIVE-E

At the heart of every Volvo car we make is our approach to sustainable driving and innovative thinking. We offer a range of technologies that give you greater efficiency and lower running costs.

Our Drive-E powertrains combine the low fuel consumption and emissions of a four cylinder engine with the performance of a six or eight cylinder engine. The result is a smooth, powerful drive, with fewer stops at the pumps. We also offer an interior Air Quality System that checks incoming air for pollutants and closes the vents when necessary – we call this CleanZone. An active carbon filter helps protect you from

harmful gases and unpleasant odors, so you can breathe happy and healthy.

At Volvo Cars, we always strive to make our manufacturing process sustainable. All of the electricity for our factories in Sweden and Belgium comes from clean hydro-electric or wind power. Environmentally-aware mobility is central to our philosophy of intelligent, thoughtful luxury.



R-DESIGN Exterior

Are you ready for R-DESIGN? Celebrating sports and style in its own way, the Volvo V40 R-DESIGN is for the enthusiast. An imposing front with LED daytime running lights, silk metal décor mouldings, the rear diffuser, dual tail end pipes and 18" sports wheels – everything about R-DESIGN has one simple message: "Drive me". Inspired by classic racing, Bursting Blue is a colour that is passionately sporty without asking for permission. Maybe just like you?



R-DESIGN Interior

Looking for passion? Inside the Volvo V40 R-DESIGN, you are surrounded by racing inspired styling details in perforated leather and aluminium. In front of you, there is the intuitive R-DESIGN blue digital driver information display. And above you, the black inner roofline creates an intimate sporty ambience that puts you in the centre of the action.

R-DESIGN Seats

Inspired by racing technology, the R-DESIGN seats feature seating surfaces in high-friction durable Nubuck textile. Together with the seat's side support, it keeps you firmly in place even during the high lateral g-forces that often comes with inspired driving. Alternatively, the seating surfaces can be covered with genuine Nappa leather that has a natural feel, is soft to touch and adds a sense of luxury to the interior.

Contrasting stitching enhances the sculpted seat design. And for the uncompromised sporty touch, sections of the seats are upholstered in perforated leather that are also echoed in the handbrake lever, gearshift gaiter and front centre armrest.

COLOUR YOUR VOLVO. When it comes to the appearance of your Volvo, the choice of exterior colour and wheels are probably your most important design decisions. For more exterior styling options and to build your new Volvo online, please visit www.volvocars.com/za and go to Build your Volvo.



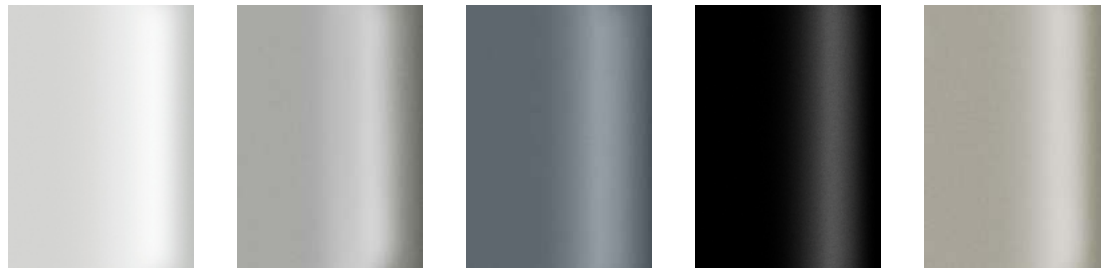
019 Black Stone solid

477 Electric Silver metallic (i)

612 Passion Red solid (i)

614 Ice White solid (i)

621 Amazon Blue solid



707 Crystal White pearl metallic (i)

711 Bright Silver metallic (i)

714 Osmium Grey metallic (i)

717 Onyx Black metallic (i)

719 Luminous Sand metallic



720 Bursting Blue metallic (ii)

721 Mussel Blue metallic

723 Denim Blue metallic

725 Fusion Red metallic

(i) Also available on **RECCEN** (ii) **RECCEN** only

Please note: It is not possible to reproduce exact original shades in printed matter. Please ask your dealer to show you samples.

CLEAN COLOURS. To reduce usage of environmentally hazardous solvents all Volvo exterior colours are water-based. What is more, our painting facilities are among the cleanest in the world.

EXTERIOR DESIGN. V40 Alloy wheels.

DC: Diamond Cut



16" Matres, silver stone



16" Markeb, black, DC



17" Segomo, grey



17" Spider, grey, DC



17" Sarpas, silver, DC



17" Rodinia, black, DC



18" Midir, black, DC



18" Tamesis, bright silver



18" Narvi, black, DC



18" Atrous, black stone / glossy white (accessory wheel)



18" Ixion IV, matt black, DC (**RECCEN** only)



P500



P560



P92G



P100



P10G



P107



PR00



P12G



P160



P167



PZ00

BESPOKE TAILORING FROM VOLVO. The finest fabrics, superb stitching and exacting attention to detail – whichever interior you choose for your Volvo V40, you will be surrounded by luxury. How will you tailor yours?

NB It is not possible to reproduce exact original shades in printed matter.

Code	Description	Interior colour	Upholstery colour	Dashboard top	Door panel, lower dashboard, & upper tunnel console	Carpet & lower tunnel console	Door panel insert colour	Headliner colour
Dynamic Textile / Tricotex								
P500	Textile	Charcoal	Charcoal	Charcoal	Charcoal	Charcoal solid	Charcoal	Blond
P560	Textile	Charcoal	Charcoal	Charcoal	Charcoal	Charcoal solid	Charcoal	Charcoal
P92G	Textile	Charcoal / Blond	Blond	Charcoal	Blond	Charcoal solid	Blond	Blond
Standard Leather								
P100	Leather	Charcoal	Charcoal	Charcoal	Charcoal	Charcoal solid	Charcoal	Blond
P10G	Leather	Charcoal	Blond	Charcoal	Charcoal	Charcoal solid	Blond	Blond
P107	Leather	Charcoal	Amber	Charcoal	Charcoal	Charcoal solid	Amber	Blond
P12G	Leather	Charcoal / Blond	Blond	Charcoal	Blond	Charcoal solid	Blond	Blond
P160	Leather	Charcoal	Charcoal	Charcoal	Charcoal	Charcoal solid	Charcoal	Charcoal
P167	Leather	Charcoal	Amber	Charcoal	Charcoal	Charcoal solid	Amber	Charcoal
R-Design Sport seats								
PR00	Sport Leather	Charcoal	Charcoal	Charcoal	Charcoal	Charcoal solid	Charcoal	Charcoal
PZ00	Sport Leather	Charcoal	Charcoal	Charcoal	Charcoal	Charcoal solid	Charcoal	Charcoal

INTERIOR DETAILS. A selection of premium materials to complement your interior upholstery.



Leather steering wheel, charcoal.



Leather steering wheel with silver inlay, dual tone.



Leather steering wheel with silver inlay, charcoal.



Illuminated leather gear knob



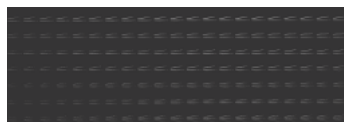
Charcoal inlay



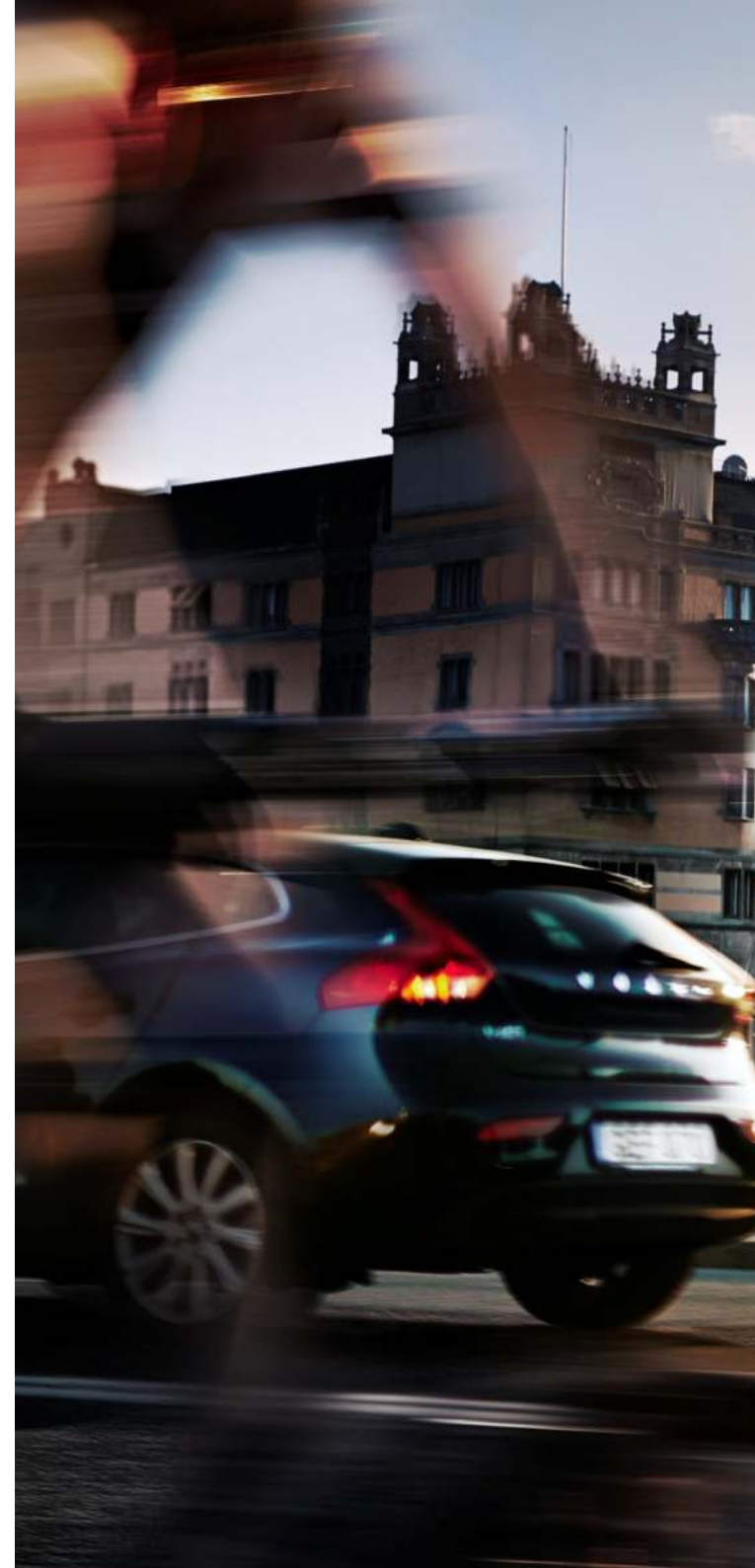
Black grid aluminium inlay



Milled aluminium inlay



R-DESIGN decor inlay





V40 KINETIC

Kinetic variants come standard with all the features you would expect from a Volvo. Beyond the innovative City Safety technology, dual zone electronic climate control and laminated side windows with electric operation, the Kinetic variants also offer 16" Matres silver stone alloy wheels, daytime running lights, heated and electrically adjustable side mirrors and a Performance Sound system with a 5" colour display screen.

Variants:	Diesel	Petrol
	D2 Geartronic	T2 Geartronic
		T3 Geartronic

V40 MOMENTUM

Momentum variants share the same grille as Kinetic variants with vertical glossy black bars. At the front, standard LED daytime running lights in the lower bumper add a nice finishing touch. Linked to the black theme, this trim level now also gets a black rubber greenhouse frame. New expressive 16" Markeb glossy black diamond cut wheels (D2, T2, T3 and T4 variants) and 18" Narvi diamond cut wheels (D3, D4 and T5 variants) enhance the modern look of this car.

Variants:	Diesel	Petrol
	D2 Geartronic	T2 Geartronic
	D3 Geartronic	T3 Geartronic
	D4 Geartronic	T4 Geartronic
		T5 Geartronic

V40 INSCRIPTION

Inscription variants offer a more premium look, featuring a grille with vertical glossy black bars and exclusive-looking chrome strips with a radar cover (also on cars without IntelliSafe). In the front, LED illumination with the iconic Thor's Hammer design seen on Volvo's new 90-cars, give the new V40 an even wider look in the front and highlight the family bonds with its bigger siblings.

Variants:	Diesel	Petrol
	D2 Geartronic	T2 Geartronic
	D3 Geartronic	T3 Geartronic
	D4 Geartronic	T4 Geartronic
		T5 Geartronic

V40 *R-DESIGN*

The striking exterior lines of the new V40 R-DESIGN are enhanced with 18" Ixion IV black diamond cut alloy wheels, a revised grille with modified bumpers, an aggressive rear diffuser with twin tail pipes and a rear spoiler optimised for high performance. All this together with the R-DESIGN sports chassis enhance the handling of this model. Its visual presence is complemented with matt silver door mirrors, R-DESIGN sports leather upholstery with side support, unique interior trim and an R-DESIGN sports leather steering wheel.

Variants:	Diesel	Petrol
	D2 Geartronic	T2 Geartronic
	D3 Geartronic	T3 Geartronic
	D4 Geartronic	T4 Geartronic
		T5 Geartronic





THE RIGHT EQUIPMENT. It is essential that your Volvo comes equipped with everything you need. Below you will find standard equipment for each model variant, plus optional equipment to personalise your Volvo V40. And as you would expect, there is an array of industry-leading, cutting edge safety innovations.








STANDARD EQUIPMENT – SAFETY AND SECURITY	Kinetic	Momentum	Inscription	RDESIGN
City Safety	•	•	•	•
Stop / Start technology	•	•	•	•
Alarm	•	•	•	•
Immobiliser	•	•	•	•
IMS (Interior Movement Sensor)	•	•	•	•
Inclination sensor	•	•	•	•
Key integrated remote control, central locking	•	•	•	•
Home safe approach lighting	•	•	•	•
Manual child locks, rear side doors	•	•	•	•
Lockable glove box	•	•	•	•
Electrical lock status indication in driver door	•	•	•	•
Laminated side windows with UV protection (Llumar film)	•	•	•	•
Two step airbags, driver / passenger side	•	•	•	•
Passenger airbag	•	•	•	•
SIPS airbags	•	•	•	•
Inflatable curtains	•	•	•	•
Whiplash protection, front seats	•	•	•	•
Knee airbag, driver side	•	•	•	•
5 x three-point seat belts	•	•	•	•
Rear seatbelt detection, left, right and middle seats	•	•	•	•
Adaptable pyrotechnical pre-tensioners, all 4 outer seats	•	•	•	•
Passenger airbag cut-off switch	•	•	•	•
ISOFIX - outer positions, rear seats	•	•	•	•
EBA (Emergency Brake Assist)	•	•	•	•
Emergency brake lights, flashing	•	•	•	•
High positioned rear brake light	•	•	•	•
IDIS (Intelligent Driver Information System)	•	•	•	•
ESC (Electronic Stability Control)	•	•	•	•
ASC (Advanced Stability Control)	•	•	•	•
ABS (Anti-lock Brake System)	•	•	•	•

STANDARD EQUIPMENT – EXTERIOR	Kinetic	Momentum	Inscription	RDESIGN
16" Matres silver stone wheels on T2, T3 and D2	•	n/a	n/a	n/a
16" Markeb glossy black diamond cut wheels (T2, T3, D2 and T4)	n/a	•	•	n/a
18" Narvi diamond cut wheels (D3, D4 and T5)	n/a	•	•	n/a
Plastic protection wheel caps	•	•	•	•
Laminated front windscreen	•	•	•	•
Electrically heated rear window	•	•	•	•





STANDARD EQUIPMENT – EXTERIOR Continued

	Kinetic	Momentum	Inscription	RDESIGN
Standard decor side windows	●	●	n/a	n/a
Bright chrome decor mouldings around side windows	n/a	n/a	●	n/a
Capless fuel filling	●	●	●	●
Heated and electrically adjustable outer mirrors	●	●	●	●
Retractable outer rearview mirrors	○	●	●	●
Puddle lights in outer rearview mirrors	○	●	●	●
Colour coded mirror covers	●	●	●	n/a
Halogen lights with level adjuster	●	●	n/a	●
LED Headlights – mid-level	○	○	●	○
Thor Hammer LED DRL lights	○	○	●	○
Lower bumper chrome strip	n/a	n/a	●	n/a
Grille, standard	●	●	n/a	n/a
Grille, Inscription	n/a	n/a	●	n/a
Roof spoiler, fuel economy optimised (T2 and D2)	●	●	●	●
Roof spoiler, high performance optimised (n/a on T2 and D2)	●	●	●	●
Rear fog light, auto-off	●	●	●	●
Lower grille, standard grained finish	●	●	n/a	●
Lower grille, painted high gloss black	n/a	n/a	●	n/a
Front door tread plates	n/a	●	n/a	n/a
Tread plates, Inscription	n/a	n/a	●	n/a
Single exhaust pipe, hidden (only T2)	●	●	●	n/a
Double exhaust pipes, visible	●	●	●	n/a
Park assist, rear	○	●	●	●
Dynamic Chassis (n/a on T2 and D2)	●	●	●	n/a
Comfort Chassis (only on T2 and D2)	●	●	●	n/a
Indirect TPMS (Tyre Pressure Monitoring System)	●	●	●	●
Temperature gauge, outer	●	●	●	●
 Silk metal decor mouldings around side windows				●
 Daytime running lights				●
 Silver mirror covers				●
 Grille				●
 Tread plates				●
 Double exhaust pipes				●
 18" Ixion IV matt black diamond cut alloy wheels				●

STANDARD EQUIPMENT – INTERIOR

	Kinetic	Momentum	Inscription	RDESIGN
ECC (Electronic Climate Control) dual zone	●	●	●	●
Pollen filter	●	●	●	●
Automatic windows, all doors	●	●	●	●
Analog instrument cluster	●	●	n/a	n/a
Digital combined instrument cluster with TFT crystal display	○	○	●	●
Textile / Tricotech combination seats	●	n/a	n/a	n/a

Continued overleaf

STANDARD EQUIPMENT – INTERIOR Continued	Kinetic	Momentum	Inscription	R^{DESIGN}
Standard comfort leather seats	o	●	●	n/a
Manually adjusted driver seat with adjustable lumbar support	●	n/a	n/a	n/a
Power driver seat + memory for seat and exterior mirrors	o	●	●	●
Power passenger seat	o	o	●	o
Non-height adjustable passenger seat without lumbar support, 4-way	●	n/a	n/a	n/a
Height adjustable passenger seat with lumbar support, 6-way	o	●	n/a	●
Quick foldable backrest, passenger seat	●	●	●	●
Charcoal décor inlay with chrome frame	●	n/a	n/a	n/a
Black grid aluminium inlay	o	●	o	n/a
Milled aluminium inlay	o	o	●	n/a
Deco insert, doors / dashboard, charcoal	●	n/a	n/a	n/a
Deco insert, doors / dashboard, bright	o	●	●	●
Leather steering wheel, 3-spoke	●	●	n/a	n/a
Leather steering wheel with decor inlay, 3-spoke	o	o	●	n/a
Gear lever knob, leather	●	●	●	n/a
Leather handbrake	●	●	●	n/a
Gear lever illumination	o	o	●	●
Gearshift paddles (n/a on T2 and D2)	o	o	o	●
Front reading and footwell lights	●	●	n/a	●
Interior lights package - high version	o	o	●	o
Chrome rings on audio and climate control knobs	●	●	●	●
Automatic dimming inner rearview mirror	●	●	●	●
Two illuminated sun visors	●	●	●	●
Cigarette lighter and ashtray	●	●	●	●
Cup holders in rear seat	●	●	●	●
Carpet kit	●	●	●	n/a
Front cup holders in tunnel console	●	●	●	●
Storage in front doors	●	●	●	●
Storage behind centre console	●	●	●	●
Sliding armrest, tunnel console	●	●	●	●
Load cover / parcel shelf	●	●	●	●
Foldable high positioned load floor	●	●	●	●
12V power outlet, cargo area	●	●	●	●
Warning triangle	●	●	●	●
Tempa spare wheel - T115/90R16	●	●	●	●
Jack kit	●	●	●	●
Trip computer	●	●	●	●
Cruise control	o	●	●	●
Hill start assist	●	●	●	●
Height / reach adjustable steering wheel	●	●	●	●
Electric power steering	●	●	●	●
Rain sensor	o	●	●	●
Performance Sound / AUX / 6 x loud speakers	●	●	n/a	n/a
5 inch colour display screen	●	●	n/a	n/a
High Performance Sound Multimedia and Connectivity, USB, Bluetooth® and 8 x loud speakers, 7 inch colour display screen	o	o	●	●





STANDARD EQUIPMENT – INTERIOR Continued

	Kinetic	Momentum	Inscription	RDESIGN
Connected service booking	o	o	●	●
Single CD player with MP3 decoder	●	●	n/a	n/a
Single DVD player, 7" screen, internet connectivity	o	o	●	●
Auxiliary audio input (AUX connector)	●	●	n/a	n/a
USB and IPOD function	o	o	●	●
Audio buttons in steering wheel	●	●	●	●
RDESIGN Perforated full leather seats				●
RDESIGN Décor inlay				●
RDESIGN Sport steering wheel, 3-spoke				●
RDESIGN Gear lever knob				●
RDESIGN Leather handbrake				●
RDESIGN Sport pedals				●
RDESIGN Carpet kit				●

*** OPTIONAL EQUIPMENT – SAFETY AND SECURITY**

	Kinetic	Momentum	Inscription	RDESIGN
PCC (Personal Car Communicator) with Keyless Drive	o	o	o	o
Power child locks - rear side doors	o	o	o	o
Pedestrian airbag	o	o	o	o
Driver alert system, lane keeping aid and active high beam (i)	o	o	o	o
Collision warning with full auto brake, pedestrian and cyclist detection with Adaptive Cruise Control, with ACC to CC toggling (i) (v)	o	o	o	o
BLIS (Blind Spot Information System) with CTA (Cross Traffic Alert)	o	o	o	o
Rear parking camera	o	o	o	o
Park assist rear	o	●	●	●
Park assist front and rear	o	o	o	o
Park assist pilot with park assist, front and rear	o	o	o	o

*** OPTIONAL EQUIPMENT – INTERIOR**

	Kinetic	Momentum	Inscription	RDESIGN
AQS (Air Quality System)	o	o	o	o
Digital combined instrument cluster with TFT crystal display	o	o	●	●
Power driver seat with memory function	o	●	●	●
Height adjustable passenger seat with lumbar support (6-way)	o	●	n/a	●
Power passenger seat (iv)	o	o	●	o
Heated front seats	o	o	o	o
Heated rear seat (ii)	o	o	o	o
Black grid aluminium inlay	o	●	o	n/a
Milled aluminium inlay	o	o	●	n/a
Cruise control	o	●	●	●
Gearshift paddles (n/a on T2 and D2)	o	o	o	●
Textile / T-Tec City Weave upholstery	o	o	o	n/a
RDESIGN Nubuck textile / perforated leather upholstery	n/a	n/a	n/a	o

Continued overleaf

* OPTIONAL EQUIPMENT – INTERIOR Continued	Kinetic	Momentum	Inscription	RDESIGN
Standard leather seats (Kinetic)	o	●	●	n/a
Leather steering wheel with décor inlays, 3-spoke	o	o	●	n/a
Interior lights package - high version	o	o	●	o
Illuminated gear knob	o	o	●	●
Compass in inner rearview mirror	o	o	o	o
Sunglasses holder	o	o	o	o
Load protection net, soft - one piece	o	o	o	o
First-aid kit	o	o	o	o
Steering forces - 3 settings (Normal, City, Sport)	o	o	o	o
High Performance Sound Multimedia and Connectivity, USB, Bluetooth® and 8 x loud speakers	o	o	●	●
Premium Sound Multimedia and Connectivity, USB, Bluetooth® and 10 x loud speakers (Harman / Kardon)	o	o	o	o
Navigation system with RTTI and TMC	o	o	o	o
Remote control (navigation and multimedia) (iii)	o	o	o	o


* OPTIONAL EQUIPMENT – EXTERIOR	Kinetic	Momentum	Inscription	RDESIGN
Metallic paint	o	o	o	o
LED Headlights – mid level	o	o	●	o
LED Headlights with automatic bending – high level	o	o	o	o
LED Daytime running lights (Kinetic and Momentum variants)	o	o	n/a	●
Retractable side mirrors with puddle lights	o	●	●	●
Heated windscreen (i)	o	o	o	o
Rain sensor	o	●	●	●
Tinted windows, rear side doors and cargo area	o	o	o	o
Fixed panoramic sunroof with electric sliding curtain	o	o	o	o
Water repellent front side windows	o	o	o	o
Sport chassis, lowered	o	o	o	●
17" Segomo grey wheels (7,5x17) (no cost on D3, D4, T5)	o	o	o	n/a
17" Spider grey diamond cut wheels (7x17) (no cost on D3, D4, T5)	o	o	o	n/a
17" Sarpas silver diamond cut wheels (no cost on D3, D4, T5)	n/a	n/a	o	n/a
17" Rodinia black diamond cut wheels (7x17) (no cost on D3, D4, T5)	o	o	o	n/a
18" Tamesis wheels (7,5x18) (no cost on D3, D4, T5)	o	o	o	n/a
18" Midir black diamond cut wheels (7,5x18) (no cost on D3, D4, T5)	o	o	o	n/a
18" Narvi diamond cut wheels (7,5x18) (standard on D3, D4, T5)	o	o	o	n/a
18" Atreus black stone / glossy white accessory wheels (D3, D4, T5)	n/a	o	o	n/a
Lockable wheel nuts	o	o	o	o


● = standard; o = option; n/a = not available

* Fitted at factory.

- (i) Must be ordered in combination with rain sensor.
- (ii) Must be ordered in conjunction with heated front seats.
- (iii) Must be ordered in conjunction with High Performance Multimedia Audio or Premium Sound Multimedia Audio Systems (7" colour display screen).
- (iv) Must be ordered in conjunction with power driver's seat.
- (v) Must be ordered in combination with driver alert system.



	Kinetic	Momentum	Inscription	
BASE PACK - T2, T3, D2				
Graphic combined instrument cluster with 8" TFT crystal display	o			
Cruise control	o			
6-way adjustable passenger seat	o			
Rain sensor	o			
Park assist front and rear (swop for park pilot)	o			
High Performance Sound Multimedia and Connectivity, USB, Bluetooth® and 8 x loud speakers	o			
SPORT PACK - T2, T3, D2				
Graphic combined instrument cluster with 8" TFT crystal display	o			
Cruise control	o			
LED headlights - mid level	o			
Park assist front and rear (swop for park pilot)	o			
18" Wheels - Narvi (swop for Tamesis, Spider, Midir, Segomo, standard wheel)	o			
3-spoke leather steering wheel with decor inlay	o			
Steering forces - 3 settings (Normal, City, Sport)	o			
Interior lighting - high version	o			
Gear lever knob, illuminated	o			
High Performance Sound Multimedia and Connectivity, USB, Bluetooth® and 8 x loud speakers	o			
SPORT PACK - T2, T3, D2, T4				
Graphic combined instrument cluster with 8" TFT crystal display		o		
Headlamp cleaners		o		
Active LED headlights - high level		o		
Park assist front and rear (swop for park pilot)		o		
18" Wheels - Narvi (swop for Tamesis, Spider, Midir, Segomo, standard wheel)		o		
3-spoke leather steering wheel with decor inlay		o		
Steering forces - 3 settings (Normal, City, Sport)		o		
Interior lighting - high version		o		
Gear lever knob, illuminated		o		
High Performance Sound Multimedia and Connectivity, USB, Bluetooth® and 8 x loud speakers		o		
SPORT PACK - T2, T3, D2, T4				
Headlamp cleaners			o	
PCC with Keyless Drive			o	
Active LED headlights - high level			o	
Park assist front and rear (swop for park pilot)			o	
18" Wheels - Narvi (Swop for Tamesis, Spider, Midir, Segomo, standard wheel)			o	
Steering forces - 3 settings (Normal, City, Sport)			o	
SPORT PACK - D3, D4, T5				
Graphic combined instrument cluster with 8" TFT crystal display		o		
Headlamp cleaners		o		
PCC with Keyless Drive		o		
Active LED headlights - high level		o		
Park assist front and rear (swop for park pilot)		o		
3-Spoke leather steering wheel with decor inlay		o		
Steering forces - 3 settings (Normal, City, Sport)		o		
Interior lighting - high version		o		
Gear lever knob, illuminated		o		
High Performance Sound Multimedia and Connectivity, USB, Bluetooth® and 8 x loud speakers		o		

	Kinetic	Momentum	Inscription	
SPORT PACK - D3, D4, T5				
Headlamp cleaners			o	
Lockable wheel nuts			o	
PCC with Keyless Drive			o	
Active LED headlights - high level			o	
Park assist front and rear (swop for park pilot)			o	
Steering forces - 3 settings (Normal, City, Sport)			o	
TECHNO PACK - T2, T3, D2				
Heated front seats	o			
Digital combined instrument cluster with 8" TFT crystal display	o			
Cruise control	o			
LED headlights - mid level	o			
Navigation system with RTTI and TMC	o			
Park assist front and rear (swop for park pilot)	o			
PCC with Keyless Drive	o			
Leather steering wheel with decor inlay, 3-spoke	o			
18" Wheels - Narvi (swop for Tamesis, Spider, Midir, Segomo, standard wheel)	o			
Steering forces - 3 settings (Normal, City, Sport)	o			
High Performance Sound Multimedia and Connectivity, USB, Bluetooth® and 8 x loud speakers	o			
TECHNO PACK - T2, T3, D2, T4				
Heated front seats		o		
Digital combined instrument cluster with 8" TFT crystal display		o		
Headlamp cleaners		o		
Navigation system with RTTI and TMC		o		
Park assist front and rear (swop for park pilot)		o		
PCC with Keyless Drive		o		
Active LED headlights - high level		o		
Leather steering wheel with decor inlay, 3-spoke		o		
18" Wheels - Narvi (swop for Tamesis, Spider, Midir, Segomo, standard wheel)		o		
Steering forces - 3 settings (Normal, City, Sport)		o		
High Performance Sound Multimedia and Connectivity, USB, Bluetooth® and 8 x loud speakers		o		
TECHNO PACK - T2, T3, D2, T4				
Headlamp cleaners			o	
Navigation system with RTTI and TMC			o	
Steering forces - 3 settings (Normal, City, Sport)			o	
PCC with Keyless Drive			o	
Active LED headlights - high level			o	
Park assist front and rear (swop for park pilot)			o	
18" Wheels - Narvi (swop for Tamesis, Spider, Midir, Segomo, standard wheel)			o	

	Kinetic	Momentum	Inscription	RDESIGN
TECHNO PACK - D3, D4, T5				
Heated front seats		o	o	
Digital combined instrument cluster with 8" TFT crystal display		o	●	
Headlamp cleaners		o	o	
Navigation system with RTTI and TMC		o	o	
Steering forces - 3 settings (Normal, City, Sport)		o	o	
Park assist front and rear (swop for park pilot)		o	o	
PCC with Keyless Drive		o	o	
Active LED headlights - high level		o	o	
Leather steering wheel with decor inlay, 3-spoke		o	●	
High Performance Sound Multimedia and Connectivity, USB, Bluetooth® and 8 x loud speakers		o	●	
PREMIUM PACK - T2, T3, D2				
Heated front seats	o			
Digital combined instrument cluster with 8" TFT crystal display	o			
Cruise control	o			
LED headlights - mid level	o			
Navigation system with RTTI and TMC	o			
Park assist front and rear (swop for park pilot)	o			
PCC with Keyless Drive	o			
Leather steering wheel with decor inlay, 3-spoke	o			
18" Wheels - Narvi (swop for Tamesis, Spider, Midir, Segomo, standard wheel)	o			
Steering forces - 3 settings (Normal, City, Sport)	o			
Premium Sound Multimedia and Connectivity, USB, Bluetooth® and 8 x loud speakers	o			
PREMIUM PACK - T2, T3, D2, T4				
Heated front seats		o		
Digital combined instrument cluster with 8" TFT crystal display		o		
Headlamp cleaners		o		
Navigation system with RTTI and TMC		o		
Park assist front and rear (swop for park pilot)		o		
PCC with Keyless Drive		o		
Active LED headlights - high level		o		
Leather steering wheel with decor inlay, 3-spoke		o		
18" Wheels - Narvi (swop for Tamesis, Spider, Midir, Segomo, standard wheel)		o		
Steering forces - 3 settings (Normal, City, Sport)		o		
Premium Sound Multimedia and Connectivity, USB, Bluetooth® and 8 x loud speakers		o		
PREMIUM PACK - T2, T3, D2, T4				
Heated front seats			o	
Headlamp cleaners			o	
Navigation system with RTTI and TMC			o	
Steering forces - 3 settings (Normal, City, Sport)			o	
PCC with Keyless Drive			o	
Active LED headlights - high level			o	
Park assist front and rear (swop for park pilot)			o	
18" Wheels - Narvi (swop for Tamesis, Spider, Midir, Segomo, standard wheel)			o	
Premium Sound Multimedia and Connectivity, USB, Bluetooth® and 8 x loud speakers			o	

	Kinetic	Momentum	Inscription	RDESIGN
PREMIUM PACK - D3, D4, T5				
Heated front seats		o	o	
Digital combined instrument cluster with 8" TFT crystal display		o	●	
Headlamp cleaners		o	o	
Navigation system with RTTI and TMC		o	o	
Steering forces - 3 settings (Normal, City, Sport)		o	o	
Park assist front and rear (swop for park pilot)		o	o	
PCC with Keyless Drive		o	o	
Active LED headlights - high level		o	o	
Leather steering wheel with decor inlay, 3-spoke		o	●	
Premium Sound Multimedia and Connectivity, USB, Bluetooth® and 8 x loud speakers		o	o	
R-DESIGN PLUS PACK				
Power passenger seat				o
Heated front seats				o
Headlamp washers				o
Lockable wheel nuts				o
PCC with Keyless Drive				o
Active LED headlights - high level				o
Park assist pilot + park assist, front and rear				o
Steering forces - 3 settings (Normal, City, Sport)				o
Interior lights package - high version				o
R-DESIGN PREMIUM PLUS PACK				
Power passenger seat				o
Heated front seats				o
Headlamp washers				o
Lockable wheel nuts				o
Navigation system with RTTI and TMC				o
PCC with Keyless Drive				o
Active LED headlights - high level				o
Park assist pilot + park assist, front and rear				o
Steering forces - 3 settings (Normal, City, Sport)				o
Interior lights package - high version				o
Premium Sound Multimedia and Connectivity, USB, Bluetooth® and 8 x loud speakers				o
DRIVER SUPPORT PACK				
BLIS (Blind Spot Information System)	o	o	o	o
LKA (Lane Keeping Aid) with driver alert system and				
AHB (Active High Beam)	o	o	o	o
Rear parking camera	o	o	o	o
ACC with collision warning and pedestrian detection system	o	o	o	o

● = standard; o = option; n/a = not available





POLESTAR POLESTAR ENGINEERED OPTIMIZATIONS.

Polestar engineers have taken a holistic approach to form a complete software solution that takes your driving to a new level. Five key functions have been optimized to provide faster response, better balance and more intuitive driving. This results in a car that responds quickly and predictably, which is important for those who engage in active driving, whether on the racetrack or on the road. This software upgrade is available through your local Retailer upon request.

Throttle Response

Throttle response has been recalibrated to provide improved feedback and accelerator reaction – ideal for overtaking or during active driving on a winding road.

Off Throttle Response

The engine and transmission have been calibrated to provide faster responses when the driver suddenly releases the throttle, providing improved predictability and control.

Gearshift Speed

Shift speed has been increased, allowing the car to accelerate faster and react more directly to driver input.

Gearshift Precision and Gear Hold

Shift points have been optimized to provide a more precise driving experience with faster acceleration. Gearshift points have been calibrated to utilize the optimized mid-range engine performance, while the gear hold function maintains the same gear when cornering with high lateral g-force.

Engine Performance

All Drive-E optimizations are made to provide greater performance in the engine's mid-range powerband – perfect for the sporty driver when overtaking, joining a highway or exiting a corner.

Engine	Transmission	Model Year	Original	Polestar	Difference
D4 Drive-E	8-Speed Geartronic	2019	140kW/400Nm	147kW/440Nm	+7kW/+40Nm

IN FINE DETAIL. The nuts and bolts of your Volvo V40. Whatever you need to know about your new car – be it fuel consumption, CO₂ emissions, top speed or boot space – you will find it here.

ENGINE	T2 Geartronic	T3 Geartronic	T4 Geartronic	T5 Geartronic	D2 Geartronic	D3 Geartronic	D4 Geartronic
Configuration	Transverse – 16 valve	Transverse 16 valve	Transverse – 16 valve	Transverse – 16 valve	Transverse – 16 valve	Transverse – 16 valve	Transverse – 16 valve
Cylinders	4	4	4	4	4	4	4
Engine capacity, cc	1498	1498	1969	1969	1969	1969	1969
Max. output ECE, kW rpm	90 5000	112 5000	140 4700	180 5500	88 3750	110 3750	140 4250
Max. torque ECE, Nm rpm	220 1600-3500	250 1700-4000	300 1300-4000	350 1500-4800	280 1500-2250	320 1750-3000	400 1750-2500
Octane rating	95 RON unleaded	95 RON unleaded	95 RON unleaded	95 RON unleaded	50ppm Diesel	50ppm Diesel	50ppm Diesel
Fuel system	Direct fuel injection	Direct fuel injection	Direct fuel injection	Direct fuel injection	Common rail direct injection	Common rail direct injection	Common rail direct injection
Compression ratio	10.5:1	10.5:1	11.3:1	10.8:1	16.0:1	16.0:1	15.8:1

PERFORMANCE	T2 Geartronic	T3 Geartronic	T4 Geartronic	T5 Geartronic	D2 Geartronic	D3 Geartronic	D4 Geartronic
Top speed km/h	190	210	210	240	190	210	230
Acceleration 0-100 km/h sec	9.8	8.3	6.9	6.3	10.5	8.4	7.2
Drag coefficient	0.29	0.29	0.29	0.29	0.29	0.29	0.29

FUEL CONSUMPTION*	T2 Geartronic	T3 Geartronic	T4 Geartronic	T5 Geartronic	D2 Geartronic	D3 Geartronic	D4 Geartronic
Urban l/100 km*	7.3	7.3	7.2	8.1	4.6	4.8	5.4
Extra Urban l/100 km*	4.6	4.6	4.7	5.1	3.8	3.9	4.0
Combined l/100 km*	5.6	5.6	5.6	6.1	4.1	4.2	4.5
CO ₂ g/km*	131	129	128	137	107	108	109
Fuel tank capacity (litres)	62	62	62	62	62	62	62

The results do not express or imply any guarantee of the fuel consumption of a particular car as there are inevitable differences between individual cars of the same model. Additionally, driving style, traffic conditions, as well as the age and mileage and standard of maintenance will affect a car's fuel consumption.

* All fuel consumption figures and CO₂ emissions are based on the New European Driving Cycle (NEDC) test procedure. This test procedure is designed to assess the emission levels of car engines and fuel economy in passenger cars.

* The results do not express or imply any guarantee of the fuel consumption of a particular car as there are inevitable differences between individual cars of the same model.

Additionally, driving style, traffic conditions, as well as the age and mileage and standard of maintenance will affect a car's fuel consumption.

* The weight of the vehicle will influence the level of CO₂ emitted. As a result, vehicles with higher levels of specification and factory fit options may emit higher levels of CO₂.

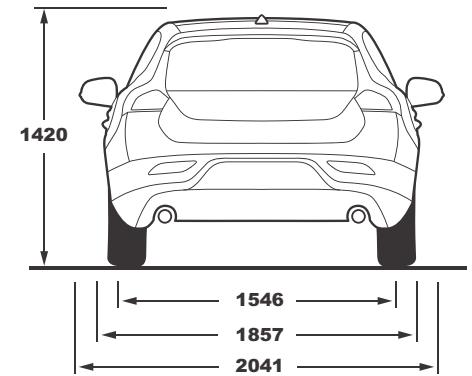
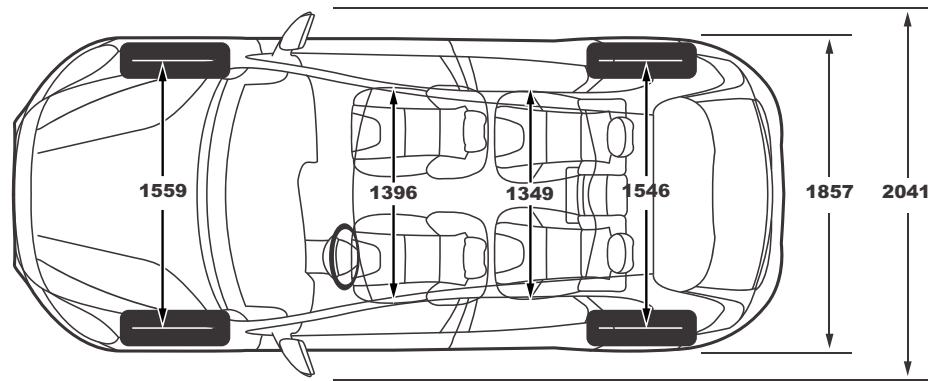
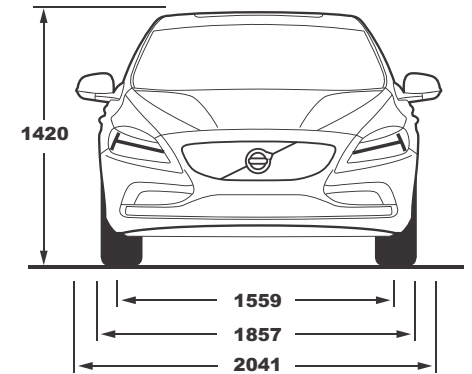
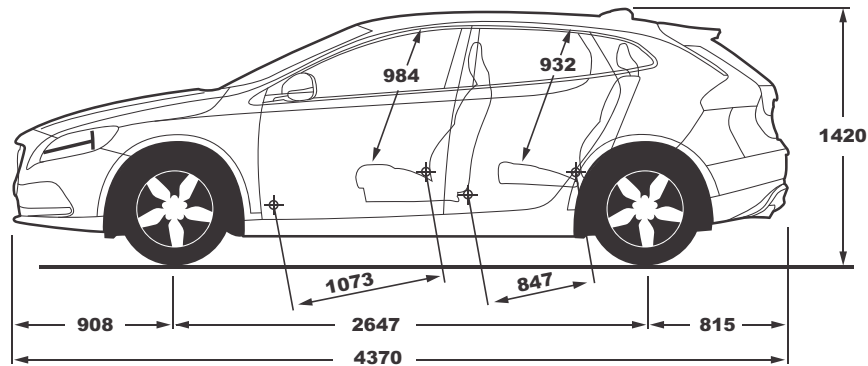
POWER STEERING SYSTEM	T2, T3, T4, D2	D3, D4, T5
Turning circle, m (rack and pinion)	10.8	11.7

LUGGAGE COMPARTMENT	ALL MODELS
Rear seats up - litres	335

TRANSMISSION	ALL MODELS
Geartronic (T2, T3, T4, D3)	6 speed
Geartronic (D4, T5)	8 speed

BRAKES	T2, T3, T4, D2	D3, D4, T5
Front disc diameter, mm	300	320
Rear disc diameter, mm	280	280

GROUND CLEARANCE	DYNAMIC CHASSIS	SPORT CHASSIS
At kerb weight (mm)	133	121



WEIGHT	T2 Geartronic	T3 Geartronic	T4 Geartronic	T5 Geartronic	D2 Geartronic	D3 Geartronic	D4 Geartronic
Min. kerb weight, kg (actual kerb weight dependent on spec.)	1423	1421	1428	1447	1464	1439	1474
Max. possible towing weight braked, kg	1500	1500	1500	1500	1500	1500	1500
Max. towing weight unbraked, kg**	700	700	700	700	700	700	700
Max. total weight, kg	1965	1965	1975	2000	1995	1995	2025
Max. roof load, kg	75	75	75	75	75	75	75

All measurements in mm.

** Unbraked towing weight must not exceed 50% of kerb weight up to a maximum of approximately 750 kg.

NB Some of the information in this brochure may not be correct due to product changes which may have occurred since it was printed. Some of the equipment described or shown may now be available only at extra cost. Before ordering, please ask your Volvo dealer for the latest information. The manufacturer reserves the right to make changes at any time, without notice, to colour, materials, specifications and models.



Finance



Finance

Volvo Car Roadside Assistance

In order to provide you with the best personal motoring services in the country we have partnered with one of the leading service providers in the industry, Tracker. Basic product offering (1 - 8) comes standard with your new Volvo for a period of 5 years / unlimited mileage.

Product Offering Standard Features:

1. Connected Roadside Assistance
2. Facilitated Medical Emergency Assistance
3. Assist button
4. Mileage monitoring
5. Free internet web positions
6. Electronic log book
7. Impact detection
8. Volvo Care Smartphone Application

With the option to subscribe to:

Proactive vehicle recovery – optional @ R199 / month*.

Should your personal details change, please contact Tracker, to update your information via **0800 MY VOLVO (0800 698 6586)**.

Ts&Cs: Tracker needs to complete their contracting process with you to activate the services. In order to provide any of the above services it is necessary for Volvo Car South Africa, Tracker and / or any of its third party business partners, to intercept and monitor data generated by the Tracker unit installed in the vehicle. The assist and recovery option is only available in South Africa.

* Reviewed and adjusted annually.

Volvo Car Financial Services

Volvo Car Financial Services has flexible financing options that enable you to structure your deal according to your specific requirements.

We want your experience of buying and owning a Volvo to be enjoyable and hassle-free. That is why we have developed the following online service tools:

- Online finance application – apply for finance any time of day or night and get an instant answer.
- Calculators – calculate your monthly repayments or calculate the value of a vehicle that you could buy based on a specified monthly repayment.
- Account services – manage your account in a secure and user-friendly online environment in real time.

So, remember to insist on Volvo Car Financial Services at your dealer or simply visit www.volvocars.com/za for more information.

Volvo Versatility Finance

For a tailor-made deal and guaranteed future value.

With best-in-class guaranteed future value across the entire Volvo range, it is a forward-thinking way to finance and future-proof your dream Volvo. When you reach the end of your finance period, you can renew, return or retain your Volvo. It is all up to you.

Flexibility today. Certainty tomorrow.

* Terms and conditions apply. As at time of print.



Car Insurance

Volvo Car Insurance

Peace of mind. Our idea of luxury.

A Volvo-personalised insurance scheme. Highly competitive comprehensive insurance premiums available on all Volvo models.

Ask your Volvo dealer for more information.

Underwritten by Guardrisk Insurance Company (PTY) LTD, FSP NO:75. Administered by Insurance Underwriting Managers (PTY) LTD, FSP NO:21820.

* Terms and conditions apply.

V O L V O

All models standard with a 5 year / 100 000km Volvo Plan.

NB Some of the information in this brochure may not be correct due to product changes which may have occurred since it was printed. Before ordering, please ask your Volvo dealer for the latest information. The manufacturer reserves the right to make changes at any time, without notice, to colour, materials, specifications and models. Issued June 2019.

VOLVOCARS.COM/ZA