

V O L V O

VOLVO XC60



INNOVATION FOR PEOPLE

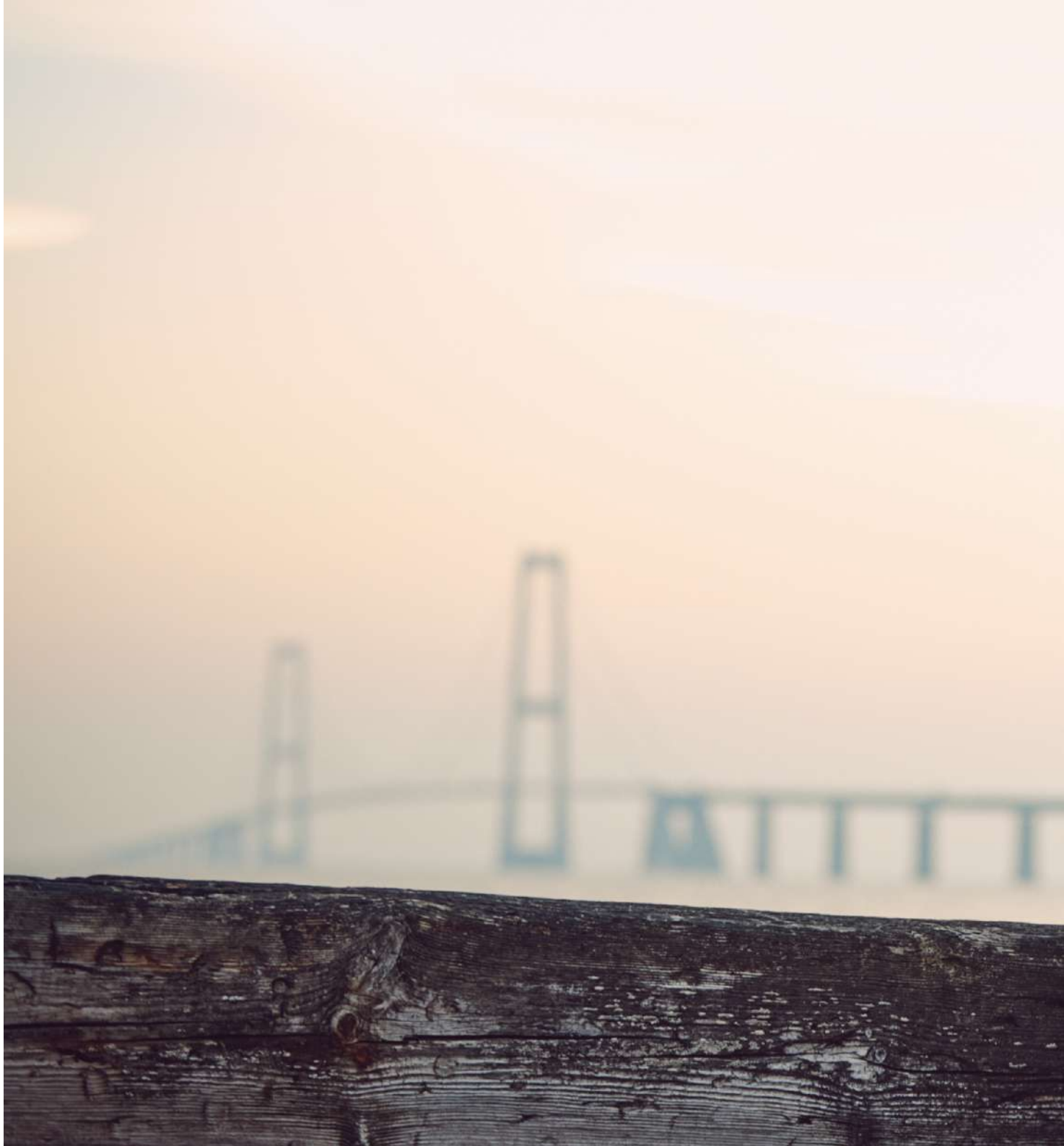
Made by Sweden.

At Volvo Cars, we continuously innovate in order to make your life better. Every car, every technology and every design is the result of a clear vision – to put people at the heart of everything we do. It is a vision that has driven us from the start, one informed by Sweden, a country that values people as individuals and where conventions are challenged. It is a culture with a rich design heritage and a unique way of looking at the world.

This vision has inspired us to create the likes of the three-point safety belt and side-impact airbags – inventions that have saved lives and changed automotive history. And with our new generation of cars we continue with this tradition. Scandinavian design combines with modern Swedish luxury to enrich your experience. Intuitive Sensus technology makes life less complicated and keeps you connected with the world, while the latest Drive-E powertrains balance responsive power with class-leading efficiency. And supporting you while you are driving, our IntelliSafe innovations make your journey more comfortable and enjoyable while helping to prevent accidents.

We understand what is important to people. It forms the basis of all the innovations that we create. Innovations that improve lives.

At Volvo Cars we design our cars around you.





In Sweden, we build SUVs differently. We start with the concept of designing around you – a car that must look beautiful, engage the driver and make itself useful. We create an exterior that mixes muscular dynamism with clean, elegant Scandinavian design. We find the perfect balance between comfort and control and use it to build the chassis. And we craft an interior from the finest Swedish materials, making sure it is full of natural light and packed with clever touches to make every day easier.

This is the result. The Volvo XC60. A car that is as good to drive as it is to look at, filled with our latest technology to deliver an experience that rewards and fulfils.

This is the dynamic Swedish SUV experience. Evolved.

*"One glance tells you this is a car that is ready
for whatever activity or adventure awaits."*

THE SCANDINAVIAN ATHLETE

*Refined strength, designed
in Sweden.*

With its dynamic, perfectly crafted, elegant exterior, the XC60 is an SUV that makes a strong visual statement.

Beautifully crafted details let you know that this is a Volvo. With its sharp creases and curves, the sculpted bonnet helps create an impression of strength and refinement. Large wheels and pronounced wheelarches express the car's athleticism and capability. One glance tells you this is a car that's ready for whatever activity or adventure awaits.

Full-LED headlights with distinctive T-shaped daytime running lights create an unmistakable impression, day or night, while rear lights that flow into the tailgate are a Volvo design cue that emphasise the car's strength.

From every angle the XC60 is the SUV with a unique Scandinavian attitude.







“Sensus is our way of enabling you to communicate instinctively with your car, and keep you connected with your digital world.”

YOU'RE IN CONTROL, NATURALLY.

SENSUS

Nothing rounds off a drive in your car better than luxuriating in the rich sound of your favourite piece of music. And our three sound systems – Premium Sound by Bowers & Wilkins, Harman / Kardon audio and High Performance Sound – turn any drive into a momentous experience.

Thanks to Sensus Connect, which is standard, you can stream your favourite tunes from your device to your car via Bluetooth®. You can also use your smartphone, WiFi tethering or the new P-sim (personal sim card slot) to connect your Volvo XC60 to the Internet. You can then browse the web and access a variety of internet radio and media apps.

With Sensus Navigation, you can view your route on the centre display with touch screen functionality. And with smartphone integration, you can use the centre display to access your smartphone as well. And if you would like to connect devices physically, USB-ports are provided as well.

“Relax and let your Volvo do the hard work for you.”

“Our Drive-E powertrains give you an exhilarating driving experience with smooth, instant response and a reduced environmental impact.”

COMMITTED TO SAFETY.

SUSTAINABLE DRIVING IS EXCITING.

INTELLISAFE

Since the birth of Volvo Cars in 1927, keeping you safe has been part of our DNA. We have pioneered safety advances and invented life-saving technologies, such as the three-point safety belt. We have also equipped all of our cars with safety cages and laminated windscreens since 1944. In 1976, we developed the catalytic converter and the lambda sond, a sensor that monitors exhaust gas, reducing emissions and boosting performance as well as economy.

Today, we are building cars that actively scan the area around you, looking out for the unexpected. Volvo pioneered City Safety, a collision avoidance technology that helps prevent collisions even up to highway speeds. We were the world's first car manufacturer to include this feature as standard equipment in all new models.

We also developed Pedestrian Detection, a system that detects pedestrians and brakes the car when necessary, and we will not stop there. Cyclist Detection and Large Animal Detection are recent additions to the system.

Tracker Connect provides access to roadside assistance and emergency support at the touch of a button. In the future, our aim is to design cars that will prevent collisions with other road users altogether.

DRIVE-E

At the heart of every Volvo we make is our approach to sustainable driving and innovative thinking. We offer a range of technologies that give you greater efficiency and lower running costs.

Our Drive-E powertrains combine the low fuel consumption and emissions of a four cylinder engine with the performance of a six or eight cylinder engine. The result is a smooth, powerful drive, with fewer stops at the pumps.

We also offer an interior Air Quality System that checks incoming air for pollutants and closes the vents when necessary – we call this CleanZone. An active carbon filter helps protect you from harmful gases and unpleasant odors, so you can breathe happy and healthy.

At Volvo Cars, we always strive to make our manufacturing process sustainable. All of the electricity for our factories in Sweden and Belgium comes from clean hydro-electric or wind power. Environmentally-aware mobility is central to our philosophy of intelligent, thoughtful luxury.

RDESIGN



INSPIRED BY THE ART OF DRIVING

If you love to drive, the XC60 R-Design is for you. With a unique personality, R-Design captures the thrill of a spirited driving experience characterised by style, responsiveness and control. A wealth of distinguished design details raises the dynamic soul of your Volvo and gives it a sportier, more distinct road presence. It's an expression that catches the eye from every angle and hints at the promise of an amazing drive, every time. And you can rest assured that the XC60 R-Design will

deliver. Surrounded by meticulously crafted and expressive interior design details, you can feel it right from the moment you take your position in the sculpted R-Design driver seat. Everything – from the R-Design steering wheel to the Charcoal headliner – is there to inspire and support your driving. And for an even more energetic, road-hugging drive, the XC60 R-Design benefits from an advanced sport chassis.



Exterior

19" alloy wheel | Door mirror caps in sporty black finish | Dual integrated end pipes | Lower front, unique sporty design | Grille with unique mesh in glossy black and frame in silk metal finish | Lower outer grilles, unique design and glossy black | Side window trim in glossy black finish | Body-coloured rear lower insert | Sport chassis.

Interior

12" driver display | Charcoal interior and upholstery with light contrast stitching | Contour Sport seats | Sport leather / Open Grid Textile upholstery | Charcoal headlining | Metal Mesh Aluminium decor inlays | Cushion extension mechanical, driver and passenger seat | Gearshifter knob in leather with chrome inlay | Gaiter with light contrast stitching | Remote control clad in leather | Textile mats with light contrast stitching | Sport pedals in aluminium with rubber inserts | Sport steering wheel | Net pocket on tunnel.

VOLVO ON CALL

The key to your digital world.

ALWAYS THERE WHEN YOU NEED IT

WARMS UP THE CAR *(or cools it down)*

KNOWS THE BEST RESTAURANTS *(and shows you the way)*

CALLS ROADSIDE ASSISTANCE *(and tells them where you are)*

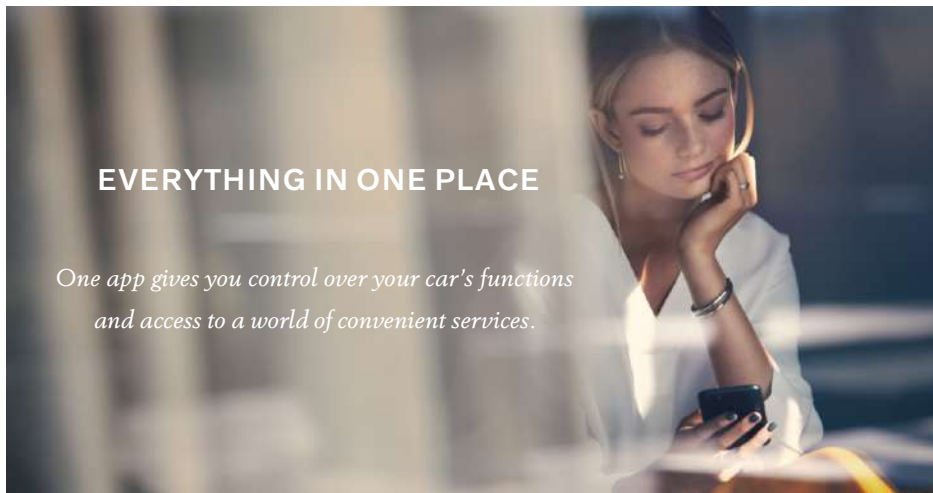
With Volvo On Call, your car becomes more than just a means of travel – it is your personal assistant. It can tell you about the best coffee in town and send the destination to your car's navigation system. It knows when you have got appointments, where they are and how to get there. You can use it to make your car ready for the drive to the office, or the drive home, by remotely

cooling or heating the cabin. It helps to keep you safe, automatically contacting the emergency services if you are involved in an accident and telling them where you are. Volvo On Call keeps you connected to the things you need. It is always on. Always with you. Always there.



EVERYTHING IN ONE PLACE

*One app gives you control over your car's functions
and access to a world of convenient services.*



WARM WHEN IT'S COLD, COOL WHEN IT'S HOT

With remote climate control you should never need to wear a coat in the car again.

In Volvo cars from Model Year 2020, Volvo On Call can start the engine remotely so you can heat or cool the cabin. It is as easy as sending a text. Just select how long you want the engine to run for, confirm with your finger print or enter your Volvo ID password and the car will start.

Cars started using remote start cannot be driven – the engine has to be started with the key first.

Own a Volvo plug-in hybrid? Then you can use the car's system to heat and cool the car without needing to start the engine. We call it pre-conditioning. Tell the app when you want the car to be at the desired temperature and it will take care of starting the climate control at the right time.

YOUR DAY MADE EASIER WITH VOLVO ON CALL

From saving you time in the morning to helping you relax on the way home, Volvo On Call can be an indispensable part of your daily routine.



THE PERFECT START

When you get into the car in the morning it is warm and defrosted, thanks to the Volvo On Call app's ability to precondition the cabin. En route, you press the On Call button in the car and ask the operator to send your destination to the car's navigation system, so you do not have to manually enter it.

07.30



FIND YOUR CAR

You have forgotten where you parked, so you use the car locator map to find the street and then use the flash lights function to pinpoint the car.

12.00



FIND A RESTAURANT

You head for home, not feeling for making dinner. The Volvo On Call operator knows where to go and sends the destination to your car's navigation system within seconds.

17.45



READY FOR A NEW DAY

A notification reminds you that you have a meeting in the morning. You send the location to the Sensus Navigation system and set the timer to precondition the cabin before you leave.

FINDS AND LOCKS YOUR CAR



If you forget to lock your car, the app will tell you and you can lock it remotely. You can also check the door lock status and unlock it too, making it possible to give anyone access to the car's interior. And you can do all of this wherever you are in the world.

Forgotten where you parked your Volvo? The built-in map in Volvo On Call will show you where your car is, give you directions to it and you can flash its lights from the app when you get near it.



VOLVO ON CALL KEEPS YOU IN THE KNOW WHEREVER YOU GO

With Volvo On Call aboard, you can experience the relief of having instant knowledge and personal support with the touch of a button. For example, if you are driving in heavy traffic looking for a nice restaurant, just press the On Call button in the car to get in touch with a Volvo On Call operator. Tell the operator what you are looking for, and in seconds your Sensus navigation system starts to guide you to the location.

Maybe you want to call somebody but do not know the number? Press the button, and the Volvo On Call operator will send you the number or connect you instantly.

In fact, Volvo On Call is like having a personal assistant by your side, 24/7.

CONNECTED TO THE WORLD

The Volvo On Call modem maintains a strong internet connection, giving you in-car wifi and hassle-free use of all in-car-apps wherever you go.



You can always connect your Volvo to the internet and access the in-car apps by creating a connection via your own mobile phone. With Volvo On Call, you can enjoy an even stronger, more reliable connection and the possibility of creating an in-car wifi hotspot. This is made possible by the Volvo On Call car modem and an additional SIM-card.

A reliable, strong signal

Your 4G* signal is strong and consistent because you are using the Volvo On Call roof aerial, making it easy and quick to use the internet. Where a phone would struggle with finding a signal in the car, the system in your Volvo can often work much better.

**Network dependant.*

Saves battery life

Using the Volvo On Call modem in your car to connect to the internet, means you do not drain the batteries of your portable devices, so they are ready to use when you really need them.

Streaming on the move

The strong signal means streaming music and films is quick and reliable, helping to prevent significant buffering or loss of data.

Wifi hotspot inside the car

Volvo On Call turns your car into a wifi hotspot, with the capacity to connect up to eight devices. So everyone in the car gets to use wifi, using their own device.

"HELLO. THIS IS THE VOLVO ON CALL OPERATOR. WE HAVE FOUND YOUR LOCATION AND WE ARE SENDING HELP."

In the case of an emergency, Volvo On Call is there to help make it better – 24 hours a day, seven days a week, 365 days a year.

With trained operators always on call, if something goes wrong you will get help straight away. Emergency assistance and access to roadside assistance are included in Volvo On Call, so you will get exactly the help you need – whether you were involved in an accident or a tyre punctured.

The GPS capability of Volvo On Call means the operators at the service centre can pinpoint your exact location. Even if you do not know where you are, the emergency services will.



Emergency services

In an emergency, press the SOS button and you are instantly connected to the Volvo On Call operator. They will send help (they will know where you are without you having to tell them) and stay with you until help arrives. It is like having a guardian angel sit next to you in the passenger seat.

Roadside assistance

Your on-demand breakdown service, ready to send assistance when you need help. Press the On Call button in your car or use the app to contact the service centre. An operator will find your position and send help.

Crash notification

If an airbag goes off or the safety belt pre-tensioners are activated – both of which will only happen if your car is involved in an accident – the car will automatically alert a Volvo On Call operator. They will then call you to find out what has happened. If they cannot reach you by phone, they will automatically send the emergency services to your location.

GETTING STARTED

Getting started with Volvo On Call is very straightforward and the app is simple to use.

Create and register a Volvo ID

You have to create a Volvo ID which you then register to your car in order to be able to access all connected services. This article describes how to create and register a Volvo ID to your car.

Create a personal Volvo ID

To create a Volvo ID, you must register an e-mail address and follow the instructions in the confirmation message sent to you. You can create a Volvo ID in the following ways:

- Via your Volvo
- Via the Volvo On Call app.
- Via www.volvocars.com/za/support
- Via your Volvo dealer who can help you to create a Volvo ID on request.

When you have created a Volvo ID you need to connect the Volvo On Call app to your car. Read more on www.volvocars.com/za/support

Can I try it out?

Yes – and you do not even need to own a Volvo. You can download the app for free and try it in demo mode, which gives you access to most of the app's functions.

What does it cost?

Volvo on Call is included in the new vehicle price covering all of its functions. Stolen vehicle recovery requires a separate subscription @ R199 p/month through Tracker. Costs related to the additional SIM-card are not included. New cars come with a five year subscription, after which it can be extended for a small fee. The cost varies according to the country you are in, so talk to your Volvo dealer to find out more.

How do I get Volvo On Call?

When you order your new Volvo, access to Volvo On Call comes as a standard feature from Model Year 2020. While you are waiting for the car to be delivered, download the app and try the demo version. When you collect your new car, the dealer activates Volvo On Call and you get a Volvo On Call PIN. This gives you access to the app and will control some of the app's services.

What devices can I use it on?

Volvo On Call is available for your smartphone, smart-watch, tablet and desktop.

Please note: Using the Volvo On Call app requires your car to be factory-equipped with Volvo On Call, model year 2020 and later. Depending on the model of your Volvo, there may be variations of the features available. Some of the functions and services are depending on mobile phone coverage and internet access, and may not be available in some markets.

* For more information and detailed compatibility please visit support.volvocars.com



HOME

This is the starting page for everything you can do with Volvo On Call. From here you can find shortcuts to control the car's cabin temperature, start it remotely, lock and unlock it or find details of your recent trips.



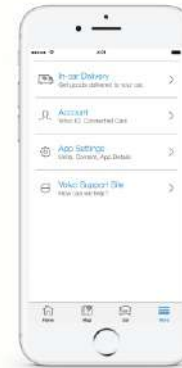
MAP

Volvo On Call's map lets you know where your car is, tells you where you are and allows you to search for destinations that you can send to the car's navigation. And, if you cannot find your car in a car park, it can flash the lights and sound the horn. You can even use it to keep an eye on traffic conditions.



CAR

The Car screen keeps you up to date with your car's vital statistics and allows you to book a service. It is also where you can remotely check the status of items such as tyre pressure and washer and brake fluid levels. You can also keep a detailed record of your journeys using the Driving Journal.



MORE

On this screen, you can adjust the app's settings and if you need extra help, you can connect to the Volvo Support Site from here, too.



DRIVING JOURNAL

When this feature is enabled, each journey is automatically logged for 100 days, with data on where you have been, how long it took and how much fuel you used. The driving journal can be exported from the app to your email.



REMOTE START

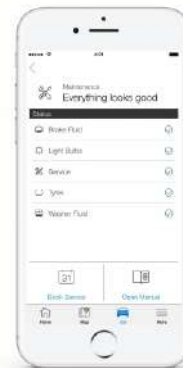
Volvo On Call can start your engine remotely*, so you can cool down or warm up the cabin. Just choose how long you want the engine to run for and enter your Volvo ID password (it also works with Touch ID on Apple iPhone®).

* Automatic transmissions only.



DOORS AND LOCKS

The Volvo On Call app will check on the lock status of your car and, if any of the doors are unlocked, can lock them remotely. You can also unlock the car – no matter where you are – if you need to give access to a family member, for example.



MAINTENANCE

Monitor the health of your car. As long as all temperatures, pressures and fluids are within operating range, and the next service is not overdue, the app will display the message 'everything looks good'.



FUEL RANGE

Shows you how far you can travel on the remaining fuel in the tank, and your average fuel consumption.



CREATE THE SWEDISH SUV OF YOUR CHOICE.

Our approach in everything we do is to always put people first. This includes allowing you the freedom to create a Volvo that perfectly matches your style and personality.

To ensure you get your new XC60 exactly as you want it, we have created a range of options, trim levels and personal expressions.

Your XC60 is generously equipped already in the standard

Momentum trim level, providing you with everything you need for inspired travelling. Maybe you want to indulge your senses in the finest Swedish luxury? Then you will feel at home with Inscription. Or if you prefer a more sporty style inside and out – take a look at R-Design. Whatever your choice, you can rest assured there is a Volvo XC60 for you. Read on, and see what your new XC60 will look like.



VOLVO XC60 MOMENTUM

The high level of standard equipment meets your demands on style, comfort, safety and sophisticated design.



VOLVO XC60 INSCRIPTION

The highly sophisticated expression of Swedish luxury.



VOLVO XC60 R-DESIGN

The thrill of a spirited drive, characterised by style, responsiveness and control.

COLOUR YOUR VOLVO. When it comes to the appearance of your Volvo, the choice of exterior colour and wheels are probably your most important design decisions. For more exterior styling options and to build your new Volvo online, please visit www.volvocars.com/za and go to Build your Volvo.



614 Ice White
solid (i)



707 Crystal White
pearl metallic (i)



711 Bright Silver
metallic (i)



714 Osmium Grey
metallic (i)



717 Onyx Black
metallic (i)



719 Luminous Sand
metallic



720 Bursting Blue
metallic (ii)



722 Maple Brown
metallic



723 Denim Blue
metallic



724 Pine Grey
metallic

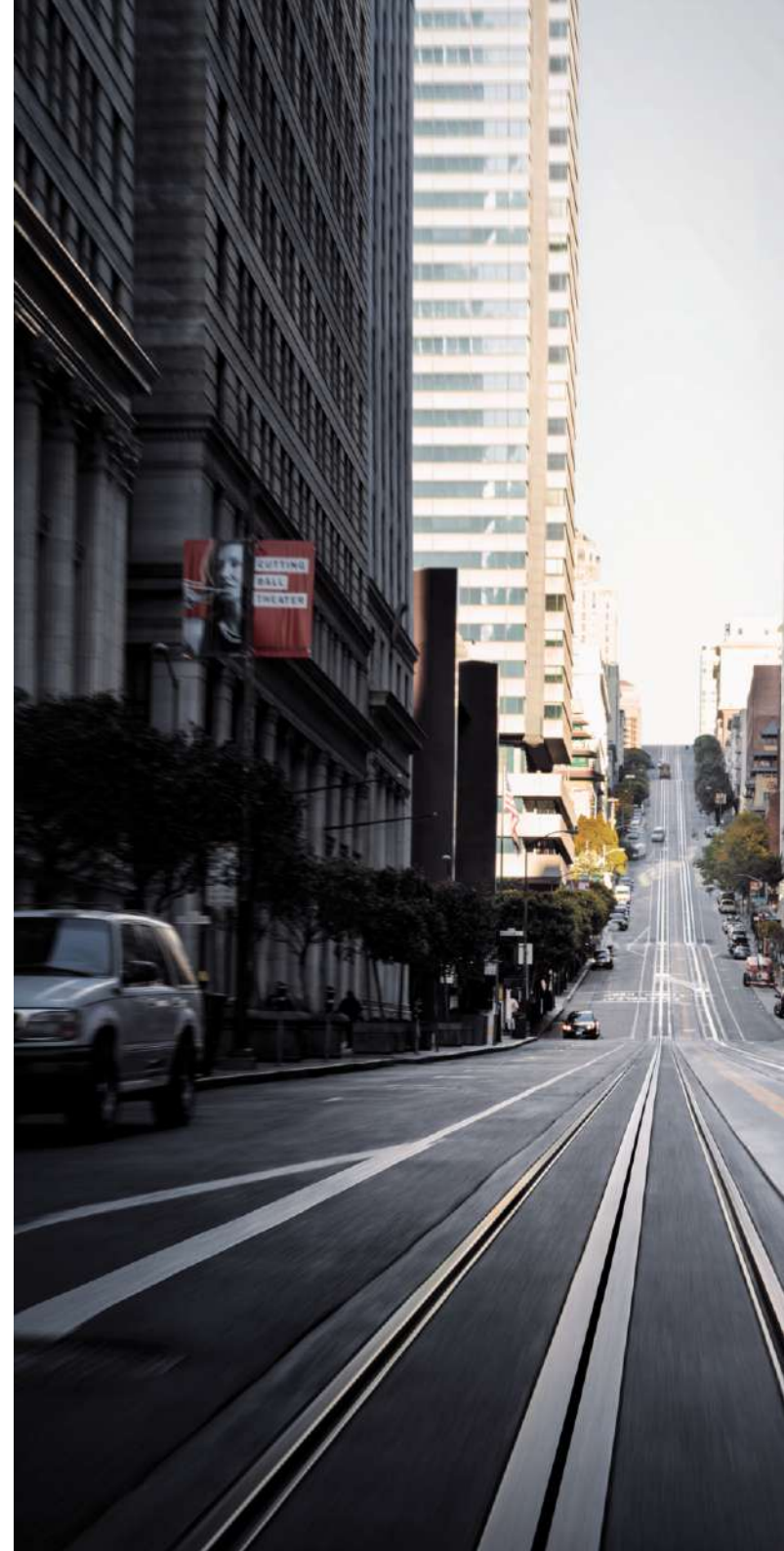


725 Fusion Red
metallic (i)

(i) Also available for  (ii)  only

Please note: It is not possible to reproduce exact original shades in printed matter. Please ask your dealer to show you samples.

CLEAN COLOURS. To reduce usage of environmentally hazardous solvents all Volvo exterior colours are water-based. What is more, our painting facilities are among the cleanest in the world.





EXTERIOR DESIGN. XC60 Alloy wheels.

DC: Diamond Cut



18" 5-Y-spoke silver alloy wheel



18" 5-Double spoke black DC alloy wheel



19" 10-Spoke black DC alloy wheel



19" 5-Double spoke black DC alloy wheel



19" 5-Double spoke matt black DC alloy wheel (R-Design only)



20" 5-Double spoke tech grey DC alloy wheel



20" 8-Spoke black DC alloy wheel



21" 5-Triple spoke matt black DC alloy wheel (R-Design only)



22" 10-Open spoke matt black DC alloy wheel (accessory wheel)



22" 5-Double spoke matt black DC alloy wheel (accessory wheel)

BESPOKE TAILORING FROM VOLVO. The finest fabrics, superb stitching and exacting attention to detail – whichever interior you choose for your Volvo XC60, you will be surrounded by luxury. How will you tailor yours?

NB: It is not possible to reproduce exact original shades in printed matter.



RA00



RA30



UA00



RC00



RC20



RC30



RC40



UC00



RG0R (R-DESIGN)



RGAR (R-DESIGN)



RC00 (R-DESIGN)

Code	Description	Interior colour	Upholstery colour	Dashboard top	Door panel, lower dashboard, & upper tunnel console	Carpet & lower tunnel console	Door panel insert colour	Headliner colour
Leather upholstery - Comfort seats								
RA00	Leather	Charcoal	Charcoal	Charcoal	Charcoal	Charcoal	Charcoal	Blond
RA30	Leather	Charcoal	Maroon Brown	Charcoal	Charcoal	Charcoal	Charcoal	Charcoal
UA00	Leather	Blond	Blond	Charcoal	Blond	Charcoal	Blond	Blond
Nappa Perforated & Ventilated Soft Leather - Comfort seats								
RC00	Perforated Nappa Leather	Charcoal	Charcoal	Charcoal	Charcoal	Charcoal	Charcoal	Blond
RC20	Perforated Nappa Leather	Charcoal	Amber	Charcoal	Charcoal	Charcoal	Charcoal	Charcoal
RC30	Perforated Nappa Leather	Charcoal	Maroon Brown	Charcoal	Charcoal	Charcoal	Charcoal	Charcoal
RC40	Perforated Nappa Leather	Charcoal	Blond	Charcoal	Charcoal	Charcoal	Blond	Charcoal
UC00	Perforated Nappa Leather	Blond	Blond	Charcoal	Blond	Charcoal	Blond	Blond
R-Design Upholstery								
RG0R	Leather / Open Grid Textile	Charcoal	Charcoal	Charcoal	Charcoal	Charcoal	Dark Open Grid	Charcoal
RGAR	Leather / Open Grid Textile	Charcoal	Slate Grey	Charcoal	Charcoal	Charcoal	Light Open Grid	Charcoal
RC00	Perforated Nappa Leather	Charcoal	Charcoal	Charcoal	Charcoal	Charcoal	Charcoal	Charcoal





INTERIOR DETAILS. A selection of premium materials to complement your interior upholstery.



3-Spoke leather steering wheel,
Charcoal switches



3-Spoke leather steering wheel,
glossy black switches



3-Spoke leather sport
steering wheel



Leather gear knob with
chrome inlay



R-Design leather gear knob with
chrome inlay



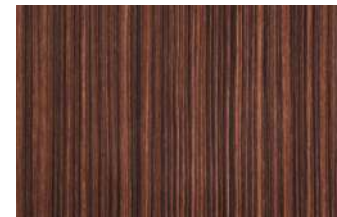
Iron Ore Aluminium decor inlay



Driftwood decor inlay



Metal Mesh decor inlay



Linear Lime Walnut decor inlay






THE RIGHT EQUIPMENT. It is essential that your Volvo comes equipped with everything you need. Below you will find standard equipment for each model variant, plus optional equipment to personalise your Volvo XC60. And as you would expect, there is an array of industry-leading, cutting edge safety innovations.

STANDARD EQUIPMENT – SAFETY AND SECURITY	Momentum	Inscription	R-DESIGN
City Safety (includes pedestrian, cyclist and large animal detection and front collision warning with full auto brake)	•	•	•
Cruise Control	•	•	•
(DAC) Driver Alert Control with (LKA) Lane Keeping Aid	•	•	•
(IDIS) Intelligent Driver Information System	•	•	•
(RSI) Road Sign Information display	•	•	•
Dual stage driver and passenger airbags	•	•	•
Passenger airbag cut-off switch	•	•	•
SIPS (Side Impact Protection System)	•	•	•
SIPS airbags (front seats)	•	•	•
Inflatable curtains - full length	•	•	•
Whiplash protection system (front seats)	•	•	•
Seatbelt reminders - all seats	•	•	•
Seatbelt pre-tensioners - all seats	•	•	•
Vehicle deceleration control (includes anti-lock brake system, electronic brake distribution and emergency brake assist)	•	•	•
Stability and traction control (includes spin control, engine drag control and corner traction control)	•	•	•
ISOFIX attachments (2nd row outer seats)	•	•	•
Hill start assist	•	•	•
Hill descent control	•	•	•
Anti-theft alarm including immobiliser, volume sensor and level sensor	•	•	•
Integrated remote control central locking and auto open/close power windows and sunroof	•	•	•
Key remote control with keyless entry	•	•	•
Two step door unlocking	•	•	•
Private locking	•	•	•
Power child locks (rear doors)	•	•	•
Central lock switch with diode in front doors	•	•	•
Volvo on Call	•	•	•
Telematics unit with P-sim slot	•	•	•
Visible VIN plate	•	•	•
Home safe and approach lighting	•	•	•
LED daytime running lights	•	•	•
Warning triangle	•	•	•
Laminated side and rear windows	•	•	•
(iTPMS) Indirect Tyre Pressure Monitoring System	•	•	•
Luggage compartment load cover	•	•	•





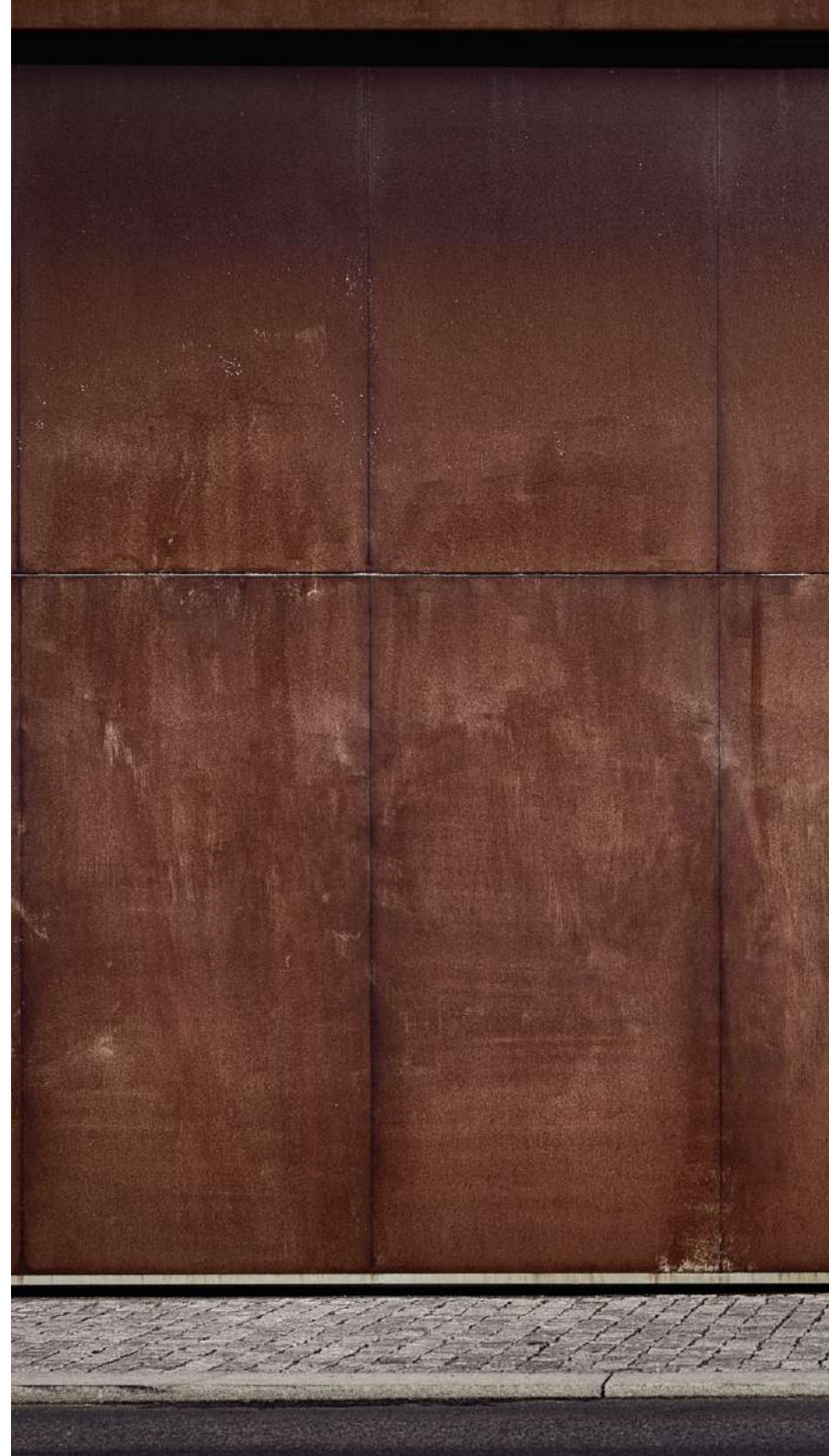
STANDARD EQUIPMENT – EXTERIOR

	Momentum	Inscription	R-DESIGN
Bright integrated roof rails	•	•	
Front grille Piano black (standard on Momentum)	•		
Inscription front grille		•	
Bright decor around side windows	•	•	
Fully colour adapted sills and bumpers (standard on Momentum and R-Design)	•		•
Fully colour adapted sills and bumpers with bright side decor		•	
Colour coordinated door handles with illumination and puddle lights	•	•	•
Inscription bright chrome element exterior rear		•	
Dual visible exhaust tail pipes with chrome sleeves (Momentum only)	•		
Dual integrated exhaust tail pipes (standard on Inscription and R-Design)		•	•
Colour coordinated mirror covers	•	•	
Retractable side mirrors	•	•	•
Rain sensor	•	•	•
Windscreen washer nozzles - not heated	•	•	•
LED headlights - mid level	•	•	•
Front LED fog lights		•	•
Adaptive brake lights including high level LED brake light	•	•	•
Power operated tailgate	•	•	•
Park assist - front and rear	•	•	•
Rear parking camera	•	•	•
18" Y-Spoke silver alloy wheels - 235/60R18 (standard on Momentum)	•		
19" 10-Spoke black diamond cut alloy wheels (standard on Inscription)		•	
19" 5-Double spoke matt black diamond cut alloy wheels (R-Design)			•
Tempa spare wheel and jack kit	•	•	•
 Glossy black mesh front grille with silk metal surround			•
 Glossy black decor around side windows			•
 Glossy black stripe on rear bumper			•
 Black side mirror covers			•
 Glossy black integrated roof rails			•

STANDARD EQUIPMENT – INTERIOR

	Momentum	Inscription	R-DESIGN
Leather upholstery (Momentum)	•		
Nappa soft perforated and ventilated leather comfort seats (Inscription)		•	
Sport Leather / Open Grid Textile upholstery (R-Design)			•
Metal Mesh decor inlay (R-Design)			•
12,3 inch digital instrument cluster	•	•	•
Net pocket on tunnel console	•	•	•
Front and rear power windows	•	•	•
Personal settings, power steering	•	•	•
Drive mode settings	•	•	•

STANDARD EQUIPMENT – INTERIOR Continued	Momentum	Inscription	RDESIGN
Power driver seat with electric lumbar support and memory for seat and side mirrors	•	•	•
Mechanical passenger seat with tilt function and power height adjustment	•		•
Heated front seats	•	•	•
Power passenger seat with power height adjustment and electric lumbar support (includes memory function)		•	
Cushion extensions - front seats		•	•
Power adjustable side support (Inscription)		•	
Manually foldable rear seats (60/40 split)	•	•	•
Power folding rear headrests	•	•	•
2nd row centre armrest with storage and cup holders	•	•	•
Interior illumination - mid level (Momentum)	•		
Interior illumination - high level (Inscription and R-Design)		•	•
Illuminated vanity mirrors in sunvisor LH / RH side	•	•	•
3-Spoke leather steering wheel with decor inlay (Charcoal switches)	•		
3-Spoke leather steering wheel with decor inlay (Glossy black switches)		•	
Tailored dashboard		•	•
Leather gear lever knob with chrome inlay	•	•	
Standard pedals	•	•	
Automatically dimmed interior mirror and exterior mirrors	•	•	•
Carpet kit	•	•	
Sill moulding Volvo metal	•	•	•
Two-Zone electronic climate control with 'CleanZone' air quality system and pollen filter	•	•	•
Lockable glove box compartment with illumination	•	•	•
Humidity sensor	•	•	•
B-Pillar ventilation	•	•	•
Semi-automatic load cover	•	•	•
Soft load net in bag	•	•	•
Luggage compartment illumination	•	•	•
Metal scuff plate - cargo opening	•	•	•
12V socket (front and luggage area)	•	•	•
High performance audio system (2 x USB ports and Bluetooth®)	•	•	•
Remote control buttons on steering wheel	•	•	•
Navigation - Pro	•	•	•
RDESIGN Steering wheel with leather, 3-spoke			•
RDESIGN Leather gear knob with chrome inlays			•
RDESIGN Pedals			•
RDESIGN Carpet kit			•
RDESIGN Key remote control, leather clad			•
RDESIGN Charcoal headliner			•





*** OPTIONAL EQUIPMENT - SAFETY AND SECURITY**

	Momentum	Inscription	R-DESIGN
Adaptive cruise control and pilot assist	o	o	o
Graphical head-up display	o	o	o
(BLIS) Blind Spot Information System with (CTA) Cross Traffic Alert collision warning and mitigation support, rear	o	o	o
360° camera	o	o	o

*** OPTIONAL EQUIPMENT - INTERIOR**

	Momentum	Inscription	R-DESIGN
4-Zone electronic climate control	o	o	o
Cushion extensions - front seats	o	●	●
Backrest massage function, front seats		o	o
4-Way power adjustable lumbar support	o	●	●
Memory function - passenger seat	o	●	o
Heated rear seat	o	o	o
Heated windscreen	o	o	o
Child booster seats	o	o	o
Harman / Kardon branded audio system	o	o	o
Premium sound by Bowers and Wilkins	n/a	o	o
Inductive charging for smartphones	o	o	o
Apple CarPlay and Android Auto	o	o	o

*** OPTIONAL EQUIPMENT - EXTERIOR**

	Momentum	Inscription	R-DESIGN
Metallic paint	o	o	o
Panoramic sunroof	o	o	o
Tinted windows, rear side doors and cargo area	o	o	o
Park pilot including park assist - front and rear	o	o	o
18" 5-Double spoke black diamond cut alloy wheel (only on Momentum)	o	n/a	n/a
19" 5-Double spoke black diamond cut alloy wheel (Momentum)	o	n/a	n/a
20" 5-Double spoke tech grey diamond cut alloy wheel	o	o	n/a
20" 8-Spoke black diamond cut alloy wheel (Inscription)	n/a	o	n/a
21" 5-Triple spoke matt black diamond cut alloy wheel (R-Design)	n/a	n/a	o
22" 10-Open spoke black matt diamond cut alloy wheel (Accessory wheel)	o	o	o
22" 5-Double spoke matt black diamond cut alloy wheel (Accessory wheel)	o	o	o
Air suspension, 4-corner and Four-C chassis	o	o	o

● = standard; o = option; n/a = not available * Fitted at factory





	Momentum	Inscription	RDESIGN
XC60 CAR PROTECTION PACK			
Shaped plastic load compartment mat, Charcoal	o	o	o
Bumper protection, rear	o	o	o
Mats, passenger compartment floor, moulded plastic, Charcoal	o	o	o
XC60 SEAT PACK			
Power adjustable passenger seat	o	•	o
With memory, passenger seat	o	•	o
Seat cushion extensions	o	•	•
XC60 LIGHT PACK			
Fog lights in front, cornering lights if full LED bending lights	o	•	•
Headlight high pressure cleaning system	o	o	o
LED headlights high level with active bending, cornering fog lights	o	o	o
Interior illumination - high level	o	•	•
XC60 CLIMATE PACK			
Heated windscreen washer nozzles (wet arms)	o	o	o
Heated rear seat (swop for child booster seats)	o	o	o
Heated steering wheel	o	o	o
XC60 PARK ASSIST PACK			
360° camera	o	o	o
Park assist pilot + park assist front and rear	o	o	o
XC60 LOUNGE PACK			
4-zone electronic climate control including cooled glove box	o	o	o
Power panoramic sunroof	o	o	o
Graphical head-up display (swop for heated windscreen)	o	o	o
360° camera	o	o	o
Park assist pilot + park assist front and rear	o	o	o
Smartphone integration with USB HUB (iPhone and Android)	o	o	o
Harman Kardon premium sound (swop for Bowers & Wilkins audio)	o	o	o
XC60 TECH & PARK ASSIST PACK			
360° camera	o	o	o
Park assist pilot + park assist front and rear	o	o	o
Smartphone integration with USB HUB (iPhone and Android)	o	o	o
Harman Kardon premium sound	o	o	o
XC60 DRIVER ASSIST PACK			
Adaptive cruise control + pilot assist	o	o	o
Blind spot information system with cross traffic alert	o	o	o

o = option; s = standard; n/a = not available



POLESTAR POLESTAR ENGINEERED OPTIMIZATIONS.

Polestar engineers have taken a holistic approach to form a complete software solution that takes your driving to a new level. Five key functions have been optimized to provide faster response, better balance and more intuitive driving. This results in a car that responds quickly and predictably, which is important for those who engage in active driving, whether on the racetrack or on the road. This software upgrade is available through your local Retailer upon request.

Throttle Response

Throttle response has been recalibrated to provide improved feedback and accelerator reaction – ideal for overtaking or during active driving on a winding road.

Off Throttle Response

The engine and transmission have been calibrated to provide faster responses when the driver suddenly releases the throttle, providing improved predictability and control.

Gearshift Speed

Shift speed has been increased, allowing the car to accelerate faster and react more directly to driver input.

Gearshift Precision and Gear Hold

Shift points have been optimized to provide a more precise driving experience with faster acceleration. Gearshift points have been calibrated to utilize the optimized mid-range engine performance, while the gear hold function maintains the same gear when cornering with high lateral g-force.

Engine Performance

All Drive-E optimizations are made to provide greater performance in the engine's mid-range powerband – perfect for the sporty driver when overtaking, joining a highway or exiting a corner.

Engine	Transmission	Model Year	Original	Polestar	Difference
D4 Drive-E	8-Speed Geartronic	2021	140kW / 400Nm	147kW / 440Nm	+7kW / +40Nm
D5 Drive-E	8-Speed Geartronic	2021	173kW / 480Nm	177kW / 500Nm	+4kW / +20Nm
T5 Drive-E	8-Speed Geartronic	2021	187kW / 350Nm	192kW / 400Nm	+5kW / +50Nm
T6 Drive-E	8-Speed Geartronic	2021	235kW / 400Nm	246kW / 440Nm	+11kW / +40Nm

IN FINE DETAIL. The nuts and bolts of your Volvo XC60. Whatever you need to know about your new car – be it fuel consumption, CO₂ emissions, top speed or boot space – you will find it here.

ENGINE		D4 Geartronic AWD	T5 Geartronic AWD	D5 Geartronic AWD	T6 Geartronic AWD
Configuration		Transverse – 16 valve	Transverse – 16 valve	Transverse – 16 valve	Transverse – 16 valve
Cylinders		4	4	4	4
Engine capacity, cc		1969	1969	1969	1969
Bore x stroke, mm		82 x 93.2	82 x 93.2	82 x 93.2	82 x 93.2
Max. output ECE,	kW rpm	140 4250	187 5500	173 4000	235 5700
Max. torque ECE,	Nm rpm	400 1750-2500	350 1500-4800	480 1750-2250	400 2200-5400
Octane rating		50ppm Diesel	95 RON unleaded	50ppm Diesel	95 RON unleaded
Fuel system		Common rail direct injection	Direct fuel injection	Common rail direct injection	Direct fuel injection
Compression ratio		15.8:1	10.8:1	15.8:1	10.3:1

PERFORMANCE		D4 Geartronic AWD	T5 Geartronic AWD	D5 Geartronic AWD	T6 Geartronic AWD
Top speed km/h		180*	180*	180*	180*
Acceleration 0-100 km/h sec		8.4	6.8	7.2	5.9
Drag coefficient		0.32	0.32	0.32	0.32

* Volvo Cars, as a worldwide leader in safety, will limit the top speed on all new cars to 180 km/h from 2020.

FUEL CONSUMPTION**		D4 Geartronic AWD	T5 Geartronic AWD	D5 Geartronic AWD	T6 Geartronic AWD
Urban	ℓ/100 km**	6.3	9.3	6.5	9.5
Extra Urban	ℓ/100 km**	4.7	6.3	5.2	6.8
Combined	ℓ/100 km**	5.2	7.3	5.5	7.7
CO ₂ g/km**		136	167	144	176
Fuel tank capacity	(litres)	71	71	71	71

** All fuel consumption figures and CO₂ emissions are based on the New European Driving Cycle (NEDC) test procedure. This test procedure is designed to assess the emission levels of car engines and fuel economy in passenger cars.

** The results do not express or imply any guarantee of the fuel consumption of a particular car as there are inevitable differences between individual cars of the same model.

Additionally, driving style, traffic conditions, as well as the age and mileage and standard of maintenance will affect a car's fuel consumption.

** The weight of the vehicle will influence the level of CO₂ emitted. As a result, vehicles with higher levels of specification and factory fit options may emit higher levels of CO₂.



STEERING SYSTEM	ALL MODELS
Turning circle, m	11.4

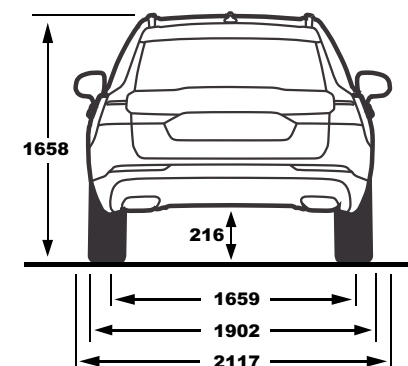
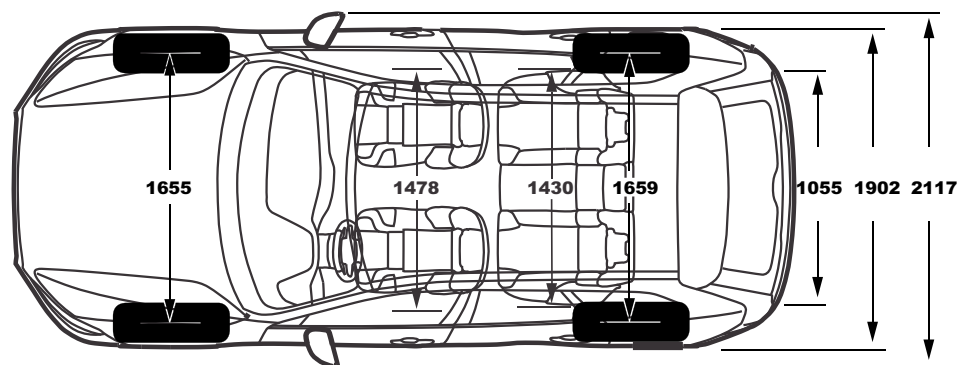
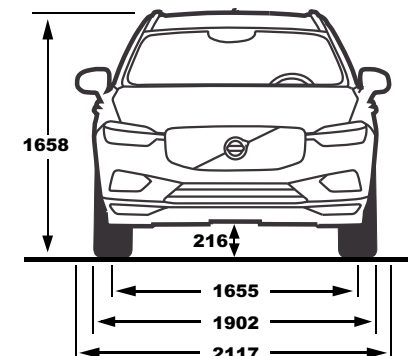
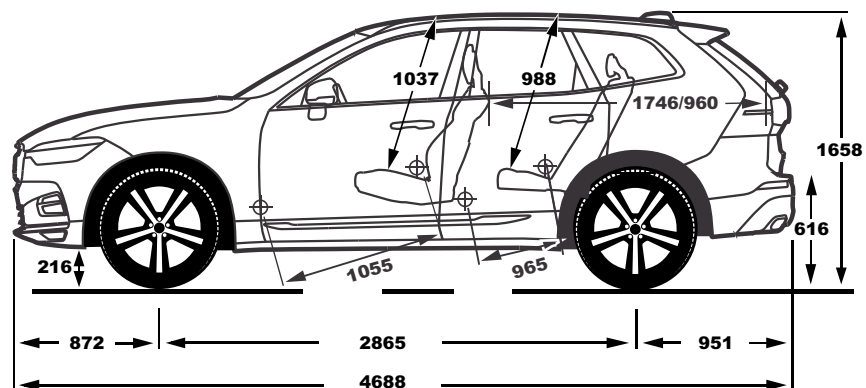
LUGGAGE COMPARTMENT	ALL MODELS
Volume, litres	505
Volume, rear seats down, litres	854
Volume, largest	1432

TRANSMISSION	ALL MODELS
Geartronic AWD (D4, T5, D5, T6)	8 speed

BRAKES	ALL MODELS
Front disc diameter, mm	322
Rear disc diameter, mm	302

GROUND CLEARANCE	ALL MODELS
Vehicle ground clearance, mm	216
with 2 persons, mm	211
Wading depth, mm	400
Approach angle	23.1°
Departure angle	25.5°
Breakover angle	20.8°

WEIGHT	D4 Geartronic AWD	T5 Geartronic AWD	D5 Geartronic AWD	T6 Geartronic AWD
Min. kerb weight, kg (actual kerb weight dependent on spec.)	1802	1779	1846	1835
Max. possible towing weight braked, kg	2400	2400	2400	2400
Max. towing weight unbraked, kg***	750	750	750	750
Max. towball weight, kg	90	90	90	90
Max. total weight, kg	2500	2470	2520	2490
Max. roof load, kg	100	100	100	100
Max. payload, kg (dependent on spec.)	698	691	674	655



All measurements in mm.

*** Unbraked towing weight must not exceed 50% of kerb weight up to a maximum of approximately 750 kg.

NB: Some of the information in this brochure may not be correct due to product changes which may have occurred since it was printed. Some of the equipment described or shown may now be available only at extra cost. Before ordering, please ask your Volvo dealer for the latest information. The manufacturer reserves the right to make changes at any time, without notice, to colour, materials, specifications and models.

Volvo Car South Africa.



Volvo Car Finance
A product of WesBank

Volvo Car Financial Services

Volvo Car Financial Services has flexible financing options that enable you to structure your deal according to your specific requirements.

We want your experience of buying and owning a Volvo to be enjoyable and hassle-free. That is why we have developed the following online service tools:

- Online finance application – apply for finance any time of day or night and get an instant answer.
- Calculators – calculate your monthly repayments or calculate the value of a vehicle that you could buy based on a specified monthly repayment.
- Account services – manage your account in a secure and user-friendly online environment in real time.

So, remember to insist on Volvo Car Financial Services at your dealer or simply visit www.volvocars.com/za for more information.



Volvo Car Finance
A product of WesBank

Volvo Versatility Finance

For a tailor-made deal and guaranteed future value.

With best-in-class guaranteed future value across the entire Volvo range, it is a forward-thinking way to finance and future-proof your dream Volvo. When you reach the end of your finance period, you can renew, return or retain your Volvo. It is all up to you.

Flexibility today. Certainty tomorrow.

* Terms and conditions apply. As at time of print.

My Volvo App

The official Volvo Car South Africa App that lets you connect with your integrated services.

Integrated services include:

- Volvo Car Finance – Information around your finance agreement with Volvo Car Finance.
- My Volvo – Details around your specific vehicle.
- Tracker info – Tracker information like emergency assist, roadside assist, current location, and odometer adjustment.
- Volvo Insurance – Ability to arrange insurance for your vehicle.
- Warranties – Request a quote for warranty extensions.
- News – Current news around the Volvo Car family.
- Volvo Rental – Apply for your Volvo Rental.



Car Insurance

Volvo Car Insurance

Peace of mind. Our idea of luxury.

A Volvo-personalised insurance scheme. Highly competitive comprehensive insurance premiums available on all Volvo models.

Ask your Volvo dealer for more information.

Underwritten by Guardrisk Insurance Company (PTY) LTD, FSP NO:75.
Administered by Insurance Underwriting Managers (PTY) LTD, FSP NO:21820.

* Terms and conditions apply.

Volvo On Call (VOC)

One app gives you control over your car's functions and access to a world of convenience. Providing you with the best personal motoring services in the country. Your Volvo now comes standard with VOC*. Pleaser refer to page 10 for more information.

Should your personal details change or you need to update your information, please contact **0800 MY VOLVO (0800 698 6586)**.

* Model year dependant.

V O L V O

All models standard with a 5 year / 100 000km Volvo Plan.

NB Some of the information in this brochure may not be correct due to product changes which may have occurred since it was printed. Before ordering, please ask your Volvo dealer for the latest information. The manufacturer reserves the right to make changes at any time, without notice, to colour, materials, specifications and models. Issued November 2020.

VOLVOCARS.COM/ZA