

THE VOLVO XC90



THERE'S MORE TO LIFE WITH A VOLVO. THERE'S GETTING WHERE YOU WANT TO GO. THERE'S GETTING THERE IN STYLE AND COMFORT. THERE'S POWER, AGILITY AND UNRESTRICTED PLEASURE. AND THERE'S DESIRE. DESIRE TO ENJOY THE BEST AND DESIRE TO SHARE THIS WITH THOSE YOU LOVE, NO MATTER WHERE YOUR JOURNEY TAKES YOU. THAT'S WHY YOU SHOULD TAKE A CLOSER LOOK AT THE VOLVO XC90.





THE RIGHT EQUIPMENT. It's essential that your Volvo comes equipped with everything you need. Below you'll find the standard equipment lists for each model variant, plus optional equipment to personalise your Volvo XC90. And as you'd expect, there is an array of industry-leading, cutting edge safety innovations.

STANDARD EQUIPMENT - SAFETY AND SECURITY	D5	2.5T	EXECUTIVE V8/D5	R-DESIGN V8/D5/2.5T
Passenger air bag cut off switch	•	•	•	•
Dual stage driver and passenger airbags	•	•	•	•
SIPS (Side Impact Protection System)	•	•	•	•
SIPS airbags	•	•	•	•
IC (Inflatable Curtains)	•	•	•	•
RSC (Roll Stability Control)	•	•	•	•
WHIPS (Whiplash Protection System) (front seats)	•	•	•	•
ABS (Anti-lock Brake System) with EBD (Electronic Brake Distribution)	•	•	•	•
DSTC (Dynamic Stability and Traction Control) with Electronic Brake Assistance	•	•	•	•
7 x three point seat belts	•	•	•	•
Seat belt pre-tensioners (all seats)	•	•	•	•
Head restraints – all 7 seats	•	•	•	•
ISOFIX child seat preparation (2nd row)	•	•	•	•
Integrated booster cushion rear centre position	•	•	•	•
Anti-theft alarm including immobiliser with LED (Key Transponder) and level sensor	•	•	•	•
Key integrated remote control central locking including fuel flap with deadlocking system	•	•	•	•
Mass movement sensor	•	•	•	•
Water repellent front side windows	•	•	•	•
Laminated side windows	•	•	•	•
Load cover (cargo area) and load protection net	•	•	•	•
Headlamp levelling system	•	•	•	•
High level LED brake light	•	•	•	•
Home safe and approach lighting	•	•	•	•
Power child locks (rear doors)	•	•	•	•
Warning triangle	•	•	•	•

STANDARD EQUIPMENT - EXTERIOR	D5	2.5T	EXECUTIVE V8/D5	R-DESIGN V8/D5/2.5T
17" Neptune Alloy Wheels – 235/65 R17 Tyres	•	•		
19" Galateia Alloy Wheels – 255/50 R19 Tyres			•	
19" Vulcanis 5-Spoke Alloy Wheels (Silver Bright) – 255/50 R19 Tyres				•
Tempa spare wheel with jack kit	•	•	•	
Tyre repair kit				•
Bi-Xenon headlights with headlamp cleaning system	•	•	•	•
Power adjustable and heated door mirrors with ground lights and auto-fold	•	•	•	•
Front fog lights	•	•	•	•
Rear wash/wipe with interval function	•	•	•	•
Rain sensor – automatic windscreen wiper activation	•	•	•	•

STANDARD EQUIPMENT - EXTERIOR Continued	D5	2.5T	EXECUTIVE V8/D5	R-DESIGN V8/D5/2.5T
Roof rails (brushed aluminium)	•	•	•	
Comfort chassis	•	•	•	
Lowered sports chassis				•
Colour co-ordinated door mirrors	•	•		•
Silver matt door mirrors (Executive)			•	
Colour coordinated fender extension	•	•	•	•
Colour coordinated wheel arches	•	•		
Front and rear skid plate (unique rear skid plate – R-design only)				•
Colour co-ordinated door handles and rubbing strips	•	•	•	•
Unique Executive grille			•	
Chrome surround for air intake			•	
R-design grille with logo				•
Silver matt exterior trim (window frame surround, tailgate trim and side scuff plates)				•
Silver extended front skid plate and unique rear skid plate				•
Rear park assist	•	•	•	•
Exterior Executive badge			•	
Load compensating suspension				•
Electronic All Wheel Drive System with Instant Traction™ (Haldex Coupling)	•	•	•	•
Dual exhaust pipes R-design				•

STANDARD EQUIPMENT - INTERIOR	D5	2.5T	EXECUTIVE V8/D5	R-DESIGN V8/D5/2.5T
ECC (Electronic Climate Control) with AQS (Air Quality System) and pollen filter	•	•	•	•
B-Pillar ventilation	•	•	•	•
3rd row air-conditioning			•	
Information centre	•	•	•	•
Exterior temperature gauge	•	•	•	•
Cruise control	•	•	•	•
Geartronic transmission 6 speed (5 speed for 2.5T)	•	•	•	•
Speed dependent steering system	•	•	•	•
Front and rear power windows	•	•	•	•
Illuminated driver and passenger vanity mirrors	•	•	•	•
Front and rear reading lights	•	•	•	•
Auto-dimming rear view mirror	•	•	•	•
Front centre armrest	•	•	•	•
Ashtray and cup holder in tunnel console	•	•	•	•
Extended front tunnel console with rear cup holders	•	•	•	•
12V socket (rear tunnel console/luggage area)	•	•	•	•
Power driver and passenger seats with driver's memory and door mirror memory	•	•	•	•
Forward folding front passenger seat	•	•	•	•
2 individual folding 3rd row seats	•	•	•	•
3 individual folding 2nd row seats	•	•	•	•





STANDARD EQUIPMENT - INTERIOR Continued	D5	2.5T	EXECUTIVE V8/D5	R-DESIGN V8/D5/2.5T
Leather gear knob	•	•		
Leather gear knob, wood (Executive)			•	
Sports perforated leather gear knob				•
Leather steering wheel	•	•		
Leather sports steering wheel with R-design logo				•
Steering wheel with redwood (Executive)			•	
Steering wheel remote audio controls	•	•	•	•
Heated front seats			•	
Heated rear seats			•	
Height and reach adjustable steering column	•	•	•	•
Illuminated ignition lock	•	•	•	•
Dark wood trim	•	•		
Walnut wood trim in panels, centre console and gear lever knob			•	
R-design unique deco inlay				•
Leather-faced upholstery	•	•		
Executive ventilated soft leather upholstery with massage function and door inserts with contrast piping (all 3 rows)			•	
Leather-faced smooth Thai leather upholstery with logo				•
Executive soft leather extra padded front door armrests			•	
Luxury floor mats	•	•		
Executive Nubuck trimmed floor mats			•	
Sports floor mats				•
Aluminium sports pedals				•
High Performance Audio System – 1 x CD/radio, 4 x 40W amplifier, aux input (MP3/WMA compatible) amplifier and 8 speakers. iPod/USB function	•	•		
Premium Sound Audio System – 1 x CD/radio with Dolby Pro Logic (ii) digital surround Sound, 5 x 130W amplifier, aux input (MP3/WMA compatible) and 12 speakers (iii). iPod/USB function			•	•

* OPTIONAL EQUIPMENT - SAFETY AND SECURITY	Price incl. 14% VAT	D5	2.5T	EXECUTIVE V8/D5	R-DESIGN V8/D5/2.5T
BLIS (Blind Spot Information System)	R7,800.00	o	o	o	o
Dark tinted rear windows (rear windows and rear screen) (i)	R3,000.00	o	o	o	o
IR (Infrared) reflective glass windscreen and front windows	R4,700.00	o	o	o	o

* OPTIONAL EQUIPMENT - EXTERIOR	Price incl. 14% VAT	D5	2.5T	EXECUTIVE V8/D5	R-DESIGN V8/D5/2.5T
18" Camulus Alloy Wheels – 235/60 R18 V Tyres	R6,700.00	o	o	n/a	n/a
18" Notos Alloy Wheels – 235/60 R18 V Tyres	R6,700.00	o	o	n/a	n/a
18" Situla Alloy Wheels – 235/60 R18 V Tyres	R6,700.00	o	o	n/a	n/a
20" Cratus Alloy Wheels – 255/45 R20 V Tyres	R8,000.00	n/a	n/a	n/a	o
Locking wheel nuts	R600.00	o	o	o	o
Load compensating suspension	R7,300.00	o	o	o	•
Roof rails (brushed aluminium)	R1,600.00	•	•	•	o

* OPTIONAL EQUIPMENT - INTERIOR	Price incl. 14% VAT	D5	2.5T	EXECUTIVE V8/D5	R-DESIGN V8/D5/2.5T
Air conditioning for 3rd row of seats	R5,000.00	o	o	●	o
Power glass tilt and slide sunroof	R7,500.00	o	o	o	o
Auto-dimming rear view mirror with compass	R1,100.00	o	o	o	o
Cross brushed aluminium trim	R1,600.00	o	o	n/a	n/a
6 CD front loader	R3,100.00	o	o	o	o
Premium Sound Audio System - 1 x CD/radio with Dolby Pro Logic II (ii) Digital Surround Sound, 5 x 130W amplifier, aux input (MP3/WMA compatible) and 12 speakers (iii). iPod/USB function	R10,300.00	o	o	●	●
Rear Seat Entertainment System with 1 x DVD player in front centre armrest, 2 x 8" screens, 2 x IR headphones, remote control rear seat audio console with headphone sockets x 4	R16,000.00	o	o	o	o
RTI navigation system with remote control and map data on hard disk (iii)	R21,200.00	o	o	o	o
Heated front seats	R1,600.00	o	o	●	o
Bluetooth® hands free system	R2,600.00	o	o	o	o
Steering wheel with wood inlay	R2,100.00	o	o	n/a	n/a
Gear lever with wood inlay	R1,100.00	o	o	n/a	n/a
Rear headphone socket	R2,600.00	o	o	o	o
Refrigerator in centre console	R7,000.00	n/a	n/a	o	n/a

● = standard; o = option; n/a = not available

* Fitted at factory.

- (i) Laminated water repellent side windows and dark tinted rear windows cannot be combined.
- (ii) Dolby and Pro Logic II Surround Sound™ are trademarks of Dolby Laboratories Licensing Corporation.
- (iii) If Premium Sound Audio ordered with RTI Navigation System, includes 11 speakers.

Prices are inclusive of 14% VAT	D5	2.5T	EXECUTIVE V8/D5	R-DESIGN V8/D5/2.5T
ELITE PACKAGE: Heated front seats; Sunroof; Lockable wheel bolts for alloy wheels; Compass in rear view mirror; Audio Premium Sound (AUX, MP3, 5 x 130W, 12 speakers); Rear headphone sockets; 3rd row Air-conditioning. Includes C-pillar vent; BLIS (Blind Spot Information System); Bluetooth® handsfree; 18" CAMULUS, Silver bright alloy wheels.	R22,500.00	R22,500.00	n/a	n/a
R-DESIGN ADDITIONAL CONTENT: Heated front seats; Sunroof; Lockable wheel bolts for alloy wheels; Compass in rear view mirror; Rear headphone sockets; 3rd row Air-conditioning, includes C-pillar vent; BLIS (Blind Spot Information System); Silver Roof rails; Bluetooth® handsfree; 20" CRATUS alloy wheels.	n/a	n/a	n/a	R20,000.00
EXECUTIVE ADDITIONAL CONTENT: Sunroof; Lockable wheel bolts for alloy wheels; Compass in rear view mirror; Rear headphone sockets; BLIS (Blind Spot Information System); Bluetooth® handsfree; Refrigerator.	n/a	n/a	R15,000.00	n/a

n/a = not available





We protect more than the fun of living

Across the world, Volvo equals safety. But we're not satisfied. Because we know what we want to achieve: zero accidents. The good news is, we've already come a long way. Driving a Volvo today is like having a first peek at a future where life is effectively preserved and celebrated.

THERE'S MORE TO LIFE WITH A VOLVO. THAT'S WHY WE DESIGN OUR CARS TO SUPPORT YOU IN ANY SITUATION ON THE ROAD. THAT'S WHY OUR SAFETY TECHNOLOGY HAS PUSHED AUTOMOTIVE DEVELOPMENT FOR MORE THAN EIGHTY YEARS. THAT'S WHY WE AIM FOR A FUTURE WHERE CARS DON'T CRASH. THAT'S WHY WE LEAD THE WAY TO ZERO EMISSIONS, AND OFFER ONE OF THE PREMIUM SEGMENTS STRONGEST RANGES OF LOW CO2 ALTERNATIVES. AND THERE ARE ALL THE REASONS IN THE WORLD TO MOVE THE BOUNDARIES FOR WHAT'S POSSIBLE AND WHAT'S NOT. THAT'S WHY WE INNOVATE FOR LIFE.

* **ACCESSORIES FROM VOLVO.** Of course, your Volvo XC90 won't be perfect until it's exactly how you want it. And that's why we offer a range of accessories so you can completely personalise your new car.

* Fitted at local dealer



Towbars

Our lockable, easy to remove towbars are designed specifically for your Volvo.



Moulded plastic cargo mat

A protective mat coated with a layer of friction increasing rubber to prevent load from sliding around. We also offer an extended range of products to protect your vehicle's interior and cargo compartment.



Protective grille, steel

Prevents loads or pets from being thrown forward into the passenger compartment in the event of sudden braking or a collision. Simple installation due to prepared mounting points behind the 2nd row seats. (option also available for third row – 7 seater)



Convertible child seat (9-25kg)

Advanced design helps provide world class protection and flexible seating for many years. Other options available, please visit the website for more information.



Frame mounted bicycle holder

This holder secures the bicycle at the frame and both wheels and fits most frame sizes.



USB and iPod®music interface

Simply connect your iPod® or USB device and seamlessly integrate with your Volvo's audio system.



"Space design" roof box

A lightweight, aerodynamic roof box available in two sizes: 380 and 480 litres. (other options also available)



Bluetooth® handsfree system

Volvo's voice controlled, hands free system with Bluetooth® is a versatile and easy way to speak on your mobile phone.



Rear Seat Entertainment (RSE) dual screen

Rear seat passengers can watch a DVD or play a game via two, integrated, 8 inch widescreen displays.

Kayak cradle, folding

An easy to load and space saving cradle for secure transportation of kayaks. The angled and space saving design makes it possible to carry two kayaks or one kayak plus extra equipment on the car roof. Easy to load as the kayak can be easily angled towards the textile covered mating surfaces and is firmly held in place by durable retaining straps. It can be easily folded down when not in use. A solution that reduces the air resistance when driving and increases the free height at the garage entrance.



Cargo compartment separator, longitudinal

A steel cargo compartment separator enables you to separate the compartment longitudinally, to have two cargo compartments in one, separating dirty or fragile cargo from other cargo.



Cargo net, cargo space floor

A practical fabric net that prevents cargo from sliding around in the cargo compartment. Made of an elastic material, making it easy to load cargo under the net.

Take a look at all our accessories and full pricing information at www.volvocars.co.za/accessories

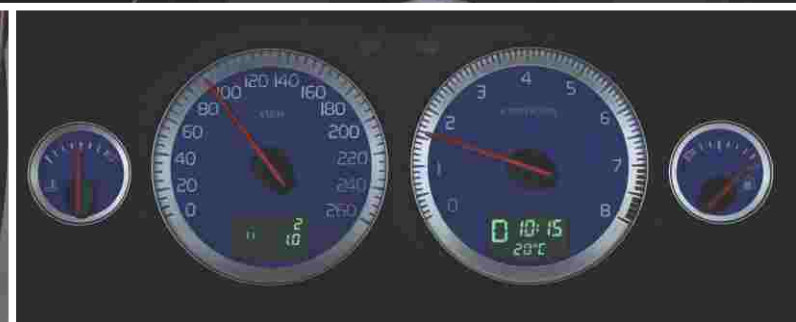
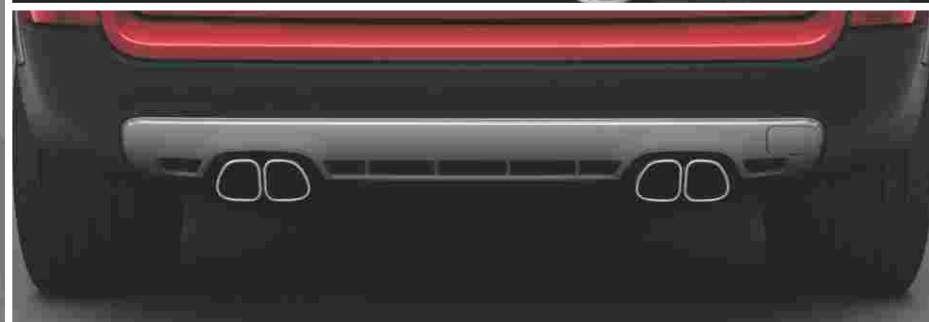
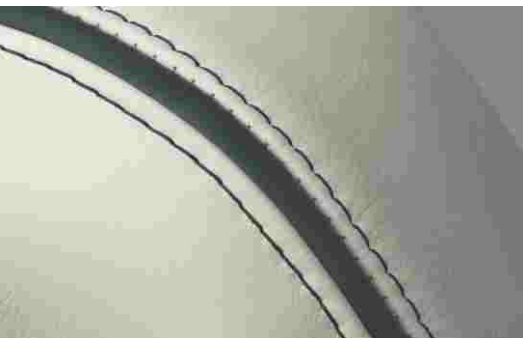
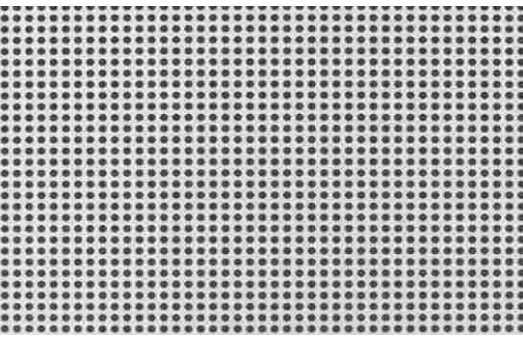


R-DESIGN

The R-DESIGN variant of the multi-award-winning Volvo XC90 has it all: Compelling performance, distinctive styling, and, of course, legendary Volvo safety. With its sports-tuned chassis, the Volvo XC90 R-DESIGN is not shy – especially not around corners. The exceptionally agile Volvo XC90 R-DESIGN secures its high-traction road-holding ability courtesy of a unique, sports-tuned chassis, sports-calibrated steering, and sophisticated stability control technologies. The result is a vehicle that feels quicker and more responsive, yet remarkably composed and purposeful. This is preventive safety from Volvo that helps keep the thrill of driving (and much more) alive.

R-DESIGN seats

The leather R-DESIGN seats are covered in two premium grades of chrome-free hide with a contrasting colour inlay and embossed R-DESIGN logo. The front seats feature extra padding and beefier side bolsters to hug you in the corners.



Sports-tuned chassis

The Volvo XC90 R-DESIGN has a specially tuned chassis that separates this vehicle from the crowd. The front suspension uses McPherson struts with anti-dive and anti-lift functionality. The multi-link independent rear suspension is attached to a steel sub-frame. The front and rear both have firmer shocks and stiffer anti-roll bars for added stability and quicker steering response.

Servotronic power steering

The R-DESIGN steering wheel with aluminium inlay doesn't just look smart. Behind it, the Servotronic power steering uses sophisticated, speed-sensitive technology to regulate the amount of power assistance a driver needs. At highway speeds, steering is firmer and more immediate. When parking or in slow traffic, steering is light and effortless. The Volvo XC90 R-DESIGN has a specially tuned Servotronic system that increases steering feedback significantly in 50–60 km/h range.

High performance wheels

The distinctive Vulcanis 19" wheels with five diamond cut spokes couldn't be more serious about driving. Behind them lie large, ventilated disc brakes, firmer shocks for improved body control and stiffer anti-roll bars to help keep the car flat through hard turns. If this isn't enough for you, Cratus 20" wheels are available as an option.

Sports tailpipes

Unique chrome-finish tailpipes ensure the XC90 R-DESIGN sticks out from the crowd. Indeed, this feature alone could be what other drivers notice first as they follow your lead. The V8 model also features a sports-tuned exhaust system.

BESPOKE TAILORING FROM VOLVO. The finest fabrics, superb stitching and minute attention to detail – whichever interior you choose for your Volvo XC90, you'll be surrounded by luxury. How will you tailor yours?



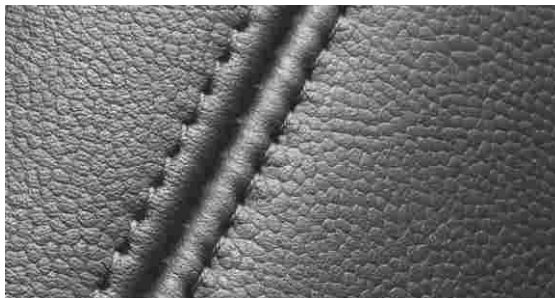
Leather - Off black (C900)



Leather - Soft beige (C910)




Leather - Calcite (C90T)



LEATHER. This is the upholstery that affords the Volvo XC90 an atmosphere of luxury. It's a new hide quality that's smooth, durable and has a fine grain pattern. Like all Volvo leather, it's organically tanned and ages beautifully.

NB It is not possible to reproduce exact original shades in printed matter.

UPHOLSTERY	Upholstery code	Upholstery colour	Dashboard top / door panel colour	Door insert, colour	Headliner colour
 Sports Leather	CBSB CBQJ	Off black with Linen white inlay Quartz with black inlay	Off black/Off black Dark Umbra/Umbra	Off black Quartz	Quartz Quartz
Leather	C900 C90T C910	Off black Calcite Soft beige	Off black/Off black Off black/Off black Espresso brown/Mocca brown	Off black Calcite Soft beige	Quartz Quartz Soft beige
Executive Ventilated Soft Leather	CU00 CUSU	Off Black Soft Beige	Off Black/Off Black Off Black/Off Black	Off Black Soft Beige	Quartz Quartz

INTERIOR INLAYS. A section of premium materials to complement your interior fabric.



Leather steering wheel, Off black



Leather steering wheel, Sandstone beige



Dark wood steering wheel, Off black



Leather gear knob, Off black. Geartronic



Gear knob with dark wood trim. Geartronic



Dark wood



Cross brushed aluminium



Classic wood (Executive only)



EXECUTIVE INTERIOR DESIGN. Inside the specially designed Volvo XC90 Executive, you'll find seats upholstered in Executive Soft Leather with contrasting seams and piping – all the way back to the third row. As well as featuring the supreme comfort of ventilated leather, the front seats are also equipped with a massage facility. A luxury we're sure you'll appreciate during driving on longer journeys.

Leather trimmed door panels with front padded armrests add to comfort while the hand-ground walnut wood trim and extra thick pile of the nubuck trimmed floor mats are the final word in understated luxury. And for that final exclusive touch? Why not add an integrated cooler box between the front seats?





Executive Wooden steering wheel, Off black



Executive Wooden steering wheel, Soft beige



Walnut wood trim in tunnel console and glove box



Off black interior,
Executive Soft Leather perforated Off black (CU00)



Off black interior,
Executive Soft Leather perforated Soft beige (CUSU)



Gear knob with
Walnut wood trim
Geartronic (Standard)

COLOUR YOUR VOLVO. When it comes to the appearance of your Volvo, the choice of exterior colour and wheels are probably your most important design decisions. For more exterior styling options and to build your new Volvo online, please visit www.volvocars.co.za

EXTERIOR DESIGN Aluminium wheels



019 Black stone (ii)



426 Silver metallic (ii)



452 Black sapphire metallic



477 Electric silver coarse flake metallic



492 Savile grey pearl metallic



702 Flamenco red pearl metallic (ii)



467 Magic blue pearl metallic



612 Passion red (iii)



614 Ice white



487 Ember black metallic (ii)



493 Caper green metallic (ii)



472 Oyster grey pearl metallic (ii)



17" Neptune



18" Camulus



18" Situla



18" Notos



19" Vulcanis (R-Design only)



19" Galateia (Exec only)



20" Cratus (R-Design only)

(i) Not available on Executive (ii) Not available on R-Design (iii) Exclusive to R-Design only

Please note: It's not possible to reproduce exact original shades in printed matter. Please ask your dealer to show you samples.

CLEAN COLOURS To reduce usage of environmentally hazardous solvents all Volvo exterior colours are water-based. What's more, our painting facilities are among the cleanest in the world.



IN FINE DETAIL. The nuts and bolts of your Volvo XC90. Whatever you need to know about your new car – whether that’s fuel consumption, CO₂ emissions, top speed or boot space – you’ll find it here.

ENGINE		2.5T Geartronic	V8 Geartronic	D5 Geartronic
Configuration		Transverse – 20 valve	Transverse – 32 valve	Transverse – 20 valve
Cylinders		5	8	5
Engine capacity, cc		2521	4414	2400
Bore x stroke, mm		83 x 93.2	94 x 79.5	81 x 93.15
Max. output ECE,	PS kW rpm	210 154 5000	315 232 5850	200 147 3900
Max. torque ECE,	Nm rpm	320 1500-4500	440 3900	420 1900-2800
Octane rating		95 RON unleaded	95 RON unleaded	50ppm Diesel
Fuel system		Port fuel injection	Port fuel injection	Common rail direct injection
Compression ratio		9.0:1	10.4:1	17.3:1

PERFORMANCE	2.5T Geartronic	V8 Geartronic	D5 Geartronic
Top speed km/h	210	210	205
Acceleration 0-100 km/h sec	9.9	7.3	10.3
Drag coefficient	0.36	0.36	0.36

FUEL CONSUMPTION (i) (ii)		2.5T Geartronic	V8 Geartronic	D5 Geartronic
Urban	l/100 km	16	19.8	11
Extra Urban	l/100 km	9.2	9.6	6.8
Combined	l/100 km	11.7	13.3	8.3
CO ₂ g/km		280	317	219
Fuel tank capacity	(litres)	80	80	68



POWER STEERING SYSTEM	ALL MODELS
Turning circle, (m)	
235 - 255 Tyres (rack and pinion)	12.5 - 13.1

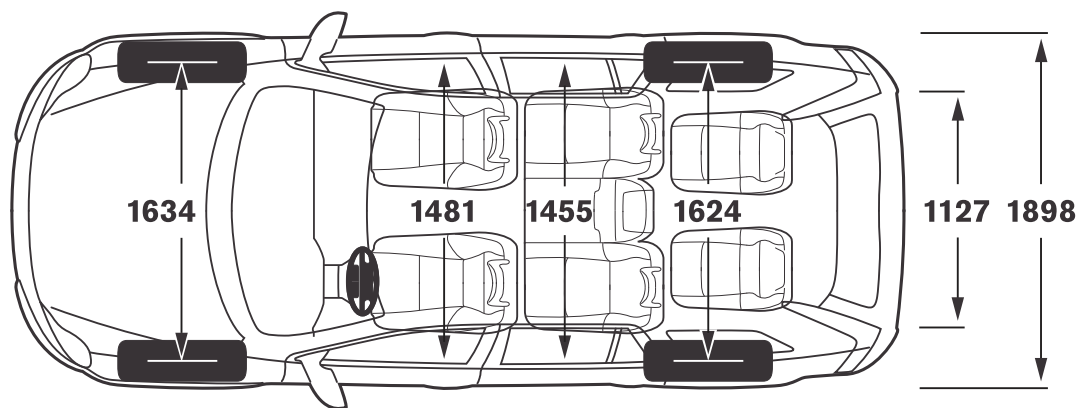
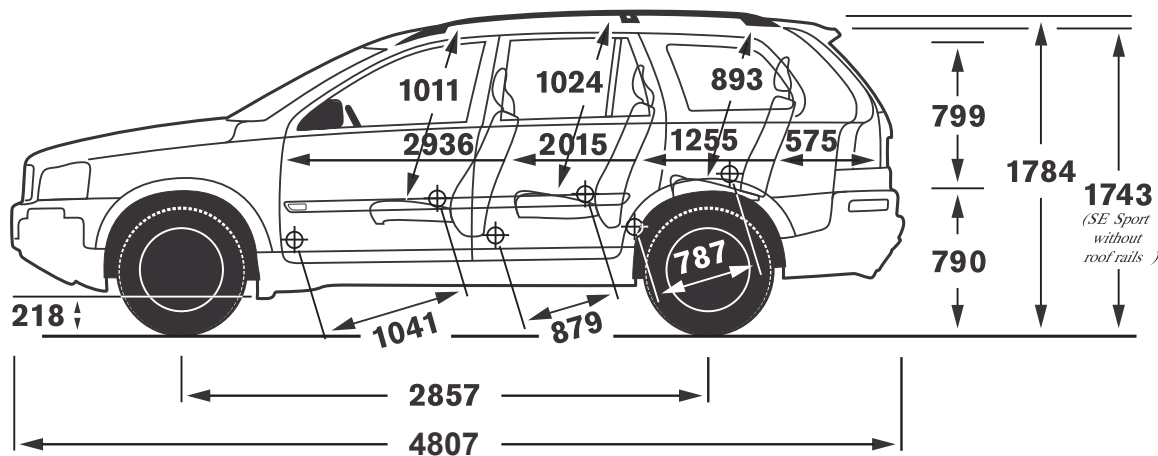
LUGGAGE COMPARTMENT Volume measured in litres	ALL MODELS
2nd/3rd row seats folded	1837
2nd row up/3rd row seats folded	615
2nd/3rd row seats up	249

TRANSMISSION	ALL MODELS
Geartronic 2.5T	5 speed
Geartronic D5, V8	6 speed

BRAKES	2.5T Geartronic	V8 Geartronic	D5 Geartronic
Front disc diameter, mm	17" - 336 Ventilated	17" - 336 Ventilated	17" - 336 Ventilated
Rear disc diameter, mm	308	308	308

WEIGHT	2.5T Geartronic	V8 Geartronic	D5 Geartronic
Min. kerb weight, kg (actual kerb weight dependent on spec.)	2123	2201	2163
Max. possible towing weight braked, kg	2250	2250	2250
Max. towing weight unbraked approx, kg (iii)	750	750	750
Max. towball weight, kg	90	90	90
Max. total weight, kg	2720	2770	2750
Max. roof load, kg	100	100	100
Max. payload, kg (dependent on spec.)	597	569	587

GROUND CLEARANCE	ALL MODELS
Vehicle ground clearance, mm	218
with 2 persons, mm	207
Wading depth, mm	406
Approach angle	28°
Departure angle	25°
Breakover angle	20°



(i) The results do not express or imply any guarantee of the fuel consumption of a particular car as there are inevitable differences between individual cars of the same model.

Additionally, driving style, traffic conditions, as well as the age and mileage and standard of maintenance will affect a car's fuel consumption.

(ii) The Urban fuel consumption figure is based on typical city driving, including starting the car from cold. The Extra Urban figure is based on typical motorway driving and cruising.

The Combined figure averages the consumption across both cycles.

(iii) Unbraked towing weight must not exceed 50% of kerb weight up to a maximum of 750 kg.

Notes

The weight of the vehicle will influence the level of CO₂ emitted. As a result, vehicles with higher levels of specification and factory fit options may emit higher levels of CO₂.

A weighbridge must be used to determine specific weights.

Data valid for manual transmission unless specified.

Gt = Geartronic Automatic Transmission.

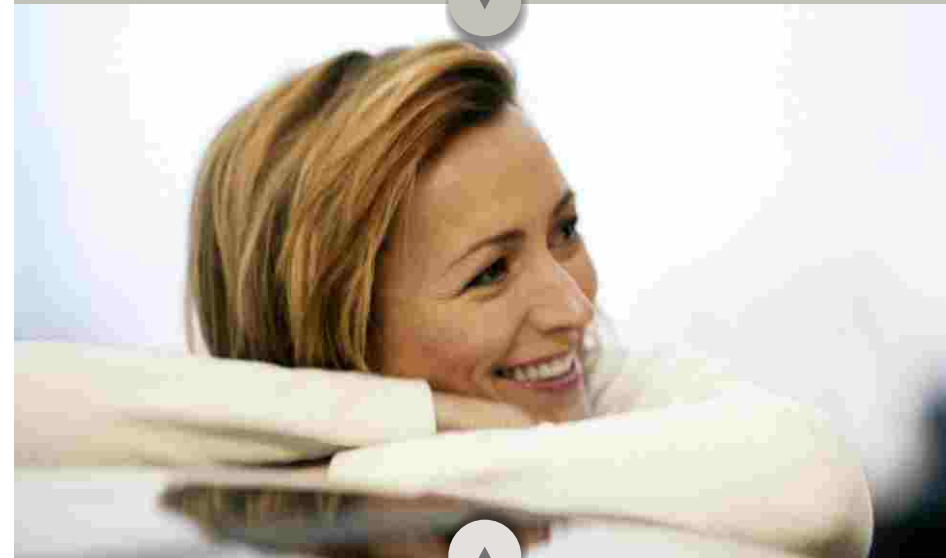
All measurements in mm.

The Max. output figures are quoted in PS (Pferdestärke), which is the metric equivalent of brake horsepower.

NB Some of the information in this brochure may not be correct due to product changes which may have occurred since it was printed. Some of the equipment described or shown may now be available only at extra cost. Before ordering, please ask your Volvo dealer for the latest information. The manufacturer reserves the right to make changes at any time, without notice, colour, materials, specifications and models.

Volvo Car South Africa.

Finance



Volvo Car Financial Services has flexible financing options that enable you to structure your deal according to your specific requirements.

We want your experience of buying and owning a Volvo to be enjoyable and hassle free, that is why we have developed the following online service tools:

- o Online finance application – apply for finance anytime of the day or and get an instant answer.
- o Calculators – calculate your monthly repayments or calculate the value of a vehicle that you could buy based on a specified monthly repayment.
- o Account services – manage your account in a secure and user-friendly online environment in real time.

So, remember to insist on Volvo Car Financial Services at your dealer or simple visit www.volvocars.co.za for more information.

Volvo Car Financial Services

A division of **WesBank**

THERE'S MORE TO LIFE WITH A VOLVO.

Volvo. for life



THAT'S WHY YOU DRIVE ONE.

All models standard with a 5 year / 100 000km Volvo Plan.

NB Some of the information in this brochure may not be correct due to product changes which may have occurred since it was printed. Before ordering, please ask your Volvo dealer for the latest information. The manufacturer reserves the right to make changes at any time, without notice, to colour, materials, specifications and models.