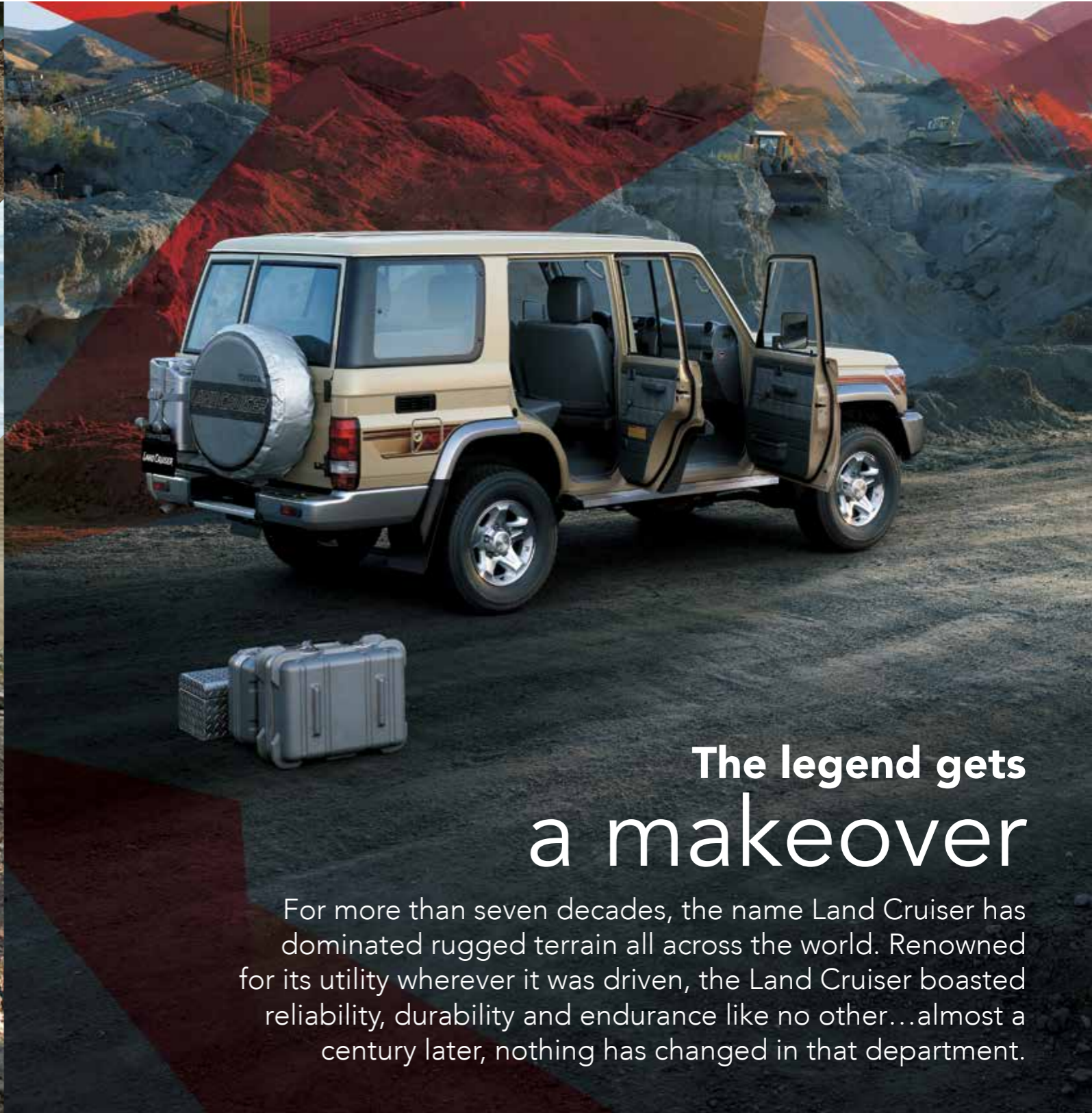


TOYOTA

LAND CRUISER





The legend gets a makeover

For more than seven decades, the name Land Cruiser has dominated rugged terrain all across the world. Renowned for its utility wherever it was driven, the Land Cruiser boasted reliability, durability and endurance like no other...almost a century later, nothing has changed in that department.

Legends are
made to last





Not all legends are created equal

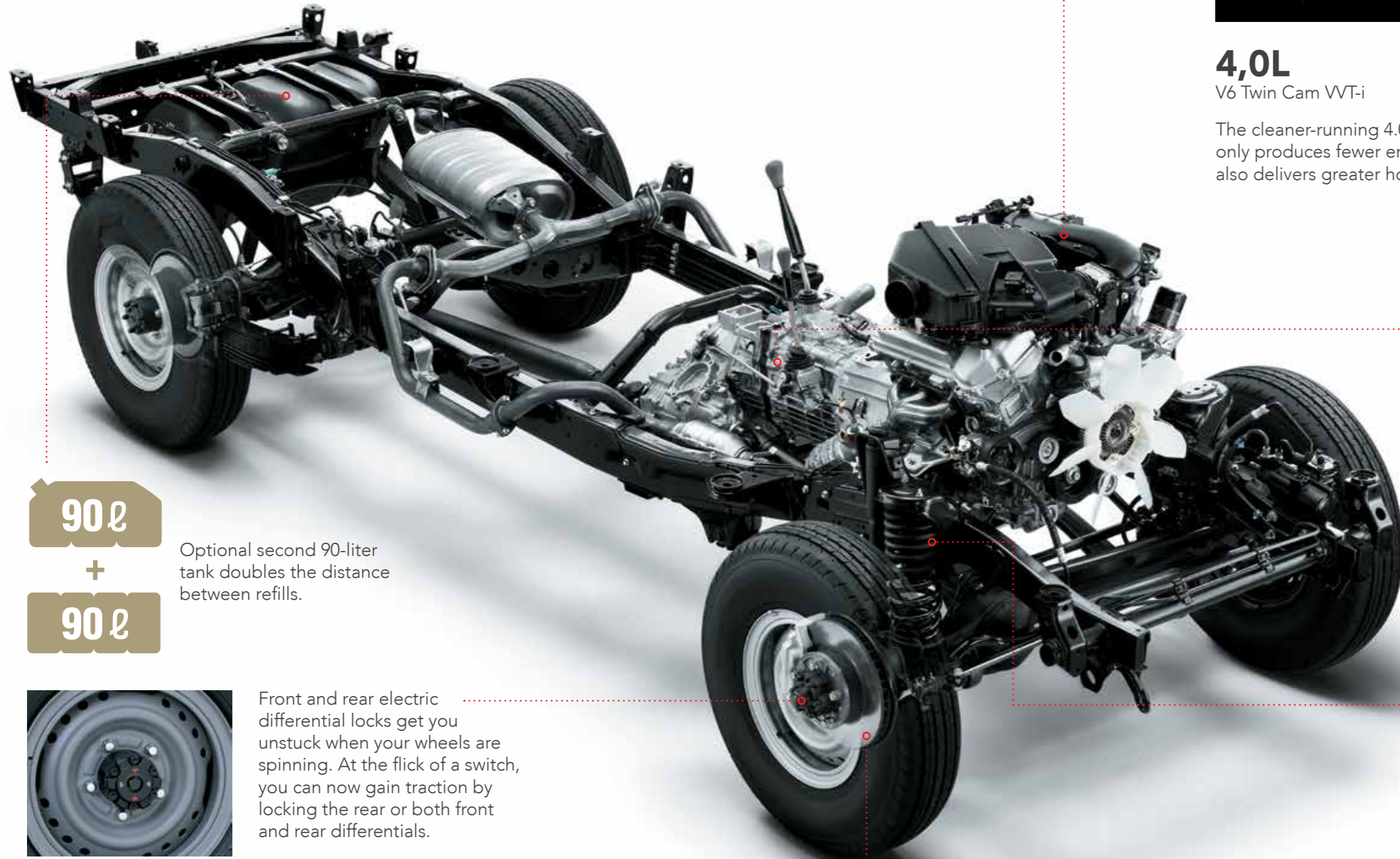
The Land Cruiser 70
is available in a 'Pick
Up' version as well
as a 'Hard Top'





Now you can go everywhere that your adventurous heart desires

The Land Cruiser is powerful, rugged and environmentally friendly, all the traits that makes it the ultimate utility vehicle for your lifestyle.



4,0L

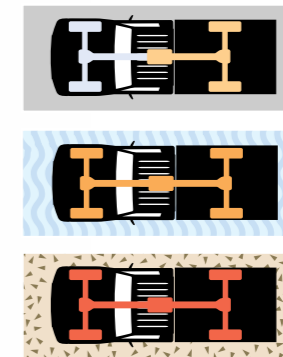
V6 Twin Cam VVT-i

The cleaner-running 4.0L engine not only produces fewer emissions, it also delivers greater horsepower.

4,2L Diesel

6 Cylinders, In-line OHC

The 4.2L diesel combines low fuel consumption, ample power and torque.



An Optional Dual Mode Automatic locking Hub lets you lock the front wheels and switch between 2WD and 4WD from the comfort of the driver's seat.

A coil spring front suspension delivers outstanding flexibility and load-bearing capacity.

90ℓ

+

90ℓ

Optional second 90-liter tank doubles the distance between refills.

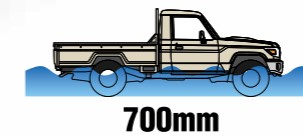
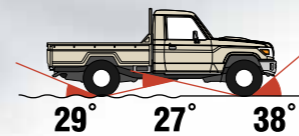


Front and rear electric differential locks get you unstuck when your wheels are spinning. At the flick of a switch, you can now gain traction by locking the rear or both front and rear differentials.

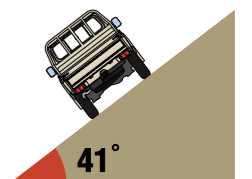
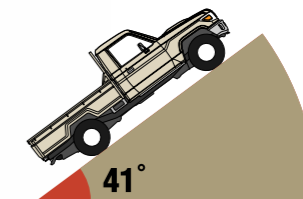


16-inch front ventilated disk brakes dissipate heat from braking for enhanced control and safety.

A rear limited slip differential enhances 4WD off-road experiences by automatically limiting the torque differential between a wheel that is stuck and the opposite wheel, to increase traction.



The Land Cruiser has ample ground clearance and climbing capabilities for rough roads.



Rough road features (Super Long Wheelbase Pickup)

Legends are built on being more than just normal



Optional fog lamps improve forward visibility in adverse weather



Optional triangular quarter windows are a handy way to freshen cabin air



Front-seat dual SRS* airbags supplement the restraining action of seatbelts to provide further protection in the event of a front-end collision (Optional)



Side impact beams reduce the likelihood of side impact intruding through the doors



Guard frames protect the cabin from shifting cargo



Rugged, reliable chains hold the tailgate at the angle of your choice



By helping prevent wheel lock when you apply the brakes suddenly, the ABS helps enhance handling and driving safety



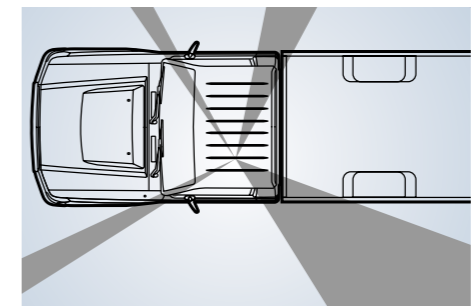
Galvanized steel side panels resist rust and corrosion



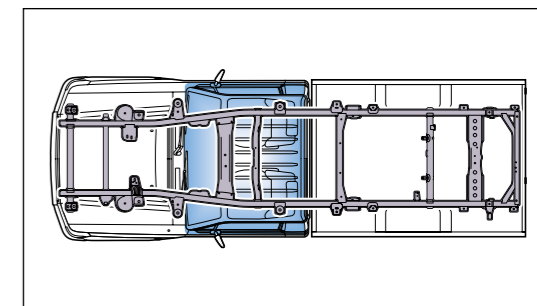
A tilt-adjustable, telescoping steering wheel allows finer adjustments to maximise driving comfort



The wireless door lock system lets you lock and unlock all the doors from a distance

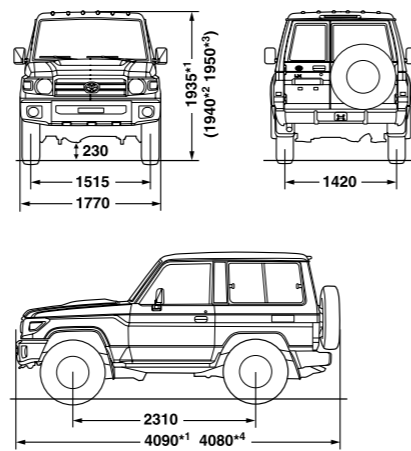
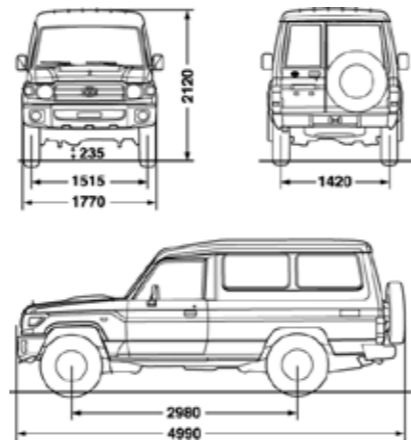
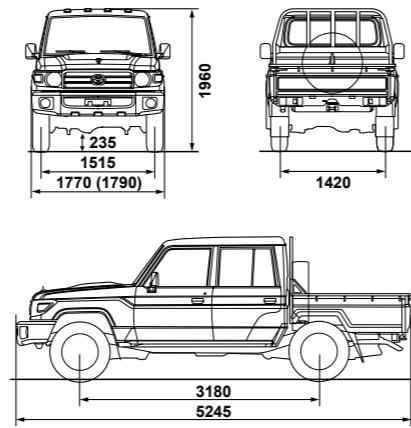
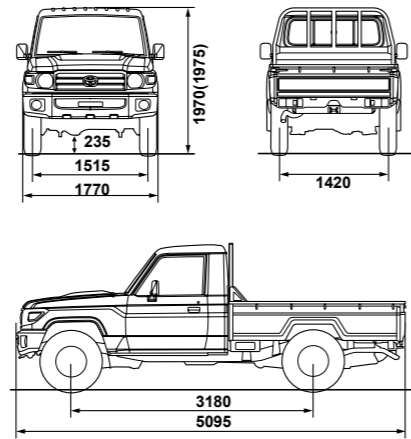


Good visibility minimizes fatigue on long trips



A front crushable zone absorbs the force of head-on collisions, protecting the driver and passengers by distributing energy impact throughout the frame

Dimensions



*1: Hard Top LX 1FZ-FE model *2: Hard Top STD 1HZ model
 *3: Soft Top STD 1HZ model *4: Hard Top STD 1FZ-FE model



Specifications

Model info	76 Station Wagon Diesel 4.2L	76 Station Wagon Diesel 4.2L	78 Hard Top Diesel 4.2L
Seating Capacity	10	9	13
Model Code	HZJ76R-RKMRS (A1)	HZJ76R-RKMRS (B1)	HZJ78R-RJMRS (TG)
Engine and Drivetrain			
Displacement (cm³)	4,164	4,164	4,164
Transmission	5 MT	5 MT	5 MT
Maximum Power (kW @ r/min)	96 / 3800	96 / 3800	96 / 3800
Maximum Torque (Nm @ r/min)	285 / 2200	285 / 2200	285 / 2200
Fuel System - Distributor Type		Yes	
Compression Ratio	22.4 : 1	22.4 : 1	22.4 : 1
Stabiliser Bar (Front) - Standard	Yes	Yes	Yes
Front Suspension - Rigid Axle (Coil)	Yes	Yes	Yes
Rear Suspension - Rigid Axle (Leaf)	Yes	Yes	Yes
Dimensions			
Overall length (mm)	4720	4720	4990
Overall width (mm)	1770	1770	1770
Overall height (mm)	1955	1955	2115
Gross vehicle weight (Kg)	3060	3060	3200
Min ground clearance (mm)	230	230	235
Wheels and Tyres			
Tyre Size - 7.50R16-8(E) 5.50F Steel	Yes	Yes	Yes
Spare Tyre	Yes	Yes	Yes
Spare Wheel Carrier	Back door W/Lock	Back door W/Lock	Back door W/Lock
Safety and security			
High mount stop lamp	No	Yes	Yes
Driver and front passenger airbags	Yes	Yes	Yes
Power door lock	No	D-Side Key Linked	No
Wireless door lock	No	No	No
Body and Styling			
Over fenders (body integrated)	Yes	Yes	Yes
Side Steps	Aluminium	Aluminium	Steel, Painted
Towing Hook-1xFR Closed and 1xRR Closed	Yes	Yes	Yes
Front Bumper	Yes	Yes	Yes
Rear Bumper	Black Painted+RR Reflector	Plated+Bumper Corner Painted & RR Reflector	Plated & Bumper corner painted
Radiator Grille	Plated (Chrome)	Material Color (Black)	Plated (Chrome)
Mud Guards	DLX (Front+Rear) ADR	Over fender (F+R) ADR	Front
Front fog and driving lamp	No	Yes	No
Outside rear-view mirror: Convex W/E-Mark	Yes	Yes	Yes
Trailer wiring harness	No	Yes	No
Interior, Comfort and Convenience			
Front Seat	Bench	Separate	Bench
Rear Seat	Transverse & parallel(2X2)	Transverse & parallel(2X2)	Parallel
Seat material	Vinyl	Fabric	Vinyl
Steering column: Tilt, telescopic & collapsible	Yes	Yes	Yes
Power Steering: Integral	Yes	Yes	Yes
Power windows: Auto D-Seat Down only	No	Yes	No
Intermittent rear window washer/wiper	Yes	Yes	No
Intermittent windscreen wipers	Yes	Yes	Yes
Room lamps	Yes	Yes	Yes
Inside rear-view mirror	Yes	Yes	Yes
Cup holders	Yes	Yes	Yes
Glove box	With key	With key	With key
Air conditioner	Yes	Yes	Yes

79 Single Cab Diesel 4.2L	79 Single Cab Diesel 4.2L	79 Double Cab Diesel 4.2L	79 Double Cab Diesel 4.2L
3	3	6	5
HZJ79R-TJMRS (A1)	HZJ79R-TJMRS (B1)	HZJ79R-DKMRS (A1)	HZJ79R-DKMRS (B1)
Engine and Drivetrain			
4,164	4,164	4,164	4,164
5 MT	5 MT	5 MT	5 MT
96 / 3800	96 / 3800	96 / 3800	96 / 3800
285 / 2200	285 / 2200	285 / 2200	285 / 2200
Yes			
22.4 : 1	22.4 : 1	22.4 : 1	22.4 : 1
Yes	Yes	Yes	Yes
Yes	Yes	Yes	Yes
Yes	Yes	Yes	Yes
Dimensions			
5095	5095	5095	5095
1770	1770	1770	1770
1970	1970	1970	1970
3200	3200	3200	3200
235	235	235	235
Wheels and Tyres			
Yes	Yes	Yes	Yes
Yes	Yes	Yes	Yes
Guard frame w/lock	Guard frame w/lock	Guard frame w/lock	Guard frame w/lock
Safety and security			
No	No	No	No
Yes	Yes	Yes	Yes
No	No	D-Side Key Linked	D-Side Key Linked
No	No	Yes	Yes
Body and Styling			
Yes	Yes	Yes	Yes
Steel, Painted	Steel, Painted	Aluminium	Aluminium
Yes	Yes	Yes	Yes
Yes	Yes	Yes	Yes
P/U Black Painted + Step + Licence	No	No	P/U Plated+Step+Licence
Material Color (Black)	Material Color (Black)	Material Color (Black)	Plated (Chrome)
Front	Front and Rear	STD (Front)	STD (Front)
O	No	No	No
Yes	Yes	Yes	Yes
O	Yes	No	No
Interior, Comfort and Convenience			
Bench	Bench	Bench	Separate
Without	Without	Transverse	Transverse
Vinyl	Vinyl	Vinyl	Fabric
Yes	Yes	Yes	Yes
Yes	Yes	Yes	Yes
No	No	No	Yes
No	No	No	No
Yes	Yes	Yes	Yes
Yes	Yes	Yes	Yes
Yes	Yes	Yes	Yes
Yes	Yes	Yes	Yes
Without key	With key	With key	With key
Yes	Yes	Yes	Yes

*Disclaimer: Toyota reserves the right to alter any details of specifications and equipment without prior notice. Details of specifications and equipment are also subject to change to suit local country conditions and requirements. Please inquire with your local dealer for details of such changes. Note: Vehicle picture and specifications detailed in this catalogue may vary from models and equipment available in your country. Vehicle body colour may vary slightly from printed photos in this catalogue.



TOYOTA

Toyota Motor Sales & Marketing Corporation

Distributor details

Name:

Address:

Phone:

Web:

